



HEARTH PRODUCTS

P/N 775,223M REV. C 03/2010



OTL Report No. 050-S-21b-5

**Direct-Vent
EPIC™**

**ELITE™
SERIES**

MODELS

EPIC33/40

The Epic™ Gas Stove is factory equipped for 40,000 BTU input and can be converted to 33,000 using the smaller orifice provided.

REPLACEMENT PARTS - Epic™ 33/40 (EPIC33/40)

Diagram No.	Part No.	Description
1	H3102	Front Door
2	H5835	Burner Support, Right
3	H5834	Burner Support, Left
4	H3137	Burner Pan
5,6,7	H5872	Brick Panel Set
8	H5836	Brick Panel Bracket
10,11	H3124	Heat Exchanger Kit
12,13	H6014	Side Door
14	H5875	Snap Switch
16,17,24,25,26	H6015	Large Relief Door Assembly
18	H6017	Top Cover
19	H5919	Flue Adapter 6-5/8"
20	H5909	Flue Adapter Gasket
22,23,24,25,26	H3127	Relief Door Assembly, Small
27	H3125	Door Latch Assembly
29	H3126	Magnet and Bracket Assembly
30	H6016	Control Door Assembly
32	H3125	Control Door Latch
33	H5969	Flame Control Extension Knob
34	H5968	Pilot Control Extension Knob
35, 37, 38, 50, 51, 52	H3138	Cassette Assembly, NG
	H5942	Gas Control Valve, NG
	H5943	Regulator, NG
	H5945	Regulator, LP
41	H5744	On/Off Switch, Round
42	H5742	Blower Speed Control (rheostat)
43	H5745	Piezo Igniter
44	H5888	Blower
48	H5896	Fitting Bulkhead
49	H5924	Orifice, NG #36, 33,000 BTU
49	H5973	Orifice, NG #31, 40,000 BTU
51	H5922	Pilot Assembly, NG or LP
52	H5907	Cassette Gasket
53,54	H3078	Blower Grill Assembly
55	H3079	A/C Power Plug
	H3077	Power Cord
	H5873	Log Set
	H5863	Bag of Embers (volcanic stone)
	H5864	Bag of Rockwool

Contact an Authorized Lennox Hearth Products dealer to obtain any of these parts. Never use substitute materials. Use of non-approved parts can result in poor performance and safety hazards.

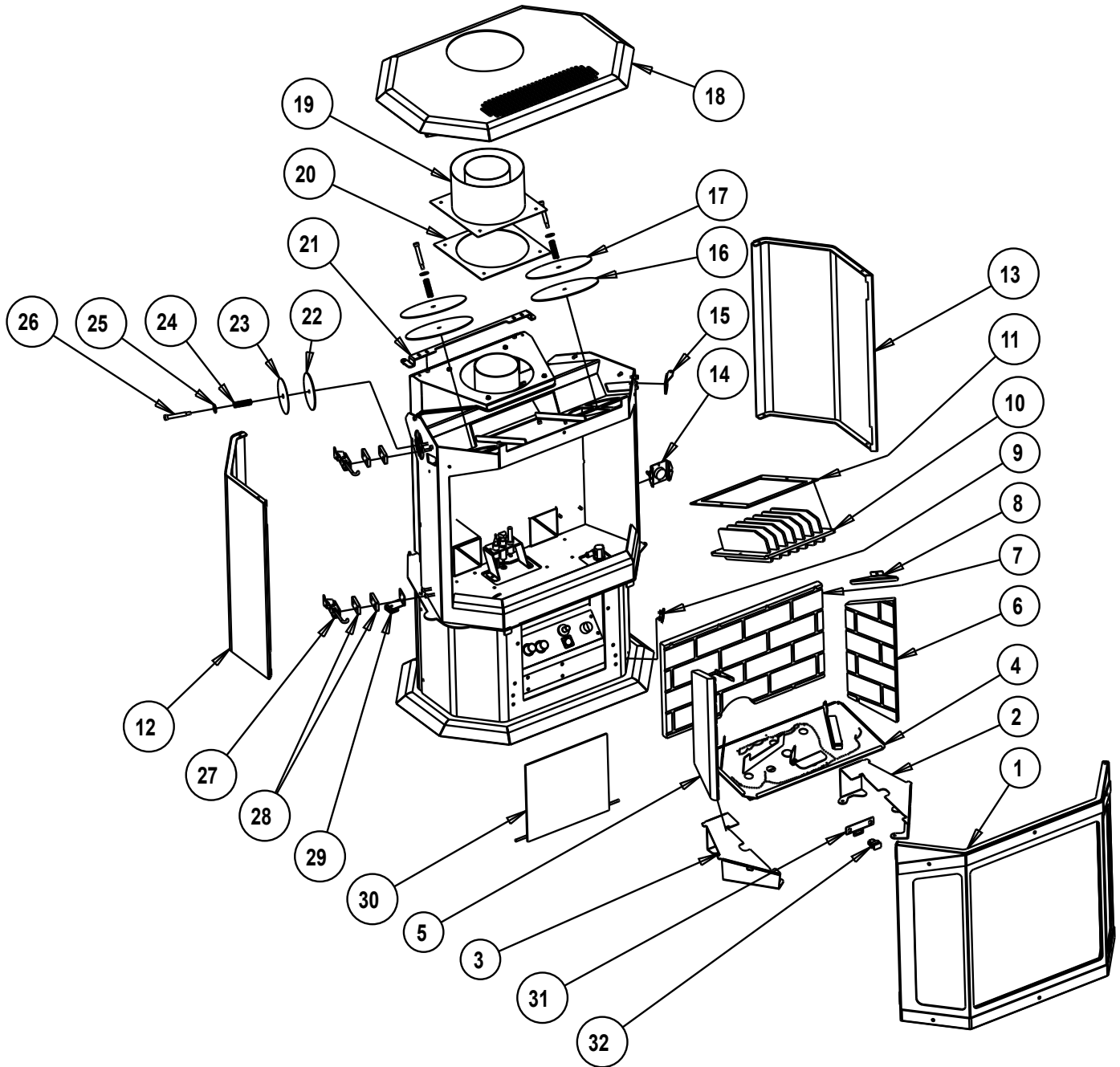
WARNING

Failure to position the parts in accordance with these diagrams or failure to use only parts specifically approved with this appliance may result in property damage or personal injury.

AVERTISSEMENT

Risque de dommages ou de blessures si les pièces ne sont pas installées conformément à ces schémas et ou si des pièces autres que celles spécifiquement approuvées avec cet appareil sont utilisées.

REPLACEMENT PARTS DIAGRAMS - Epic™ 33/40 (EPIC33/40)



NO. DESCRIPTION

- 1 FRONT DOOR
- 2 RIGHT BURNER SUPPORT
- 3 LEFT BURNER SUPPORT
- 4 BURNER PAN / LOG SET
- 5 BRICK PANEL SET
- 6 BRICK PANEL SET
- 7 BRICK PANEL SET
- 8 BRICK PANEL BRACKET
- 9 NAME PLATE
- 10 SHEETMETAL HEATSINK
- 11 HEATSINK GASKET

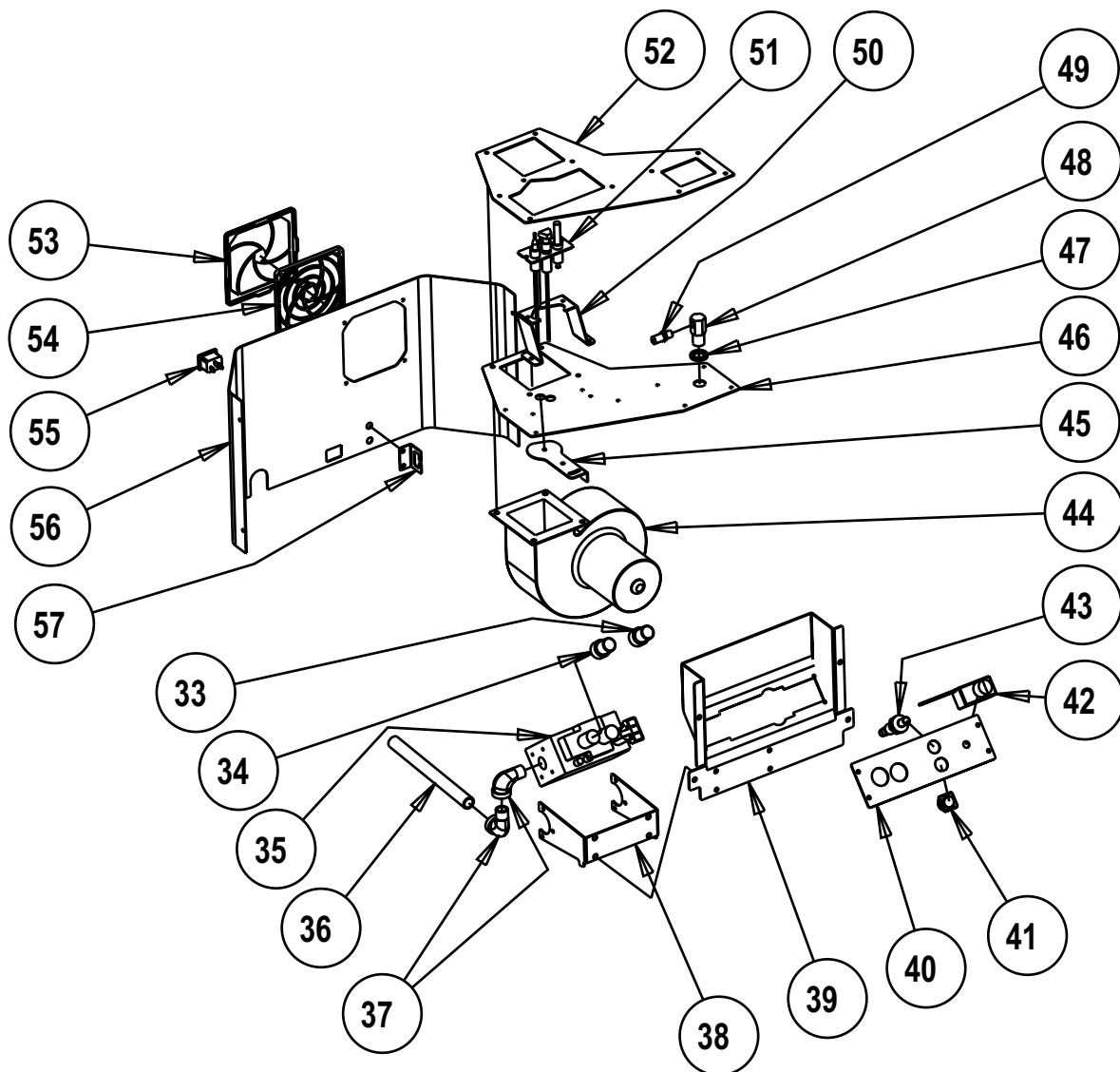
NO. DESCRIPTION

- 12 SIDE DOOR
- 13 SIDE DOOR
- 14 SNAP SWITCH
- 15 TOP HINGE BRACKET
- 16 RELIEF DOOR ASSY. LARGE
- 17 RELIEF DOOR, LARGE
- 18 TOP COVER
- 19 6-5/8" FLUE ADAPTER
- 20 FLUE ADAPTER GASKET
- 21 REAR TOP HINGE
- 22 SMALL RELIEF DOOR GASKET

NO. DESCRIPTION

- 23 SMALL RELIEF DOOR
- 24 SPRING, RELIEF DOOR
- 25 WASHER, RELIEF DOOR
- 26 BOLT, RELIEF DOOR
- 27 DOOR LATCH KIT
- 28 SPACER
- 29 MAGNET AND BRACKET ASSY
- 30 CONTROL DOOR
- 31 CONTROL DR LATCH BRACKET
- 32 CONTROL DOOR LATCH

NOTE: DIAGRAMS & ILLUSTRATIONS ARE NOT TO SCALE.



NO. DESCRIPTION

- 33 FLAME CONTROL EXTENSION
- 34 PILOT CONTROL EXTENSION
- 35 VALVE ASSY.
- 36 BLACK IRON PIPE
- 37 STREET ELBOW
- 38 BRACKET, VALVE
- 39 CONTROL PANEL
- 40 DASHBOARD
- 41 ON/OFF SWITCH
- 42 RHEOSTAT
- 43 PIEZO IGNITER

NO. DESCRIPTION

- 44 BLOWER
- 45 SLIDER WASHER
- 46 CASSETTE PLATE
- 47 BULKHEAD SPACER
- 48 FITTING BULKHEAD
- 49 ORIFICE
- 50 PILOT ASSEMBLY BRACKET
- 51 PILOT ASSEMBLY
- 52 CASSETTE GASKET
- 53 FAN GRILL COVER
- 54 FAN GRILL MOUNT

NO. DESCRIPTION

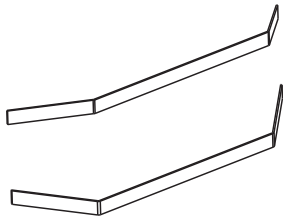
- 55 AC POWER PLUG
- 56 PEDESTAL BACK
- 57 THERMO. OUTLET BRACKET

NOTE: DIAGRAMS & ILLUSTRATIONS ARE NOT TO SCALE.

ACCESSORIES

Trim Kits Kits Include: Matching Trim for Glass (Upper and Lower)

(ref. form #775291M)



Cat. No.	Model	Description
75348	EPIC-TRIM-B	Black Trim
75349	EPIC-TRIM-G	Gold Trim
75350	EPIC-TRIM-BN	Brushed Nickel Trim
75351	EPIC-TRIM-BKN	Black Nickel Trim

Touch-Up Paint Kit



70K99	TSPK-B	Touch-Up Paint, Metallic Black (12 oz aerosol)
-------	--------	--

NOTE: The form numbers referenced are the part numbers of the instruction sheets included in kits.

Controls



Wall
Thermostat



Remote
Control

70005	RT-AC	Remote Thermostat AC (ref. form #775280M)
H0251	RCL-STAT	Remote Control, Deluxe Thermostat DC, (ref. form #750129M)
H4635	DWTK	Wall Thermostat, Digital

Gas Conversion Kits



Cat. No.	Model	Description
75355	EPIC-CK-LP to NG	Conversion Kit LP to NG (ref. form #775235M)
75352	EPIC-CK-NG to LP	Conversion Kit NG to LP (ref. form #775244M)

Vent Parts List

Direct vent pipe Security™ Secure Vent™ * may be used with the Epic™ gas stove. Please see the lists below to verify the components available from each direct-vent pipe manufacturer. Snorkel terminations are available for applications which may require vertical rise on the building exterior. The components listed below come in a galvanized finish. Most of the components are also available in a painted black finish. Add a "B" to the end of the part number when ordering if a black part is desired.

Security™ Secure Vent 6-5/8" x 4" Pipe

<u>Part Number</u>	<u>Description</u>
SV4LC	6" Pipe Length
SV4L12	12" Pipe Length
SV4L24	24" Pipe Length
SV4L36	36" Pipe Length
SV4L48	48" Pipe Length
SV4LA	6" Pipe, Adjustable
SV4LA12	12" Pipe, Adjustable
SV4FA	Flashing, 1/12 to 6/12 Roof Pitch
SV4FB	Flashing, 7/12 to 12/12 Roof Pitch
SV4RSM	Wall Radiation Shield
SV4E46	45° Elbow
SV4E90	90° Elbow
SV4VS	Vinyl Shield Protector
SV4FC	Storm Collar
SV4CGV	Vertical Termination Cap
SV4BF	Firestop
SV4CHC	Horizontal Termination Cap
SV4STC36	Snorkel Termination Cap (36")
SV4STC14	Snorkel Termination Cap (14")
SV4BM	Wall Band

Simpson Dura-Vent GS 6-5/8" x 4" Pipe

<u>Part Number</u>	<u>Description</u>
908	6" Pipe Length
907	9" Pipe Length
906	12" Pipe Length
904	24" Pipe Length
903	36" Pipe Length
902	48" Pipe Length
911	11" to 14-5/8" Pipe, Adjustable
942	Wall Thimble
940	Rnd Support Box/Wall Thimble Cover
941	Cathedral Ceiling Support Box
943	Flashing, 0/12 to 6/12 Roof Pitch
943S	Flashing, 7/12 to 12/12 Roof Pitch
945	45° Elbow
990	90° Elbow
950	Vinyl Siding Standoff
953	Storm Collar
963	Ceiling Firestop
988	Wall Strap
981	Snorkel Termination (36")
982	Snorkel Termination (14")
984	Horizontal Termination Cap
985	Horizontal Termination Cap (High Wind)
980	Vertical Termination Cap
991	Vertical Termination Cap (High Wind)

* Other approved chimney brand is Simpson Dura-Vent DV-GS.

NOTE: DIAGRAMS & ILLUSTRATIONS ARE NOT TO SCALE.