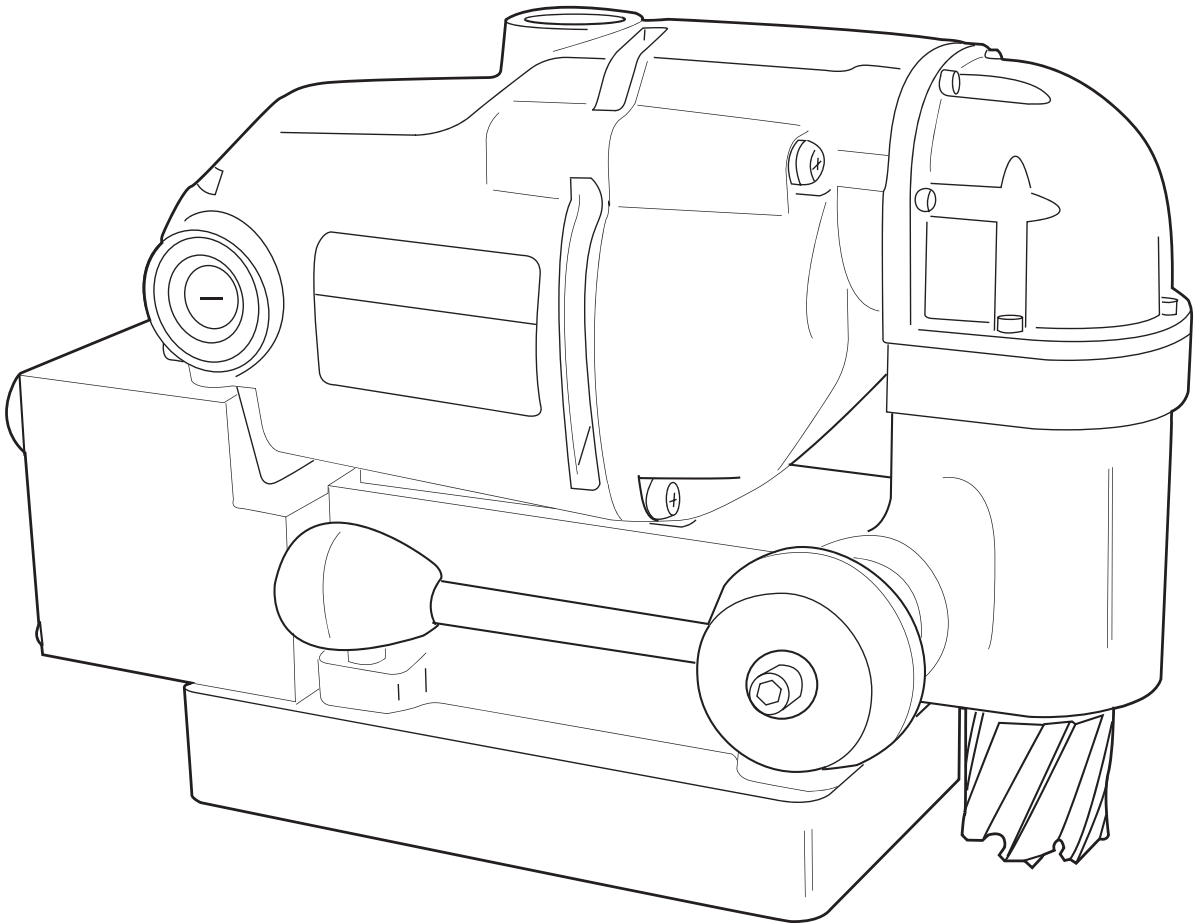


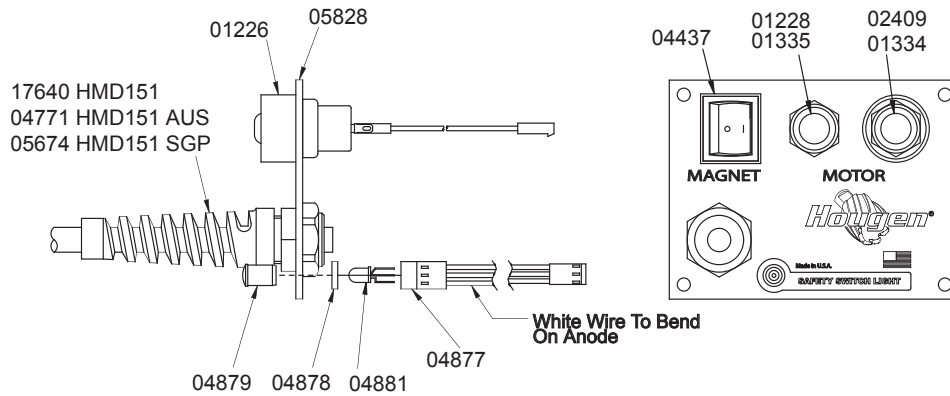
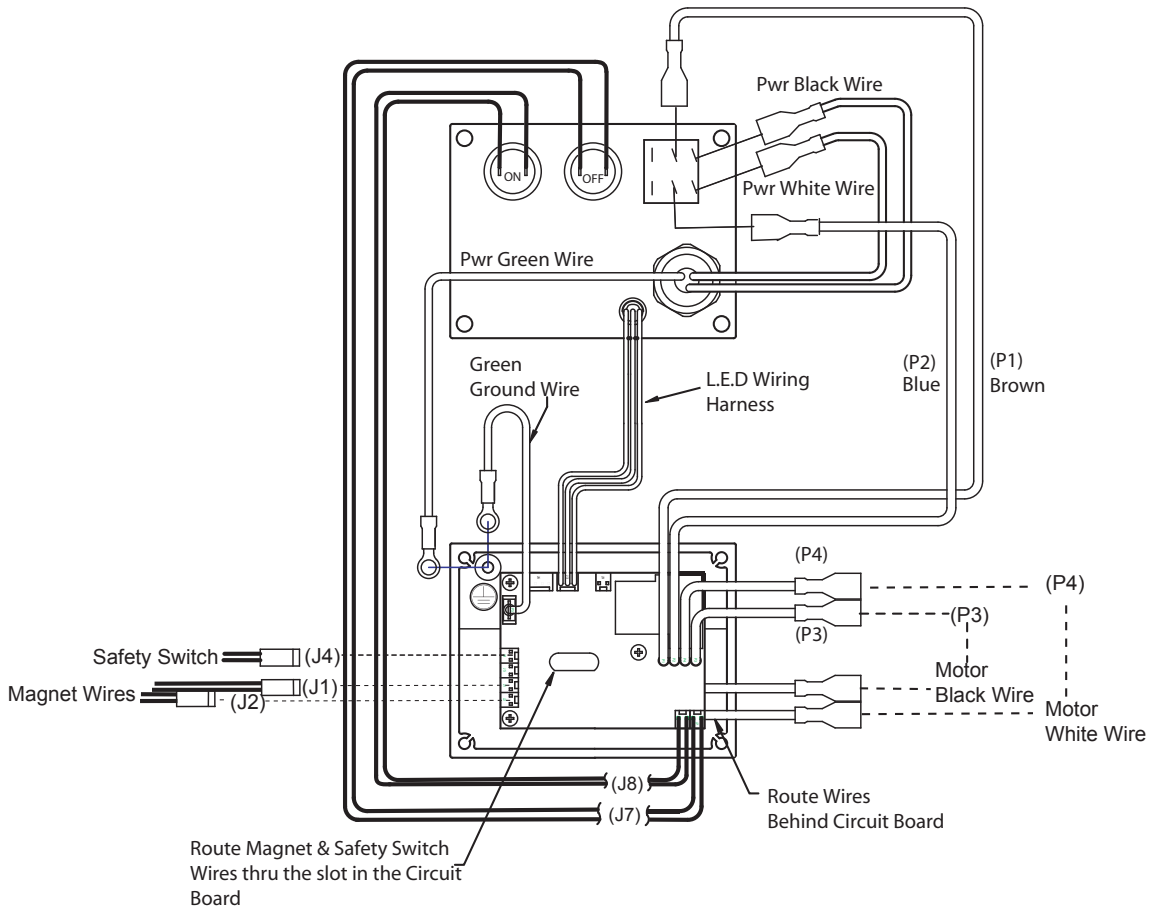


**HMD151, HMD151(AUS),
HMD151SGP
PORTABLE MAGNETIC DRILLS
OPERATOR'S MANUAL**



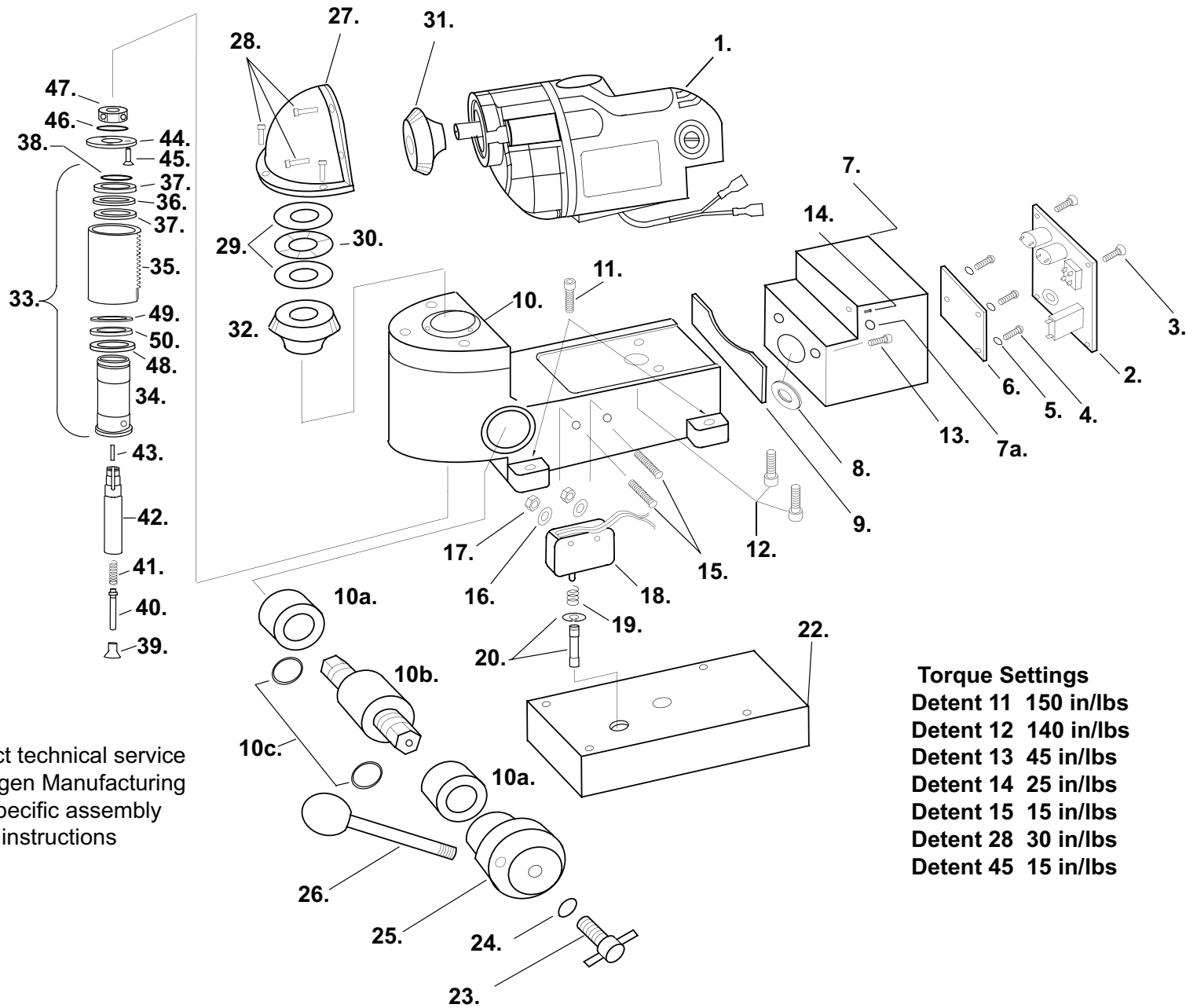
FOR USE WITH ROTALOC PLUS[™] CUTTERS

CONTROL PANEL /HOOKUP DIAGRAM



PART #	DESCRIPTION	QTY	PART #	DESCRIPTION	QTY
01226	Switch Guard	1	04879	L.E.D Lens	1
01228	Red Switch Cover	1	04881	L.E.D Bulb	1
01334	Motor ON Switch	1	05674	Power Cord (SGP)	1
01335	Motor OFF Switch	1	05827	Circuit Board	1
02409	Green Switch Cover	1	05828	Faceplate	1
04437	Rocker Switch 230V	1	17640	Power Cord	1
04771	Power Cord (AUS)	1	17693	Faceplate Assy	1
04877	L.E.D Wire Harness	1	17694	Faceplate Assy-AUS	1
04878	Spacer	1	17695	Faceplate Assy-SGP	1

HMD151 DRILL PARTS DIAGRAM



Contact technical service
@ Hougen Manufacturing
for specific assembly
instructions

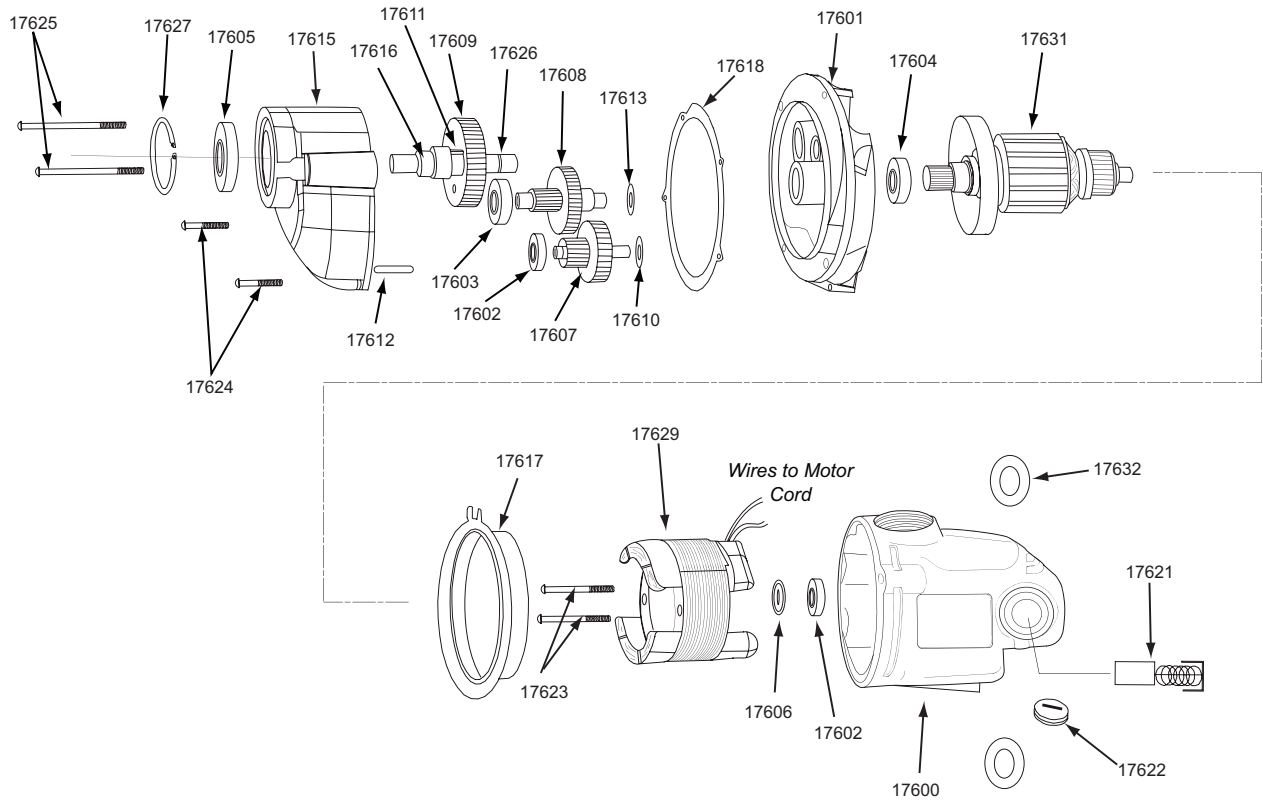
Torque Settings

Detent 11	150 in/lbs
Detent 12	140 in/lbs
Detent 13	45 in/lbs
Detent 14	25 in/lbs
Detent 15	15 in/lbs
Detent 28	30 in/lbs
Detent 45	15 in/lbs

HMD151 PARTS LIST

Item #	Part #	Description	Qty	Item #	Part #	Description	Qty
1	17519	Motor Assy	1	23	17291	Screw SHC M6-1	1
2	17693	Faceplate Assy	1	24	90027	Washer SAE Flat	1
	17694	Faceplate Assy Aus Model	1	25	17282	Feed Hub Assy	1
	17695	Faceplate Assy Sgp Model	1	26	17283	Feed Handle Assy	1
3	24153	Self Tapping Screw	4	27	17510	Gear Cap Assy	1
4	02547	Screw Phillips #4-40	3	28	17002	Screw SHC #6-32	7
5	10714	Washer Lock #4 Ext	3	29	17517	Thrust Washer	2
6	05827	Circuit Board	1	30	17516	Thrust Bearing	1
7	17691	Electrical Box Assy	1	31	17502	Gear Left Hand	1
7A	17557	Ground Label	1	32	17278	Gear Right Hand	1
8	17274	Grommet	1	33	17646	Quill & Arbor Assy	1
9	17293	Motor Seal	1	34	17649	Arbor Assy	1
10	17279	Housing Assy	1	35	17647	Quill Assy	1
10a	17495	Bronze Bushing	2	36	17546	Thrust Washer Bronze	1
10b	17298	Feed Gear	1	37	17547	Thrust Washer Steel	2
10c	40546	O-Ring	2	38	04720	Retaining Ring Left Hand	1
11	10553	Screw SHC 1/4-20	4	39	17493	Screw Flat Head Mod.	1
12	75096	Screw SHC M6 x 20mm	2	40	17494	Plunger	1
13	75094	Screw SHC M5 x 12mm	2	41	17492	Compression Spring	1
14	04439	Screw BHS #10-32	1	42	17280	Splined Shaft	1
15	17476	SCR BHC Safety Torx	2	43	17277	Key 1/8" Square	1
16	90052	Washer Lock #6 Ext	2	44	17289	Washer Bearing Retaining	1
17	40374	Nut Hex #6-32	2	45	04718	Screw Pan Phillips	3
18	04885	Safety Switch	1	46	17475	Retaining Ring	1
19	17271	Taper Spring	1	47	17270	Ball Bearing	1
20	17462	Plunger	1	48	17643	Thrust Washer Shield	1
21	17275	Ring Retaining E Clip	1	49	17644	Thrust Washer	1
22	17651	Magnet	1	50	17645	Thrust Needle Bearing	1

Motor Diagram and Parts List



Part #	Description	Qty	Part #	Description	Qty
02413	Motor Cord	1	17612	Dowel Pin	1
04502	Brush Cover	2	17613	Flat Washer	1
10538	Washer #8	1	17615	Gear Housing	1
11053	BHS Screw #8-32	1	17616	Spindle	1
17294	Label, Motor	1	17617	Fan Guide	1
17537	Label, Motor Safety	1	17618	Gasket	1
17600	Field Case	1	17621	Carbon Brush (Pair)	1
17601	Gear Housing	1	17622	Brush Cap	2
17602	Ball Bearing	2	17623	Pan Head Screw	2
17603	Ball Bearing	1	17624	Pan Head Screw Short	2
17604	Ball Bearing	1	17625	Pan Head Screw Long	2
17605	Ball Bearing	1	17626	Retaining Ring	1
17606	Dust Seal	1	17627	Retaining Ring	1
17607	1st Inter. Gear Assy	1	17629	Field	1
17608	2nd Inter. Gear Assy	1	17631	Armature	1
17609	Spur Gear	1	17632	Paper Washer	2
17610	Flat Washer	1	17687	Lock Washer Heli M6	4
17611	Key	1	75150	Lock Washer Heli M5	2
			75289	Pan Head Screw	2

Rotaloc™ Series of Cutters for the HMD151

The ROTALOC PLUS™ cutters are made specifically for the HMD151. They are equipped with 5/8" tool-less bayonet-style twist and lock shank. The Rotaloc Cutters are manufactured for 19.2mm / 3/4" D.O.C. The Rotaloc Plus Cutters are manufactured for 25mm / 1" D.O.C.

19.2mm / 3/4" - D.O.C. ROTALOC™ CUTTERS STACK CUT GEOMETRY

PART #	SIZE	PART #	SIZE
17116	1/2"	17300	12mm
17118	9/16"	17302	13mm
17120	5/8"	17304	14mm
17122	11/16"	17306	15mm
17124	3/4"	17308	16mm
17126	13/16"	17310	17mm
17128	7/8"	17312	18mm
17130	15/16"	17314	19mm
17132	1"	17316	20mm
17134	1-1/16"	17318	21mm
17100	PILOT	17320	22mm
		17322	23mm
		17324	24mm
		17325	24.5mm
		17326	25mm
		17328	26mm
		17329	26.5mm
		17330	27mm
		17100	PILOT

25mm / 1" - D.O.C. ROTALOC PLUS™ CUTTERS STANDARD GEOMETRY CUTTERS

PART #	SIZE	PART #	SIZE
17216	1/2"	17400	12mm
17218	9/16"	17402	13mm
17220	5/8"	17404	14mm
17222	11/16"	17406	15mm
17224	3/4"	17408	16mm
17226	13/16"	17410	17mm
17228	7/8"	17412	18mm
17230	15/16"	17414	19mm
17232	1"	17416	20mm
17234	1-1/16"	17418	21mm
17236	1-1/8"	17420	22mm
17238	1-3/16"	17422	23mm
17240	1-1/4"	17424	24mm
17242	1-5/16"	17425	24.5mm
17244	1-3/8"	17426	25mm
17470	PILOT	17428	26mm
		17429	26.5mm
		17430	27mm
		17432	28mm
		17434	29mm
		17436	30mm
		17438	31mm
		17440	32mm
		17442	33mm
		17444	34mm
		17446	35mm
		17470	PILOT