



HEARTH PRODUCTS

P/N 506023-01 Rev. D 04/2012

WHAT'S INSIDE

Table of Contents 2

Safety and Your Fireplace 2

FREE Safety Guard Offer (Protects Against Burns) 2

Important Safety Information 4

[EN FRANÇAIS] L'information de sûreté importante 3-4

[EN ESPAÑOL] Información importante de seguridad. 3-4

Manufacturer: Focal Point Fires plc. United Kingdom

This is an unvented gas-fired heater. It uses air (oxygen) from the room in which it is installed. Provisions for adequate combustion and ventilation air must be provided. Refer to *Combustion and Ventilation Air* section in this manual.

This appliance may be installed in an aftermarket permanently located, manufactured (mobile) home, where not prohibited by local codes. This appliance is only for use with the type of gas indicated on the rating plate. This appliance is not convertible for use with other gases.

! WARNING / AVERTISSEMENT / AVISO

- HOT GLASS WILL CAUSE BURNS.
- DO NOT TOUCH GLASS UNTIL COOLED.
- NEVER ALLOW CHILDREN TO TOUCH GLASS.



- UNE SURFACE VITRÉE CHAUDE PEUT CAUSER DES BRÛLURES.
- LAISSER REFROIDIR LA SURFACE VITRÉE AVANT D'Y TOUCHER.
- NE PERMETTEZ JAMAIS À UN ENFANT DE TOUCHER LA SURFACE VITRÉE.
- EL VIDRIO CALIENTE CAUSARÁ QUEMADURAS.
- USTED DEBE NUNCA TOCAR EL VIDRIO CALIENTE.
- LOS NIÑOS DEBEN NUNCA TOCAR EL VIDRIO.

WARNING: If the information in these instructions is not followed exactly, a fire or explosion may result causing property damage, personal injury or death.

- Do not store or use gasoline or other flammable vapors and liquids in the vicinity of this or any other appliance.
- **WHAT TO DO IF YOU SMELL GAS**
 - Do not try to light any appliance.
 - Do not touch any electrical switch; do not use any phone in your building.
 - Immediately call your gas supplier from a neighbor's phone. Follow the gas supplier's instructions.
 - If you cannot reach your gas supplier, call the fire department.
- Installation and service must be performed by a qualified installer, service agency or the gas supplier.

INSTALLATION AND OPERATION INSTRUCTIONS

Catalytic Vent-Free Fireplaces
X-FIRES™ 1000 Models



MODELS

X-FIRES 1000-NG and X-FIRES 1000-LP



OTL Report No. 317-F-10-5



INSTALLER: Leave this manual with the appliance.

CONSUMER: Retain this manual for future reference.

INSTALLATEUR : Laissez cette notice avec l'appareil.

CONSOMMATEUR : Conservez cette notice pour consultation ultérieure.



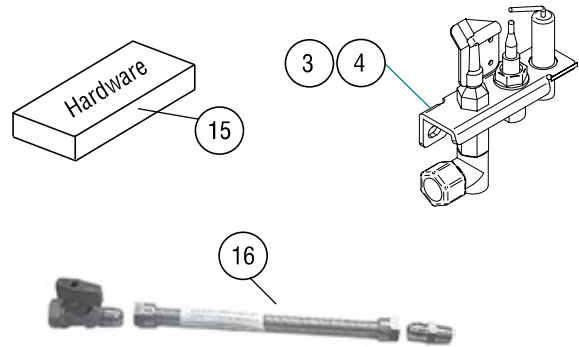
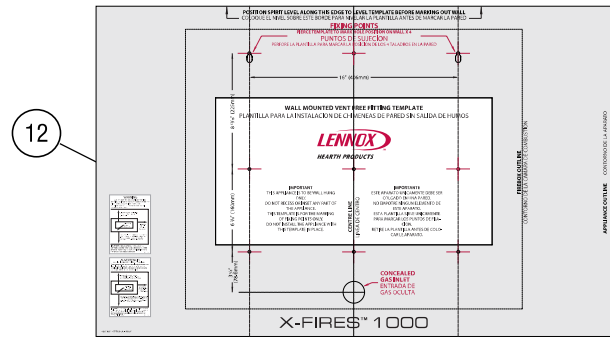
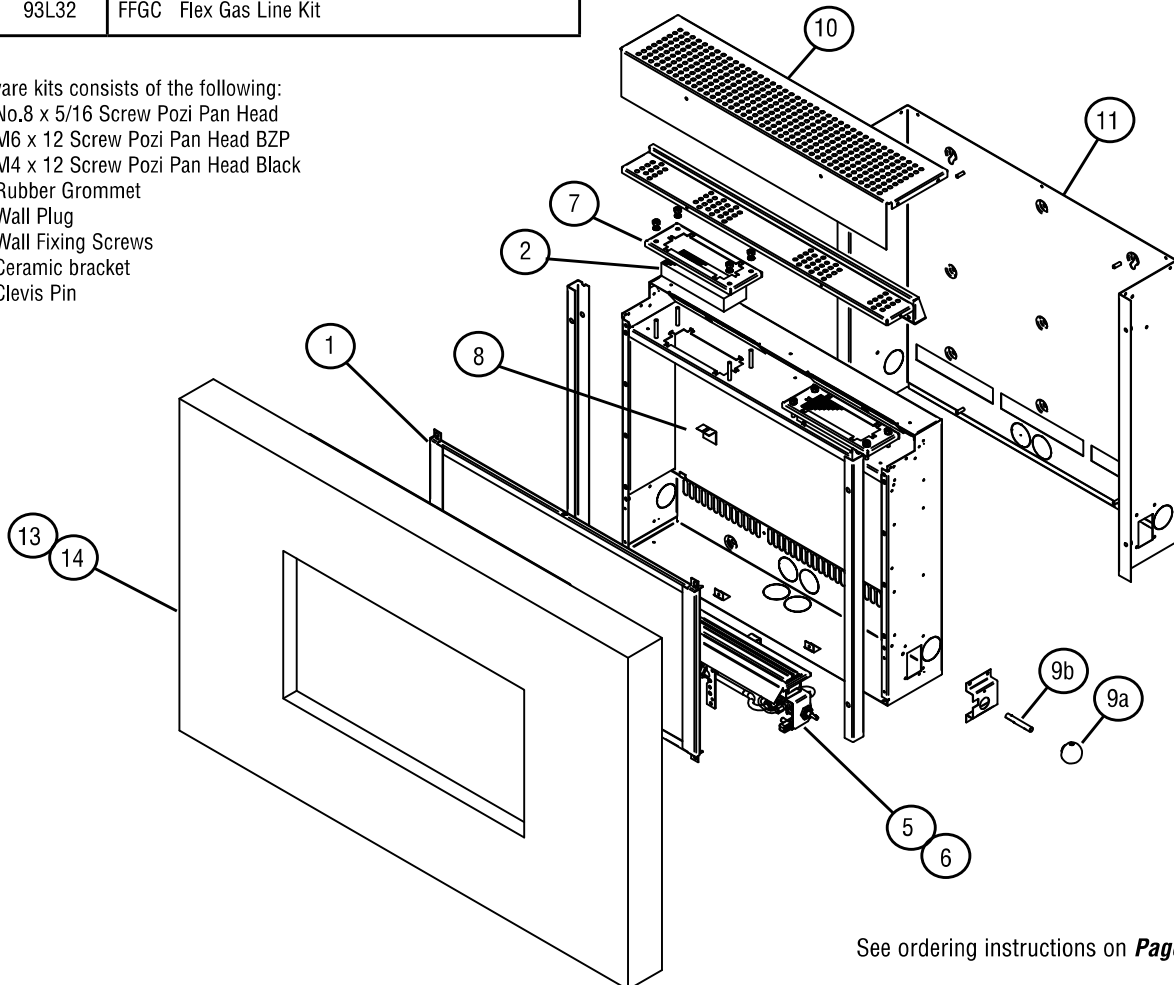
AVERTISSEMENT: Assurez-vous de bien suivre les instructions données dans cette notice pour réduire au minimum le risque d'incendie ou d'explosion ou pour éviter tout dommage matériel, toute blessure ou la mort.

- Ne pas entreposer ni utiliser d'essence ni d'autres vapeurs ou liquides inflammables dans le voisinage de cet appareil ou de tout autre appareil.
- **QUE FAIRE SI VOUS SENTEZ UNE ODEUR DE GAZ:**
 - Ne pas tenter d'allumer d'appareil.
 - Ne touchez à aucun interrupteur. Ne pas vous servir des téléphones se trouvant dans le bâtiment où vous trouvez.
 - Appelez immédiatement votre fournisseur de gaz depuis un voisin. Suivez les instructions du fournisseur.
 - Si vous ne pouvez rejoindre le fournisseur de gaz, appelez le service des incendies.
- L'installation et l'entretien doivent être assurés par un installateur ou un service d'entretien qualifié ou par le fournisseur de gaz.

REPLACEMENT PARTS - X-FIRES™ 1000

Replacement Parts		
Item #	Cat. No.	Description
1	H6055	Glass Door Assembly
2	H6060	Catalyst
3	H6061	Pilot Assembly, Natural Gas
4	H6999	Pilot Assembly, Propane Gas
5	H7315	Burner Assembly, Natural Gas
6	H7317	Burner Assembly, Propane Gas
7	H6062	Catalyst Gasket
8	H7325	Large Back Glass
9a	H7002	Ball Knob
9b	H7041	Knob Spindle
10	H7328	Top Grill
11	H7313	Back Wrapper / Mounting Plate
12	H7318	Fitting Template
13	H7226	X-FIRES 1000-L, Limestone Surround
14	H7227	X-FIRES 1000-G, Granite Surround
15	H7006	Hardware Kit 1
Optional Parts		
16	93L32	FFGC Flex Gas Line Kit

- 1** Hardware kits consists of the following:
- 6 ea. No.8 x 5/16 Screw Pozi Pan Head
 - 6 ea. M6 x 12 Screw Pozi Pan Head BZP
 - 6 ea. M4 x 12 Screw Pozi Pan Head Black
 - 1 ea. Rubber Grommet
 - 4 ea. Wall Plug
 - 4 ea. Wall Fixing Screws
 - 2 ea. Ceramic bracket
 - 2 ea. Clevis Pin

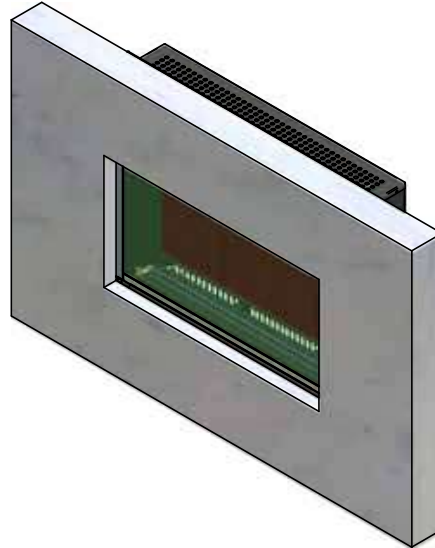


See ordering instructions on **Page 24**

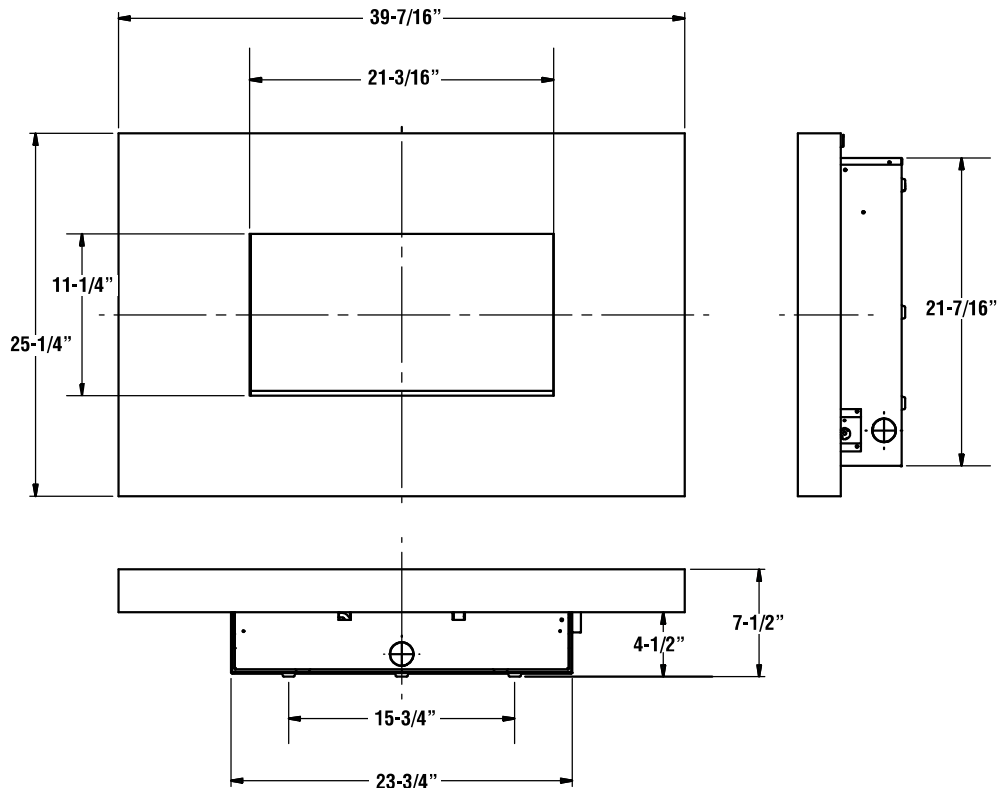
ACCESSORIES - X-FIRES™ 1000

SPECIFICATIONS

Product Reference Information			
Cat. No.	Model	Ship. Wt.	Ship. Volume
H7222	X-FIRES 1000-NG	46 lb.	3.31 cu. ft.
H7223	X-FIRES 1000-LP	46 lb.	3.31 cu. ft.



Surround Specifications



Note: Limestone and Granite are natural products and therefore each piece will have its own unique character with no two pieces being quite the same.

X-FIRES 1000 Surround Kits				
Cat. No.	Model	Description	Ship. Wt.	Ship. Volume
H7226	X-FIRES 1000-L	Limestone Surround	55 lb.	4.58 cu. ft.
H7227	X-FIRES 1000-G	Granite Surround	55 lb.	4.58 cu. ft.

(ref. form # 506019-24)

NOTE: DIAGRAMS & ILLUSTRATIONS ARE NOT TO SCALE