



HIGH PRESSURE

KOSHIN HIGH PRESSURE PUMP



SERM-50V

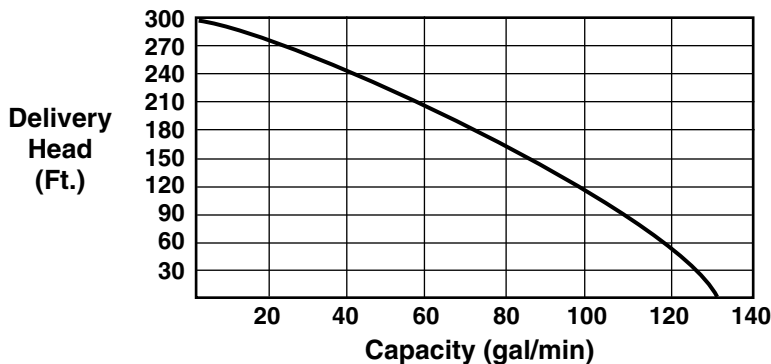
Features

- Powerful, high RPM Mitsubishi OHV engine with low oil sensor.
- Only 75 lbs. due to die cast aluminum.
- Cast iron impeller and volute are wear resistant.
- Full roll cage frame protects pump and engine with vibration isolator.
- Pumps up to 295 feet head or 132 gpm.

Applications

- To power sprinkling systems, irrigation.
- Remote area fire fighting.
- Washing down equipment.
- Pushing water long distances or to great heights.

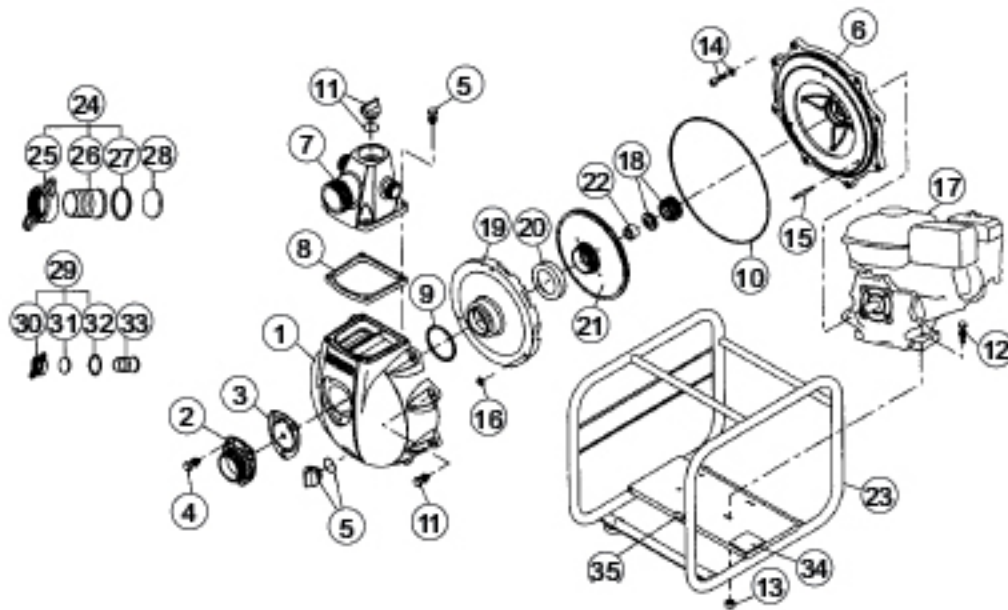
Performance



Specifications

Model	SERM-50V
Suction	2"
Discharge Size	(1) 2" / (2) 1"
Maximum Capacity	7920 GPH
Maximum Head	295'
Max. Suction Lift	26'
Maximum PSI	127 PSI
Engine Type	Mitsubishi GM182
Displacement	181 cc
Horsepower	6.0 HP
Fuel Tank Capacity	1.0 GAL
Continuous Operation	2.0 HRS
Dry Weight	75 lb

Distributed by:



**2" HIGH PRESSURE
MITSUBISHI GM182 6.0 HP**

REF NO.	PART NO.	DESCRIPTION	QTY.
1	0120393	PUMP CASING	1
2	0120408	SUCTION FLANGE	1
3	0120398	CHECK VALVE	1
4	743119045	HEXAGON BOLT M8 x 20	3
5	0118078	20A PLUG SET	2
6	0120396	FLANGE BRACKET	1
7	0120409	DELIVERY FLANGE	1
8	0120399	DELIVERY FLANGE PACKING	1
9	889855056	O-RING P56	1
10	0115016	O-RING 1517-51.5	1
11	743119047	HEXAGON BOLT M8 x 25	12
12	743119053	HEXAGON BOLT M8 x 40	4
13	827419008	HEXAGON NUT M8	4
14	0120437	HEXAGON SOCKET BOLT + SEAL WASHER M8 x 60	4
15	0120438	STUD BOLT M6 x 46 (12/12)	3
16	0120439	PLATE SPRING WASHER M6	3
17		ENGINE	

REF NO.	PART NO.	DESCRIPTION	QTY.
18	0120389	MECHANICAL SEAL ϕ 20	1
19	0120390	VOLUTE CASING	1
20	0120397	WEAR RING	1
21	0117990	IMPELLER ASSEMBLY	1
22	0120448	IMPELLER BUSHING	1
23	0117992	BASE SET	1
24	0128078	COUPLING SET (50)	1
25	0120629	COUPLING	1
26	0112453	HOSE NIPPLE	1
27	0110766	COUPLING PACKING	1
28	0120486	CHECK PLATE (50)	1
29	0128078	CHECK COUPLING SET (25)	2
30	0110422	COUPLING	2
31	0120485	CHECK PLATE (25)	2
32	0110192	COUPLING PACKING	2
33	0110423	HOSE NIPPLE	2
34		NAME PLATE	1
35	0120471	RUBBER PLATE	1



KOSHIN PUMP

HIGH PRESSURE PUMPS