

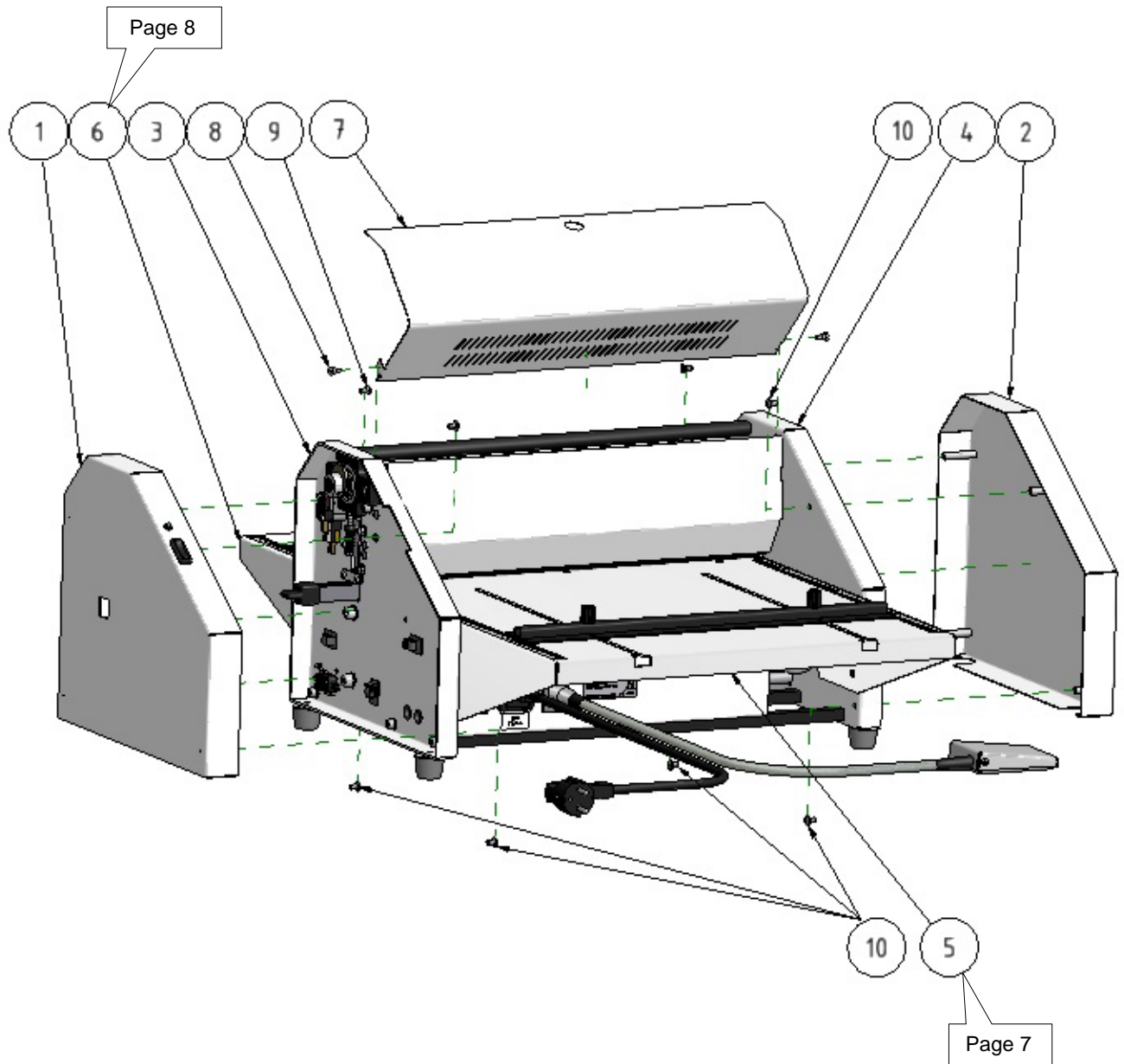


## GoCrease 4000

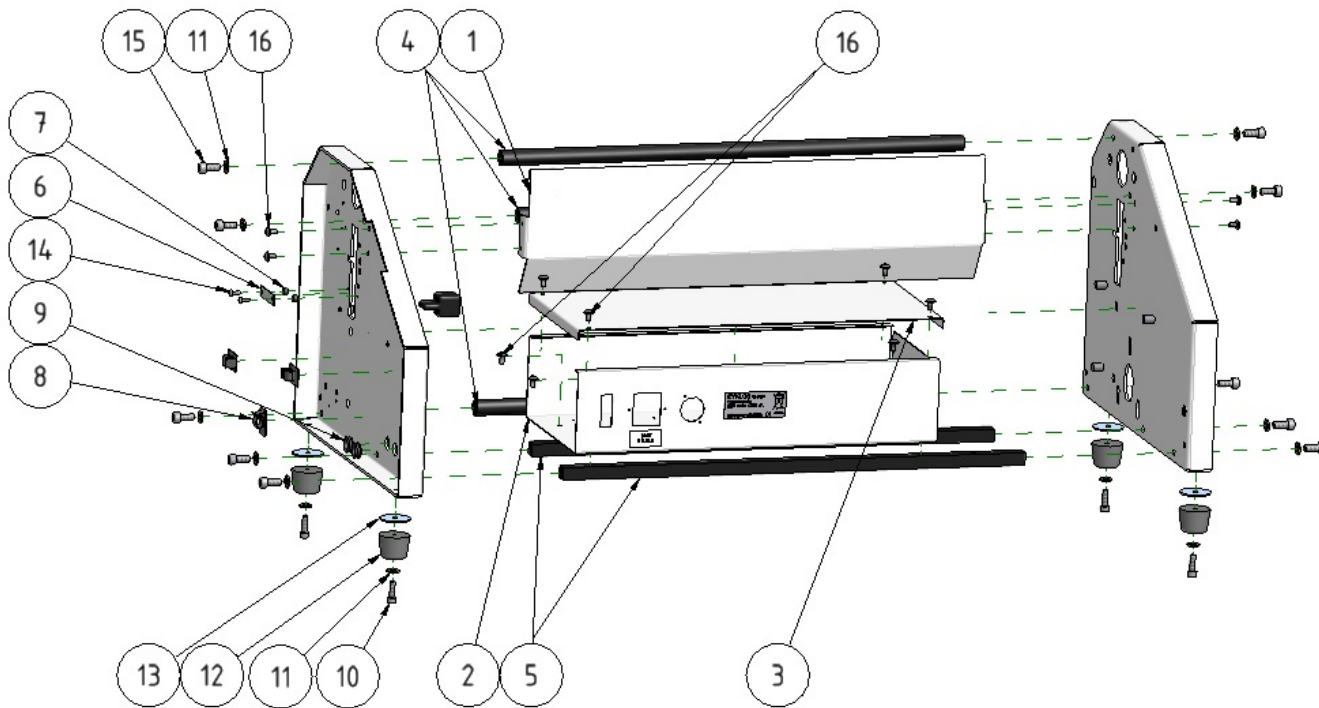
Valid from serial number 16093323

### Warning

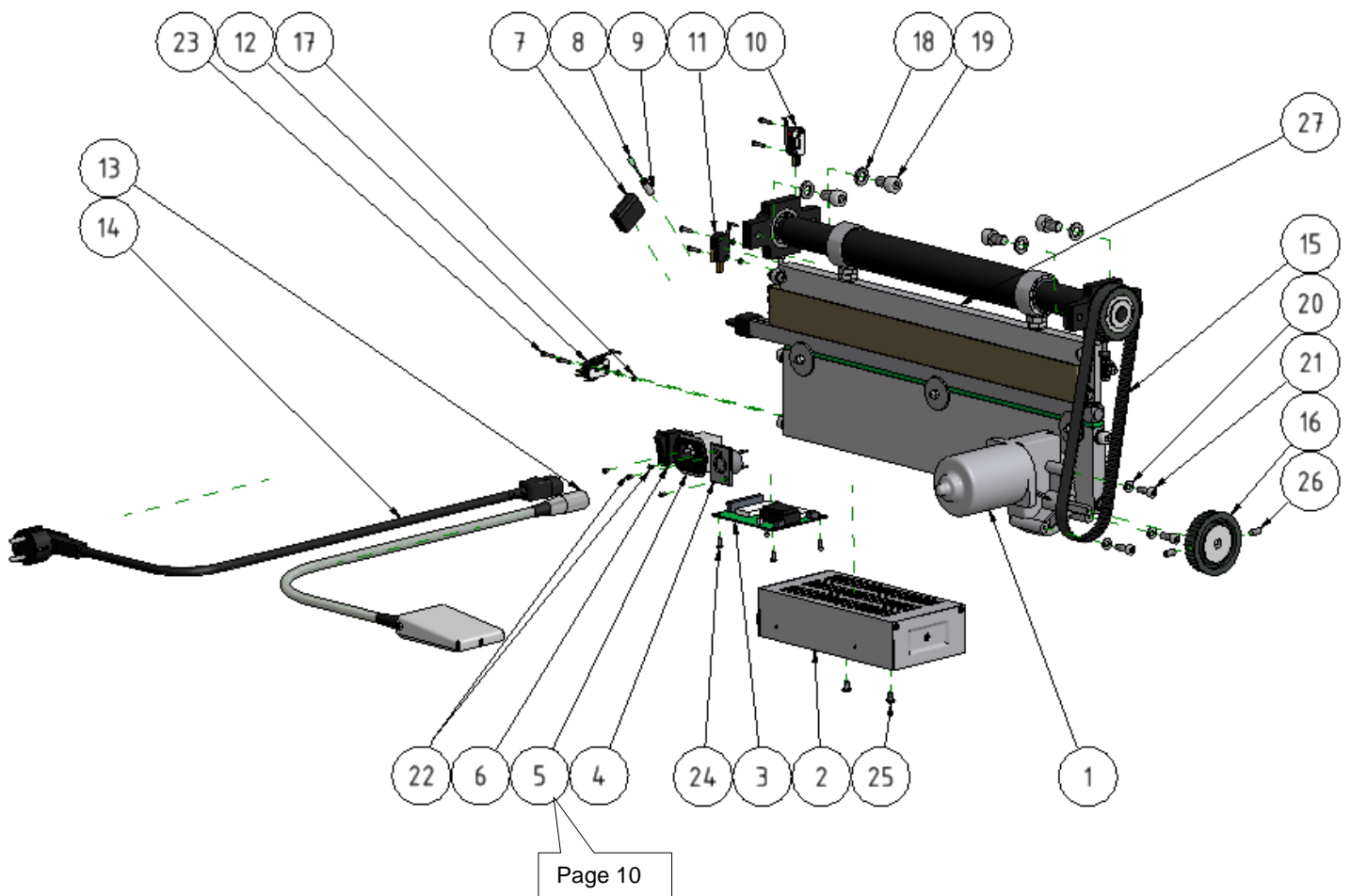
This document including the attachments is exclusive intellectual property of Cyklos Choltice (producer cooperative). Any other use (copying, distribution or sale) is possible only with approval of the chairman of the cooperative.



GoCrease 4000 - PART 1				
Pos.	Pcs	Catalogue Number	Name	
1	1	560 59 325	Left cover	
2	1	560 39 854	Right cover	
3	1	560 39 856	Left Sideboard	
4	1	560 39 857	Right sideboard	
5	1	Page 7	Front table	
6	1	Page 8	Back table	
7	1	560 59 326	Hinged cover	
8	2	309 22 332/2	Screw M4x4x6 DO DIN 923	
9	2	309 11 155/2	Screw M5x10 K - BN 3333	
10	6	309 17 260/2	Screw M5x8 KP- BN 4825	

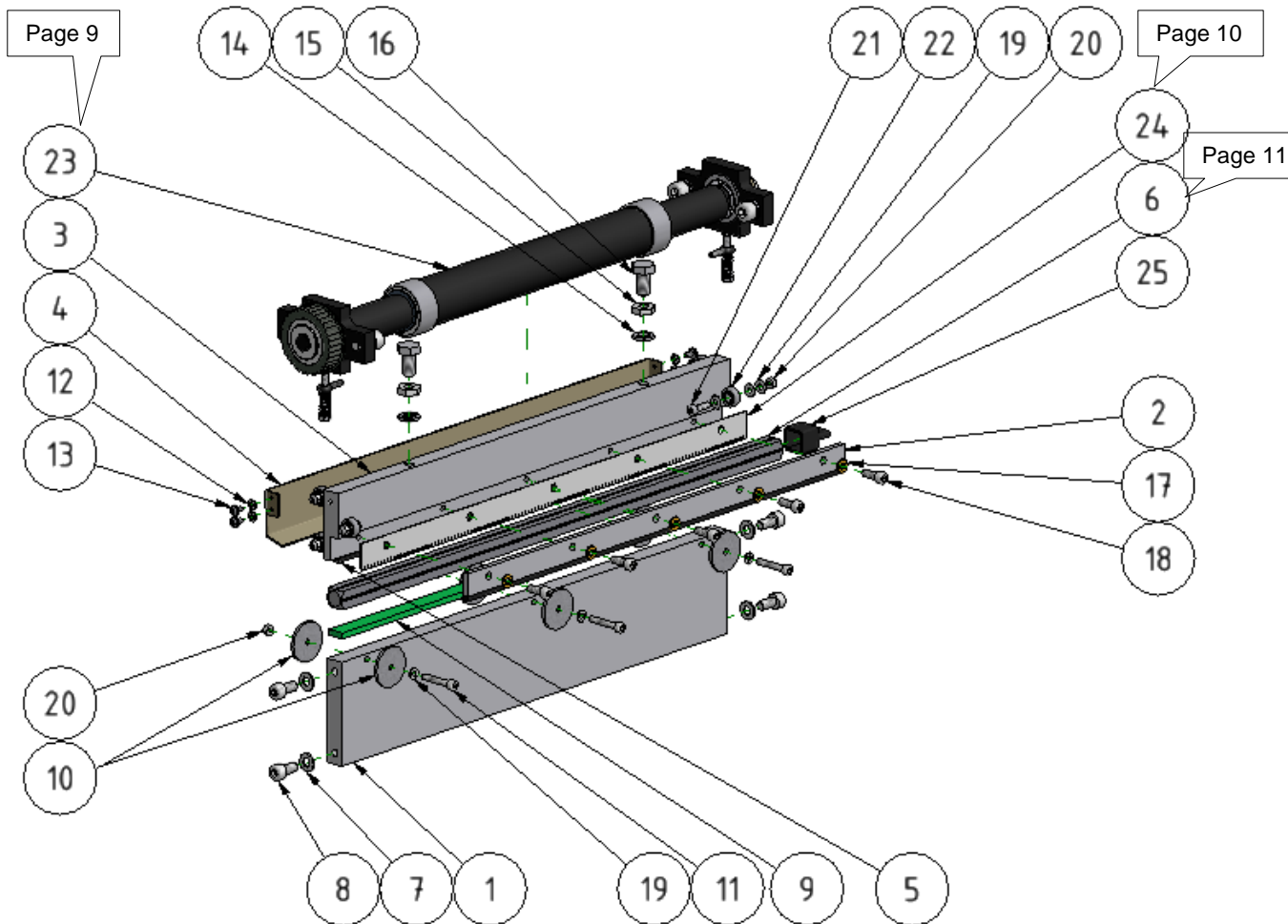


GoCrease 4000 - PART 2				
Pos.	Pcs	Catalogue Number	Name	
1	1	560 46 868	Fixed cover	
2	1	560 55 390	Cover of power supply	
3	1	560 55 391	Top of power supply	
4	3	560 22 639	Fixed axis	
5	2	560 22 634	Crossbar 4	
6	1	560 55 575	Stop	
7	2	321 00 299/0	Column	
8	3	345 00 239/0	Adhesive fastener AP0810	
9	2	345 00 249/0	Bushing KDF10	
10	4	309 10 305/2	Screw M5x16 VS	
11	4	311 21 414/2	Washer 6,4 DIN 125- 1A	
12	4	273 00 002/0	Rubber foot	
13	4	311 29 682/2	Washer 5,3x30x1,5	
14	2	309 11 264/2	Screw M3x8 K- DIN 7985	
15	10	309 10 186/2	Screw M6x14 VS	
16	8	309 09 229/2	Screw M4x8 KP- BN 4825	



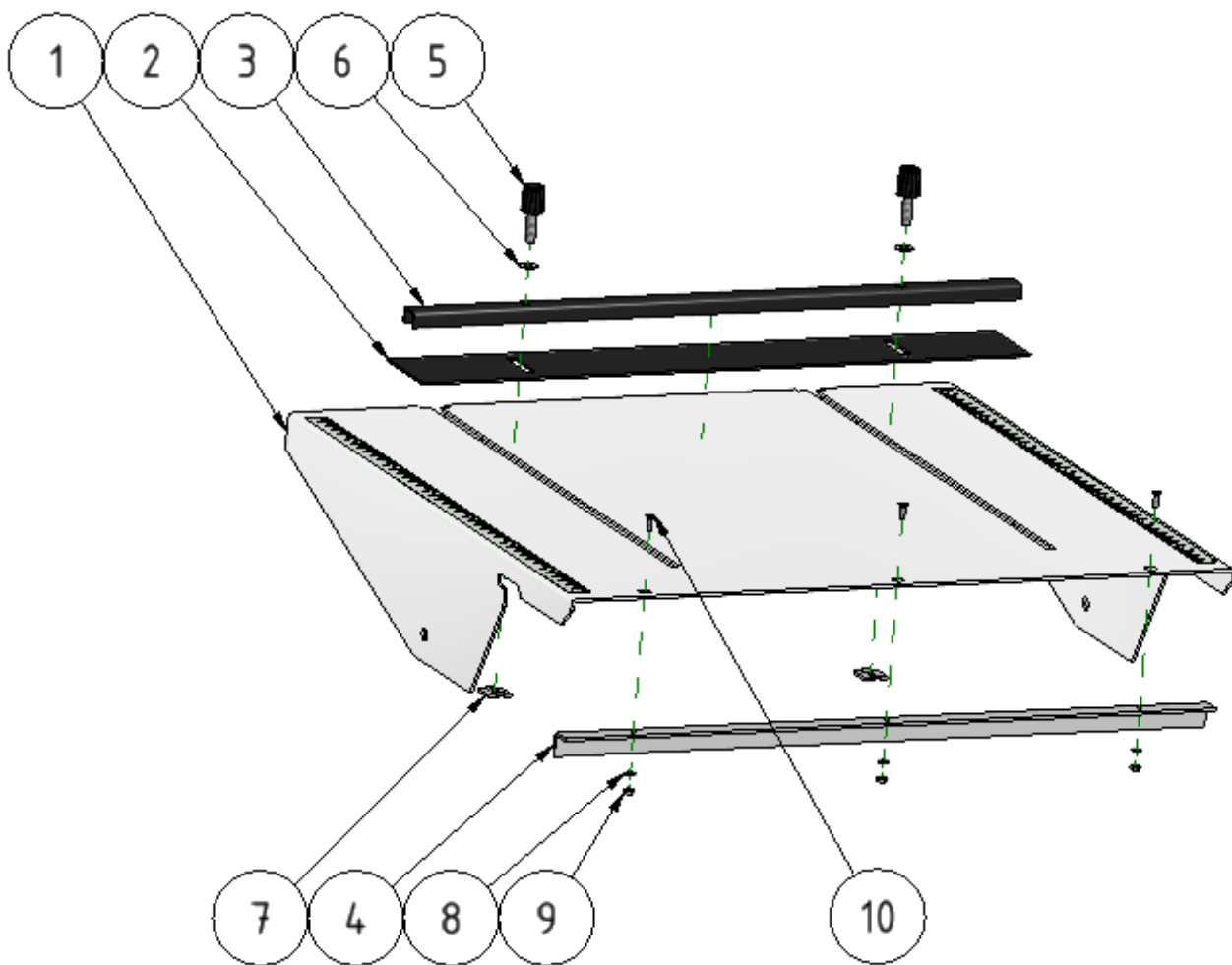
<b>GoCrease - PART 3</b>				
<b>Pos.</b>	<b>Pcs</b>	<b>Catalogue Number</b>	<b>Name</b>	
1	1	560 48 724	<b>Motor of creasing</b>	
2	1	344 00 004/0	Power supply SP 200	
3	1	374 80 022/0	PC Board	
4	1	345 50 211/0	Outlet of the pedal	
5	1	Page 10	Socket GSI FAS	
6	1	345 30 145/0	Switch P-C 1510	
7	1	345 00 146/0	Cradle switch P-C 1501	
8	1	373 20 011/0	LED	
9	1	373 20 012/0	LED holder	
10	1	345 30 149/0	Micro switch P-B180F	
11	1	230 38 458	Micro switch -modified	
12	1	220 38 362	Micro switch - modified	
13	1	560 40 157	Pedal	
14	1	345 00 226/0	Electric cord 863077/N5-3-2/2	
15	1	272 00 018/0	Belt HTD 600-5M-15	
16	1	560 49 905	Belt pulley 4 (teeth=40)	

17	4	321 00 191/0	Small washer	
18	4	311 28 419/2	Washer 10	
19	4	309 10 334/2	Screw M10x16 VS	
20	3	311 21 414/2	Washer 6,4 DIN 125-1A	
21	3	309 04 063/2	Screw M6x20 S	
22	4	309 11 175/2	Screw M3x6 K	
23	6	309 11 243/2	Screw M3x14 VS- BN 3334	
24	4	309 11 331/0	Distance column 463794 MOSS	
25	2	309 09 229/2	Screw M4x8 KP- BN 4825	
26	2	309 05 308/2	Adjusting screw M6x12 VS	
27	1	Page 5	Block A	

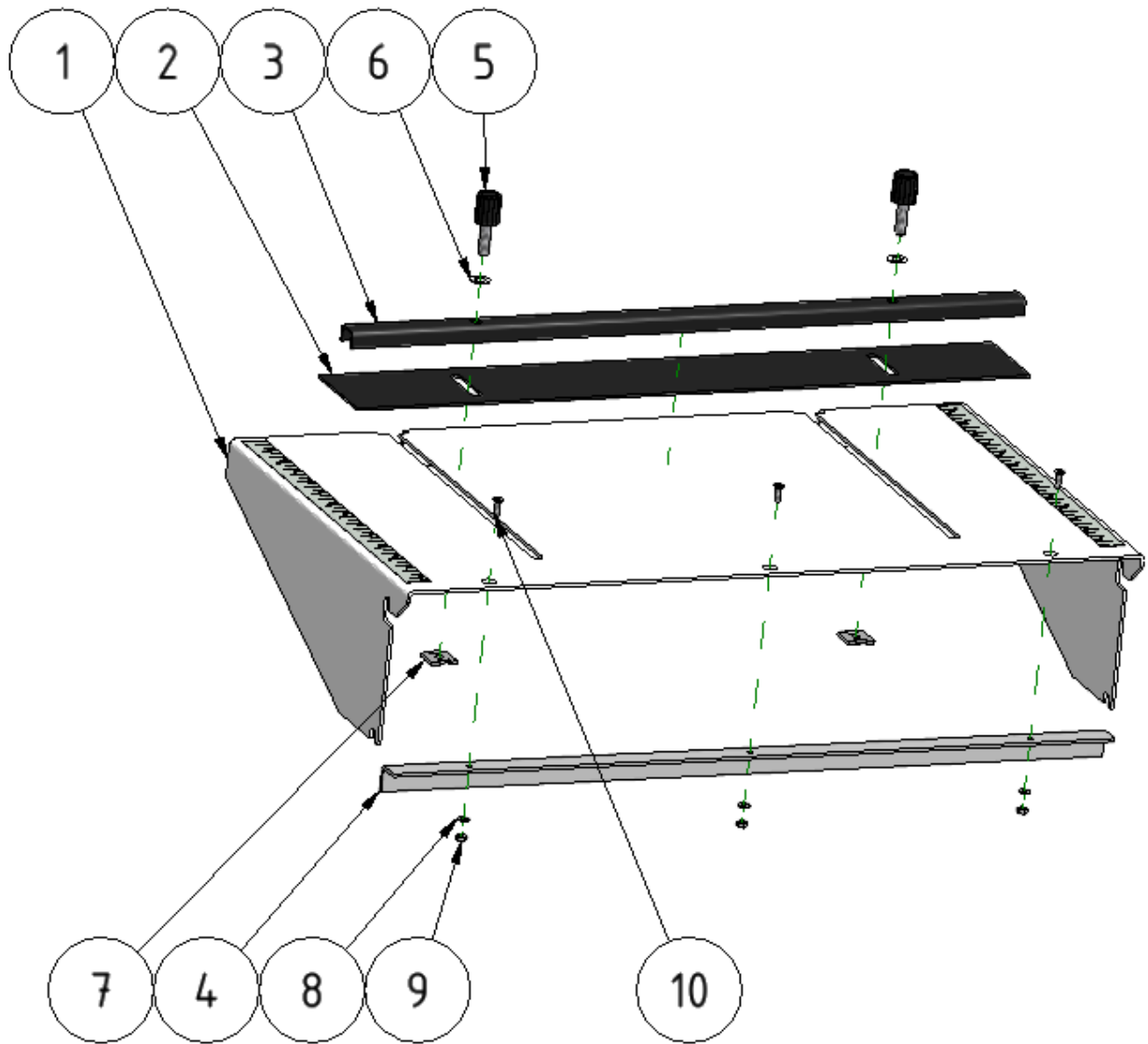


BLOCK A				
Pos.	Pcs	Catalogue Number	Name	
1	1	560 36 360	Bar	
2	1	560 36 359	Clamp	
3	1	560 36 361	Ram	
4	1	560 36 448	Guidance sheet	
5	2	<b>701 00 006/0</b>	<b>Self-adhesive moss 4x5x450</b>	
6	1	page 11	<b>Lower creasing-perforating tool CITO</b>	
7	4	311 21 409/2	Washer 8,4 DIN 125-1A	
8	4	309 10 262/2	Screw M8x16 VS	
9	1	<b>722 00 010/0</b>	<b>Green washer 458x15x5</b>	
10	6	560 36 400	Washer	
11	3	309 10 306/0	Screw M5x30 VSO	
12	4	311 21 412/2	Washer 4,3 DIN 125-1A	
13	4	309 09 229/2	Screw M4x8 DIN 967	
14	2	311 28 419/2	Spring washer 10	
15	2	311 14 672/2	Nut M10x1 DIN 439	
16	2	309 04 030/2	Screw M10x1x20 S DIN 961	

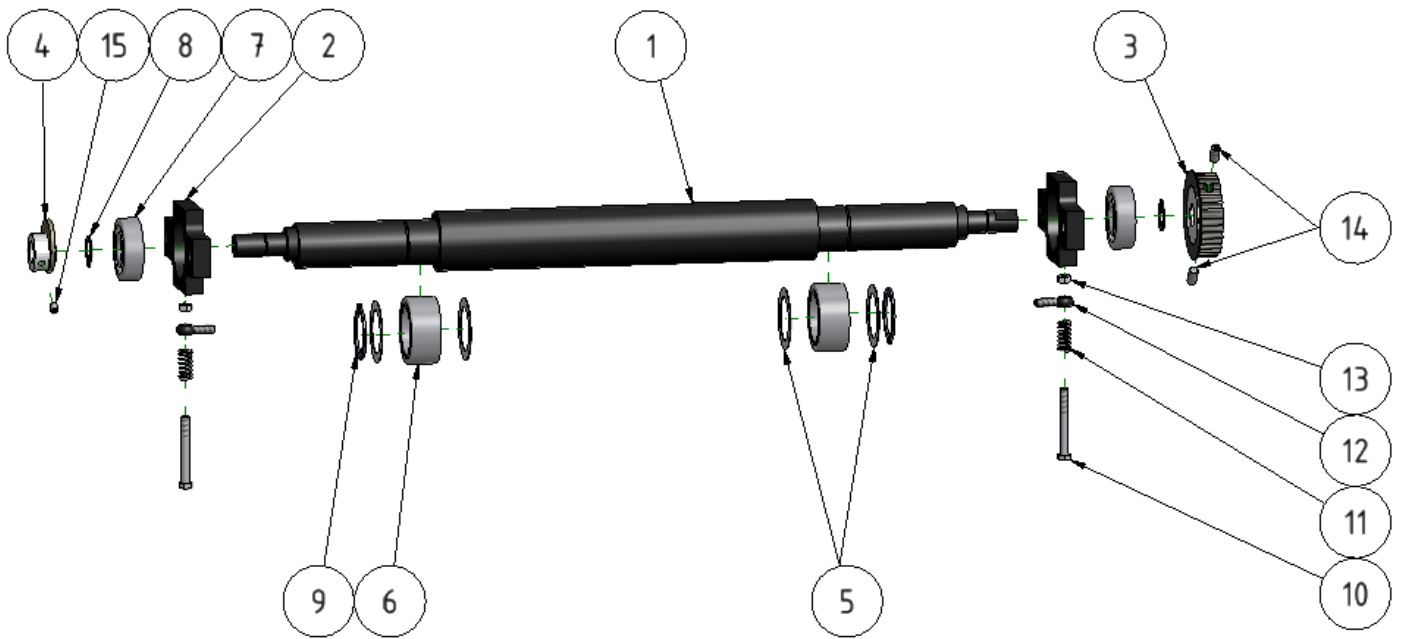
17	5	311 21 414/2	Washer 6,4 DIN 125-1A	
18	5	309 10 182/0	Screw M6x16 VS	
19	21	311 21 407/2	Washer 5,3 DIN 125-1A	
20	9	311 11 377/2	Nut M5 DIN 934	
21	6	309 10 305/2	Screw M5x16 VS	
22	6	324 00 004/0	Single-row ball bearing 625	
23	1	Page 9	Eccentric shaft	
24	1	Page 10	Creasing blade R0,5 / Perforating blade 2:1	
25	1	321 00 332/0	Covering	



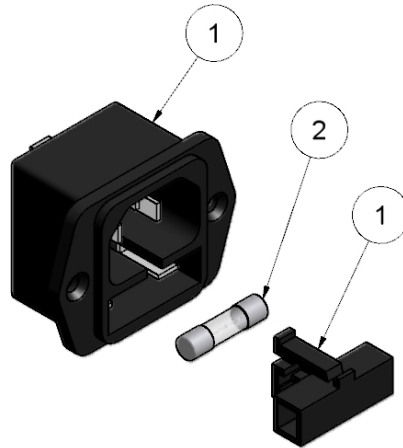
Front table				
Pos.	Pcs	Catalogue Number	Name	
1	1	560 46 888	Front base	
2	1	560 36 367	Flat stop	
3	1	560 36 366	Stop „U“	
4	1	560 36 405	Square	
5	2	544 29 697	Set screw	
6	2	212 28 020	Washer PH	
7	2	544 26 674	Nut	
8	3	311 21 406/5	Washer 3,2 DIN 125-1A	
9	3	311 11 384/2	Nut M3 DIN 934	
10	3	309 10 319/2	Screw M3x10 VS DIN 9771	



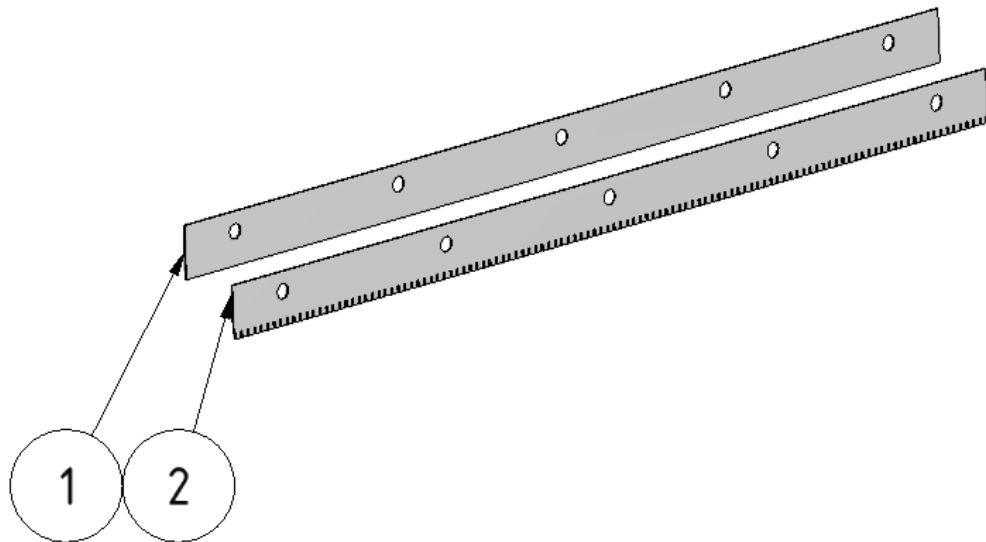
Back table				
Pos.	Pcs	Catalogue Number	Name	
1	1	560 46 887	Back base	
2	1	560 36 367	Flat stop	
3	1	560 36 366	Stop „U“	
4	1	560 36 405	Square	
5	2	544 29 697	Set Screw	
6	2	212 28 020	Washer PH	
7	2	544 26 674	Nut	
8	3	311 21 406/5	Washer 3,2 DIN 125-1A	
9	3	311 11 384/2	Nut M3 DIN 934	
10	3	309 10 319/2	Screw M3x10 VS DIN 9771	



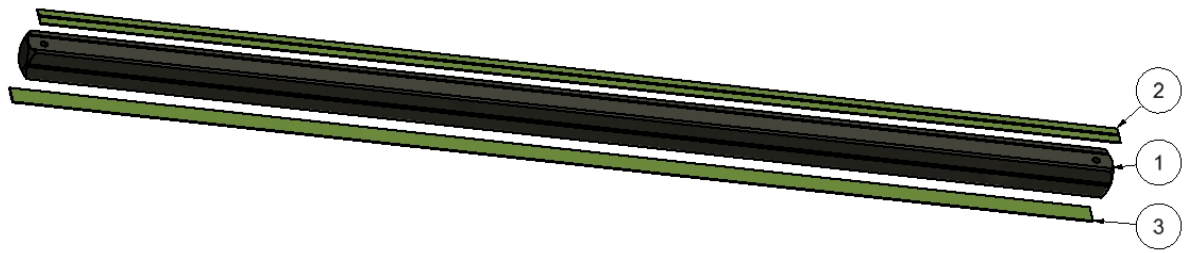
560 23 585 Eccentric shaft assembled				
Pos.	Pcs	Catalogue Number	Name	
1	1	560 23 585	Eccentric shaft	
2	2	560 36 358	Bearing support	
3	1	560 49 019	Belt pulley 3 (teeth=36)	
4	1	560 39 879	Cam assembled	
5	4	311 21 381/0	Washer 30x42x0,5	
6	2	324 00 053/0	Needle bearing NKI 30/20	
7	2	311 43 673/0	Retaining ring 30	
8	2	311 11 377/2	Nut M5	
9	2	560 48 095	Screw modified M5x25	
10	2	315 70 178/0	Compression spring	
11	2	309 04 329/2	Screw M5x45 SO	
12	2	324 00 052/0	Single-row ball bearing 6302-2RS	
13	2	311 43 683/0	Retaining ring 15	
14	1	309 05 075/0	Adjusting screw M6x8 VS	
15	2	309 05 308/2	Adjusting screw M6x12 VS	



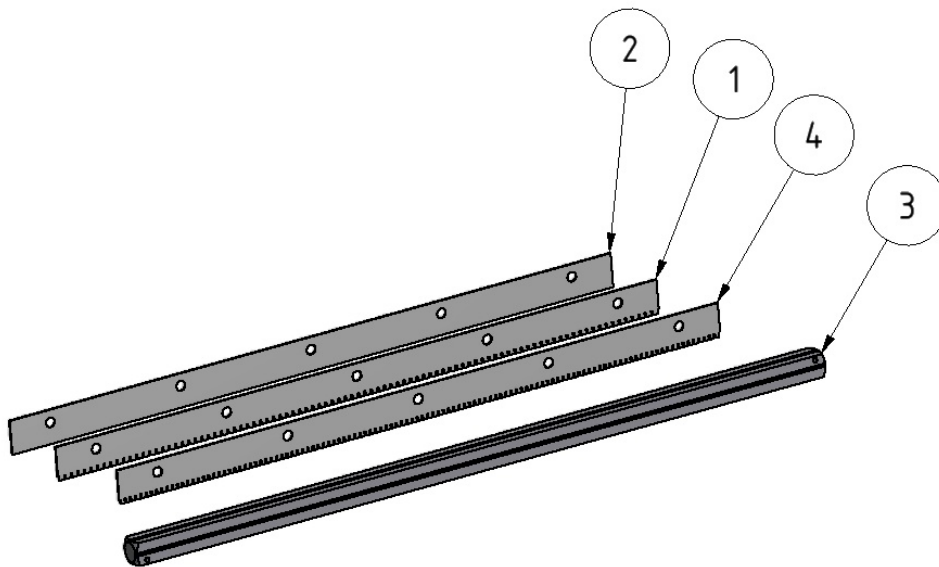
Board socket GSI FAS				
Pos.	Pcs	Catalogue Number	Name	
1	1	345 50 209/0	Socket	
2	1	371 80 008/0	Tube fuse T5A/250V	



Blades				
Pos.	Pcs	Catalogue Number	Name	
1	1	570 48 215	Creasing blade R0,5	
2	1	570 48 211	Perforating blade 2:1	



570 49 972 Lower creasing-perforating tool CITO				
Pos.	Pcs	Catalogue Number	Name	
1	1	570 33 186	Creasing-perforating tool (without CITO rubbers)	
<b>2</b>	<b>1</b>	<b>570 48 899</b>	<b>CITO DYNAMIC 1x0,5</b>	
<b>3</b>	<b>1</b>	<b>570 48 900</b>	<b>CITO DYNAMIC 1,4x0,5</b>	



GoCrease 4000 - optional equipment				
Pos.	Pcs	Catalogue Number	Name	
1	1	570 48 212	Perforating blade 4:1	
2	1	560 48 087	Creasing knife R0,7	
3	1	570 23 674	Lower creasing-perforating tool/metal channels	
4	1	560 48 088	Perforating blade 3:1	

Note: Recommended spare parts are highlighted as **BOLD**.