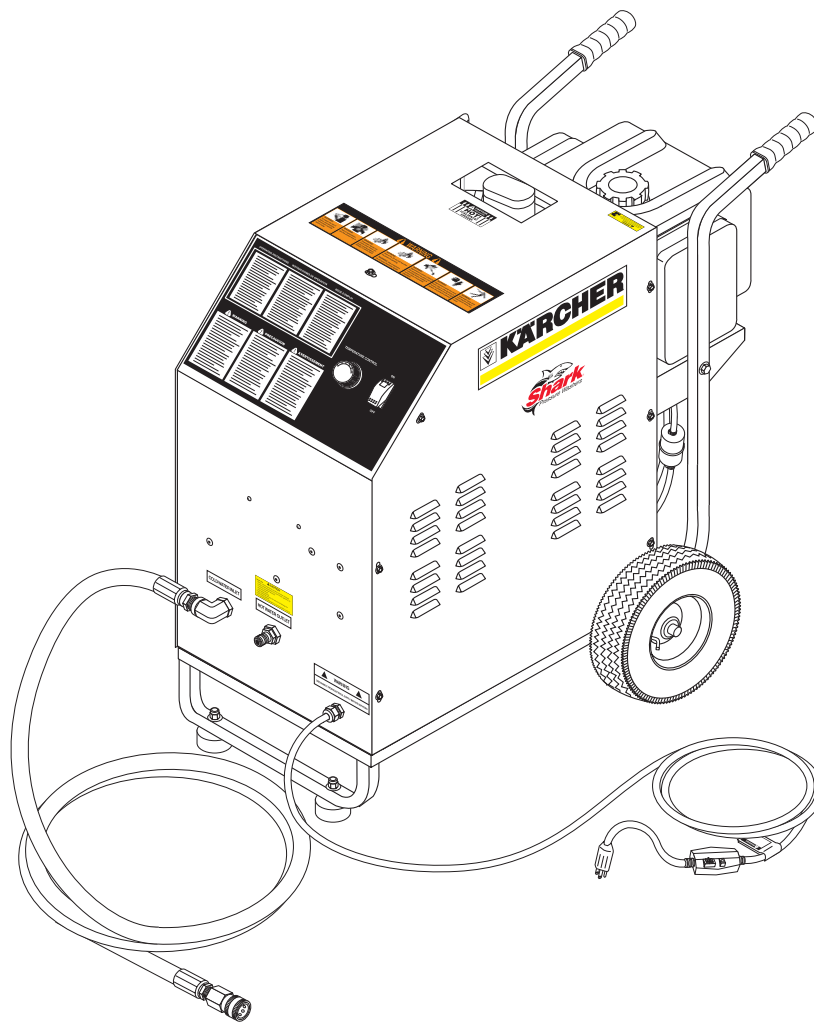




OPERATOR'S MANUAL



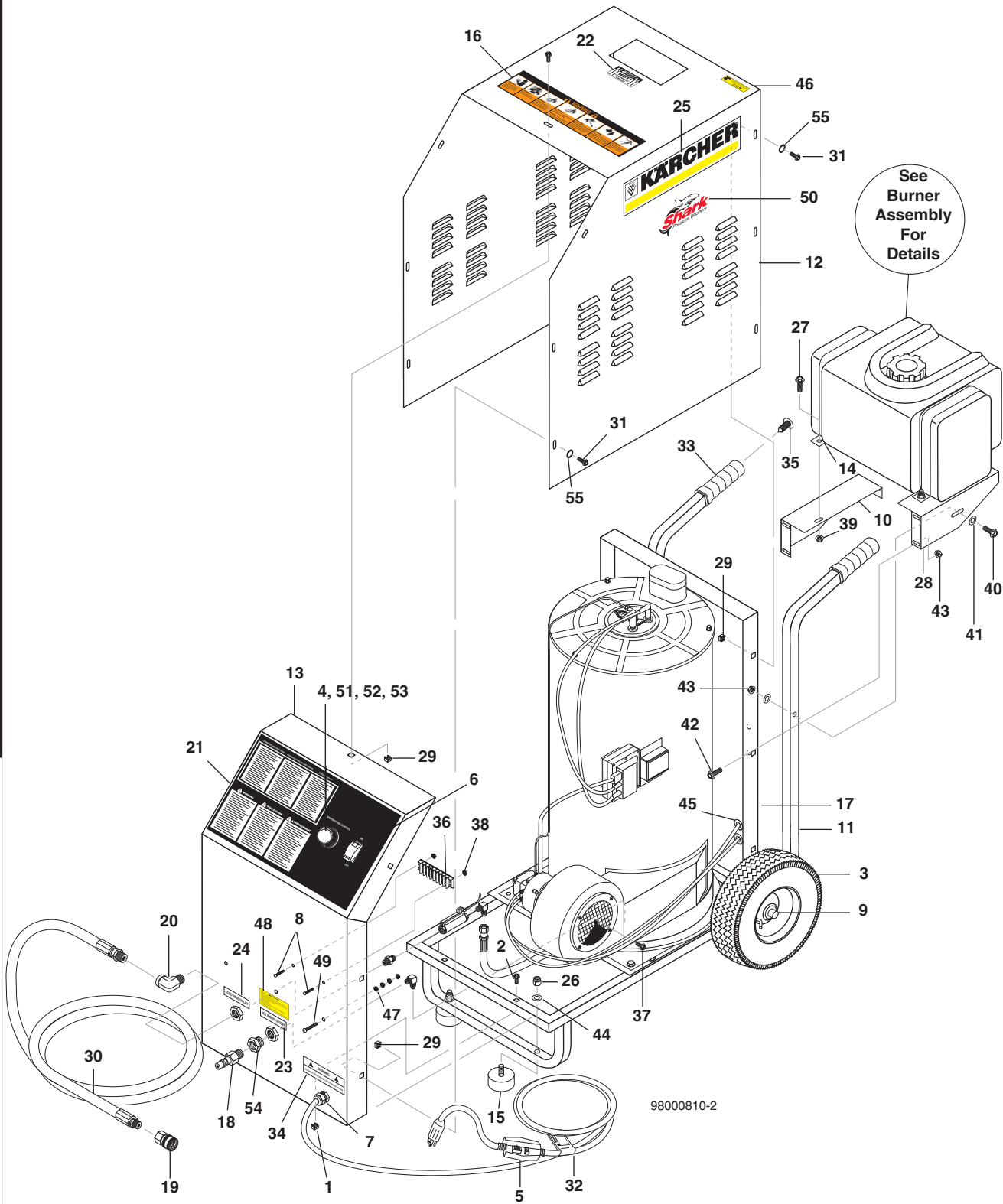
MODEL #

HDS 5.0/30 Ed / HP-5030D

ORDER #

1.575-650.0

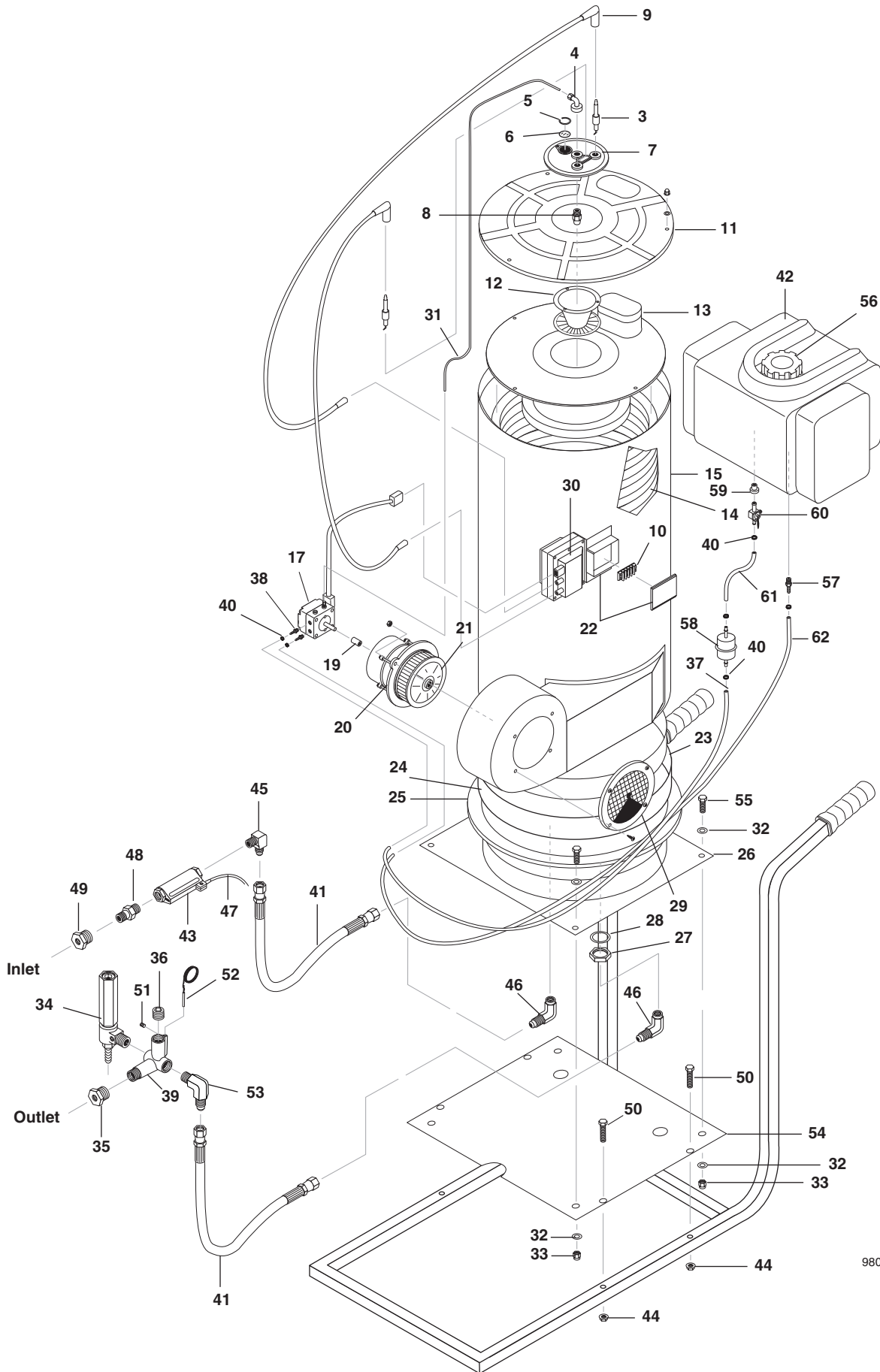
EXPLODED VIEW



EXPLODED VIEW PARTS LIST

ITEM	PART NO.	DESCRIPTION	QTY	ITEM	PART NO.	DESCRIPTION	QTY
1	9.802-792.0	Nut, Cage, 3/8" x 12 Gauge	4	37	9.802-704.0	Screw, 1/4" 1/2" Hex, Black	1
2	9.802-767.0	Screw, 3/8" x 3/4" Whiz Loc	4	38	9.802-789.0	Nut, 8/32", Keps	2
3	9.802-270.0	Wheel & Tire, 6" Steel Rim	2	39	9.802-775.0	Nut, 1/4" Flange	4
4	8.750-095.0	Thermostat, Adjustable, 240°F	1	40	9.802-703.0	Bolt, 1/4" x 1-1/2"	2
5	9.802-432.0	GFCI, 120V 15A, w/36' 12-3 Cord	1	41	9.802-802.0	Washer, 1/4" Flat	2
6	9.802-451.0	Switch, Rocker, Carling w/GreenLens	1	42	9.802-754.0	Screw, 1/4" x 1/2" HH, NC	4
7	9.802-514.0	Strain Relief, Strt, LQ Tite 3231 Small	1	43	9.802-775.0	Nut, 1/4" Flange	6
	9.802-525.0	▲ Locknut, 1/2"	1	44	9.802-817.0	Washer, 3/8" x 1" Steel	2
8	9.802-749.0	Screw, 8/32" x 3/4" BHSOC	2	45	9.802-064.0	Grommet, Rubber, Nozzle Holder	2
9	9.802-782.0	Collar, 5/8" Bore Shaft 3010	2	46	9.800-018.0	Label, Tipover Hazard	1
	9.803-068.0	▲ Axle, 5/8" Rod x 24.75" L	1	47	9.802-695.0	Nut, 10/32" Keps	4
	9.802-810.0	▲ Washer, 5/8" Flat	2	48	9.800-049.0	Label, Cleaning Solution	1
10	9.803-079.0	Bracket, Fuel Tank, Right	1	49	9.802-762.0	Screw, 10/32" x 1-1/4"	1
11	9.803-075.0	Frame Assy	1	50	8.704-660.0	Label, Kärcher-Shark	2
12	9.803-031.0	Hood, Cover	1	51	8.750-097.0	Knob, Thermostat 240°F	1
13	9.803-076.0	Panel, Front	1	52	8.712-190.0	Bezel, Thermostat	1
	9.800-040.0	▲ Label, Ground	1	53	8.718-779.0	Screw, 4 mm x 6 mm	2
14	9.803-080.0	Strap, Fuel Tank	2	54	8.706-917.0	Bushing 1/2" x 3/8"	1
15	9.802-058.0	Bumber, Rubber 1" w/Bolt, 5/16" x 1-1/4"	2	55	8.719-012.0	Washer, 10/32" Star	
16	9.800-035.0	Label, Warning, Pictorial	1			▲ Not Shown	
17	9.803-077.0	Panel, Back	1				
18	9.802-171.0	Nipple, 3/8" x 3/8" NPT ST Male	1				
19	9.802-166.0	Coupler, 3/8" Female, Brass	1				
20	8.706-207.0	Elbow, 3/8" Street	1				
21	9.800-058.0	Label, Control Panel	1				
22	9.800-006.0	Label, Hot/Caliente, w/Arrows	1				
23	9.800-021.0	Label, Hot Water Outlet	1				
24	9.800-020.0	Label, Cold Water Inlet	1				
25	9.800-110.0	Label, Karcher	2				
26	9.802-787.0	Nut, 5/16" Cap	2				
27	9.802-753.0	Screw, 1/4" x 3/4" HH, NC	4				
28	9.803-078.0	Bracket, Fuel Tank, Left	1				
29	9.802-791.0	Nut, Cage, 10/32" x 16 Gauge	13				
30	9.802-236.0	Hose, 3/8" x 9', 2 Wire, 3/8" SW x 3/8" SOL	1				
31	9.802-764.0	Screw, 10/32" x 3/4"	13				
32	8.932-969.0	Label, Warning, Service Cord	1				
33	9.802-070.0	Grip, 1" Square Handle	2				
34	9.800-016.0	Label, Disconnect Pwr Supply	1				
35	9.802-107.0	Fastener, Ratchet, Black	2				
36	9.802-492.0	Block, Terminal, 8 Pole	1				
	9.802-494.0	▲ Bar Jumper	2				

BURNER ASSEMBLY EXPLODED VIEW



98000810-1

BURNER ASSEMBLY PARTS LIST

ITEM	PART NO.	DESCRIPTION	QTY	ITEM	PART NO.	DESCRIPTION	QTY
1	9.802-831.0	Burner, Hotbox, 5.5 GPM 115V1		46	9.802-043.0	Elbow, 1/2" JIC x 1/2" Fem, 90°	2
2	7-46140112	Clamp, Electrode	1	47	9.803-266.0	Reed, Replacement, MV60	1
3	8.717-935.0	Electrode	2	48	8.705-974.0	Nipple, 3/8" x 3/8" Hex, Steel	1
4	8.717-872.0	Elbow	1	49	8.706-998.0	Connector, 3/8" Anchor	1
5	8.717-869.0	Ring, Locking	1	50	9.802-769.0	Screw, 3/8" x 1-3/4" HH, NC	4
6	8.717-932.0	Slide	1	51	9.196-012.0	Screw	1
7	8.717-929.0	Flange, Burner	1	52	8.750-095.0	Thermostat, Adjustable, 240°F	1
8	8.717-873.0	Nozzle, Burner 1.5, 60°	1	53	9.802-039.0	Elbow, 1/2" JIC, 3/8", 90°	1
9	8.717-970.0	Cable, High Tension	2	54	9.803-033.0	Coil, Mount Plate	1
10	8.717-891.0	Board, Terminal	1	55	8.718-618.0	Bolt, 5/16" x 3/4"	4
11	8.717-974.0	Cover, Tank External, SS	1	56	9.802-089.0	Cap, Fuel Tank, 5 Gallon Fuel	1
12	8.717-969.0	Deflector	1	57	8.706-940.0	Hose Barb, 1/4" Barb x 1/8" Pipe	1
13	8.717-973.0	Cover, Burner	1	58	8.709-152.0	Filter, Fuel, Disposable	1
14	8.717-928.0	Coil, High 500	1	59	9.802-053.0	Grommet, Fuel Tank	1
15	8.717-972.0	Heater Body	1	60	9.802-690.0	Valve, Fuel Tank Shut-Off	1
16	8.717-871.0	Connector, 1/8 m	1	61	9.802-254.0	Fuel Line, 1/4" Push-On	6"
17	8.717-896.0	Pump, Fuel	1	62	9.802-254.0	Fuel Line, 1/4" Push-on	46"
18	8.717-893.0	Coil, Solenoid	1			▲ Not Show	
19	8.717-868.0	Coupling, Plastic	1				
20	8.717-889.0	Motor, 110V 60 Cycle	1				
21	8.717-870.0	Fan	1				
22	8.717-892.0	Box, Electric 70 x 70 x 30	1				
23	8.717-934.0	Refractory	1				
24	8.717-931.0	Strip, Coil Fixing	1				
25	8.717-933.0	Rope, Insulating	1				
26	8.717-971.0	Base, Heater	1				
27	8.717-930.0	Nut, Coil Fixing	2				
28	8.717-864.0	Washer, 22x39	2				
29	8.717-968.0	Guard, Fan	1				
30	8.717-890.0	Transformer, 110V 60 Cycle	1				
31	8.717-936.0	Tube, Copper	1				
32	8.718-980.0	Washer, 5/16" Flat	8				
33	9.802-776.0	Nut, 5/16" ESNA	4				
34	8.802-433.0	Valve, Safety Relief VSA	1				
35	8.707-000.0	Connector, 1/2", Anchor	1				
36	8.706-248.0	Plug, 3/8" Allen Counter Sunk	1				
37	9.802-254.0	Fuel Line, 1/4" Push-on	36"				
38	9.803-420.0	Hose Barb	2				
39	9.149-003.0	Manifold Coil Outlet Discharge	1				
40	8.390-126.0	Clamp, Hose, .46-, .54	6				
41	6.390-126.0	Hose, 3/8" x 14", 2 Wire, Pressure Loop	2				
42	9.802-079.0	Tank, Encore, 5 Gallon Fuel	1				
43	8.933-006.0	Switch, Flow, MV60	1				
44	9.802-781.0	Nut, 3/8" Whiz Loc	4				
45	9.802-039.0	Elbow, 1/2" JIC x 3/8", 90°	1				