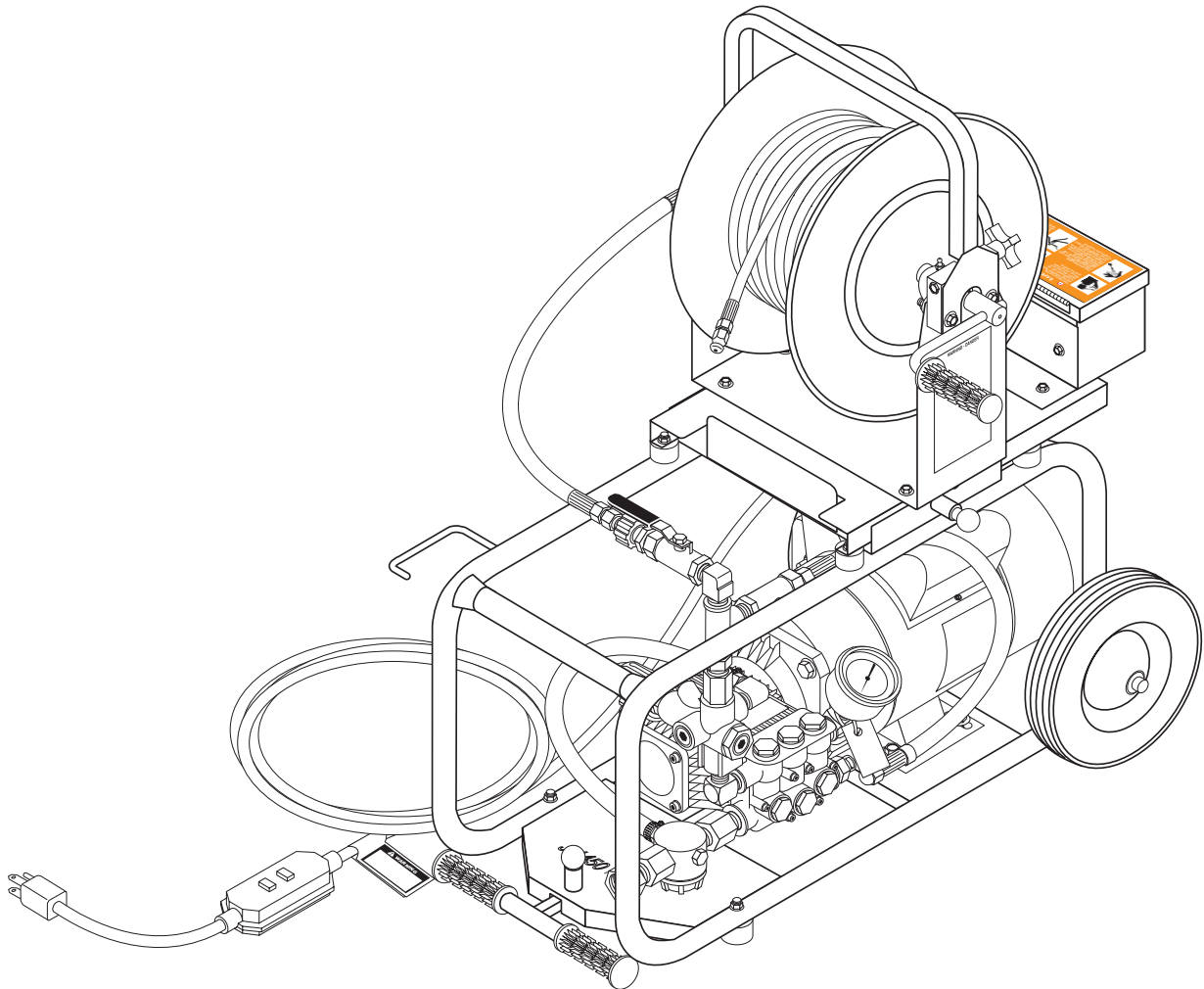




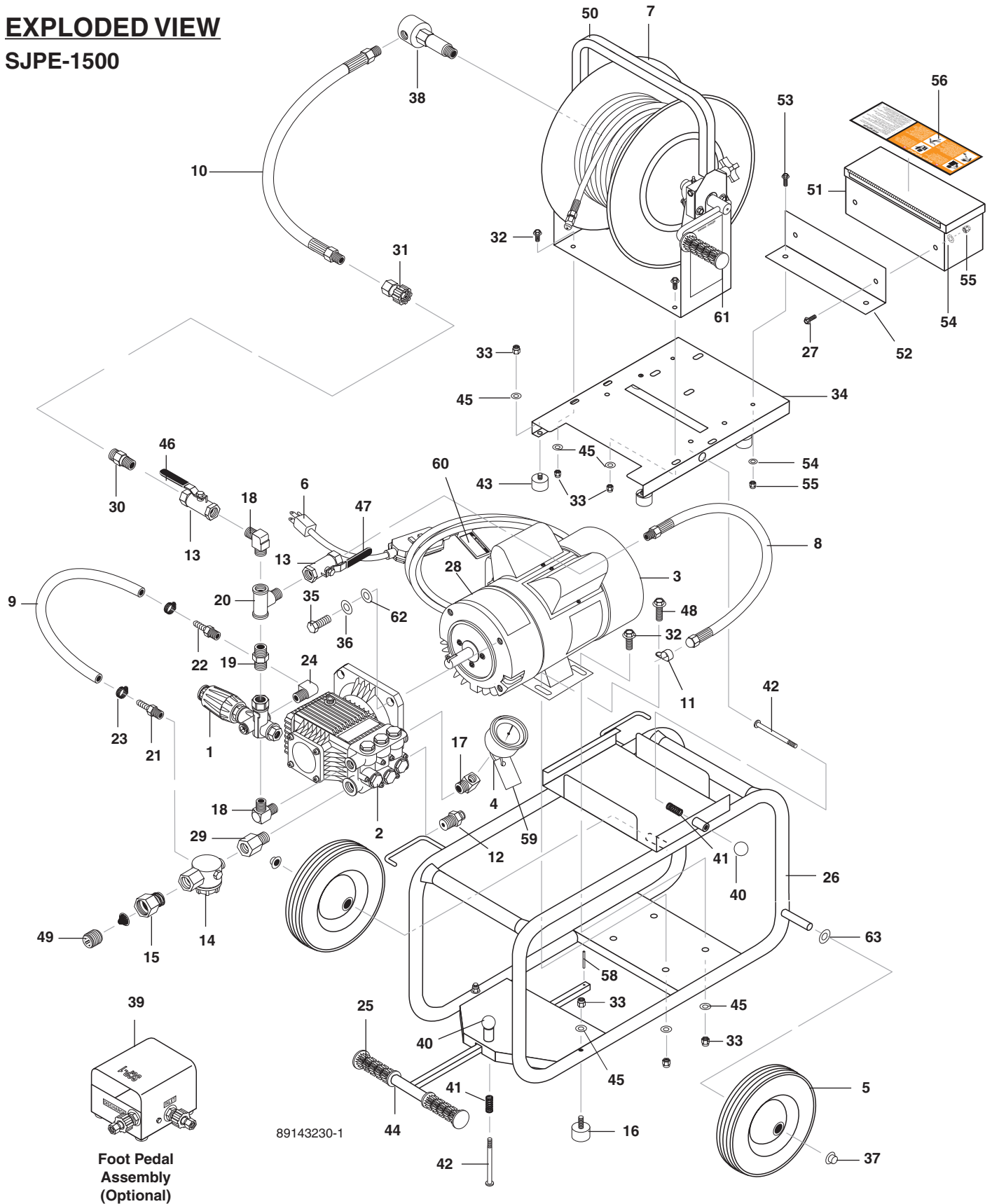
SJPE-1500

OPERATOR'S MANUAL



EXPLODED VIEW

SJPE-1500



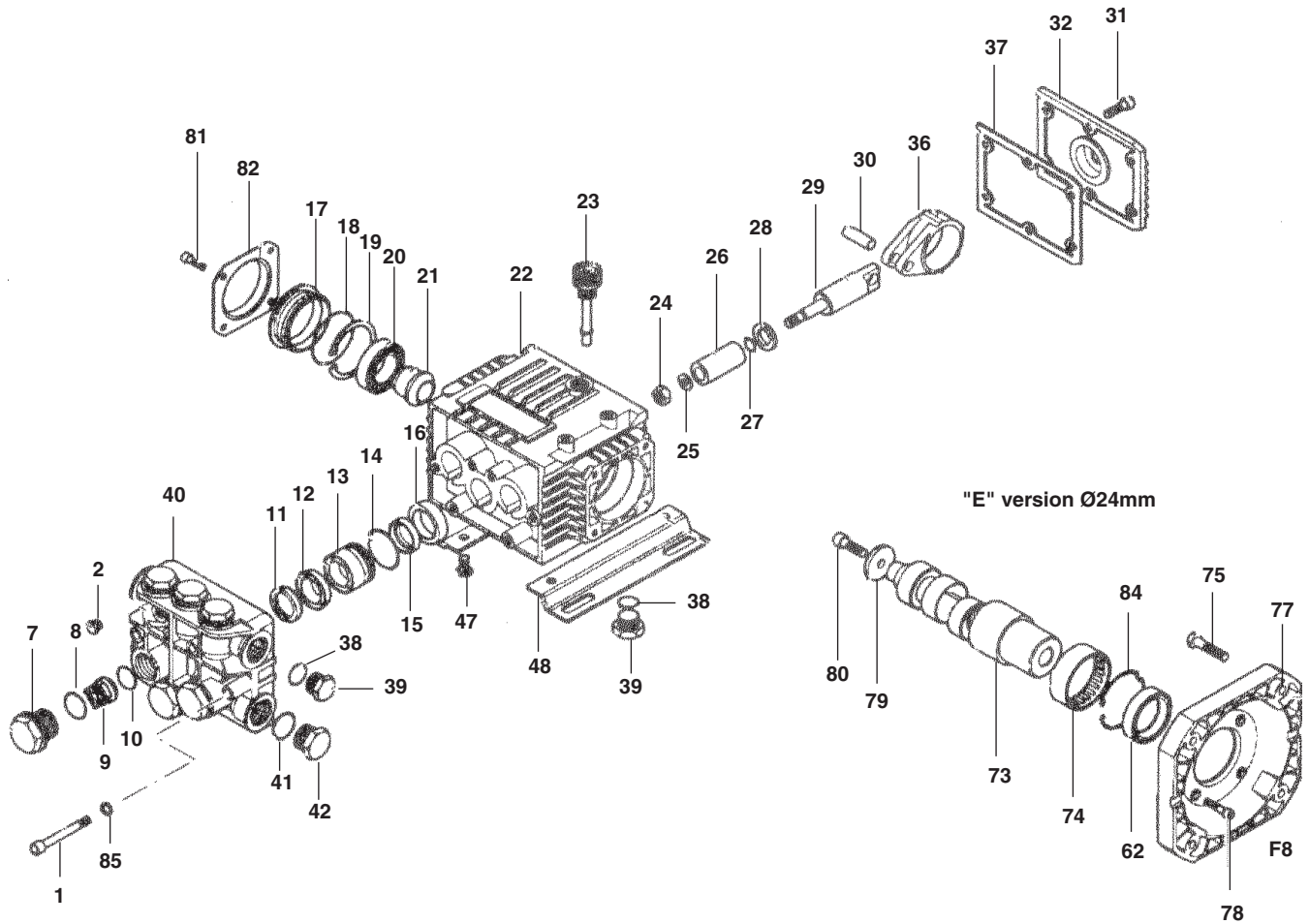
EXPLODED VIEW PARTS LIST

SJPE-1500

ITEM	PART NO.	DESCRIPTION	QTY	ITEM	PART NO.	DESCRIPTION	QTY
1	8.750-297.0	Unloader, VRT 3, 8 GPM @2320 PSI	1	29	8.706-984.0	Adapter, 1/2" x 1/2" Pipe	1
2	8.715-297.0	Pump, AR XTA2G15EBA-F8, Elect 1725 RPM	1	30	8.707-185.0	Plug, QDISC. 3/8" M x 22MM	1
3	9.804-516.0	Motor, 1.5 HP 1 PH 1725 RPM, Magnetek TEFC	1	31	8.707-182.0	Coupler, 3/8" Female Screw-Type 7640	1
4	8.712-135.0	Gauge, Pressure, Panel Mount, 0-2000 PSI	1	32	9.803-551.0	Screw, 5/16" x 3/4" Whiz	7
5	8.711-903.0	Wheel & Tire, 8" x 5" Rim, Pneumatic	2	33	9.802-776.0	Nut, ESNA, 5/16"	14
6	8.715-944.0	GFCI, 125V, 15A, w/37', 12-3 Cord	1	34	8.911-637.0	Bracket, Hose Reel Mnt	1
7	8.711-866.0	Hose Reel, 13" Shark® Jetter	1	35	9.802-722.0	Bolt, 3/8" x 1" NC HH	4
8	8.711-803.0	Hose, Pulsation, 24"	1	36	9.802-814.0	Washer, 3/8" , Lock, Split Ring	4
9	9.802-259.0	Hose, 1/2" Push-on (15.5")	1	37	8.718-849.0	Cap, 1/2" Axle	2
10	8.918-191.0	Hose, 3/8" x 19", 1 Wire, 3/8" MPT x 3/8" MPTS	1	38	8.711-874.0	Swivel, 3/8" x 3/8"	1
11	9.802-207.0	Clip, Round, 0.56 I.D.	1	39	8.902-986.0	Foot Pedal (optional)	1
12	8.707-256.0	Pump Protector, 1/2" 140°.	1	40	8.719-079.0	Knob, Black Plastic	2
13	8.707-204.0	Valve, 3/8" Ball, Steel	2	41	8.719-112.0	Spring, 0.31 OD x 1.00 Steel	2
14	9.802-163.0	Strainer, 1/2" Inline	1	42	8.718-592.0	Screw 1/4" x 1-5/8" SHDR	2
15	9.802-146.0	Swivel, 1/2" MP x 3/4" GHF w/Strainer	1	43	8.706-519.0	Bumper, Rubber 1" w/Bolt	4
	9.802-179.0	▲ Valve, Anti-Siphon, Watts 8B1	1	44	8.911-634.0	Handle	1
16	9.802-058.0	Bumper, Rubber 1" w/Bolt, 5/16" x 1-1/4"	2	45	8.718-980.0	Washer, 5/16"	14
17	9.803-995.0	Elbow, 3/8" MPT x 1/4" FPT, Steel	1	46	8.706-690.0	Cover, Handle, Off-On	1
18	8.706-168.0	Elbow, 3/8" Male, Pipe	2	47	8.706-692.0	Cover, Handle	1
19	8.705-974.0	Nipple, 3/8" Hex Steel	1	48	9.802-756.0	Bolt, Whiz, 5/16" x 1"	1
20	9.803-552.0	Tee, 3/8" Branch Male	1	49	8.706-742.0	Plug, Plastic, 1"	1
21	8.706-338.0	Hose Barb, 1/2" Barb x 1/4" MNPT Steel	1	50	8.911-636.0	Hose Reel Guard	1
22	8.706-337.0	Hose Barb, 1/2" Barb x 3/8" MNPT, Steel	1	51	8.911-665.0	Tool Box, Black	1
23	9.802-201.0	Clamp, Screw #6	2	52	8.911-638.0	Bracket, Tool Box	1
24	8.706-828.0	Elbow, 3/8" Street	1	53	9.802-753.0	Screw, 1/4" x 3/4", Whiz Loc	2
25	8.706-573.0	Grip, 7/8" Handle, Jetter	2	54	9.802-802.0	Washer, 1/4", Flat	4
26	8.911-632.0	Assy, Frame, Black	1	55	9.802-773.0	Nut, 1/4", ESNA	4
27	9.802-754.0	Screw, 1/4" x 1/2, HH, NC, Whiz Loc	2	56	8.900-865.0	Label, Warning/Danger	1
28	8.900-969.0	Label, SJPE-1500	1	57	8.914-323.0	▲ Manual, Shark® Jetters SJPE-1500	1
				58	8.719-067.0	Pin, Roll, 3/16 x 3/4, Steel	1
				59	8.901-120.0	Tag, Water Temp to Pump	1
				60	8.932-969.0	Label, Warning, Service Cord	1
				61	9.802-069.0	Grip, 1" Handle	1
				62	8.725-394.0	Washer, 3/8" Flat	4
				63	9.802-810.0	Washer, 3/8" Flat, Sae	2

▲ Not Shown

PUMP MODEL NO. AR XTA2G15EBA-F8
JET SET MODEL SJPE-1500 PART #8.702-504.0



PUMP MODEL NO. AR XTA2G15EBA-F8
JET SET MODEL SJPE-1500 PART #8.702-504.0

ITEM	PART NO.	DESCRIPTION	QTY
1	83-680570	Head Bolt TCEI M6x60 Brass	6
2	83-620301	Tap Plug 1/8" G (optional)	1
7	83-1260160	Valve Cap	6
8	8.718-474.0	O-Ring Ø17.86x2.62	6
9	83-1269050	Complete Valve	6
10	8.724-857.0	O-Ring Ø15.54x2.62	6
11	83-1260140	Support Ring Ø15	3
12	83-1260130	Packaging Gasket Ø15	3
13	83-1260151	Piston Guide Ø15	3
14	8.718-389.0	O-Ring Ø26.70x1.78	3
15	83-1260440	Packaging Seal Gasket Ø15	3
16	83-1260460	Piston Oil Seal 15x24x5	3
17	83-1320320	Shaft Side Plug	1
18	8.718-394.0	O-Ring Ø47.35x1.78	1
19	83-1260790	Circlip Ø ₁ 52	1
20	83-1320370	Bearing 25x52x15 6205	1
21	83-1320330	Bushing	1
22	83-1320010	Pump Body	1
23	83-880130	Dip Stick	1
24	83-1260110	Screw M8	3
25	8.724-856.0	Copper Washer 8x13x0.5	3
26	8.718-386.0	Piston Ø15	3
27	83-480480	O-Ring Ø4.48x1.78	3
28	83-1260091	Disc Separator	3
29	8.718-384.0	Piston Guide	3
30	8.718-385.0	Piston Pin Ø _E 7x24	3
31	83-1260760	Screw TCEI M5x20	6
32	83-1321030	Rear Cover, Low	1

ITEM	PART NO.	DESCRIPTION	QTY
36	8.718-393.0	Con Rod, Bronze	3
37	8.718-383.0	Rear Gasket Cover	1
38	83-740290	O-Ring Ø14 x 178	3
39	8.718-472.0	Oil Drain Tap Bolt 3/8" G	2
40	8.718-392.0	Pump Head-Without Hole, 18mm Brass	1
41	83-180101	O-Ring Ø17.5 x 2	1
42	8.718-468.0	Head Tap Bolt 1/2"G	1
81	83-1321780	Bolt TCEI M6x12	4
82	83-1321420	Side Cover	1

Crankcase Oil Capacity, 14 oz.

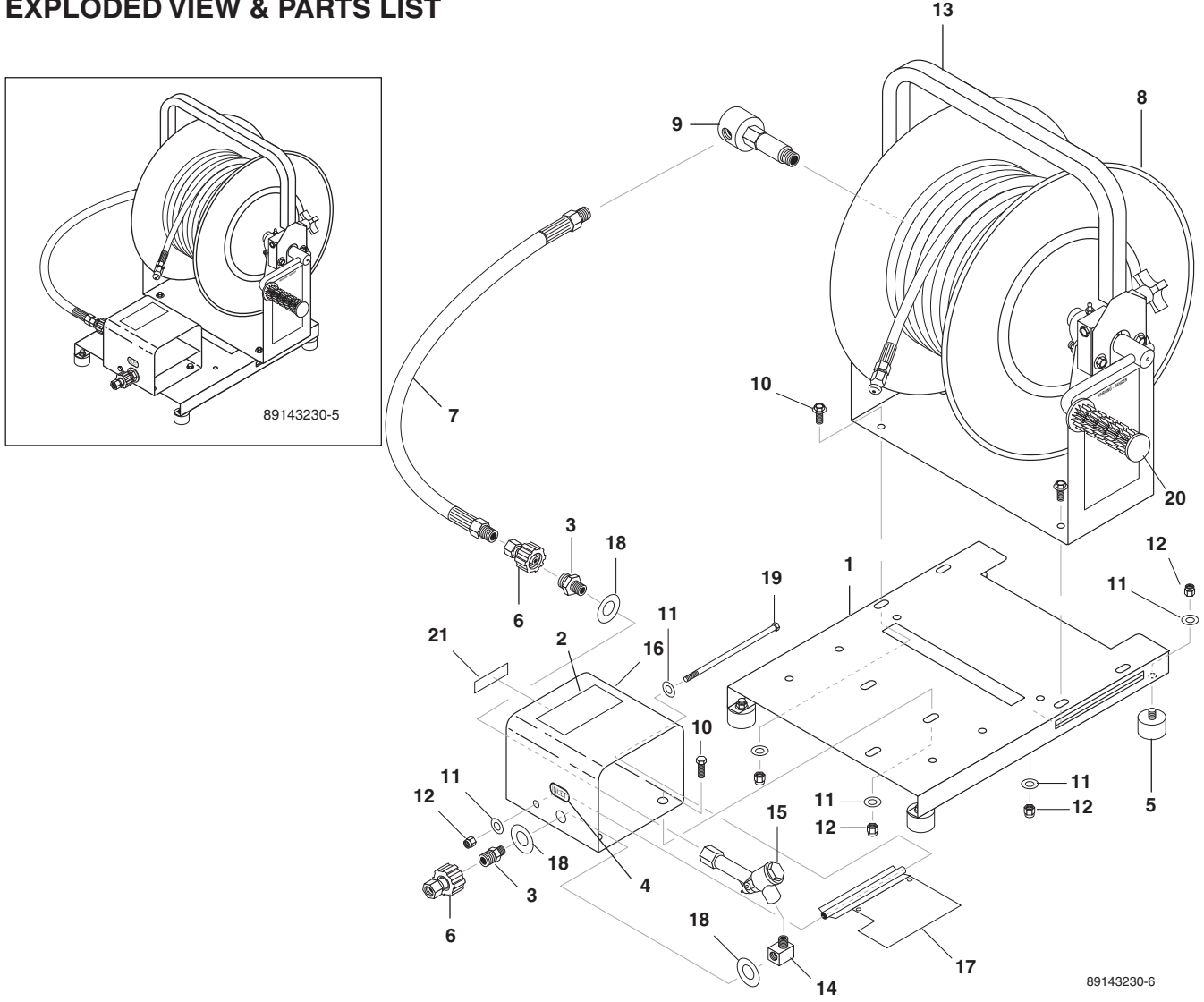
E VERSION:

ITEM	PART NO.	DESCRIPTION	QTY
62	83-480671	Seal Ring 40x52x7	1
73	83-1321110	Shaft 2 GPM Ø5/8"	1
74	8.718-396.0	Ring Bearing HK 4516	1
75	83-650610	Bolt, 3/8" 16 UNCx1"	4
77	83-1320060	Type F8 Flange, Nema C	1
78	8.718-382.0	Bolt/Flange-Motor TCEI M6x16	4
79	83-780230	Washer Ø ₁ 6.5x28x4	1
80	83-780060	Bolt TCEI M6x25	1
84	8.718-395.0	Snap Ring	1

NOTE: Center inlet check valve is removed to create pulsation.

KIT 83-1860 OIL SEALS (E Ver)		KIT 83-1864 VALVES		KIT 83-1866 WATER SEALS	
Pos.	Qty.	Pos.	Qty.	Pos.	Qty.
16	3	9	6	11	3
18	1	10	6	12	3
37	1			14	3
62	1			15	3

**OPTIONAL SHR-200CP HOSE REEL WITH FOOT PEDAL
EXPLODED VIEW & PARTS LIST**

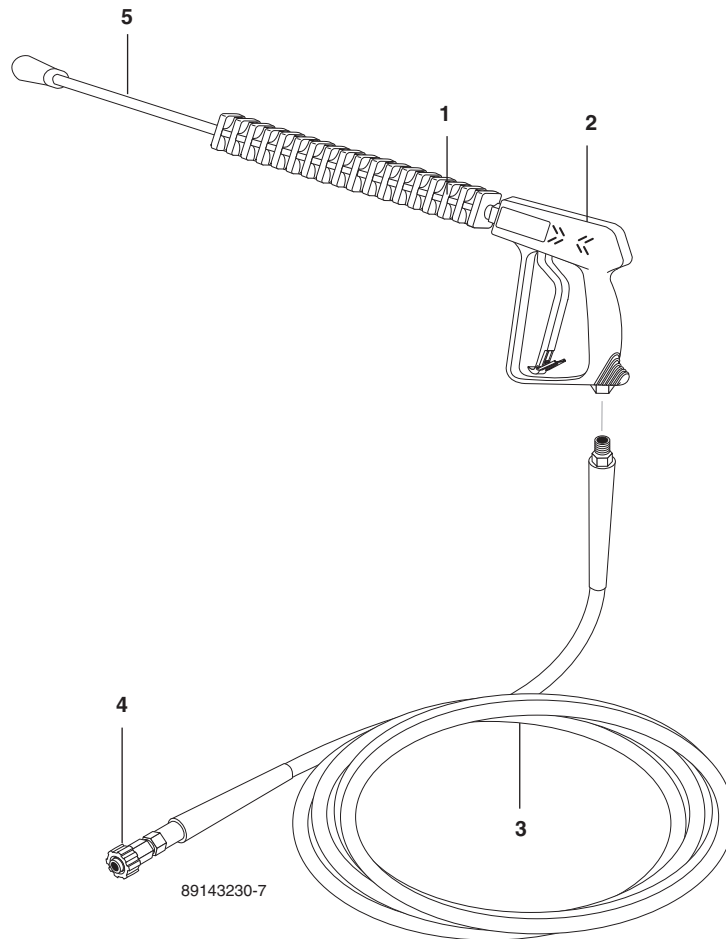


ITEM	PART NO.	DESCRIPTION	QTY
1	8.911-637.0	Bracket, Hose Reel Mount	1
2	8.940-374.0	Label, SHR-200	1
3	8.707-186.0	Nipple, 1/4" x M22, Twist	2
4	8.940-349.0	Label, Inlet	1
5	8.706-519.0	Foot, Rubber	4
6	8.707-182.0	Coupler, 3/8" Female Screw Type 7640	2
7	8.711-599.0	Hose, 3/8" x 17.5", 1 Wire, 3/8" MNPT(SLD) x 3/8" MNPT(SWL)	1
8	8.711-866.0	Hose Reel, 13" Shark Jetter	1
9	8.711-874.0	Swivel, 3/8" x 3/8"	1
10	9.803-551.0	Screw, 5/16" x 3/4" Whiz Loc	7
11	8.718-980.0	Washer, 5/16"	13

ITEM	PART NO.	DESCRIPTION	QTY
12	9.802-776.0	Nut, 5/16" ESNA	12
13	8.911-636.0	Hose Reel Guard	1
14	8.706-827.0	Elbow, 1/4" Street	1
15	8.718-436.0	Valve Assy, Complete	1
16	8.911-654.0	Cover, Welded Assy. Foot Valve	1
17	8.911-655.0	Plate, Foot Valve Assy	1
18	9.802-800.0	Washer, 1/2" Flat	3
19	8.718-640.0	Bolt, 5/16" x 6-1/2" HH, NC	1
20	9.802-069.0	Grip, 1" Handle, Waffle	1
21	8.940-343.0	Label, Discharge	1

HOSE AND SPRAY GUN ASSEMBLY (OPTIONAL)

SJPE-1500



ITEM	PART NO.	DESCRIPTION	QTY
1	8.711-311.0	Lance, 18" Molded Grip AL-3929.11	1
2	8.710-384.0	Spray Gun, ST-1500, 5000 PSI, 10.4 GPM	1
3	8.739-030.0	Hose, 3/8" x 25', 1 Wire, TS, Legacy, 50 x SW	1
4	8.707-182.0	Coupler, 3/8" Female Screw Type 7640	1
5	8.712-421.0	Nozzle Holder, Adjustable AL-TR9-4701.12	1
	8.711-368.0	▲ Nozzle Only, SA 1/4", MEG 1502.5	1

▲ Not Shown