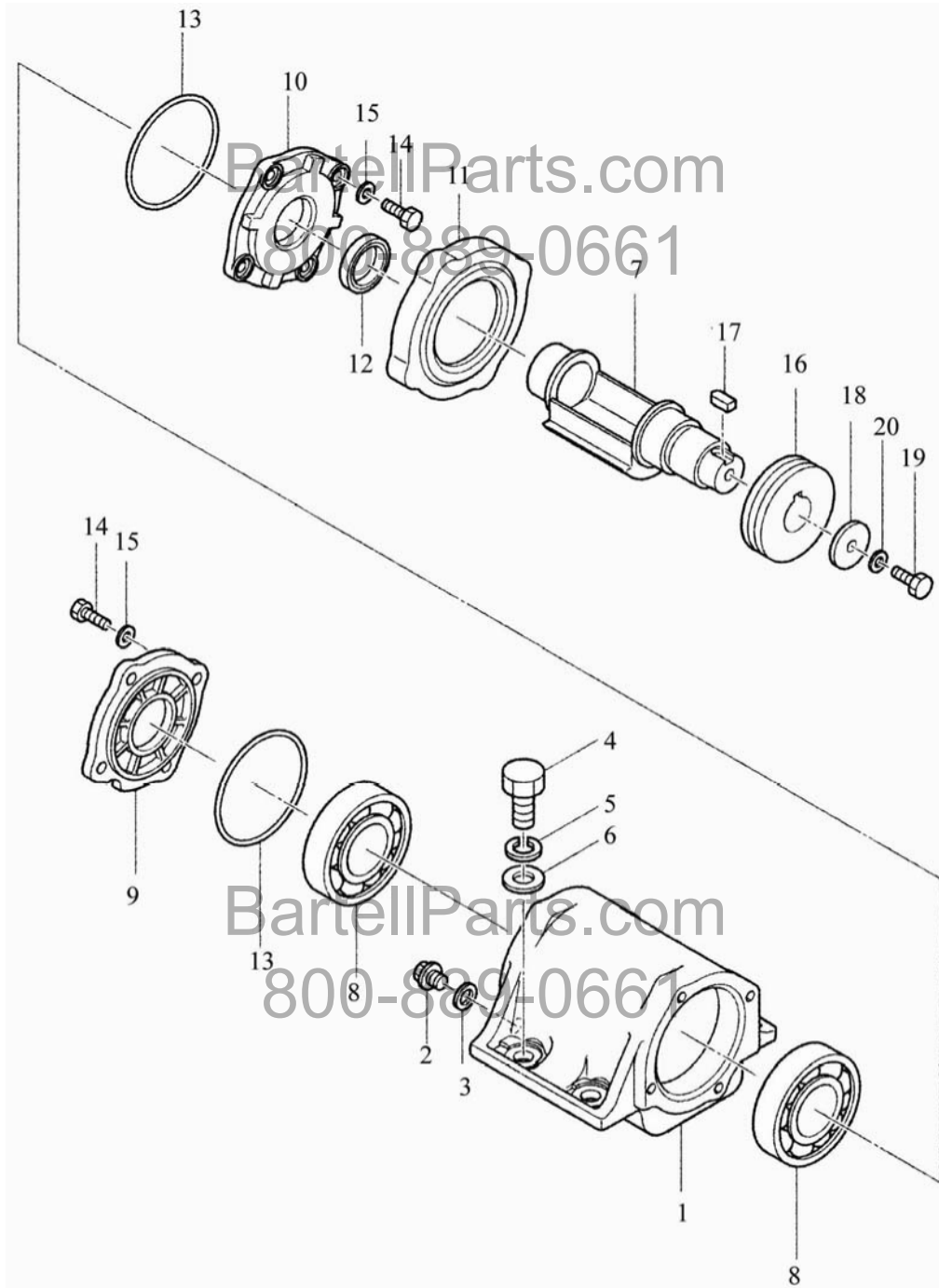


PARTS LIST 1 – FORWARD PLATE COMPACTORS

VIBRATOR: BCF1570



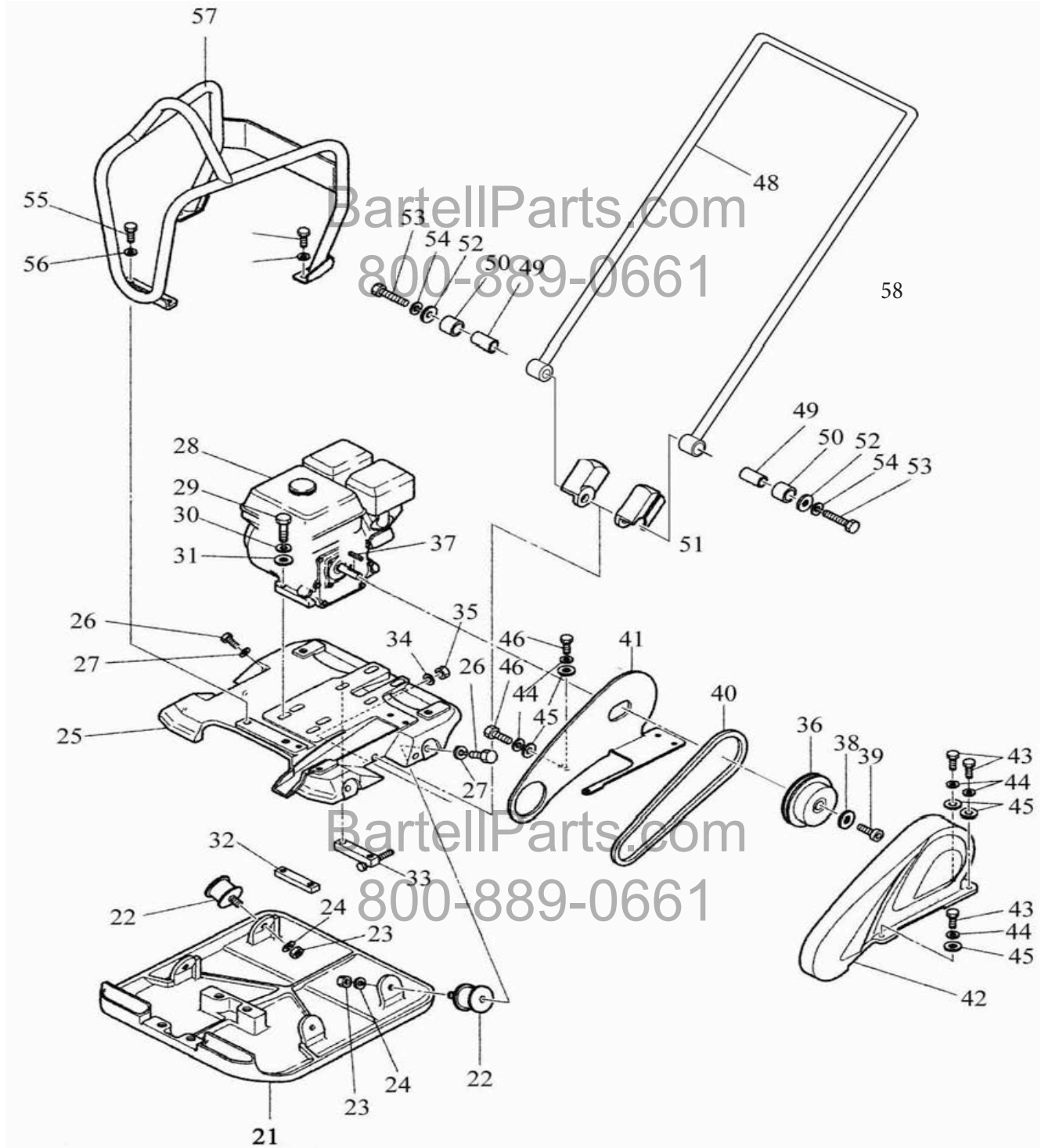
VIBRATOR: BCF1570 – PARTS LIST 1

Item #	Part #	Description	QTY	Remarks
-	CPC-95-A	VIBRATOR ASSEMBLY	1	
1	CPC-95-01A	VIBRATING CASE	1	
2	CPC-95-02A	BOLT M10x20T	1	
3	CPC-95-03A	PACKING	1	
4	CPC-95-04A	BOLT m16x45T	4	
5	CPC-95-05A	SW M16	4	
6	CPC-95-06A	PW M16	4	
7	CPC-95-07A	VIBRATOR	1	
8	CPC-95-08A	BEARING 6211	2	
9	CPC-95-09A	CASE RIGHT COVER	1	
10	CPC-95-010A	CASE LEFT COVER	1	
11	CPC-95-011A	BELT COVER GUARD	1	
12	CPC-95-012A	OIL SEAL 35x48x10	1	
13	CPC-95-013A	O-RING 100 (OD) x 3.1	2	
14	CPC-95-014A	BOLT M8x25T	8	
15	CPC-95-015A	WASHER AND SW M8	8	
16	CPC-95-016A	PULLEY	1	
17	CPC-95-017A	KEY 7x7x19	1	
18	CPC-95-018A	WASHER M10 x 4 x 40(OD)	1	
19	CPC-95-019A	BOLT M10x25T	1	
20	CPC-95-020A	SW M10	1	

BartellParts.com
800-889-0661

PARTS LIST 2 – FORWARD PLATE COMPACTORS

BODY: BCF1570

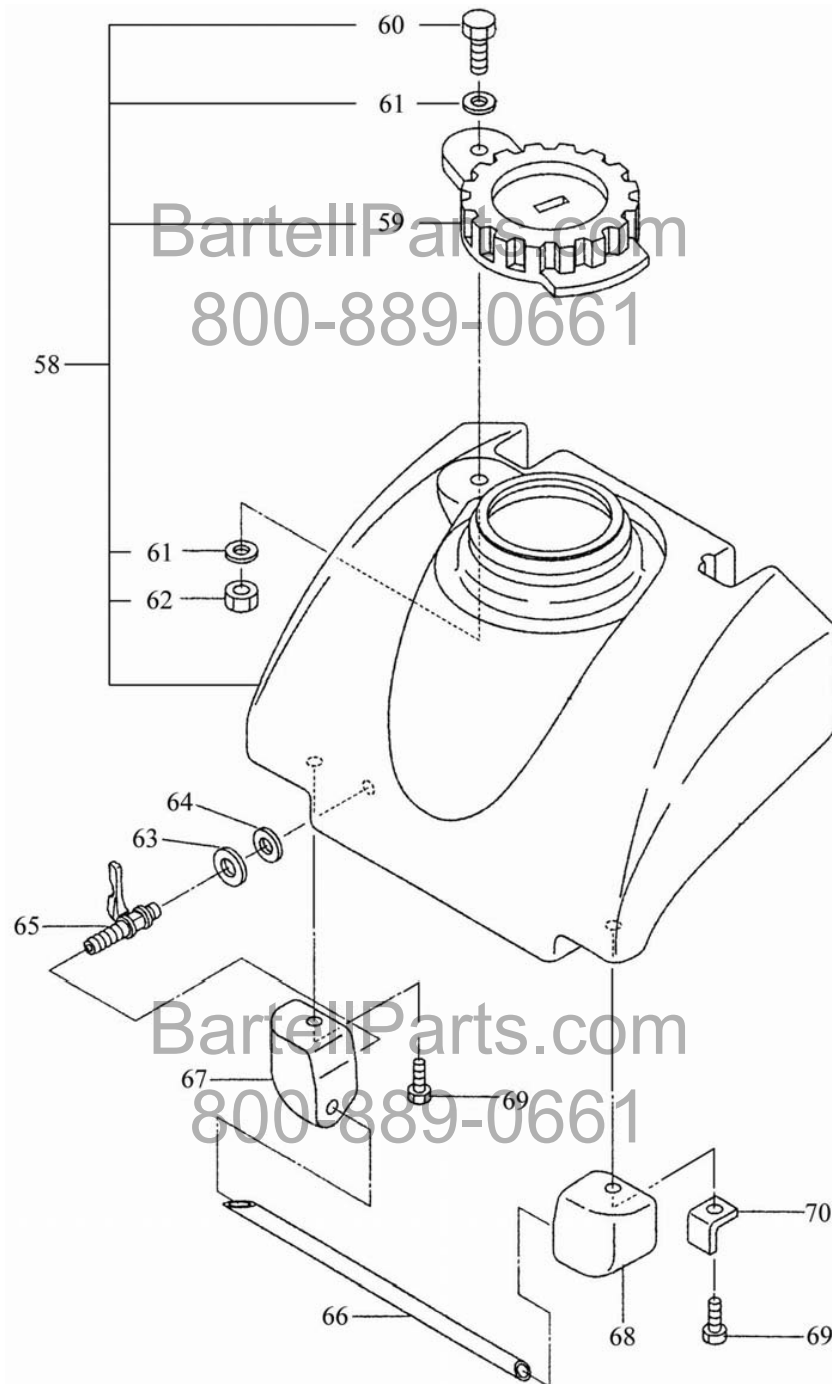


BODY: BCF1570 – PARTS LIST 2

Item #	Part #	Description	QTY	Remarks
21	CPC-95-1B	VIBRATING PLATE	1	
22	CPC-95-2B	SHOCK ABSORBER	4	
23	CPC-95-3B	NUT M10	4	
24	CPC-95-4B	SW M10	4	
25	CPC-95-5B	BASE	1	
26	CPC-95-6B	BOLT M10x30T	4	
27	CPC-95-7B	SW M10	4	
28	CPC-95-8B	ENGINE	1	
29	CPC-95-9B	BOLT M8 x 55T	4	
30	CPC-95-10B	SW M8	4	
31	CPC-95-11B	PW M8	4	
32	CPC-95-12B	ENGINE NUT	1	
33	CPC-95-13B	ENGINE NUT	1	
34	CPC-95-14B	PW M8	1	
35	CPC-95-15B	NYLON NUT M8	1	
36	CPC-95-16B	CLUTCH ASSEMBLY	1	
37	CPC-95-17B	KEY	1	
38	CPC-95-18B	WASHER	1	
39	CPC-95-19B	SOCKET HEAD BOLT	1	
40	CPC-95-20B	V-BELT	1	
41	CPC-95-21B	BASE FOR BELT	1	
42	CPC-95-22B	BELT COVER	1	
43	CPC-95-23B	BOLT M8x35T	3	
44	CPC-95-24B	SW M8	5	
45	CPC-95-25B	PW M8	5	
46	CPC-95-26B	BOLT M8 x 20T	2	
47	CPC-95-27B	THROTTLE ASSEMBLY	1	
48	CPC-95-28B	HANDLE	1	
49	CPC-95-29B	COLLAR 13-20-44	2	
50	CPC-95-30B	RUBBER 20 x 32 x 28.5	2	
51	CPC-95-31B	HANDLE STOPPER	2	
52	CPC-95-32B	WASHER 12.5 x 35 x 3	2	
53	CPC-95-33B	BOLT M12 x 75T	2	
54	CPC-95-34B	SW M12	2	
55	CPC-95-35B	BOLT M10 x 25T	4	
56	CPC-95-36B	SW M10	4	
57	CPC-95-37B	GUARD HOOK	1	
58	CPC-95-27B	THROTTLE LEVER WITH CABLE	1	
-	651133	HANDLE STOPS (NOT SHOWN)	2	

PARTS LIST 3 – FORWARD PLATE COMPACTORS

WATER TANK ASSEMBLY: BCF1570



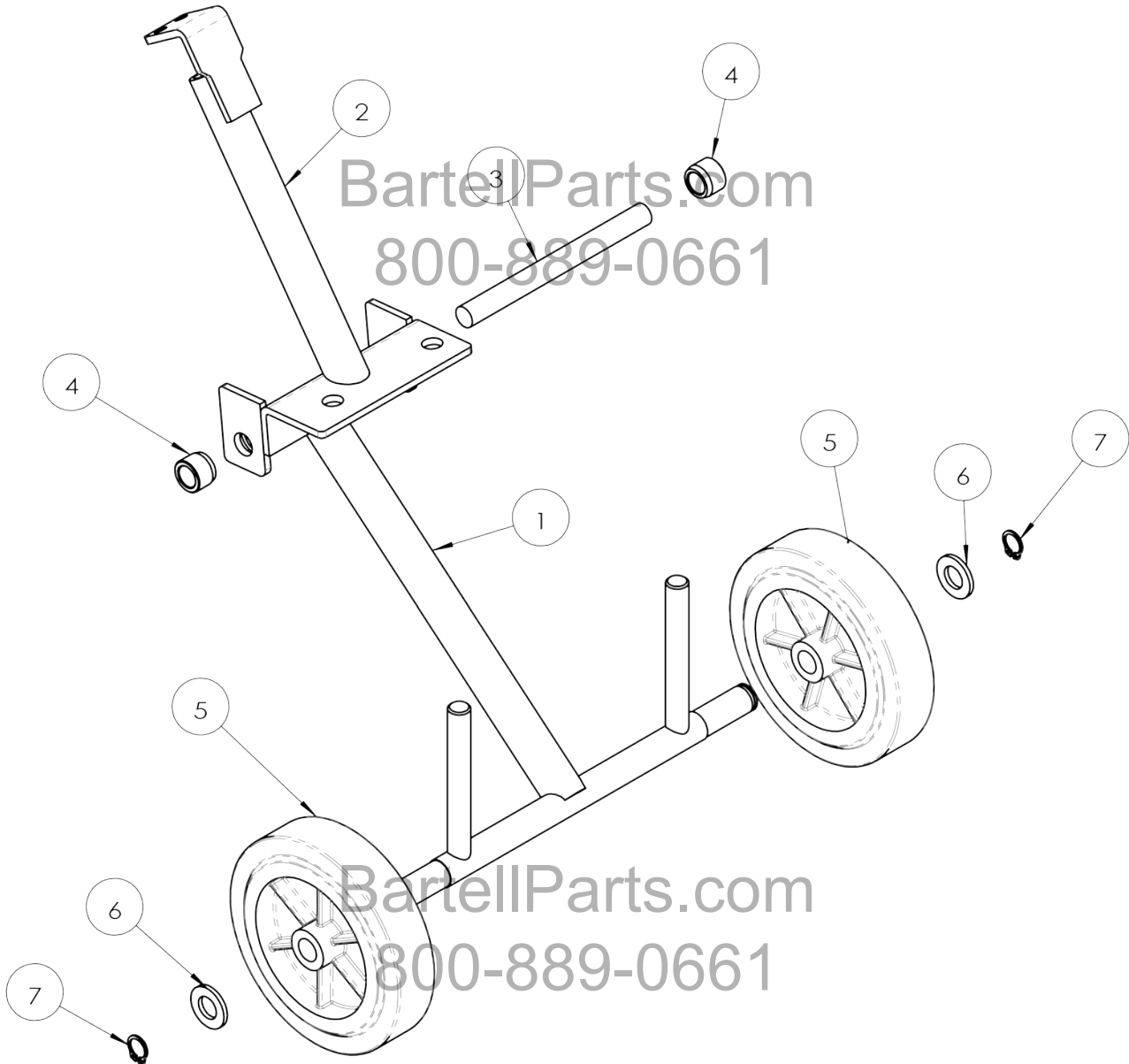
WATER TANK ASSEMBLY: BCF1570 – PARTS LIST 3

Item #	Part #	Description	QTY	Remarks
58	CPC-95-1C	WATER TANK ASSEMBLY	1	
59	CPC-95-1-1C	CAP, WATER TANK	1	
60	CPC-95-1-2C	BOLT M10 x 30	1	
61	CPC-95-1-3C	WASHER 10.5 x 21 x 2	2	
62	CPC-95-1-4C	NYLON NUT M10	1	
63	CPC-95-2C	WASHER 14.1 x 30 x 1.6	1	
64	CPC-95-3C	PACKING 13 x 28 x 2	1	
65	CPC-95-4C	COCK	1	
66	CPC-95-5C	SPRINKLING PIPY	1	
67	CPC-95-6C	PIPE HOLDER LEFT	1	
68	CPC-95-7C	PIPE HOLDER RIGHT	1	
69	CPC-95-8C	FLANGE BOLT M8 x 25	2	
70	CPC-95-9C	STAY, PIPE HOLDER	1	

BartellParts.com
800-889-0661

PARTS LIST 4 – FORWARD PLATE COMPACTORS

WHEELS: BCF1570



WHEELS: BCF1570 – PARTS LIST 4

Item #	Part #	Description	QTY	Remarks
1	CPC-95-01D	WHEELS FRAME 1	1	
2	CPC-95-1-02D	WHEELS FRAME 2	1	
3	CPC-95-1-03D	SHAFT	1	
4	CPC-95-1-04D	COLLAR	2	
5	CPC-95-1-05D	WHEELS	2	
6	CPC-95-06D	WASHER M12	2	
7	CPC-95-07D	CIRCLIP M12	2	

BartellParts.com
800-889-0661

BartellParts.com
800-889-0661