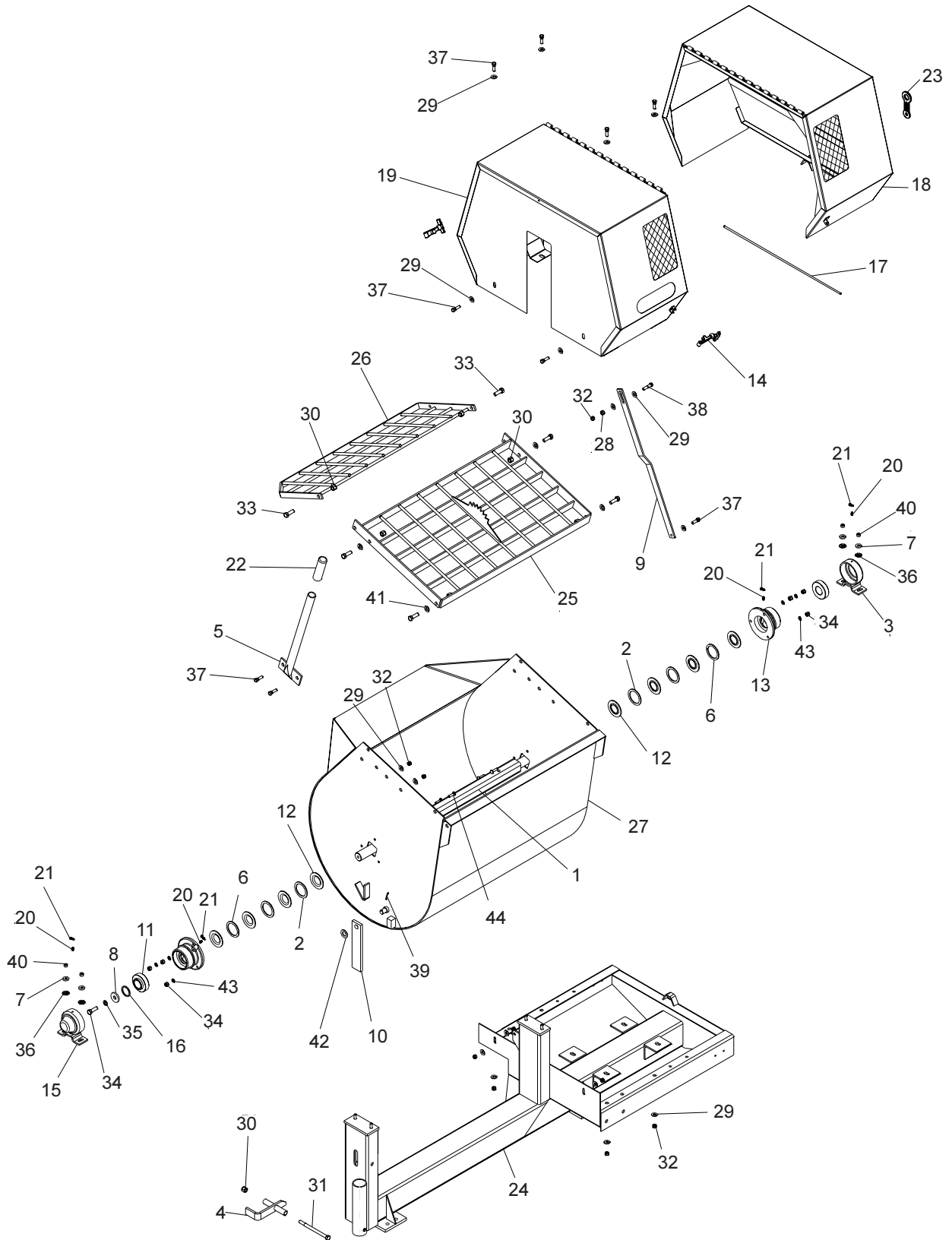


# Parts List

## Frame and Drum Assembly



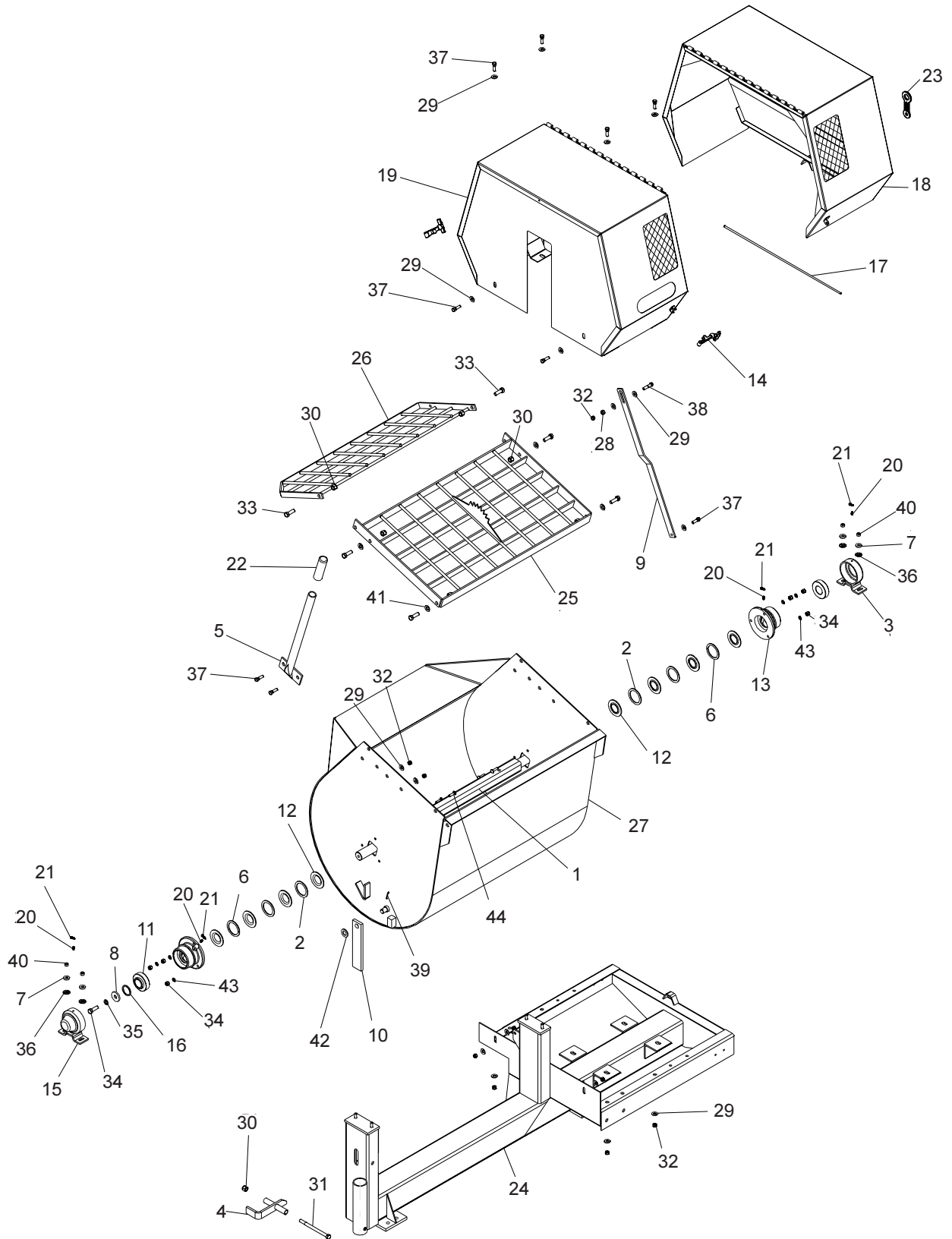
# Parts List

## Frame and Drum Assembly

Item	Part No.	Description	Qty.
1	22215	Shaft Drum 1285PM	1
2	24017	WSHR 12ga 2-15/16 OD x 2-1/4 ID	4
3	24021	Weld Trunnion PM EE	1
4	24027	Latch Weld Drum	1
5	24763	Weld Handle Dump	1
6	25881	Washer Split	2
7	26325	WSHR .375 ID x 1.00 OD x .187 ZN	4
8	26326	WSHR 9/16 x 1-34 x 1/4	1
9	28149	Lifter Guard	1
10	28372	Bar Back Stop	1
11	32003	Bearing	2
12	32324	Seal Drum Yellow	8
13	32326	Housing Bearing Machined	2
14	35289	Latch Flex Draw	2
15	36574	Weld Trunnion Capped TPE	1
16	44284	Spacer Drum Shaft	1
17	44372	Pin Hinge	1
18	44380	Cowl Weld Mvbl LgPM	1
19	44381	Weld Cowl Stry	1
20	46042	Fitting Grease 1/4-18 ZN	4
21	47001	Cap Grease Fitting	4
22	47023	Grip Hand	1
23	47182	Latch Cowl	1
24	50295	Weld Frame 1200PM Pump Mixer	1
25	50298	Weld Guard Stry 1200PM Pump Mixer	1
26	50299	Weld Guard Moveable 1200PM	1
27	50300	Weld Drum 1200PM Pump Mixer	1
28	80042	NUTFX 3/8-16 ZN	1
29	80043	WSHR WROT 3/8 ZN	18
30	80051	NUTNY 1/2-13 ZN	7
31	80052	HHCS 1/2-13 x 6-1/2 ZN	1
32	80056	NUTNY 3/8-16 ZN	10

# Parts List


## Frame and Drum Assembly



# Parts List

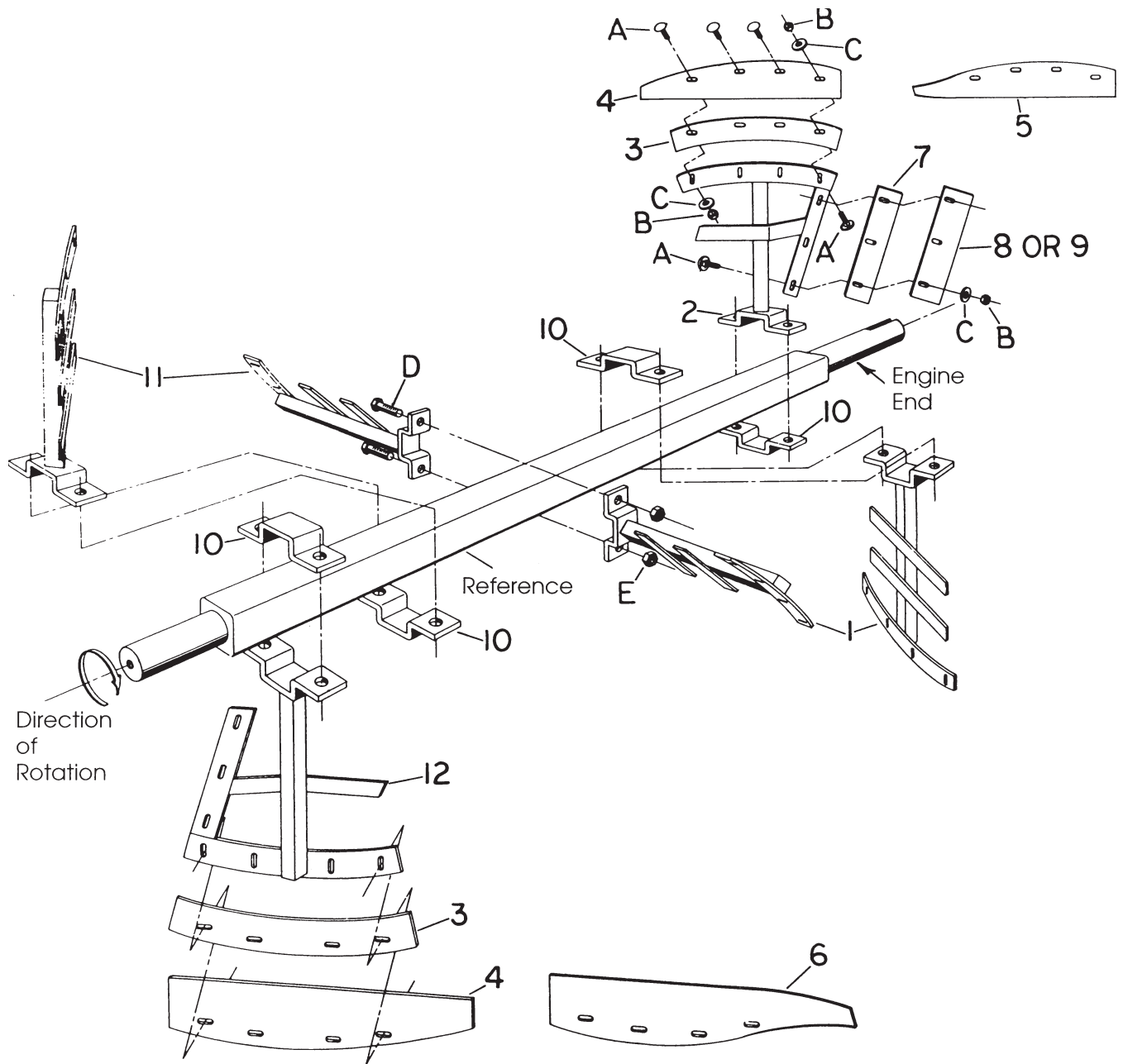
## Frame and Drum Assembly

Item	Part No.	Description	Qty.
33	80075	HHCS 1/2-13 x 1-1/2 Gr5 ZN	7
34	80114	NUTNY 5/16-18 ZN	6
35	80117	WSHRL 1/2 Med Split ZN	1
36	80119	WSHRLT Int/Ext 3/8	4
37	80145	HHCS 3/8-16 x 1-1/4 Gr5 ZN	9
38	80178	HHCS 3/8 - 16 x 2 Gr5 ZN	1
39	80316	PINCT 1/8 x 1-1/2 ZN	1
40	80325	NUTFL 3/8-16 Reg ZN	4
41	80343	WSHR SAE 1/2 ZN	4
42	80344	WSHR SAE 3/4 ZN	1
43	80495	WSHR SAE 5/16 ZN	6
44	81064	CRBLT 5/16-18 x 1.25	6

 **NOTE: If your mixer has a WELDED ON bearing housing you must purchase this bearing kit version: ST22153  
The ST23432 featured here is for the BOLT on version ONLY.**

# Parts List

# Paddle Assembly



lgpm\_pad.tif

# Parts List

# Paddle Assembly

Item	Part No.	Description	Qty.
1	22092-2	Paddle EEC	2
2	22093-2	Paddle EE	1
3	24106	Blade Rubber Long	6
4	28137-2	Back Bar Long (not required for steel blade option)	6
5	28197	Plaster Blade Curved Plated (option)	3
6	28198	Plaster Blade Curved Plated TPE (option)	3
7	24105	Blade Rubber Short	2
7a	24108-2	Blade Steel Short (option)	2
8	24103-2	Back Bar Short (not required for steel blade option)	2
9	28194	Plaster Blade Curved End (option)	2
10	26882-2	Paddle Clamp	4
11	22091-2	Paddle TPEC	2
12	22090-2	Paddle TPE	1
A	80041	CRBLT 3/8 - 16 X 1 - 1/4 ZN	30
B	80042	NUTFX 3/8 - 16 ZN	30
C	80043	WSHR 3/8 WROT ZN	30
D	80084	HHCS 5/8 - 11 X 2 - 1/2 ZN	10
E	80082	NUTNY 5/8 - 11 ZN	10

### Blade and Paddle Sets

1	22127	Set Steel Blades Includes (6) Item 4 and (2) Item 8	1
2	22101	Set Curved Steel Blades Includes (4) Item 6 and (2) Item 9	1
3	22133	Set Rubber Blades Includes (6) Item 3 & (2) Item 7 (not steel blades)	1
4	22098	Paddle Assy (specify steel or rubber) Includes (1) Items 1 and 2, (4) Items 3 and 5, (2) Items 6 and 8, (1) Items 10 and 11, and (22) Items A, B, C.	1



# Parts List

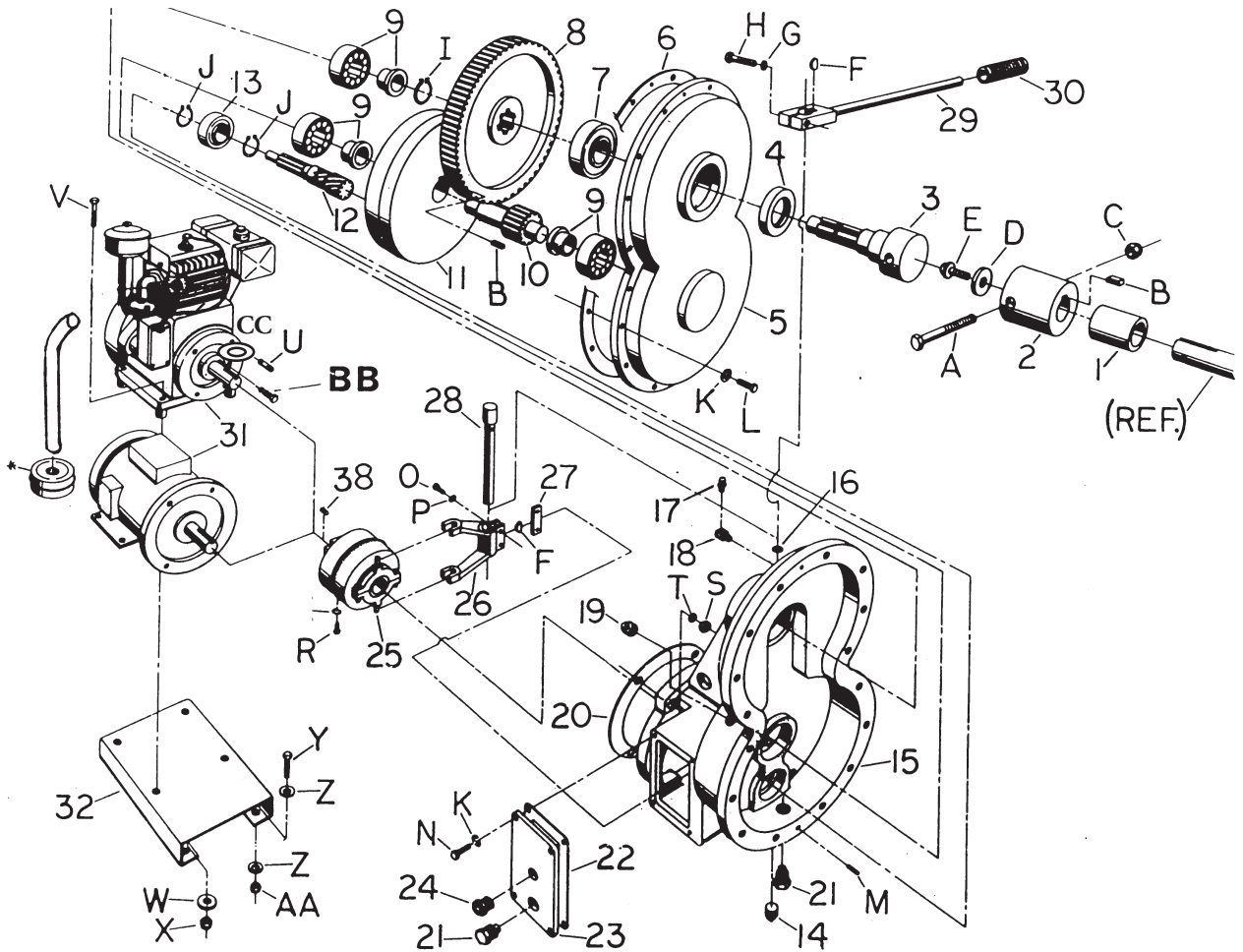
## Gearcase Assembly

Item	Part No.	Description	Qty.
1	44284	Spacer	1
2	28087	Coupling Shaft	1
3	28092	Shaft Output GB	1
4	35295	Seal Output Shaft	1
5	28085	Cover Gearcase	1
6	28088	Gasket Gearcase	1
7	32177	Bearing Ball	1
8	28098	Gear Output	1
9	32101	Roller Bearing	3
10	28097	Pinion Output	1
11	28096	Gear Internal	1
12	28095	Input Shaft & Pinion	1
13	32213	Bearing	1
14	44332	Plug 7/8-14 O-Ring	1
15	28084	Gearcase	1
16	47180	O-Ring	1
17	46064	Breather	1
18	46062	Connection Elbow	1
19	46107	Pipe Plug 1/2 NPT SQ HD	1
20	27010	Gasket Adapter Engine	1
21	46108	Magnetic Plug 1/2 IN	2
22	32253	Gasket Access Cover	1
23	42461-2	Cover Clutch Access	1
24	34096	Oil Sight Plug	1
25	30401	Clutch 1.00 Bore (11 Honda)	1
25a	30402	Clutch 1-1/8 Bore (9.2 Wisc)	1
26	28093	Clutch Fork	1
27	28181	Spacer Clutch Fork	1
28	28094	Shaft Clutch	1
29	22099-2	Handle Clutch	1
30	34765	Flex Grip	1
31	30612	Engine 9.2 Wisconsin	1
31a	30608	Engine 11hp Honda 1200PM Modified	1

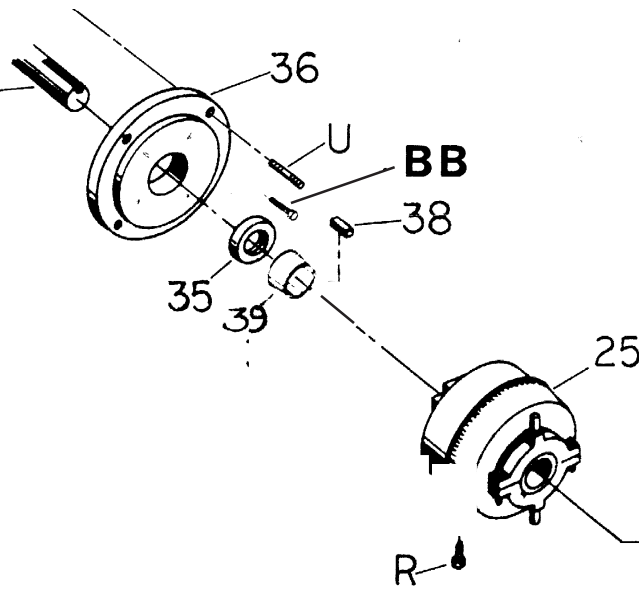
Note:

# Parts List

# Gearcase Assembly



**ENGINE  
SHAFT**



**11 hp Honda Only**

**TO INPUT SHAFT**

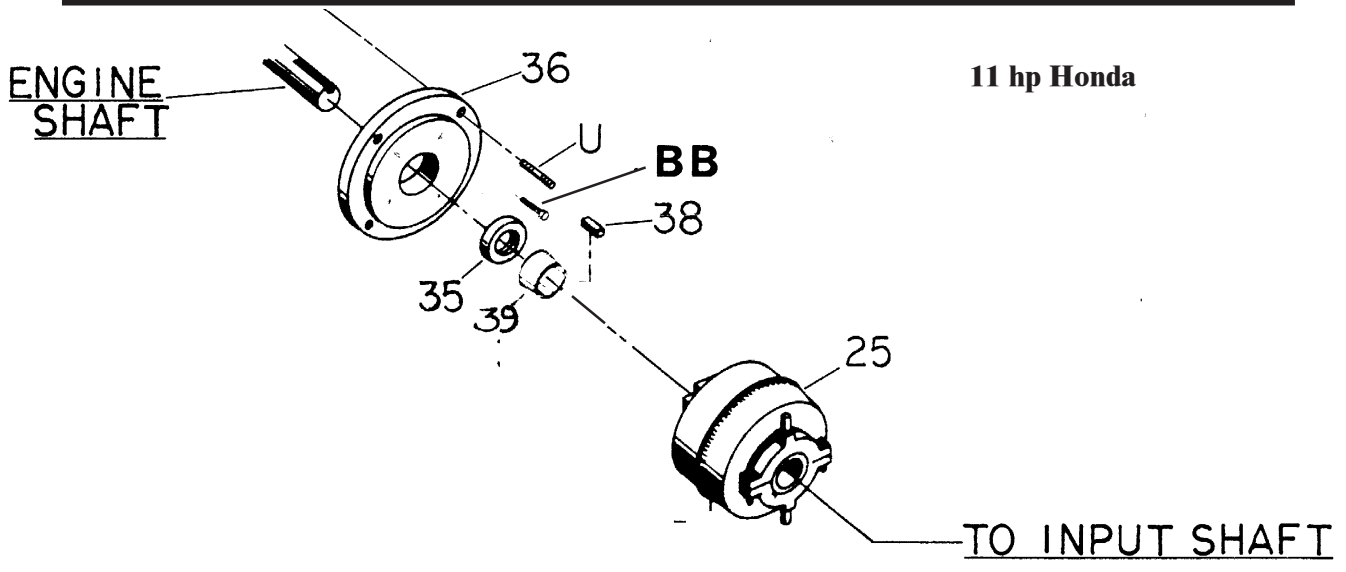
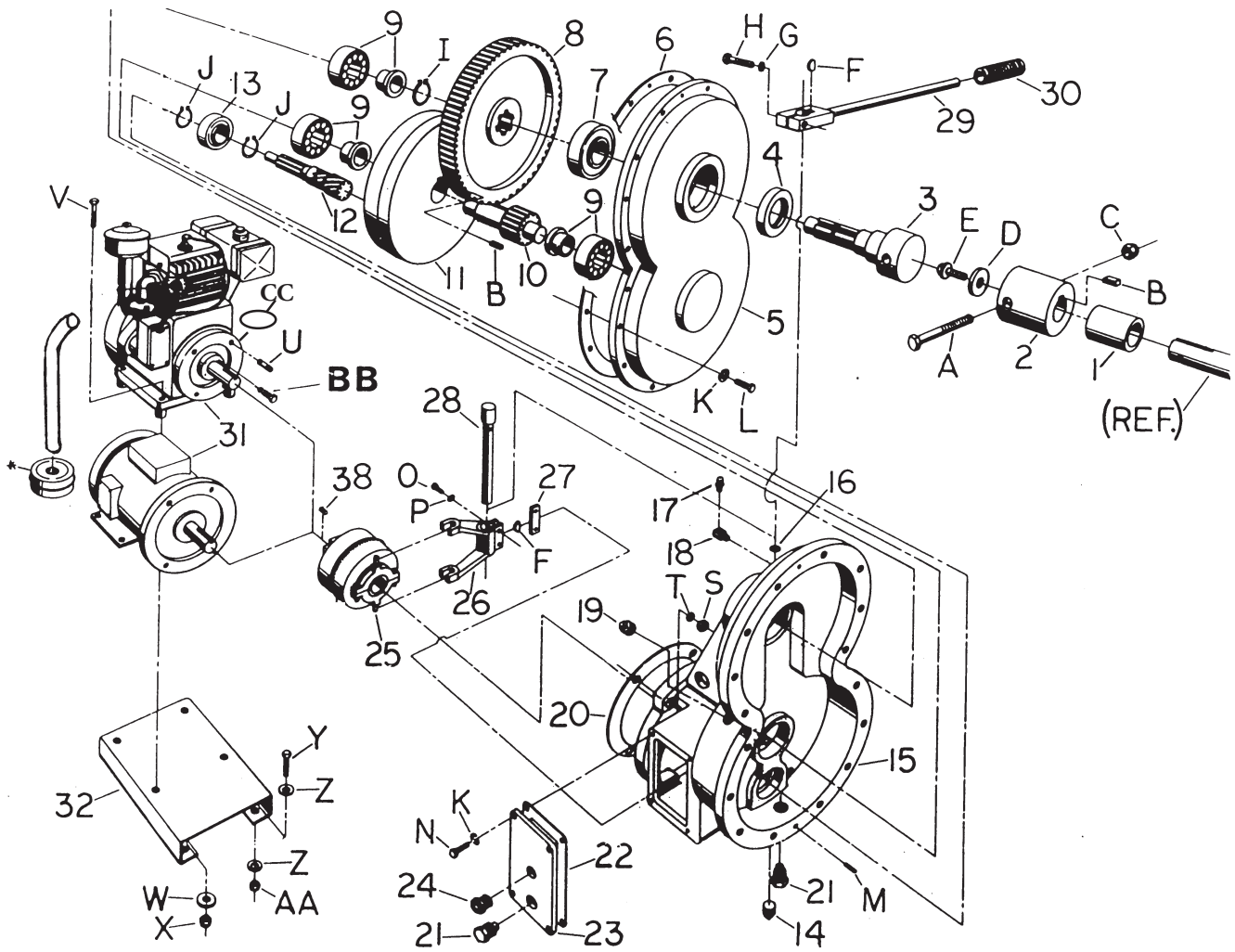
# Parts List

## Gearcase Assembly

Item	Part No.	Description	Qty.
32	28180-2	Base Motor Wisconsin	1
32a	28399-2	Base Motor Honda	1
35	32179	Oil Seal Honda	2
36	28398	Adapter Honda	1
38	80100	Key Clutch Adapter	1
39	28844	Bushing Shaft Honda	1
55^	22075	Gearcase Assy (Incl 3-13, 15, 19, 21, 23 & 24, B, I - N)	1

# Parts List

## Gearcase Assembly



# Parts List

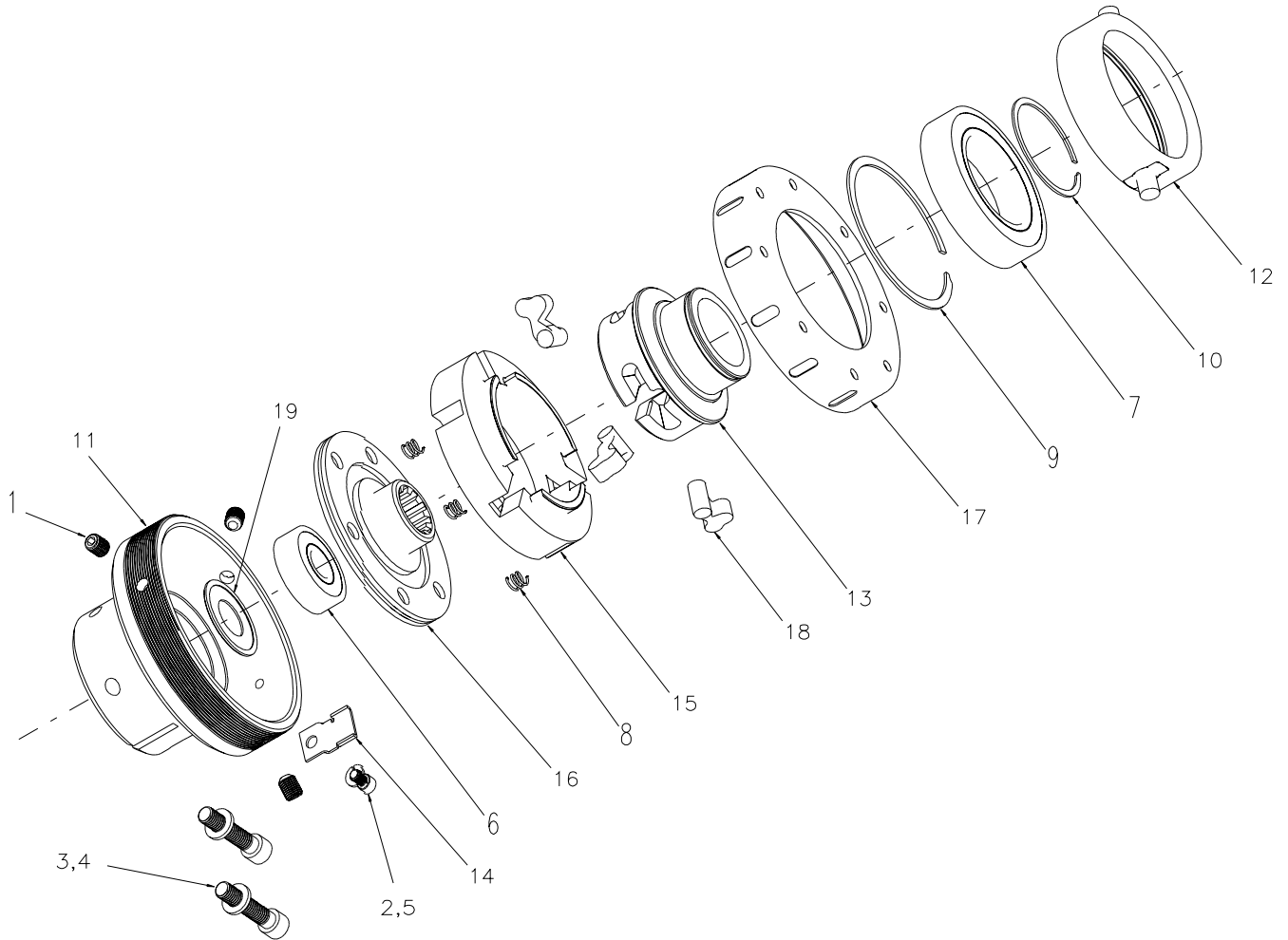
## Gearcase Assembly

Item	Part No.	Description	Qty.
A+	80520	HHCS 5/8 - 11 X 4 - 1/2 ZN Shear Bolt	1
B	81060	KEY 3/8 X 1 - 1/2	2
C	80082	NUTNY 5/8 - 11 ZN	1
D	26326	WSHR 9/16 X 1 - 3/4 X 1/4	1
E	80075	HHCS 1/2 X 13 X 1 - 1/2 ZN	1
F	80097	Key Woodruff	2
G	80058	WSHRL 3/8 Med Split ZN	1
H	80176	HHCS 3/8 - 16 Z 1 - 1/2 ZN	1
I	80099	Ring Retaining	1
J	80098	Ring Retaining	2
K	80086	WSHRL 5/16 Med Split ZN	22
L	80439	SHCS 5/16 - 18 X 1 ZN	10
L1	80607	SHCS 5/16 - 18 X 2 ZN	6
M	80002	PINDL 1/4 X 5/8	2
N	80159	HHCS 5/16 - 18 X 3/4 ZN	6
O	80354	HHCS 1/4 - 20 X 1 ZN	2
P	80116	WSHRL 1/4 Med Split ZN	2
S	80248	NUTFX 7/16-14	4
T	80335	WSHRL 7/16 Med Split	4
U	41039	Stud 7/16-14x1-7/8	4
V	80178	HHCS 3/8-16 x 2 (11 Honda)	4
V1	80055	HHCS 3/8-16 x 3 (Wisconsin)	4
W	26325	WSHR Motor Base PM	4
X	80056	NUTNY 3/8-16	4
Y	80089	HHCS 1/2-13x1-3/4	4
Z	80125	WSHR 17/32 x 1/16 x 3/16 ZN	8
AA	80051	NUTNY 1/2-13	4
BB	29469	SHCS Mod 3/8-16x1 (11Honda)	4
CC	80043	WSHR 3/8 Wrot ZN	5

Note:

# Parts List

# Clutch Assembly



# Parts List

## Clutch Assembly

Item	Part No.	Description	Qty.
1	30405	SHSS 3/8-24 x 5/8 Lg	3
2	30406	SHCS 1/4-28 x 3/8 Lg	1
3	30407	SHCS 3/8-16 x 1-3/4 Lg	2
4	30408	WSHRL 3/8 Split Blk	2
5	30409	WSHRL 1/4 Split Blk	1
6	30410	Bearing 6303 with 2 Shields	1
7	30411	Bearing 6011 with 2 Shields	1
8	30412	Compression Spring	3
9	30413	Retaining Ring	1
10	30414	Retaining Ring	1
11	30415	Housing 1.00 Bore	1
11a	30424	Housing 1.125	1
12	30416	Bearing Carrier	1
13	30417	Hub	1
14	30418	Lock Tab	1
15	30419	Pressure Plate	1
16	30420	Friction Disc Assembly	1
17	30422	Adjusting Nut	1
18	30423	Lever	3
19	30421	Bearing Stop Washer	1

# Parts List

# Decal Identification

**⚠ WARNING**



**Do not run machine with cover open.**

**⚠ WARNING**



**Shut off machine to service or clean.**

55010

**⚠ WARNING**

**Always stop engine when cleaning or adjusting machine. If electric motor pull plug.**

**⚠ CAUTION**




**FOR YOUR SAFETY**

- Read owner's service manual before operating or servicing this machine.
- Always keep unauthorized, inexperienced, untrained people away from this machine.
- Rotating and moving parts will cause injury if contacted. Make sure guards and safety devices are in place before this machine is operated.
- Make sure engine is shut down and spark plug wire disconnected before servicing the machine or approaching the moving parts- if electric motor, disconnect plug.
- Never leave machine unattended when operating. Always stop engine or motor before adding fuel or oil.

**NOTICE**

Contact the manufacturer immediately at 1-800-888-9926 if safety or hazard decals or owner's manual are missing from this equipment.

**CLEANING INSTRUCTION**



1. Keep drum guard closed.
2. Always keep guard lifter connected.
3. Keep drum in upright, mixing position.
4. Spray mixer with water before mix dries to remove accumulation.
5. Rotate drum to dump position to remove debris.

**⚠ WARNING:** Failure to follow this instruction and/or rotation of drum without guard lifter connected can result in serious injury. 55496

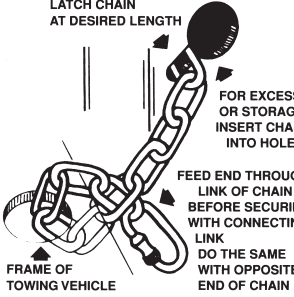
**⚠ DANGER**



**GASOLINE**  
Stop engine and extinguish all flames and smoking materials before refueling. Use a safety can.

**SAFETY CHAIN**

"PATENT #4180281"  
CROSS CHAIN UNDER TOW POLE WITH 4" - 5" VERTICAL SLACK  
LATCH CHAIN AT DESIRED LENGTH



FOR EXCESS OR STORAGE, INSERT CHAIN INTO HOLE

FEED END THROUGH LINK OF CHAIN BEFORE SECURING WITH CONNECTING LINK DO THE SAME WITH OPPOSITE END OF CHAIN

FRAME OF TOWING VEHICLE

**CAUTION**  
READ OPERATING INSTRUCTIONS BEFORE RUNNING MIXER  
55121

# Parts List

## Decal Identification

Item	Part No.	Description	Qty.
1^	55388	<b>Kit Decals PM &amp; CM Safety</b>	<b>1</b>
2	55010	Decal Warning Shut Off	1
3	55011	Decal Warning Cover	1
4	55127	Decal Warning Stop Engine	1
5	55128	Decal Danger Gasoline	1
6	55156	Decal Notice Missing Decals	1
7	55046	Decal Safety Instructions	1
8^	55402	<b>Kit Decals Standard Features, Grease and Safety</b>	<b>1</b>
9	55119	Decal Stoner/Features	1
10	55121	Decal Caution Safety Chain	1
11	55007	Decal Grease Weekly Blue	1
12	55417	Decal Engine	1
13	55496	Decal Instruction Drum Clean	1