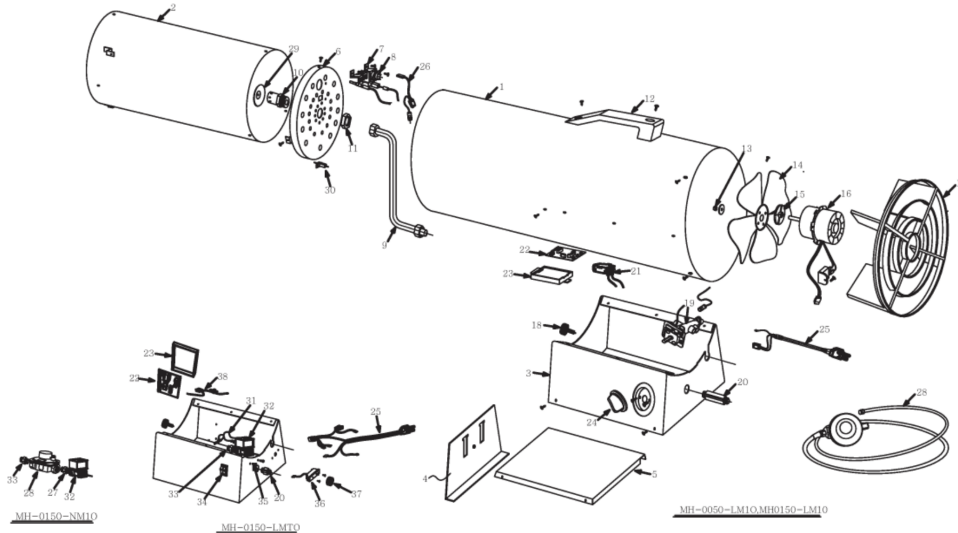




MH-0050-LM10 / MH-0050-LM10 (2012 Model Year)

## FRAME ASSEMBLY



Id	Item #	Description	Quantity	Rev	Comments
1	68-6097	OUTER SHELL (50 LP)	1		
1	68-6132	OUTER SHELL (150 LP)	1		
1	68-6133	OUTER SHELL (150T LP)	1		
1	68-6150	OUTER SHELL (150 NG)	1		
2	68-6043	INNER SHELL ASSEMBLY (50 LP)	1		
2	68-6044	INNER SHELL ASSEMBLY (150 & 150T LP, 150 NG)	1		
3	68-6127	BASE (50 LP)	1		
3	68-6129	BASE (150 LP)	1		
3	68-6121	BASE (150T LP)	1		
3	68-6124	BASE (150 NG)	1		
4	68-6151	HEIGHT CONTROLLER (50 LP)	1		
4	68-6152	HEIGHT CONTROLLER (150 & 150T LP, 150 NG)	1		
5	68-6086	BASE COVER - 50K BTU LP	1		
5	68-6087	BASE COVER - 150, 150T, 150NG	1		
6	68-6155	INNER SHELL CAP (50 LP)	1		
6	68-6052	INNER SHELL CAP (150 LP)	1		
6	68-6088	INNER SHELL CAP (150T LP, 150 NG)	1		
7	68-6054	MULTI-BRACKET ASSEMBLY (50 LP)	1		

<b>Id</b>	<b>Item #</b>	<b>Description</b>	<b>Quantity</b>	<b>Rev</b>	<b>Comments</b>
7	68-6062	MULTI-BRACKET ASSEMBLY (150 LP)	1		
7	68-6063	MULTI-BRACKET ASSEMBLY (150T LP, 150 NG)	1		
8	68-6156	THERMAL SWITCH (50 LP)	1		
8	68-6055	THERMAL SWITCH (150 LP)	1		
8	68-6090	THERMAL SWITCH (150T LP, 150 NG)	1		
9	68-6056	TUBING ASSEMBLY (50 LP)	1		
9	68-6057	TUBING ASSEMBLY (150 LP)	1		
9	68-6091	TUBING ASSEMBLY (150 NG)	1		
9	68-6158	TUBING ASSEMBLY (150T LP)	1		
10	68-6154	NOZZLE (50 LP)	1		
10	68-6059	NOZZLE (150 LP)	1		
10	68-6046	NOZZLE (150T LP)	1		
10	68-6093	NOZZLE (150 NG)	1		
11	68-6060	NOZZLE NUT (50 LP)	1		
11	68-6061	NOZZLE NUT (150 & 150T LP, 150 NG)	1		
12	68-6114	HANDLE	1		
13	C/F	FLANGE HEX NUT	1		
14	68-6064	FAN (50 LP)	1		
14	68-6065	FAN (150 & 150T LP, 150 NG)	1		
15	C/F	CUSHION PAD	1		
16	68-6067	MOTOR ASSEMBLY (50 LP)	1		
16	68-6068	MOTOR ASSEMBLY (150 LP)	1		
16	68-6098	MOTOR ASSEMBLY (150T LP & 150 NG)	1		
17	68-6069	GUARD (50 LP)	1		
17	68-6070	GUARD (150 & 150T LP, 150 NG)	1		
18	68-6071	ROUND BOLT	1		
19	68-6073	VALVE ASSEMBLY (50 LP)	1		
19	68-6074	VALVE ASSEMBLY (150 LP)	1		
20	68-6075	INLET CONNECTOR (50 & 150 LP)	1		
20	68-6159	INLET CONNECTOR (150T LP)	1		
20	68-6103	INLET CONNECTOR (150 NG)	1		
21	68-6076	SPARK MODULE (50 & 150 LP)	1		
21	68-6107	SPARK MODULE (150T LP, 150 NG)	1		
22	68-6077	PCB ASSEMBLY (50 & 150 LP)	1		
22	68-6104	PCB ASSEMBLY (150T LP, 150 NG)	1		
23	68-6078	PCB CASE (50 & 150 LP)	1		
23	68-6105	PCB CASE (150T LP, 150 NG)	1		
24	68-6079	VALVE KNOB (50 & 150 LP)	1		
25	68-6080	POWER CORD ASSEMBLY (50 & 150 LP)	1		

<b>Id</b>	<b>Item #</b>	<b>Description</b>	<b>Quantity</b>	<b>Rev</b>	<b>Comments</b>
25	68-6109	POWER CORD ASSEMBLY (150T LP, 150 NG)	1		
26	68-6081	THERMAL SWITCH CABLE (50 & 150 LP)	1		
26	68-6096	THERMAL SWITCH CABLE (150T LP, 150 NG)	1		
27	68-6101	MIDDLE CONNECTOR (150 NG)	1		
28	68-6083	REGULATOR ASSEMBLY (50 LP)	1		
28	68-6084	REGULATOR ASSEMBLY (150 & 150T LP)	1		
28	68-6100	REGULATOR ASSEMBLY (150 NG)	1		
29	68-6092	NOZZLE CAP (150 & 150T LP, 150 NG)	1		
30	68-6094	SENSOR PLUG BRACKET ASSEMBLY (150T LP, 150 NG)	1		
31	68-6106	SOLENOID CABLE (150T LP, 150 NG)	2		
32	68-6102	SOLENOID VALVE (150 NG)	1		
32	68-6157	SOLENOID VALVE (150T LP)	1		
33	68-6099	OUTLET CONNECTOR (150 NG)	1		
33	68-6160	OUTLET CONNECTOR (150T LP)	1		
34	68-6111	ON-OFF SWITCH (150T LP, 150 NG)	1		
35	68-6050	HEX BOLT (150T LP, 150 NG)	2		
36	68-6108	THERMOSTAT (150T LP, 150 NG)	1		
37	68-6110	THERMOSTAT KNOB (150T LP, 150 NG)	1		
38	68-6095	SENSOR CABLE (150T LP, 150 NG)	1		