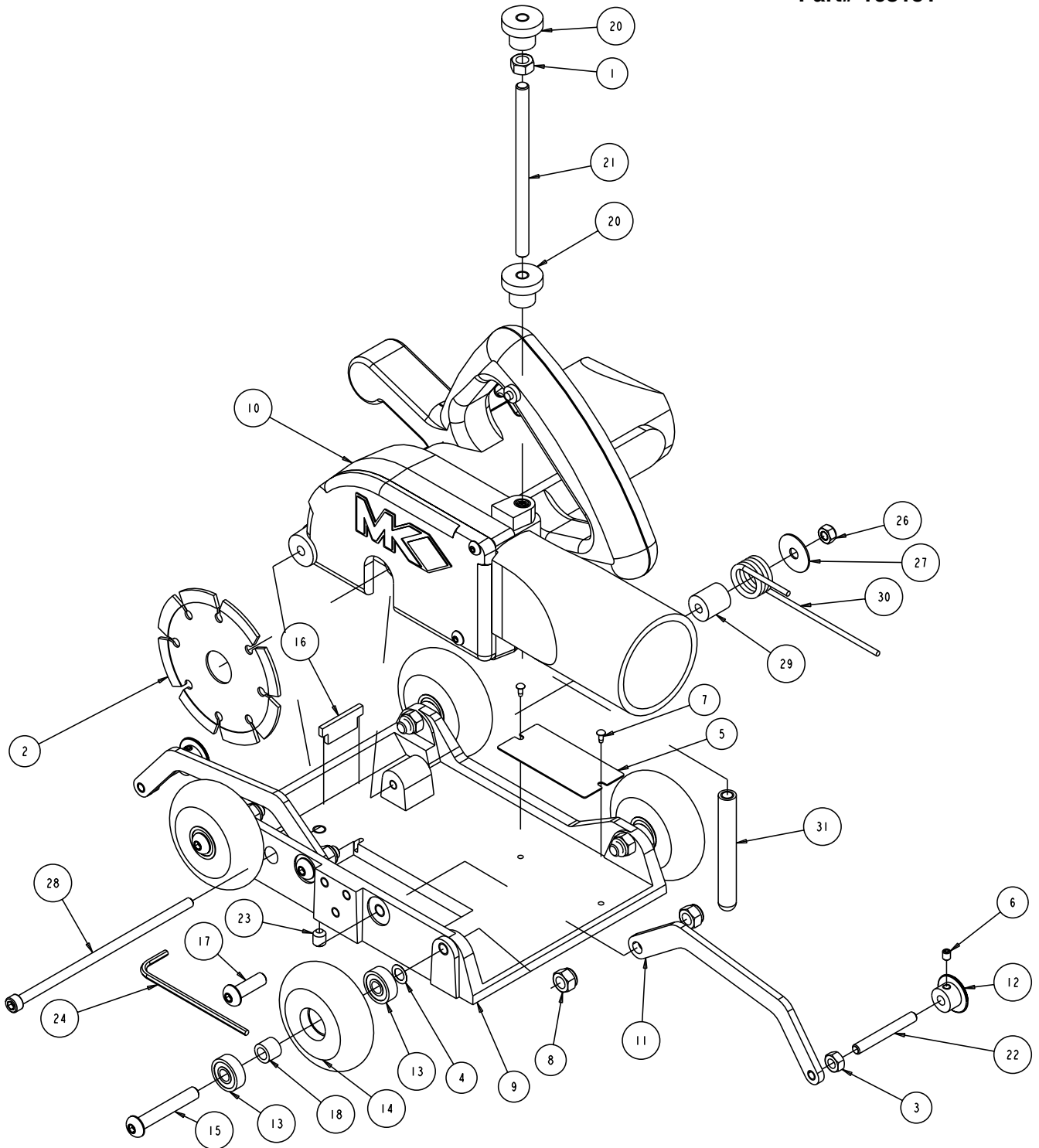
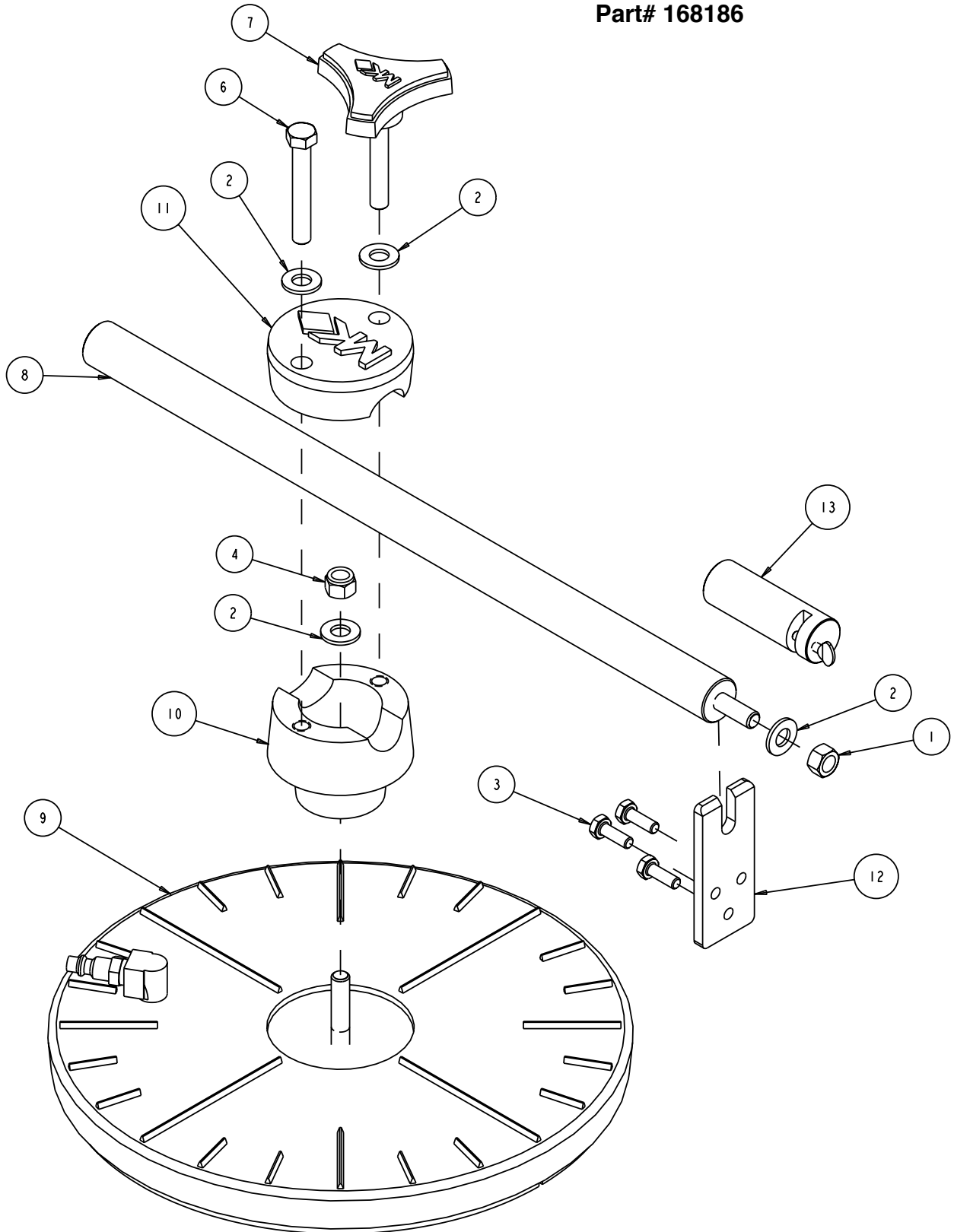


Part# 168151



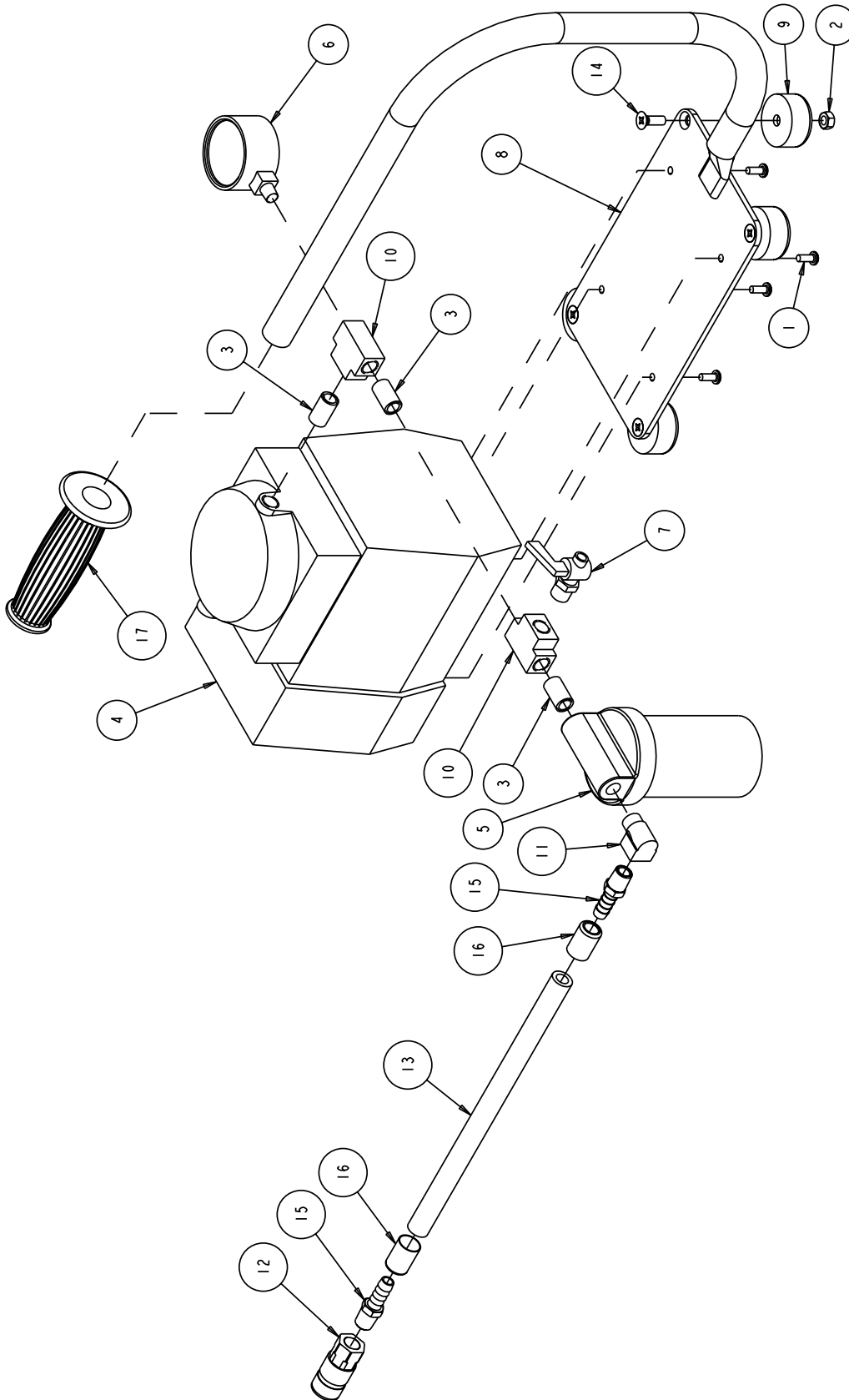
ITEM	DESCRIPTION	QTY.	PART#
1	NUT, HEX, 5/16 - 18	2	101196
2	BLADE, MK-304D 4 X 080X 20MM - 5/8	1	150686
3	NUT, HEX, 1/4 - 20	2	151893
4	SHIM, 1/2 OD X 5/16 ID X .004" THK.	4	152519
5	TAG, SERIAL NUMBER, BLANK	1	157500-RW
6	SCREW, SOCKET HEAD SET 10 -24 X 1/4	2	157552
7	DRIVE SCREW, #7 X 5/16 ROUND HEAD	2	157849
8	NUT, HEX, NYLK, 5/16 - 18	6	158289
9	CASTING, BASE COMP	1	168169
10	ASSY, CUTTING HEAD	1	168174
11	ARM, POINTER	2	168175
12	WHEEL, POINTER	2	168176
13	BEARING, WHEEL	8	168177
14	WHEEL, RUBBER 72MM	4	168178
15	SCREW, BHCS, 5/16 - 18 X 2	4	168195
16	WIPER, RUBBER	1	168217
17	SCREW, BHCS, 5/16 - 18 X 1	2	168219
18	SPACER, WHEEL 8MM X 12.7MM X 10MM	4	168235
19	OWNERS, MANUAL, MK-S	1	168238
20	KNOB, 5/16 - 18 X 1	2	168239
21	STUD, 5/16 - 18 X 5	1	168240
22	STUD, 1/4 - 20 X 2-1/2	2	168241
23	SCREW, SOC HD SET, 5/16 18 X 3/8	1	168242
24	WRENCH, 1/8 HEX KEY	1	168263
25	LABEL, CARTON, MK-S	1	168553
26	NUT, HEX, NYLK, M6 - 1.0	1	168048
27	WASHER, FENDER, 1/4 X 1	1	168049
28	SCREW, CAP, SOC HD, M6 X 1 X 150MM	1	169050
29	SPACER, 1/4 X 11/16 X 3/4	1	168051
30	SPRING, TORSION, 35 IN-LB	1	168052
31	PIN, STOP, THREADED	1	168085

MK-S Scoring Saw Kit, Vacuum
Part# 168186



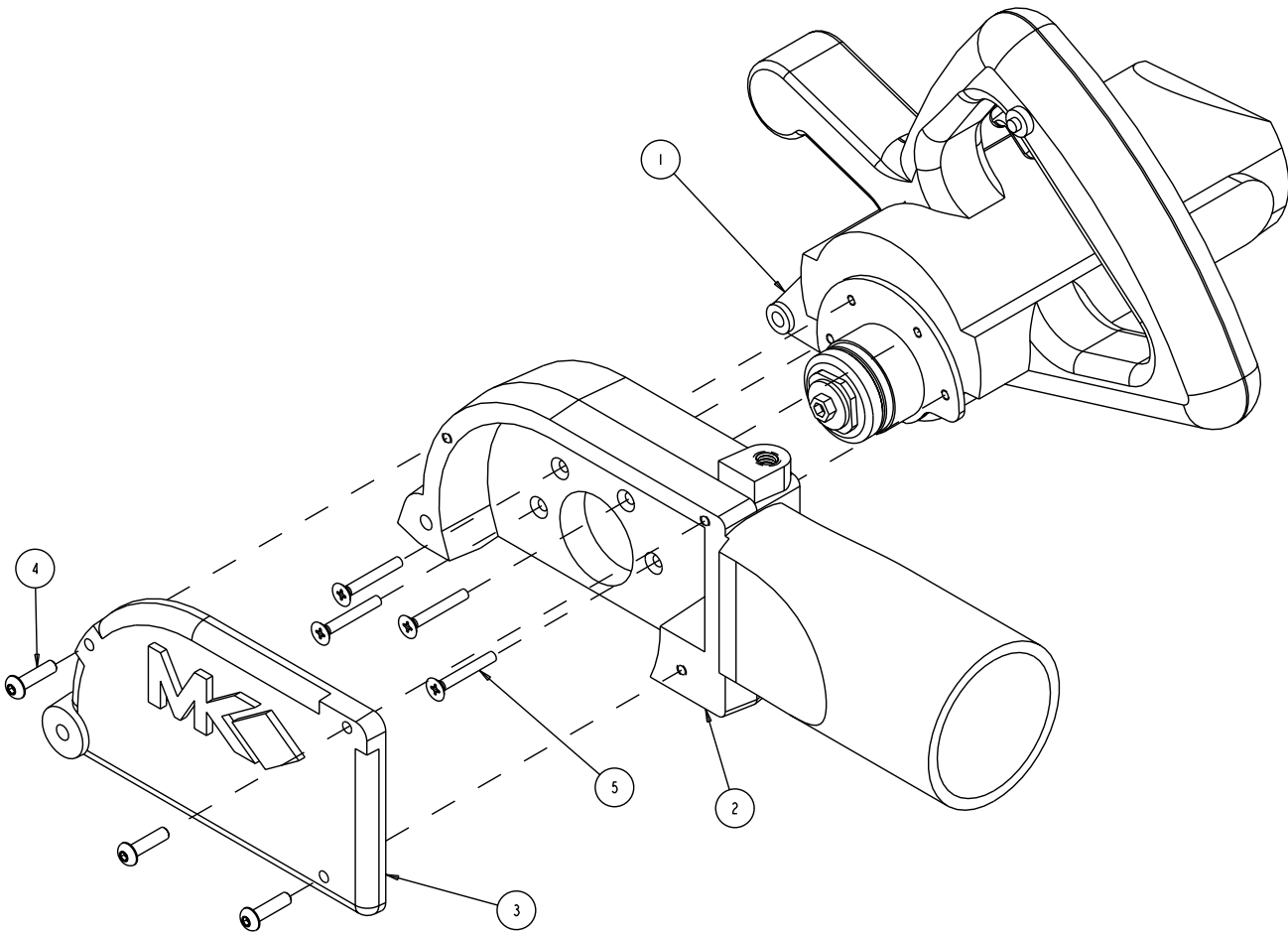
ITEM	DESCRIPTION	QTY.	PART#
1	NUT, 3/8 - 16 HEX	1	101188
2	WASHER 3/8 SAE FLAT	4	150923
3	SCREW, HEX HD, 1/4 - 20 X 3/4	3	152370
4	NUT, 3/8 - 16 NYLOK HEX	1	152505
5	ASSY, VACUUM PUMP W/HANDLE 110V	1	154741
6	BOLT, 3/8 -16 X 2-1/2 HEX HEAD TAP	1	155589
7	KNOB, TRI PLASTIC MK-770 2-1/4	1	156770-04
8	ASSY, PIVOT BAR	1	168182
9	ASSY, VACUUM BASE	1	168183
10	CASTING, BOSS, PIVOT, - COMP	1	168189
11	CASTING, CAP, PIVOT, - COMP	1	168191
12	BRACKET, CENTER	1	168198
13	ASSY, MARKER HOLDER	1	168247

Common Part Assy, Vacuum Pump
w/handle 110V
Part# 154741



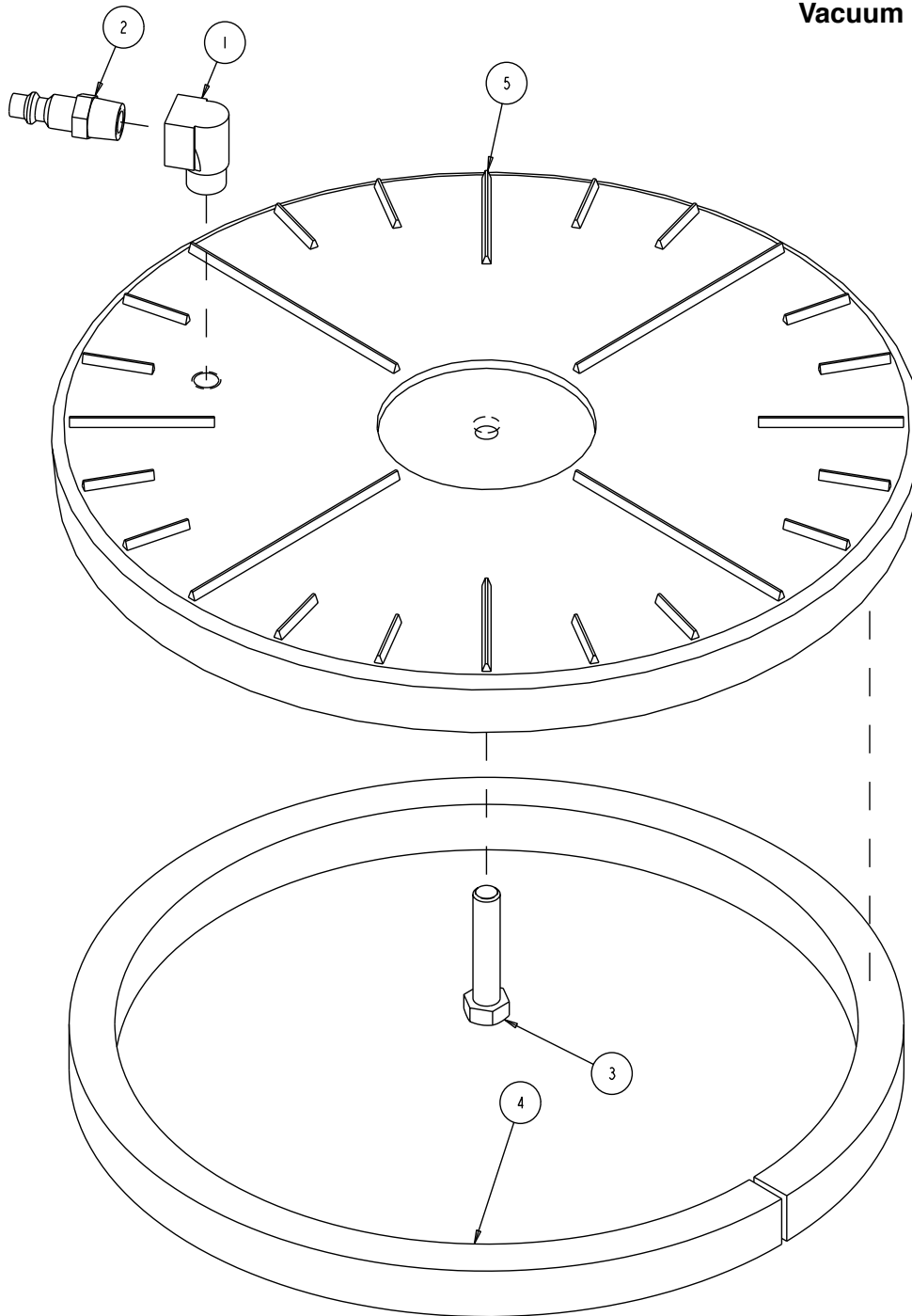
ITEM	DESCRIPTION	QTY.	PART#
1	SCREW, 10-32 X 1/2 PAN HEAD PHILLIPS MACHINE	4	151052
2	NUT, HEX, 14 - 20	4	151893
3	NIPPLE, 1/4 NPT X CLOSE GALV	3	152598
4	PUMP, VACUUM MANTA CORE DRILL	1	154475
5	FILTER, WATER	1	154476
6	GAUGE, VACUUM	1	154477
7	VALVE, PETCOCK 1/4" MIP	1	154488
8	BASE, VACUUM PUMP	1	154495
9	BUPER, 1-12/ OD X 1/4 ID X 3/4	4	154496
10	FITTING, T 1/4 X 1/4 X 1/4 NPT	2	154497
11	ELBOW, 1/4MNPT STREET	1	154615
12	COUPLER, BODY 1/4 FNPT	1	154617
13	HOSE, AIR 3/8" ID, 6'	1	154656
14	SCREW, 1/4 - 20 X 3/4 FLAT HEAD PHILLIPS MACHINE	4	154657
15	FITTING, 1/4 MNPT X 3/8 BARB	2	154659
16	HOSE, FERRULE .625 ID BRASS	2	154660
17	GRIP, HANDLE 7/8 ID	1	158608

Part# 168174
Cutting Head Assembly



ITEM	DESCRIPTION	QTY.	PART#
1	SAW, MAKITA	1	168149
2	CASTING, MOTOR MT-COMP	1	168171
3	CASTING, COVER, COMP	1	168173
4	SCREW, BHCS, #10 - 24 X3/4	3	168216
5	SCREW, FLAT HD, M4 - 7 X 30MM	4	168220

Part# 168183
Vacuum Base Assembly



ITEM	DESCRIPTION	QTY.	PART#
1	ELBOW, 1/4MNPT STREET	1	154615
2	COUPLING, PLUG, 1/14 X 1/4MNPT	1	154658
3	SCREW, 3/8 -16 X 1-3/4 HEX HD	1	158398
4	GASKET, 5/8 X 3/4 X 36	1	168185
5	CASTING, VACUUM BASE-COMP	1	168194