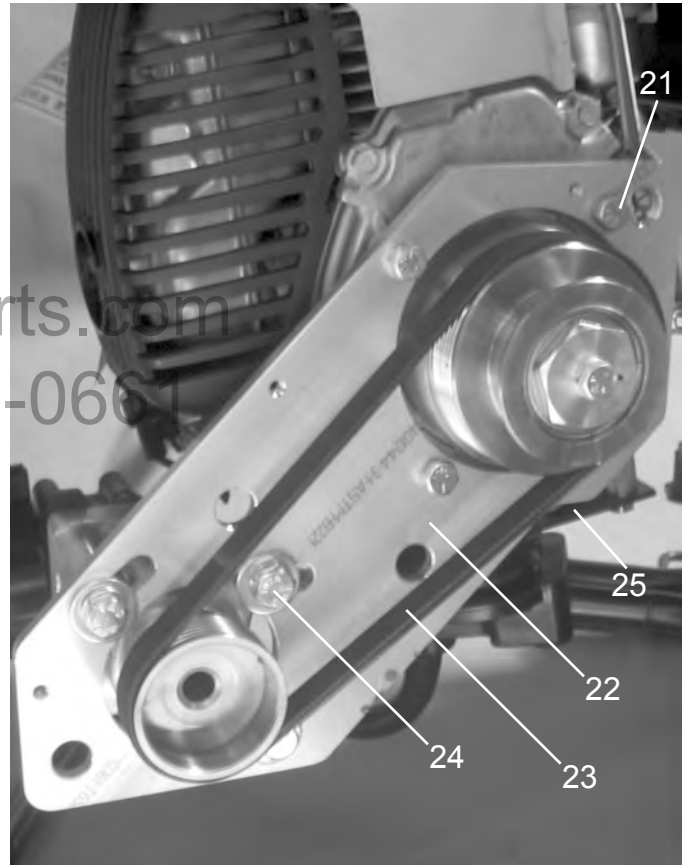


**MOTOR ASSEMBLY - PARTS LIST**

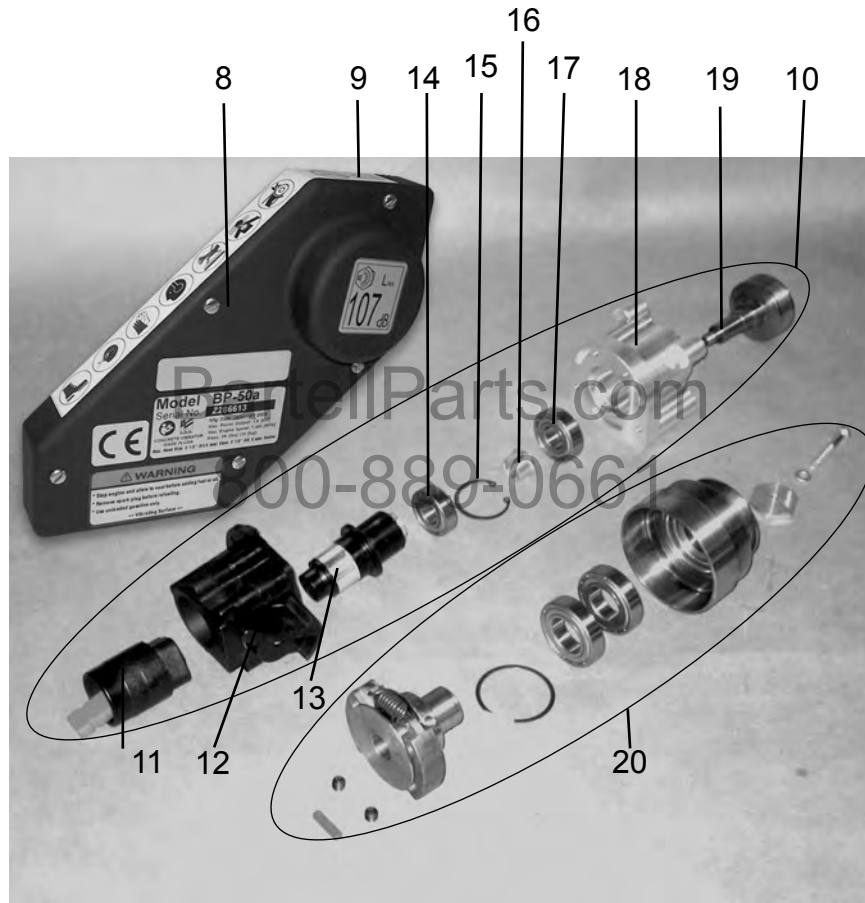
**MODEL BP-50a**



BartellParts.com  
800-889-0661

## MOTOR ASSEMBLY - PARTS LIST

### MODEL BP-50a



Ref. #	Description	Part #
1	BP-31, BP-35, BP-40, BP-50 FRAME	374AR1
2	HONDA GXH-50 4-STROKE ENGINE	6850X1
2a	BP-50 RECOIL STARTER	RECOIL50
3	BP-50 (RT) SPIDER ASSY.	170D2
4	BP RUBBER SHOCK MOUNTS (3)	319D1
5	BP-50 ROTARY THROTTLE COMPLETE	31G1
5a	BP-50 THROTTLE ARM ASSY.	316A1
5b	BP-50 ROTARY THROTTLE CONTROL BOX.	399A1
6	BACKPACK PAD With VELCRO STRAP	45B1
7	BACKPACK SHOULDER STRAP ASSY.	478C1
8	SCREW & RETAINING WASHER (5)	111N106
9	BP-50 BELT GUARD	346P1
10	BP-50 COMPLETE DRIVEN BLOCK ASSY.	6750G1
11	MORRISON QD CASING COUPLING ASSY.	217A1
12	MORRISON CASING ADAPTER ASSY.	270MX1
13	MORRISON QD CORE ADAPTER ASSY.	271GT1
14	BEARING (6202-ZZ)	207R3
15	SNAP RING, BEARING HOUSING	398D1
16	BP-50 BEARING BLOCK SPACER	462BE1

Ref. #	Description	Part #
17	BEARING (6203-ZZ)	207R4
18	BP-50 BEARING HOUSING ASSY.	398D1
19	BP-50 DRIVEN PULLEY	265K1
20	BP-50 COMPLETE CLUTCH ASSY.	363A1
21	TRANS. PLATE SCREW 1/4-28 X 3/4" (4)	58B3
22	BP-50 TRANSMISSION MOUNTING PLATE	386CK
23	BP-50 POLY-V BELT, 6 GROOVE	37D3
24	BEARING BLOCK HOUSING SCREWS (3)	58A28
25	BP-50a ENGINE BASE ASSY.	386CL2