

# Earthquake®

GROUNDBREAKING POWER EQUIPMENT

Illustrated Parts Breakdown  
Illustration des pièces détachées

**Versa™**

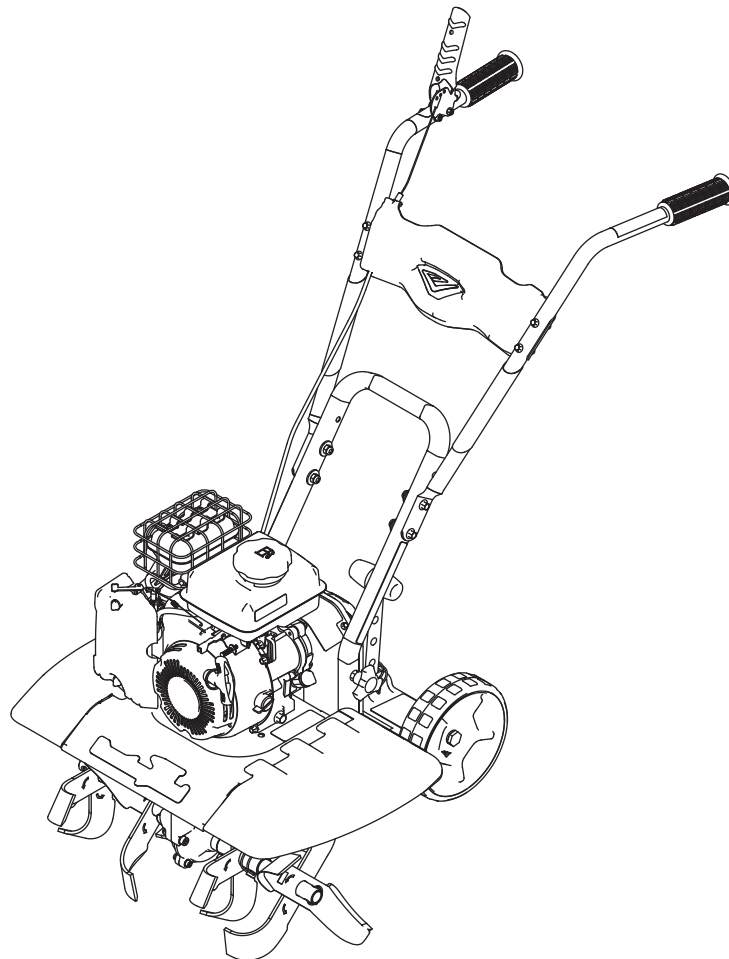
Compact Tiller Cultivator

**Model Number, Numéros de modèle :  
20015, 25780**

ENGLISH

FRANÇAIS

S/N

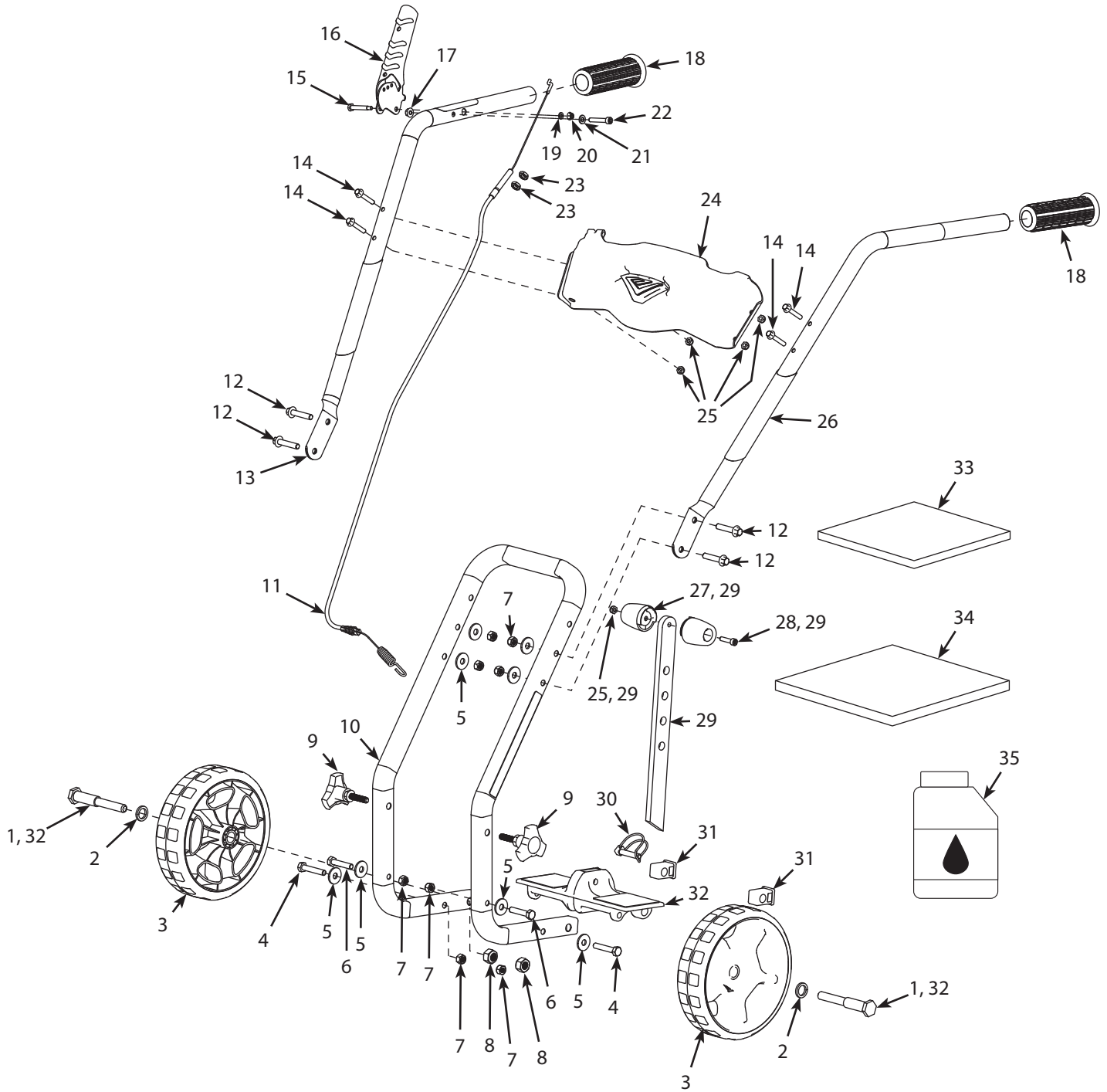


© 2020 Ardisam  
All Rights Reserved  
Tous droits réservés  
P/N: 37022  
ECN: 12885  
REV 1: 03/24/2020



THIS INSTRUCTION BOOKLET CONTAINS IMPORTANT SAFETY INFORMATION. PLEASE READ AND KEEP FOR FUTURE REFERENCE.  
CE LIVRET D'INSTRUCTIONS CONTIENT DES INFORMATIONS IMPORTANTES SUR LA SÉCURITÉ. VEUILLEZ LE LIRE ET LE CONSERVER POUR TOUTE CONSULTATION EXTÉRIEURE.

**ILLUSTRATED PARTS BREAKDOWN / ILLUSTRATION DES PIÈCES DÉTACHÉES - Handlebar Assembly**



**ILLUSTRATED PARTS BREAKDOWN / ILLUSTRATION DES PIÈCES DÉTACHÉES - Handlebar Assembly**

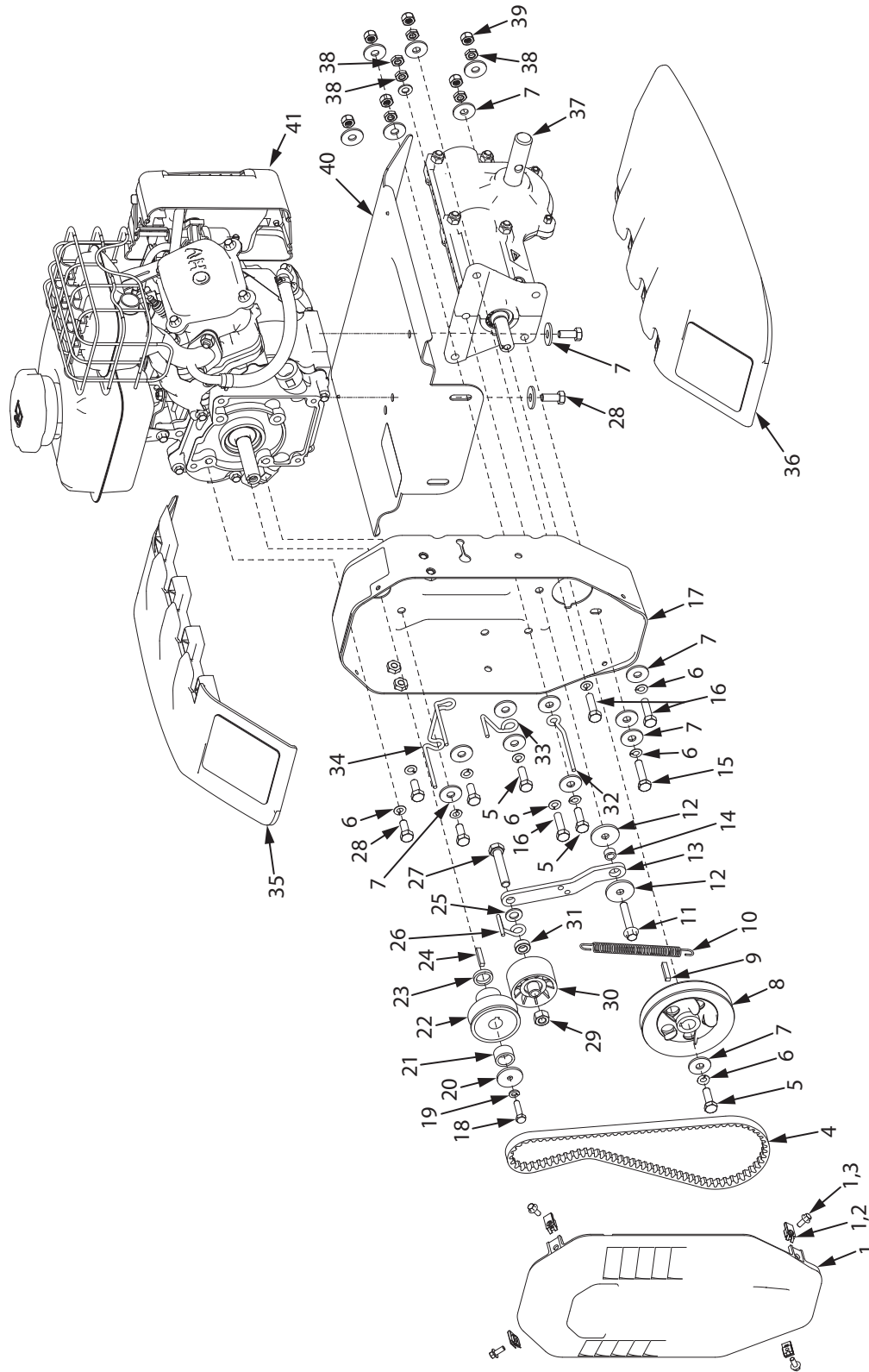
REF. / REP.	PART NO. / N° RÉF.	DESCRIPTION	QTY. / QTÉ
1	25985	BOLT SHOULDER M12X1.75X104 MM HEX HEAD	2
2	10517	WASHER 16 X 25 X 2.5 MM	2
3	28177	WHEEL 8 IN OD X 16 MM ID GREY HUB	2
4	18098	BOLT M8 X 1.25 X 45 MM HEX HEAD	2
5	3245	WASHER M8 X 24 X 2 MM	8
6	12770	BOLT M8 X 1.25 X 40 MM HEX HEAD	2
7	400023	NUT M8 X 1.25 MM NYLOCK	8
8	17987	NUT M12 X 1.25 MM	
9	20057	KNOB THREE STAR BOLT	2
10	25694	FRAME HANDLEBAR MOUNT BLACK	1
11	30267	CABLE DRIVE CONTROL	1
12	19922	BOLT M8 X 1.25 X 40 MM HEX FLANGE	4
13	30289	HANDLEBAR RIGHT	1
14	28473	BOLT M6 X 1.0 X 45 MM HEX FLANGE	4
15	13159	BOLT SHOULDER M5X0.75X7 MM HEX HEAD	1
16	14902	CONTROL LEVER BLACK	1
17	13599	NUT M6 X 1.0 MM FLANGE NYLOCK	1
18	13833	HANDLE GRIP	2
19	3308	WASHER M5 X 10 X 1 MM	1
20	3248	NUT M5 X 0.8 MM FLANGE NYLOCK	1
21	W1200117	WASHER M6 X 12 X 1 MM	1
22	20347	BOLT M6 X 1.0 X 35 MM SOCKET HEAD	1

REF. / REP.	PART NO. / N° RÉF.	DESCRIPTION	QTY. / QTÉ
23	4620	NUT M8 X 1.25 MM HEX JAM	2
24	28216	DASH WITH BADGE	1
25	W1265V0913	NUT M6 X 1.0 MM NYLOCK	5
26	30290	HANDLEBAR WITH WARING LEFT	1
27	28210	HANDLE DRAG STICK GREEN	2
28	13222	BOLT M6 X 1.0 X 25 MM SOCKET HEAD	1
29	28209	DRAG STAKE ASSEMBLY	1
30	18039	LOCK PIN 8 X 40 MM	1
31	20056	PLUG SQUARE TUBE END BLACK	2
32	24814	CASTING DRAG STAKE WITH MOUNT BOLTS	1
33*	28275	HARDWARE PARTS BAG 20015	1
33**	28430	HARDWARE PARTS BAG 25780	1
34	37021	MANUAL PARTS BAG 20015, 25780	1
35	20164	OIL 10W30 1 QT BOTTLE	1

\* Model 20015 only

\*\* Model 25780 only

**ILLUSTRATED PARTS BREAKDOWN / ILLUSTRATION DES PIÈCES DÉTACHÉES - Chassis Assembly**



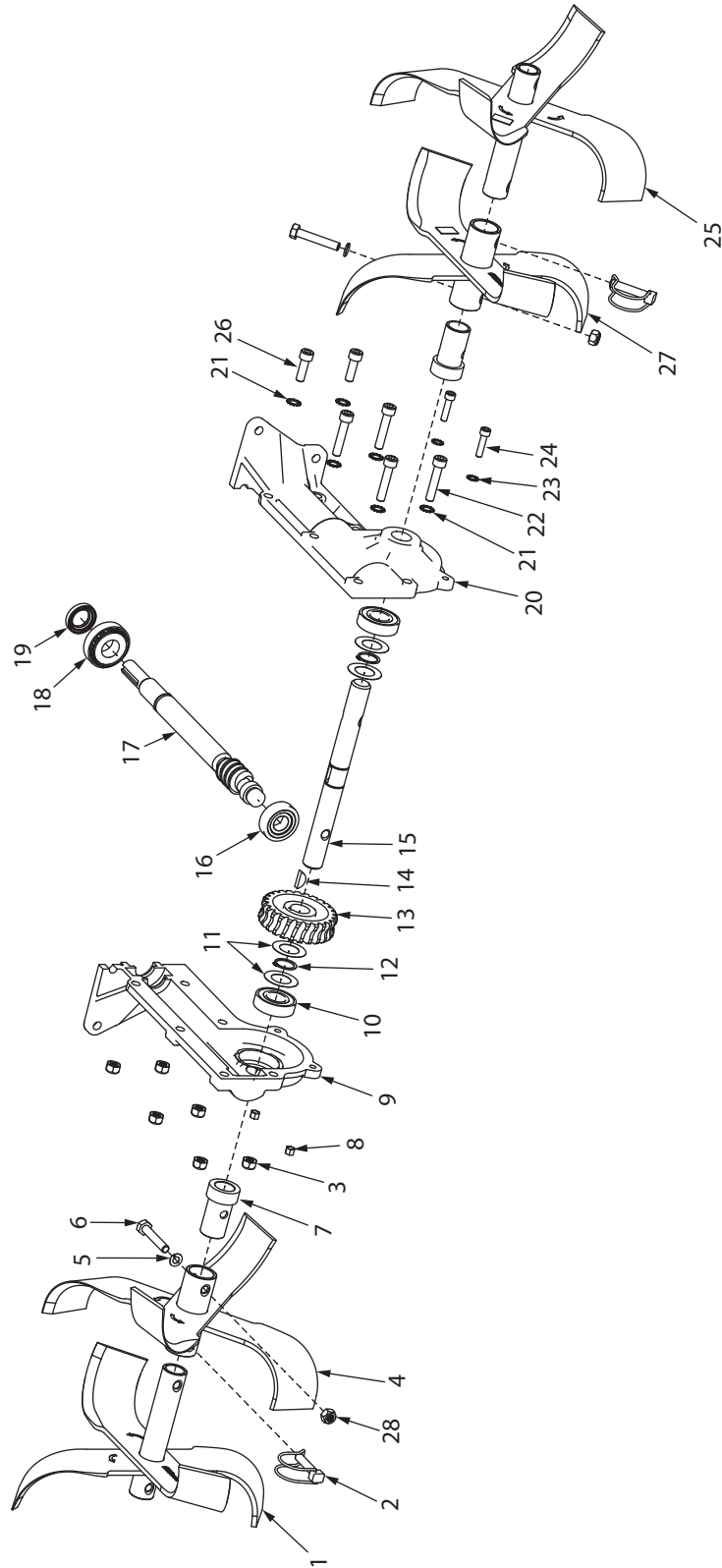
**ILLUSTRATED PARTS BREAKDOWN / ILLUSTRATION DES PIÈCES DÉTACHÉES - Chassis Assembly**

REF. / REP.	PART NO. / N° RÉF.	DESCRIPTION	QTY. / QTÉ
1	23552	PULLEY BOX COVER & HARDWARE	1
2	23873	CAGE NUT M5 X 0.8	2
3	400018	BOLT M5 X 0.8 X 12 HEX FLANGE	4
4	20343	BELT 12 X 728 TYPE 4L TOOTH	1
5	13826	BOLT M8 X 1.25 X 25 HEX HEAD	3
6	21640	WASHER M8 SPRING LOCK	11
7	3245	WASHER M8 X 24 X 2 FLAT	18
8	20067	PULLEY TRANSMISSION FLUTED	1
9	21819	KEY 5 X 25 MM SQUARE	1
10	23506	EXTENSION SPRING 120.4 X 1.65	1
11	3247	BOLT M8 X 1.25 X 45 HEX FLANGE	1
12	23982	WASHER 8.5 X 32.5 X 3 MM FLAT	2
13	20060	FORWARD IDLER ARM STEEL	1
14	23981	BUSHING 8 X 12.5 X 7 MM STEEL	1
15	20816	BOLT M8 X 1.25 X 35 HEX HEAD	1
16	17983	BOLT M8 X 1.25 X 30 HEX HEAD	3
17	25814	PULLEY BOX STEEL	1
18	23511	BOLT M6 X 1.0 X 25 HEX HEAD	1
19	W1200116	WASHER M6 SPRING LOCK	1
20	20344	WASHER M6 X 29.5 X 3 FLAT	1
21	20244	BUSHING 16 X 12 X 22 MM STEEL	1
22	18022	PULLEY ENGINE SINGLE GROOVE	1
23	20246	BUSHING 16 X 4 X 22 MM STEEL	1

REF. / REP.	PART NO. / N° RÉF.	DESCRIPTION	QTY. / QTÉ
24	23512	KEY 4.8 X 25 MM SQUARE	1
25	2431	WASHER M10 X 20 X 2 FLAT	1
26	22563	WIRE BELT CATCH SINGLE LOOP	1
27	21600	BOLT M10 X 1.5 X 55 HEX HEAD	1
28	W1265V0904	BOLT M8 X 1.25 X 20 HEX HEAD	6
29	3235	NUT M10 X 1.5 TOPLOCK	1
30	32995	IDLER PULLEY NYLON	1
31	36349	SPACER 10 X 18 X 6 MM	1
32	20345	WIRE BELT GUIDE RIGHT	1
33	25038	WIRE BELT GUIDE LEFT	1
34	20059	WIRE BELT GUIDE DOUBLE LOOP	1
35	26339	TUFFLEX TINE SHIELD LEFT	1
36	26340	TUFFLEX TINE SHIELD RIGHT	1
37	29809	TRANSMISSION 12.5:1 WEBBED	1
38	4620	JAM NUT M8 X 1.25	6
39	400023	NUT M8 X 1.25 NYLOCK	6
40	20061	CENTER TINE SHIELD STEEL	1
41*	31792	ENGINE 99CC VIPER KIT	1

\*See engine IPB for ordering engine service parts

ILLUSTRATED PARTS BREAKDOWN / ILLUSTRATION DES PIÈCES DÉTACHÉES - Transmission Assembly



**ILLUSTRATED PARTS BREAKDOWN / ILLUSTRATION DES PIÈCES DÉTACHÉES - Transmission Assembly**

REF. / REP.	PART NO. / N° RÉF.	DESCRIPTION	QTY. / QTÉ
1	13905	TINE SET OUTER RIGHT	1
2	18039	LOCK PIN 8 X 40 MM	2
3	400023	NUT M8 X 1.25 NYLOCK	6
4	29812	TINE SET INNER RIGHT M10 HOLE	1
5	W1200119	WASHER M10 SPRING LOCK	2
6	20016	BOLT M10 X 1.5 X 45 HEX HEAD	2
7	29810	SLEEVE TINE SHAFT STEEL M10 HOLE	2
8	W1265V0913	NUT M6 X 1.0 NYLOCK	2
9*	---	TRANSMISSION CASTING RIGHT	1
10	3309	BEARING 6004 2RS	2
11	21814	SPACER BEARING	4
12	21816	RETAINING RING 3AM1-20	2
13	20065	GEAR 25 TOOTH BRONZE	1
14	21817	KEY 5 X 7.5 X 19 MM WOODRUFF	1
15	29808	TINE SHAFT 209 MM M10	1
16	331021	BEARING TAPERED 30203	1
17	24900	DRIVE SHAFT WORM GROOVED	1
18	3220	BEARING 30204	1
19	331042	SEAL 20 X 32 X 6 MM	1

REF. / REP.	PART NO. / N° RÉF.	DESCRIPTION	QTY. / QTÉ
20*	---	TRANSMISSION CASTING LEFT	1
21	21810	WASHER M8 EXTERNAL TOOTH	6
22	21808	BOLT M8 X 1.25 X 40 SOCKET HEAD	4
23	21818	WASHER M6 EXTERNAL TOOTH	2
24	14375	BOLT M6 X 1.0 X 25 SOCKET HEAD	2
25	13904	TINE SET OUTER LEFT	1
26	400022	BOLT M8 X 1.25 X 25 SOCKET HEAD	2
27	29813	TINE SET INNER LEFT M10 HOLE	1
28	W1265V0903	NUT M10 X 1.5 NYLOCK	2

\* Right and left castings sold as complete transmission 29809 assembly only