



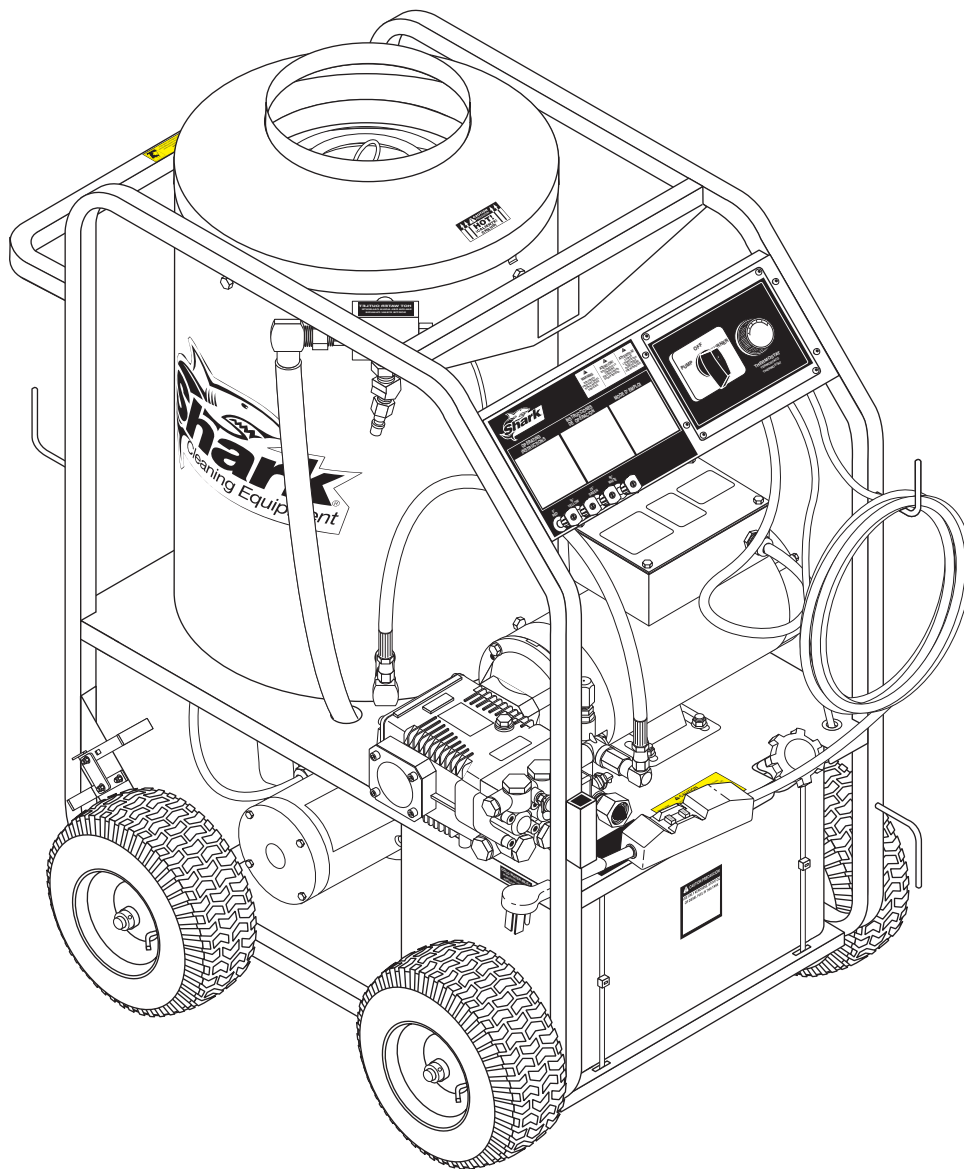
# MODEL: STP

## OPERATING INSTRUCTION AND PARTS MANUAL

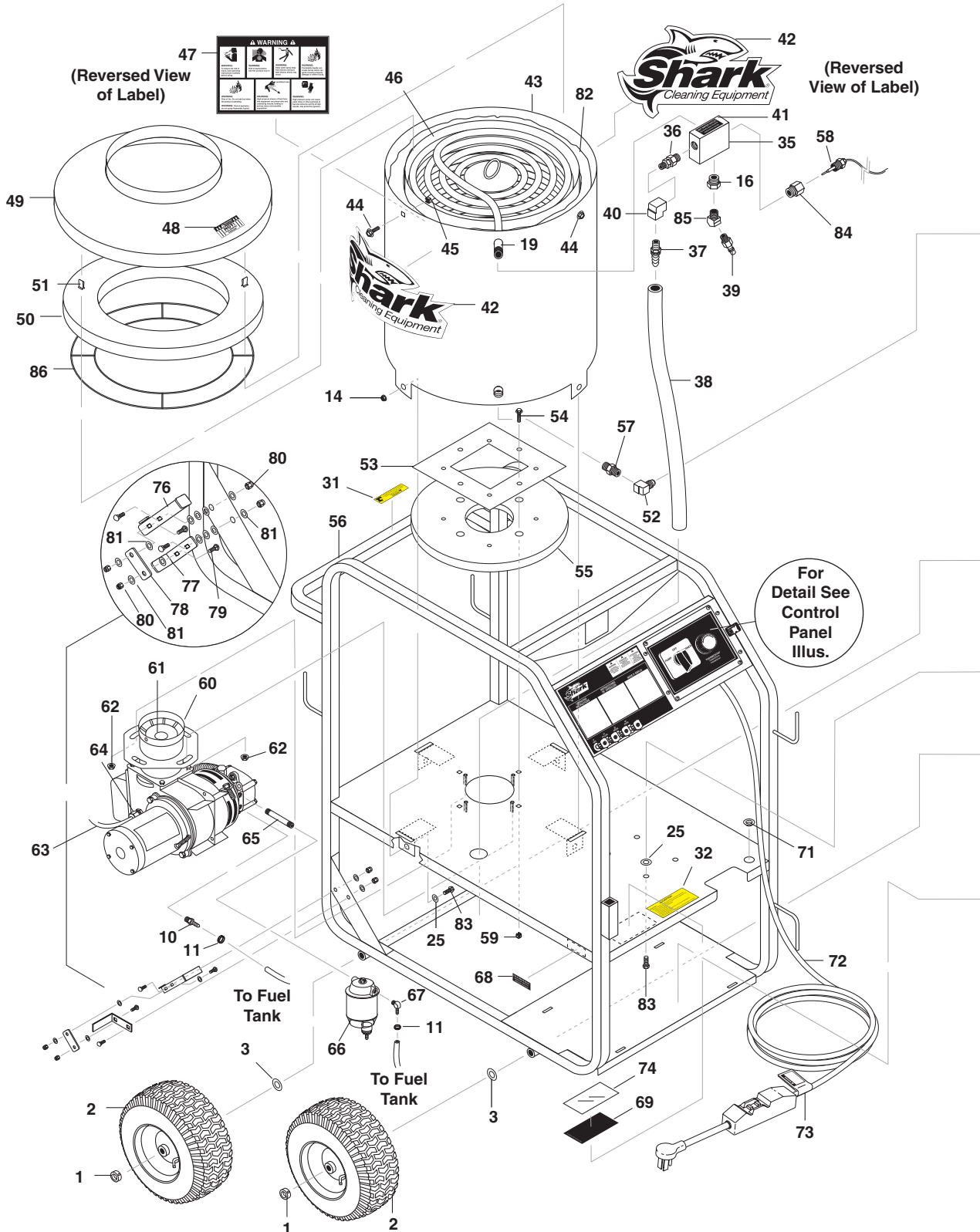
■ STP-2015

■ STP-2310

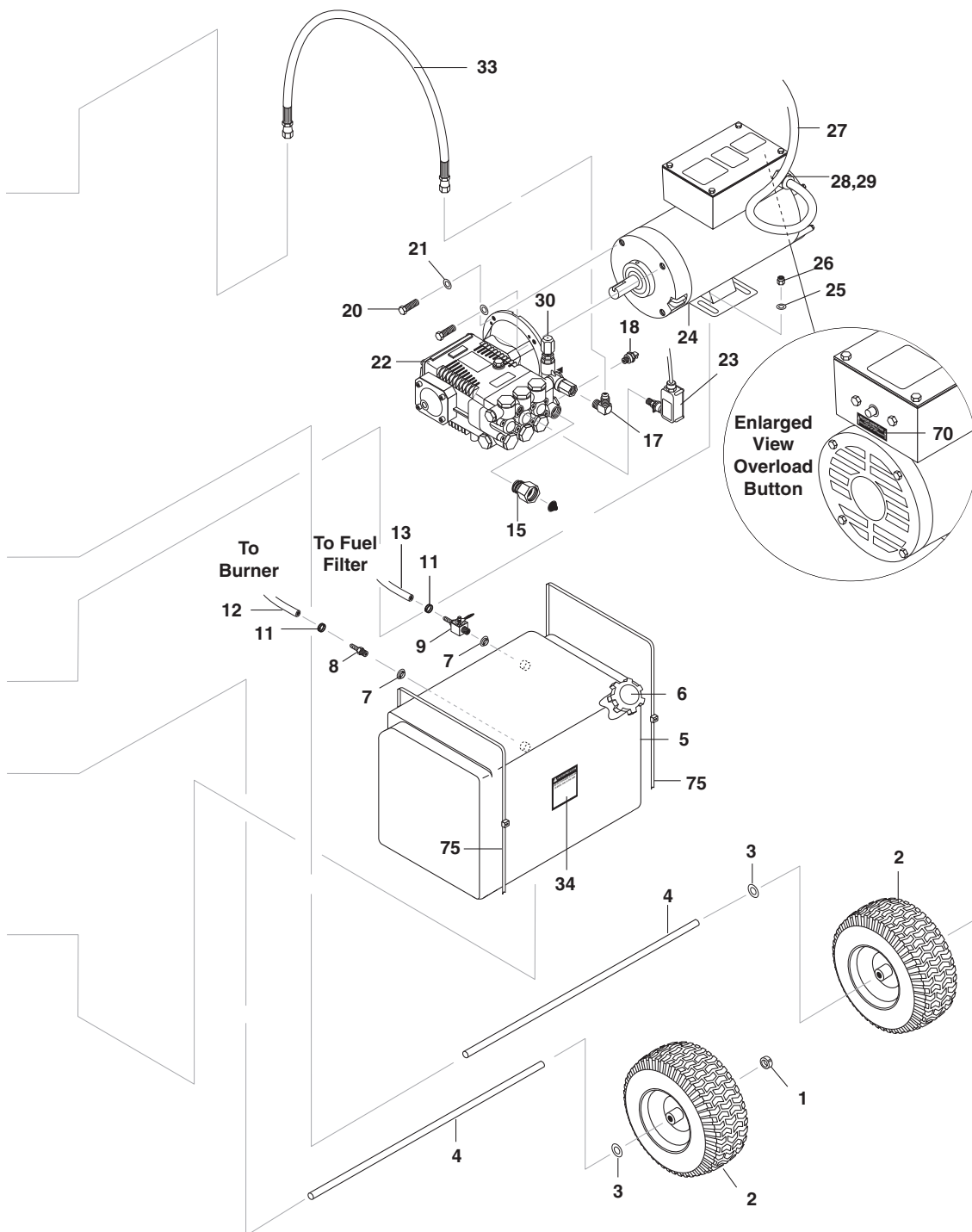
■ STP-3520



**STP SERIES  
EXPLODED VIEW LEFT SIDE**



## STP SERIES EXPLODED VIEW RIGHT SIDE



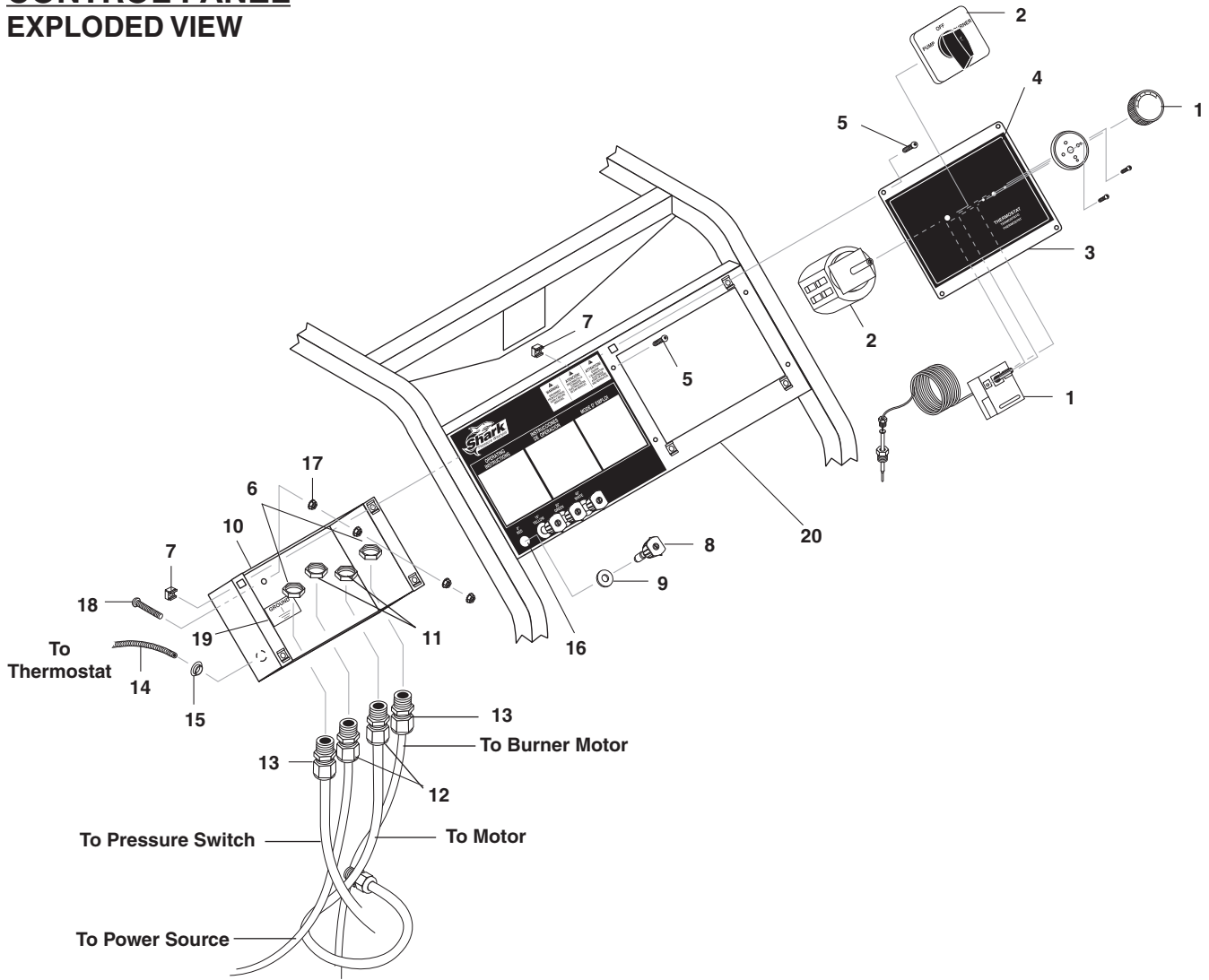
**STP SERIES  
EXPLODED VIEW PARTS LIST**

ITEM	PART NO.	DESCRIPTION	QTY	ITEM	PART NO.	DESCRIPTION	QTY
1	90-20041	Collar, 5/8" Bore Shaft	4	27	6-0104	Cord, Service, SOWA, 12/3 (201507D, 231007D)	2.75 ft.
2	4-0307	Wheel & Tire Assy, 6" Steel Rim w/Tube	4	6-0108	6-0108	Cord, Service, SEO, 10/3 (352007D)	3.66 ft.
3	90-4005	Washer, 5/8", Flat, SAE	4	28	6-05152	Strain Relief, Small (201507D, 231007D)	1
4	95-07104723	Axle, Rod 5/8" x 27.80" L	2	6-051595	6-051595	Strain Relief, STRT LQ TITE (352007A)	1
5	2-0115090	Tank, Fuel 6 Gallon Blank	1	29	6-05181A	Locknut, 1/2" (201507D, 231007D)	1
6	2-01167	Cap, Fuel Tank, Plastic H60-AV	1	6-05181B	6-05181B	Locknut, 3/4" 8465 (352007A)	1
7	2-010061	Bushing, Rubber, Nitrile	2	30	5-3329	Unloader, VBA 35 6.6 @ 3500	1
8	2-10866	Hose Barb, 1/4" Barb x 3/8" Barb, Double	1	31	9.800-018.0	Label, Tipover Hazard	1
9	2-30057	Valve, 1/4" Shut-Off	1	32	9.800-049.0	Label, Cleaning Solution	1
10	2-1085	Hose Barb, 1/4" Barb x 1/4" ML Pipe	1	33	4-02047725	Hose, 3/8" x 25", 2 Wire, Pressure Loop	1
11	2-9040	Clamp, Hose, UNI .46 - .54	4	34	10-020110	Label, Use Only Kerosene	1
12	4-02100000	Hose, 1/4" Push-On, Fuel Line	11"	35	95-07101226	Block, Discharge, 1/2" x 1/2", Brass	1
13	4-02100000	Hose, 1/4" Push-On, Fuel Line	7"	36	2-3409	Disk, Rupture Assy, 7000 PSI	1
14	90-20012	Nut, Whiz Loc, 5/16" Flange	4	37	2-1108	Hose Barb, 1/2" Barb x 3/8" MPT, Push-On	1
15	2-10942	Swivel, 1/2" MP x 3/4" GHF w/Strainer (Legacy)	1	38	4-02110000	Hose, 1/2" Push-On	2.5 ft.
16	2-00681	Bushing, 1/2" x 3/8" Steel	1	39	2-2007	Nipple, 3/8" x 3/8" NPT ST Male	1
17	2-0053	Elbow, 1/2 JIC 3/8, 90° P/N - TF 5405-8	1	40	2-1019	Elbow, 3/8" Female	1
18	2-300812	Pump Protector, 1/4" 145°	1	41	10-09004	Label, Hot Water Outlet	1
19	2-000891	Nipple, 1/2" x 2-1/2", Galvanized SCH 80	1	42	11-013	Label, Shark Logo Die Cut	2
20	90-1016	Bolt, 3/8" x 1", NC HH	4	43	95-07102253	Wrap, Outer Coil, Red	1
21	90-4002	Washer, 3/8" SAE, Flat	4	44	90-19710	Screw, 1/4" x 3/4" HH NC, Whiz Loc	4
22	5-1413	Pump, Shark SE 2020S (231007D, 201507D)	1	45	90-2022	Nut, Cage, 1/4" x 16 Gauge	4
	5-1405	Pump, Shark SE 3525F (352007A)	1	46	95-07102310	Coil, Assembly	1
23	6-021720	Switch, Pressure, N/O, 1/4" NPT SS	1	47	11-1043	Label, Warning, Text	1
24	5-1004M	Motor, 1.5 HP 115V 1725 RPM (231007D)	1	48	10-02025A	Label, Hot/Caliete w/Arrows Warning	1
	5-1073	Motor, 2HP 1PH 115V 1725 RPM (201507D)	1	49	95-07290029	Tank Head Assy, 16" DIA x 8" Stack	1
	5-1053	Motor, 5HP 1PH 230V 3450 RPM (352007A)	1	50	7-014862	Insulation, Tank Head, 16" OD x 8" ID	1
25	90-4001	Washer, 5/16" Flat, SAE	12	51	90-50045	Clip, Retaining U-Type	4
26	90-2001	Nut, 5/16" ESNA, NC	4	52	2-00601	Elbow, 1/2" JIC x 3/8" Fem, 90°	1
				53	95-07290053	Retainer, Burner Insulation	1
				54	90-19960	Screw, 3/8" x 1-1/4" Whiz Loc	4

## STP SERIES EXPLODED VIEW PARTS LIST (CONTINUED)

ITEM	PART NO.	DESCRIPTION	QTY	ITEM	PART NO.	DESCRIPTION	QTY
55	7-01482	Insulation, Tank Bottom, 1" Blanket	1	79	90-100472	Bolt, Carriage	4
56	95-07104955	Assembly, Frame, MS	1	80	90-2000	Nut, 1/4" ESNA	4
57	2-0006	Nipple, 3/8" x 3/8" Hex, Steel	1	81	90-4000	Washer, 1/4"	12
58	4-05088	Thermostat, Adjustable, 302°F	1	82	7-01487	Insulation, Blanket, 18" x 52", Fiberglass	1
59	90-2020	Nut, Cage, 3/8" x 12 Gauge	4	83	90-1006	Bolt, 5/16" x 3/4" NC	8
60	7-00028	Burner, Beckett, 230V AFG (352007A)	1	84	2-00742	Adapter, 1/2" x 1/2" Pipe	1
	7-00009	Burner, AFG, 120V, F4 Cone (201507D, 231007D)	1	85	2-00575	Elbow, 3/8" 45°	1
61	7-0101	Nozzle, Burner, 1.75 B 90° (352007A)	1	86	95-07104506	Retainer Ring, Insulation	1
	7-01244	Nozzle, Oil, HOL 1.00 A, 90° (201507D, 231007D)	1				
62	90-20040	Nut, 3/8" Flange, Whiz Loc, NC	4				
63	6-01011	Cord, Service, SEO, 16/4, Coleman	64"				
64	6-0516	Strain Relief, 1/2" Metal, Two Screw	1				
65	2-0013451	Nipple, 1/4" x 3", Black Pipe	1				
66	2-99050	Filter, Parker Fuel/Oil/H <sub>2</sub> O (10 Micron), Generic	1				
67	2-1089	Hose Barb, 1/4" Barb x 1/4" Pipe, 90°	1				
68	10-09003	Label, Cold Water Inlet	1				
69	10-08017	Label, Intended for Outdoor Use	1				
70	10-99078	Label, Motor Overload Reset, Lexan	1				
71	2-01403	Bushing, Snap	1				
72	6-01062	GFCI, 120V 15A, w/36' 12-3 Cord (231007D)	1				
	6-01060	GFCI, 120V 20A, w/36' 12-3 Cord (201507D)	1				
	6-01059	GFCI, 240V 1PH 30A, w/36' 10-3 Cord (352007A)	1				
73	10-08018	Label, Warning, Service Cord	1				
74	10-9999	Label, Clear Lexan, 2-1/4" x 4-1/2"	1				
75	6-05134	Cable, TY, 48"	2				
76	95-07104827	Lever, Brake	1				
77	95-07104828	Bracket, Brake Pad	1				
78	95-07104829	Linkage, Brake	1				

**CONTROL PANEL  
EXPLODED VIEW**

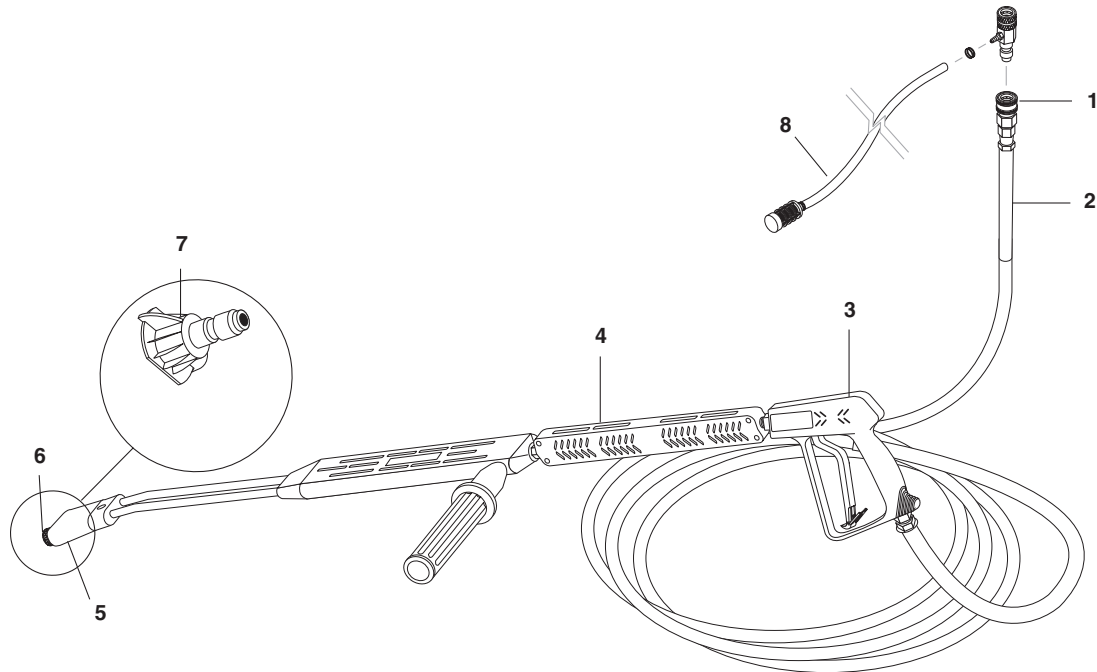


ITEM	PART NO.	DESCRIPTION	QTY
1	4-05088	Thermostat, Adjustable, 302°F	1
2	6-020201	Switch, 3 PS, 115V-230V, 1PH	1
3	95-07104957	Cover, Electric Box	1
4	11-0319	Label, Electric Box	1
5	90-1991	Screw, 10/32" x 1/2" BHSOC Blk	8
6	6-05181A	Locknut, 1/2"	2
7	90-2018	Nut, Cage, 10/32" x 16 Gauge	8
8	See Page 17	Nozzle	4
9	2-0103	Grommet, Rubber, Nozzle Holder	4
10	95-07104956	Box, Electric	1
11	6-05181A	Locknut, 1/2" (201507D, 231007D)	2
	6-05181	Locknut, 1/2" Conduit (352007A)	2

ITEM	PART NO.	DESCRIPTION	QTY
12	6-05152	Strain Relief, STRT, LQ TITE Small (201507D, 231007D)	2
	6-0522	Strain Relief, 12/4 Alum. (352007A)	2
13	6-05152	Strain Relief, STRT LQ TITE	2
14	6-01270	Conduit, Corr, Tubing, 1/4"	2 ft.
15	2-01403	Bushing, Snap, 5/8"	1
16	11-0317	Label, Control Panel	1
17	90-017	Nut, 10/32" Keps	4
18	90-1994	Screw, 10/32" x 1-1/4"	1
19	11-1042	Label, Ground	1
20	95-07104959	Panel, Control	1
	90-19711	▲ Screw, 1/4" x 1/2" HH, NC, Whiz Loc	4
	90-200012	▲ Nut, 1/4" Flange	4

▲ Not Shown

## HOSE AND SPRAY GUN ASSEMBLY

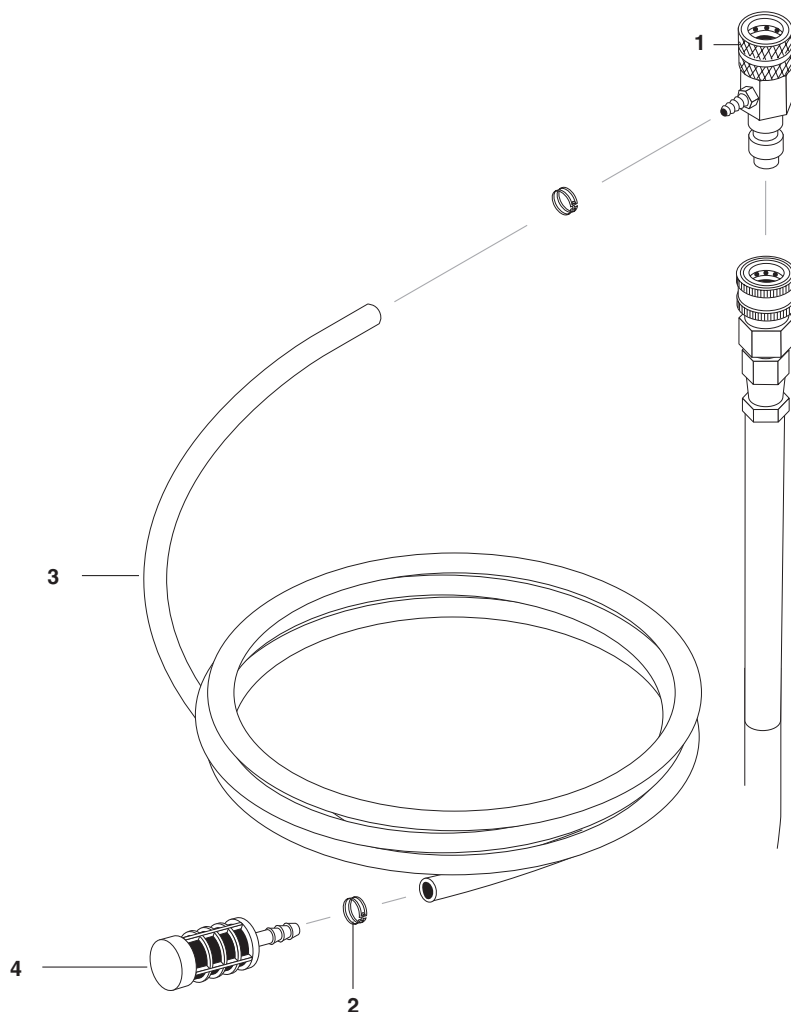


ITEM	PART NO.	DESCRIPTION	QTY
1	2-2002	Coupler, 3/8" Female	1
	2-0121	▲ Quick Coupler O-Ring LG	1
2	8.739-148.0	Hose, 3/8" x 50', 1 Wire, Blue, Tuff-Flex	1
3	4-01246	Spray Gun, Shutoff, AP 1000	1
4	4-0111341A	Wand, VP Zinc 1/4" w/Coupler, w/Soap Nozzle	1
	83-SSVPKIT	▲ AL Wand Repair Kit, Stainless Seat	1
5	4-06540	Brass Soap Nozzle Only, 1/8"	1
6	2-2001	Coupler, 1/4" Male	1
	2-0119	▲ Quick Coupler O-Ring Sm	1
7	4-12803000	Nozzle SAQMEG 0003, Red (201507D)	1
	4-12803015	Nozzle, SAQMEG 1503, Yellow (201507D)	1
	4-12803025	Nozzle SAQMEG 2503, Green (201507D)	1
	4-12803040	Nozzle, SAQMEG 4003, White (201507D)	1

ITEM	PART NO.	DESCRIPTION	QTY
7	4-12804000	Nozzle, SAQMEG 0004, Red (231007D)	1
	4-12804015	Nozzle, SAQMEG 1504, Yellow (231007D)	1
	4-12804025	Nozzle, SAQMEG 2504, Green (231007D)	1
	4-12804040	Nozzle, SAQMEG 4004, White (231007D)	1
	4-12805000	Nozzle, SAQMEG 0005, Red (352007A)	1
	4-12805015	Nozzle, SAQMEG 1505 Yellow (352007A)	1
	4-12805025	Nozzle, SAQMEG 2505, Green (352007A)	1
	4-12805040	Nozzle, SAQMEG 4005, White (352007A)	1
8	4-011184	Detergent Injector Assy, 3-5 GPM, 0.83 (352007A)	1
	4-011183	Detergent Injector Assy, 2-3 GPM, 0.70" (201507D, 231007D)	1

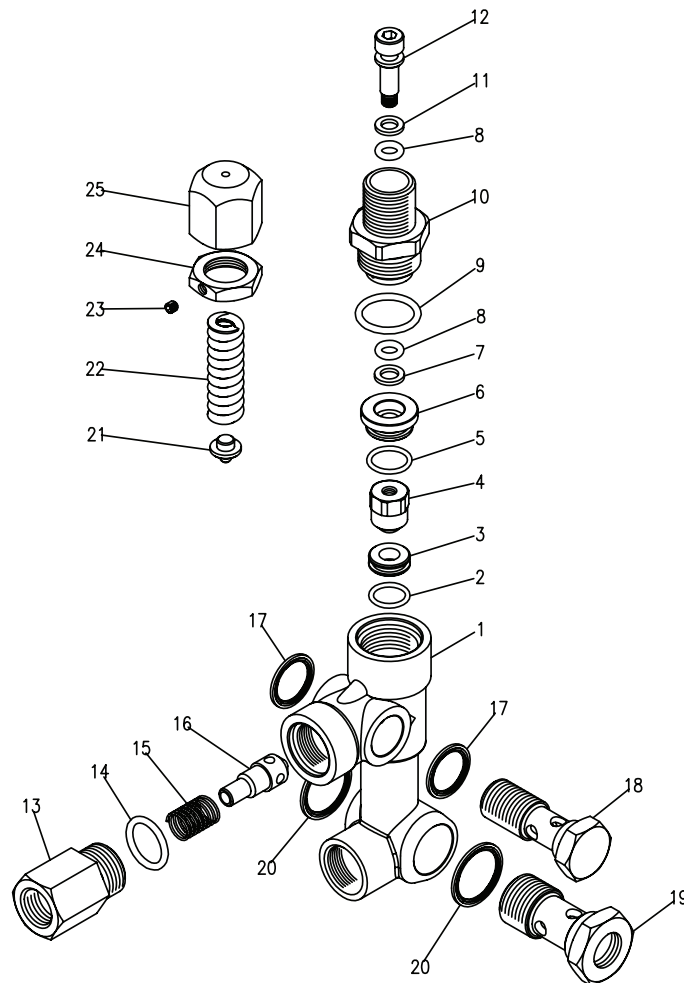
▲ Not Shown

**DOWNSTREAM INJECTOR ASSEMBLY**



ITEM	PART NO.	DESCRIPTION	QTY
1	3-12021	Injector, Detergent, Non-Adjust #3 (352007A)	1
	3-1202	Injector, Detergent, Non-Adjust #2 (201507D, 231007D)	1
2	2-9040	Clamp, Hose, UNI .46 - .54	2
3	4-02080000	Tube, 1/4" x 1/2", Clear Vinyl	6 ft.
4	2-1904	Strainer, 1/4" Hose Barb	1

## UNLOADER EXPLODED VIEW AND PARTS LIST #5-3329 VBA35



ITEM	PART #	DESCRIPTION	KIT	QTY
1	70-020444	Body Valve		1
	70-020452	Body Valve		1
2	70-060141	O-Ring	A, C	1
3	70-150316	Seat	C	1
4	70-450401	Ball, Sub-assy	C	1
5	70-060114	O-Ring	A	1
6	70-010111	Guide Bushing		1
7	70-000919	Teflon Ring	A	1
8	70-060170	O-Ring	A	2
9	70-060162	O-Ring	A	1
10	70-140734	Connector		1
11	70-000918	Teflon Ring	A	1
12	70-120611	Stem	C	1
13	70-140702	Connector, Female		1
14	70-060119	O-Ring	A, B	1
15	70-090004	Spring	B	1

ITEM	PART #	DESCRIPTION	KIT	QTY
16	70-110207	Poppet	B	1
17	70-140802	Seal Washer 3/8		2
18	70-180004	Hollow Bolt, 3/8		1
19	70-180008	Hollow Bolt 1/2		1
20	70-140803	Seal Washer 1/2		2
21	70-120212	Plate	C	1
22	70-090037	Spring	C	1
23	70-180304	Set Screw		1
24	70-030209	Nut		1
25	70-090520	Brass Handle		1

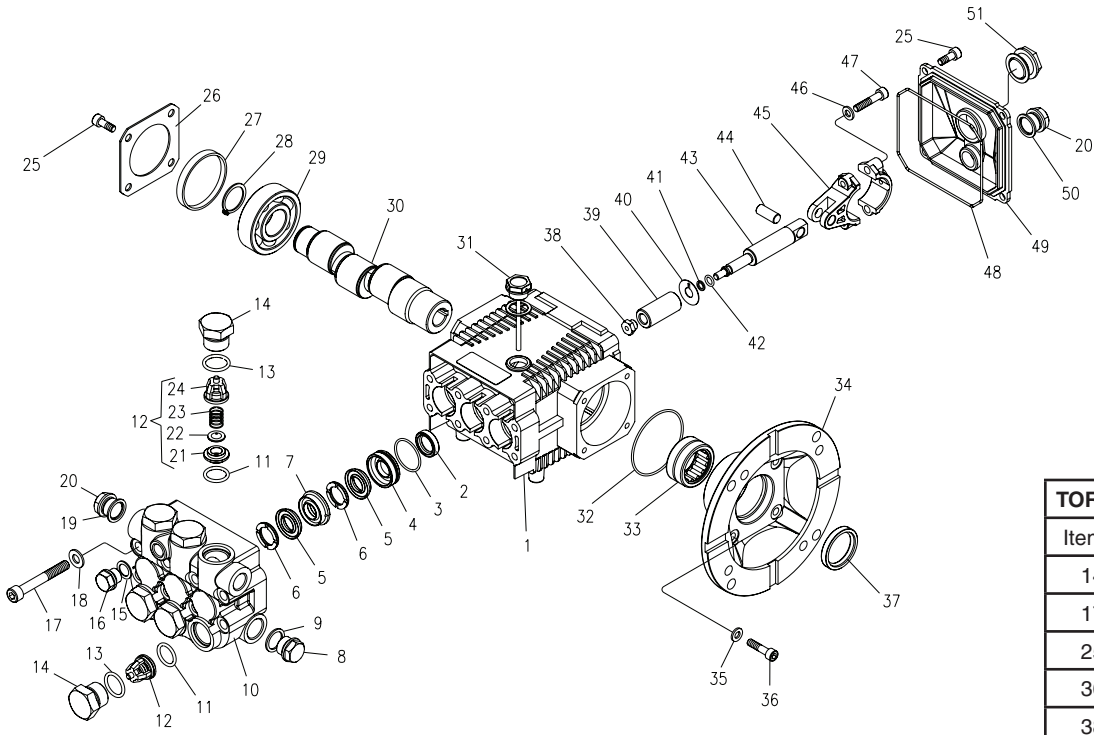
**Kit A** 70-262813 O-Ring Repair Kit

**Kit B** 70-262814 Outlet Kit

**Kit C** 70-262815 Stem Repair Kit

**GE SERIES PUMP EXPLODED VIEW AND PARTS LIST**

5-1901 GE 2020F, 5-1902 GE 2020S, 5-1903 GE 2825F  
 5-1904 GE 2825S, 5-1905 GE 3525F



TORQUE SPECS	
Item #	Ft. -lbs.
14	65
17	18
25	7.6
36	8
38	7
47	13

ITEM	PART NO.	DESCRIPTION	QTY
1	70-020292	Crankcase	1
2*	70-000105	Plunger Oil Seal	3
3*	70-060181	O-Ring Ø 1.78 x 28.30	3
4*	70-120131	Pressure Ring 15mm	3
	70-120132	Pressure Ring 18mm	3
5*	70-000207	"V" Seal, dia 15mm	6
	70-000208	"V" Seal, dia 18mm	6
6*	70-030048	Support Ring 15mm	6
	70-030050	Support Ring 18mm	6
7*	70-030049	Intermed Ring 15mm	3
	70-030051	intermed Ring 18mm	3
8*	70-160120	Brass Plug G1/2	1
9	70-060307	Copper Washer 1/2"	1
10	70-160228	Manifold Housing	1
11	70-060155	O-Ring Ø1.78 x 15.54	6
12*	See Kit Below	Valve Assembly	6
13*	70-060122	O-Ring Ø2.62 x 18.77	6
14	70-160147	Valve Plug	6
15	70-060308	Copper Washer 1/4	1

ITEM	PART NO.	DESCRIPTION	QTY
16	70-160121	Brass Plug G1/4	1
17	70-180118	Manifold Stud Bolt	8
18	70-140001	Washer	8
19	70-060306	Copper Washer 3/8	1
20	70-160117	Brass Plug G3/8	2
25	70-180112	Screw	12
26	70-020318	Bearing Cover	2
27	70-020502	Bearing Seal	1
28	70-150003	Snap Ring	1
29	70-021300	Ball Bearing	2
30	70-000600	Crankshaft (2020F)	1
	70-000601	Crankshaft (2020S)	1
	70-000602	Crankshaft (2825F)	1
	70-000603	Crankshaft (2825S)	1
	70-000604	Crankshaft (3525F)	1
31	70-160012	Oil Dipstick	1
32	70-060183	O-Ring Ø3.53 x 55.56	1
33	70-020011	Needle Bearing	1
34	70-050095	Motor Flange 56C	1

## GE SERIES PUMP EXPLODED VIEW AND PARTS LIST (CONT)

5-1901 GE 2020F, 5-1902 GE 2020S, 5-1903 GE 2825F

5-1904 GE 2825S, 5-1905 GE 3525F

ITEM	PART NO.	DESCRIPTION	QTY
35	70-140002	Washer	4
36	70-180126	Flange Screw	4
37	70-000104	Crankshaft Seal	1
38*	70-030211	Plunger Nut	3
39*	70-120023	Plunger 15mm (2020F, 2825F, 3525F)	3
	70-120022	Plunger 18mm (2020S, 2825S)	3
40*	70-140027	Copper Spacer	3
41*	70-160130	O-Ring Ø1.78 x 5.28	3
42*	70-000913	Teflon Ring	3
43	70-000320	Plunger Rod	3
44	70-1502.04	Connecting Rod Pin	3
45	70-010008	Connecting Rod	3
46	70-140102	Spring Washer	6
47	70-180132	Connecting Rod Screw	6
48	70-060104	O-Ring Ø2.62 x 107.62	1
49	70-020352	Crankcase Cover	1
50	70-060302	Gasket	1
51	70-070005	Sight Glass	1

REPAIR KIT NUMBER	70-261408	70-261410	70-261409	70-261411	70-261404	70-261405	70-260028	70-260826
KIT DESCRIPTION	Plunger Seal 15mm GE 2020F GE 2825F GE 3525F	Plunger Seal 18mm GE 2020S GE 2825S	Complete Seal Packing 15mm GE 2020F GE 2825F GE 3525F	Complete Seal Packing 18 mm GE 2020S GE 2825S	Plunger 15mm GE 2020F GE 2825F GE 3525F	Plunger 18mm GE 2020S GE 2825S	Complete Valve	Plunger Oil Seals
ITEM NUMBERS INCLUDED	3, 5, 6	3, 5, 6	2, 3, 4, 5, 6, 7	3, 4, 5, 6, 7, 8	38, 39, 40, 41, 42	38, 39, 40, 41, 42	11, 12, 13	2
NUMBER OF CYLINDERS KIT WILL SERVICE	3	3	1	1	1	1	6	3