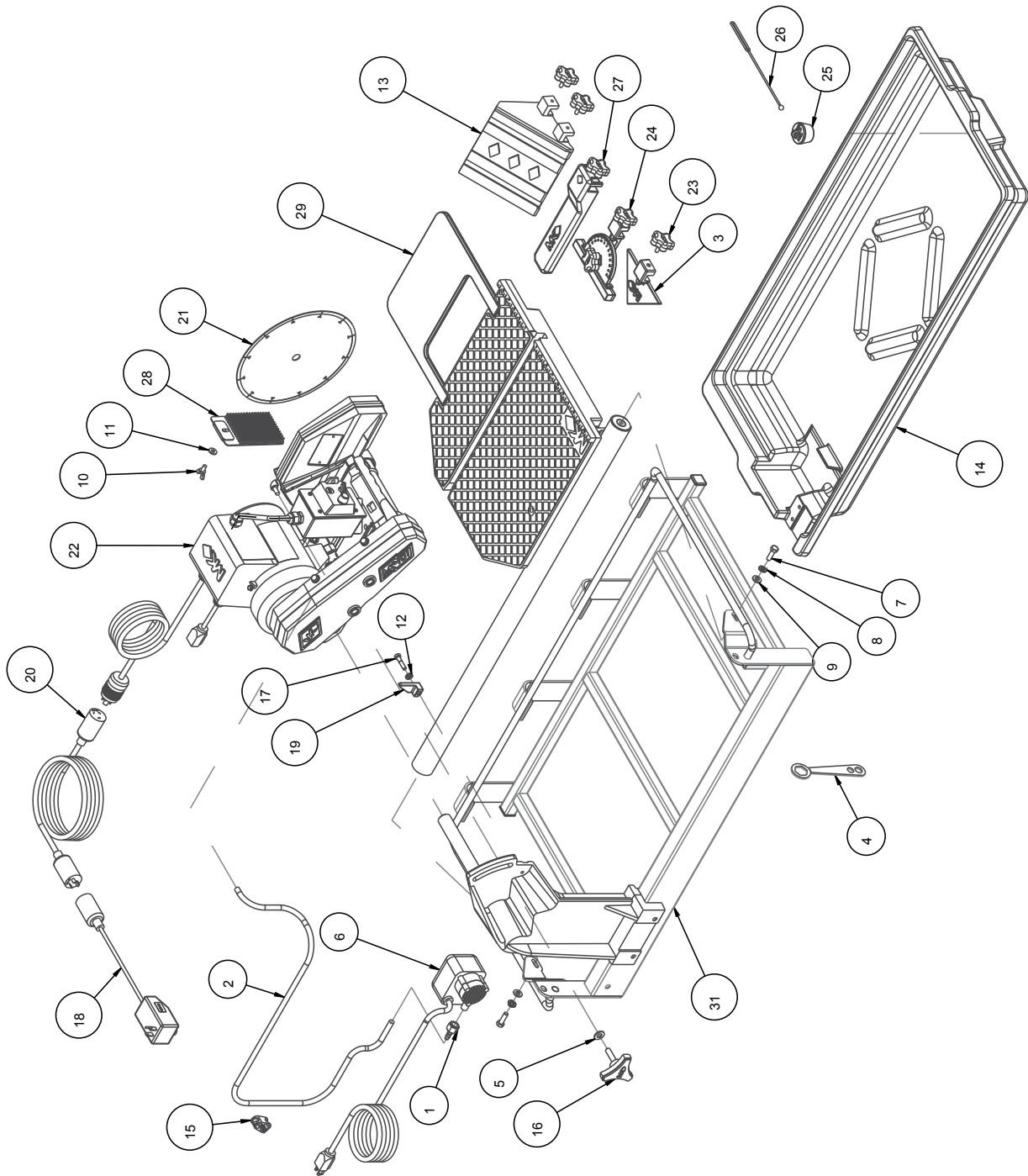


**HD-101R Pro24 TILE SAW**  
**OWNER'S MANUAL,**  
**OPERATING INSTRUCTIONS**  
**& PARTS LIST**



HD-101R Pro24  
Part #153243-HD

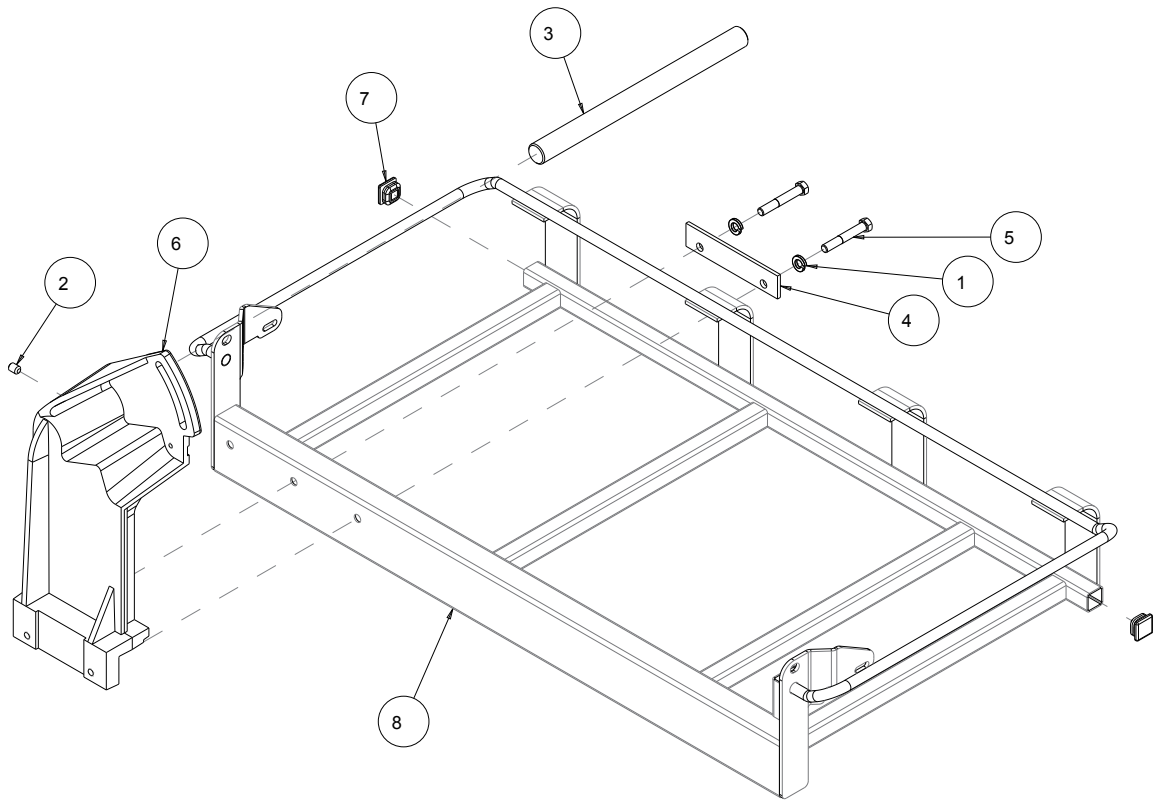
HD-101R PRO24 SAW ASSEMBLY P/N 153243-HD



## HD-101R PRO24 SAW ASSEMBLY P/N 153243-HD

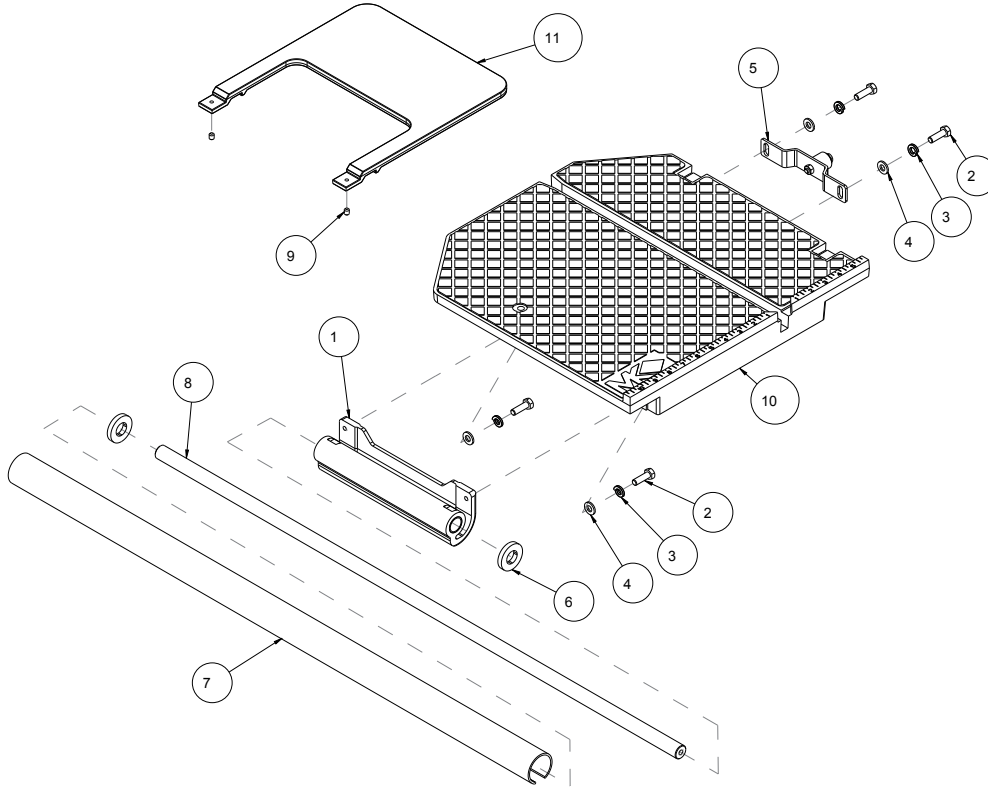
ITEM	DESCRIPTION	PART #	QTY
1	FITTING, PLASTIC, 1/4 FNPT X 1/4 BARB	128397	1
2	HOSE, VINYL 1/4 X 3/8 (6.0')	132951	1
3	CASTING, ACC DUAL FLAT - COMP	134577	1
4	WRENCH, TILE SAW NUT 15/16	134684	1
5	WASHER, FLAT, SAE, 3/8	150923	1
6	PUMP, WATER 115V/60HZ UL/CSA	151271	1
7	SCREW, HEX HD, 5/16 - 18 X 1	151743	2
8	WASHER, LOCK, SPLIT, 5/16	151747	2
9	WASHER, FLAT, SAE, 5/16	151754	2
10	SCREW, WING, 1/4 - 20 X 1/2	151888	1
11	WASHER, FLAT, SAE, 1/4	151915	1
12	WASHER, LOCK, SPLIT, 1/4	152591	1
13	CASTING, ACC BULLNOSE LRG - COMP	153201	1
14	PAN, WATER	153262	1
15	CLAMP, HOSE, 1/4 - 1/2 FLOW	154394	1
16	KNOB, TRI PLASTIC MK-660 1 -1/2	156770-02	1
17	SCREW HEX HD 1/4 - 20 X 1 - 1/4	157145	1
18	CORD, GFCI 120V 15A W/TWSTLOCK	157421	1
19	STOP, CUTTING HEAD	157728	1
20	CORD, EXTENSION L5-15 X 25'	158111	1
21	MK-225 10X050X5/8 HOT DOG BLD	158436	1
22	ASSY, DC CUTTING HEAD, 101, HD	158478-HD	1
23	KNOB, RUBBER, 1/4 - 20 X 3/4" LONG	159428-1	3
24	PROTRACTOR, 90 DEG	159429	1
25	DRAIN PLUG, W/RING	159529	1
26	STRAP, 9" DRAIN PLUG	159530	1
27	RIP GUIDE, LARGE DIE CAST	159751	1
28	GUARD, SPLASH	160310	1
29	ASSY, TABLE, PRO-24	160378	1
30	SHEET, WARNING LABELS, TILE SAW	166012	1
31	ASSY, FRAME AND POST, 101 PRO24	170477-OR	1

ASSEMBLY FRAME P/N 170477-OR



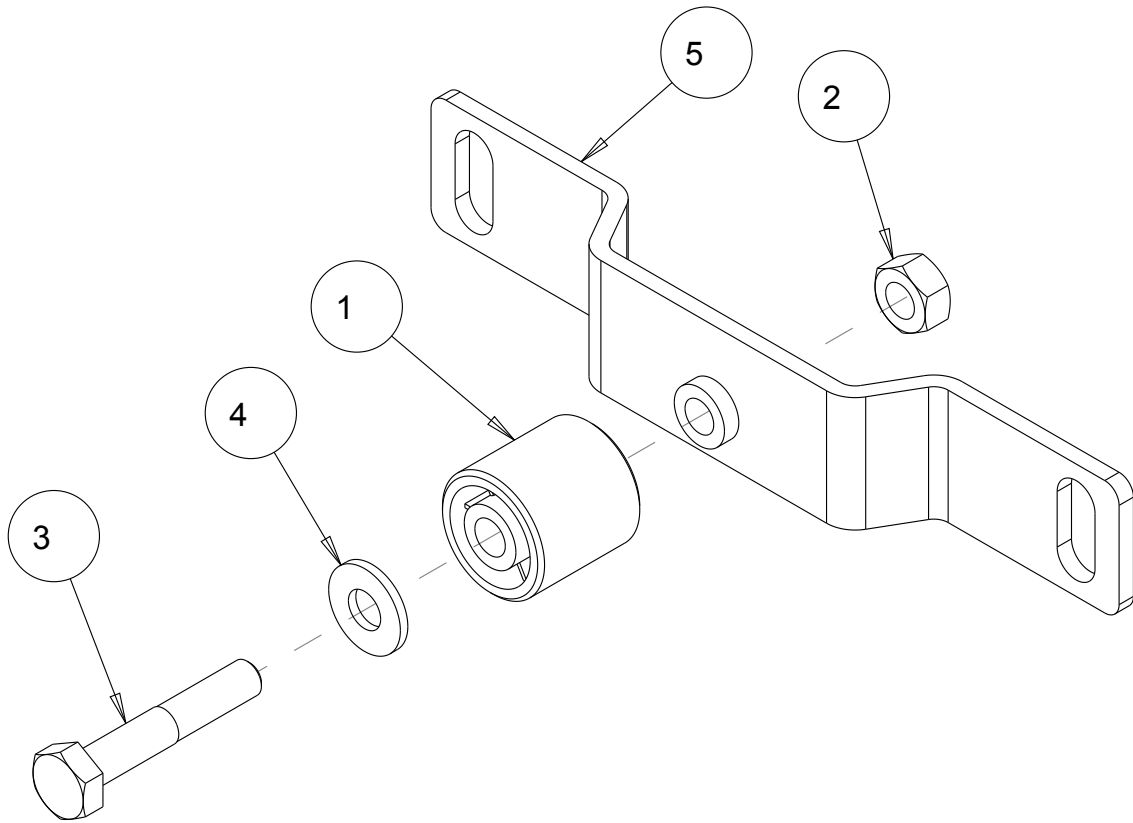
ITEM	DESCRIPTION	PART #	QTY
1	WASHER, LOCK, SPLIT, 3.8	150925	2
2	SCREW, SET, SOC, CUPT, 3.8 - 16 X 1/2	153710	1
3	SHAFT, 12.88 PIVOT	155530	1
4	PLATE, PRESSURE	155671	1
5	SCREW, 3/8 - 16 X 2 - 1/2 HEX HEAD CAP	156030	2
6	CASTING, POST, PRO24 OFFSET-COMP	158405-OR	1
7	PLUG, PLASTIC, 1 SQ - 14 -20 GA	160727-1	2
8	FRAME, 10" TILE SAW, 24" RIP	168021-24	1

ASSEMBLY TABLE P/N 160378



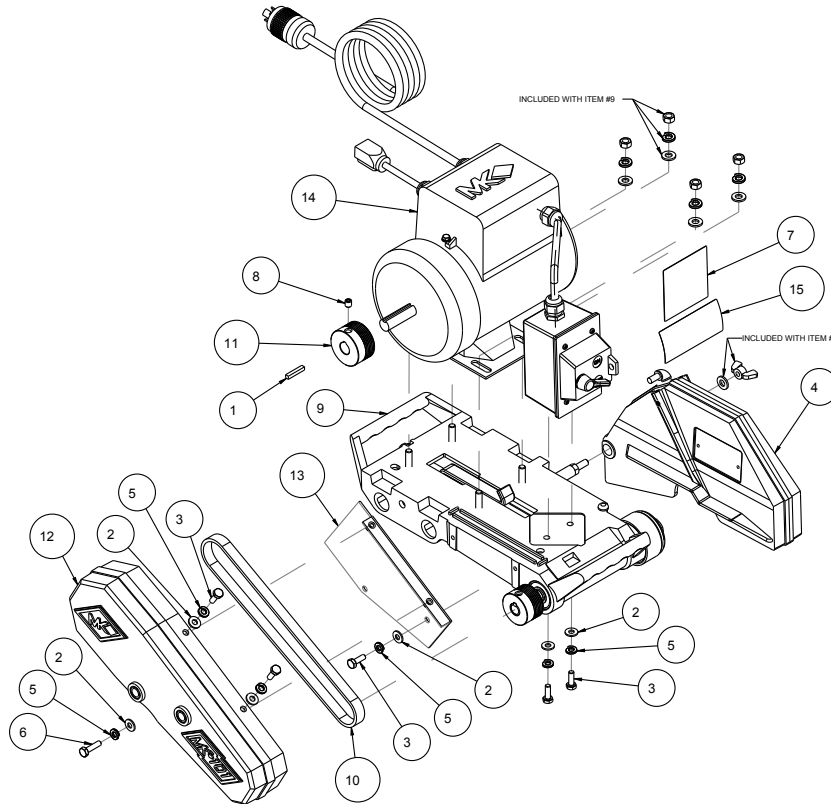
ITEM	DESCRIPTION	PART #	QTY
1	CASTING, 101/990 LNR BRG MT - COM	135855	1
2	SCREW, HEX HD, 5/16 - 18 X 1	151743	4
3	WASHER, LOCK, SPLIT, 5/16	151747	4
4	WASHER, FLAT, SAE, 5/16	151754	4
5	ASSY, WHEEL BRKT TSAW	151756	1
6	SPACER, GUIDE BAR COVER, COMMON	152393	2
7	COVER, 3/4 X 37 GUIDE BAR	153219	1
8	BAR, 3/4 X 37 LINEAR GUIDE, 101	153492	1
9	SCREW, 1/4 - 20 X 5/16 SOCKET HEAD SET	154226	2
10	CAST, TABLE, PRO24, OVRMLD - COMP	161182	1
11	TABLE, EXTENSION (COMP)	162075	1

**ASSEMBLY WHEEL P/N 151756**



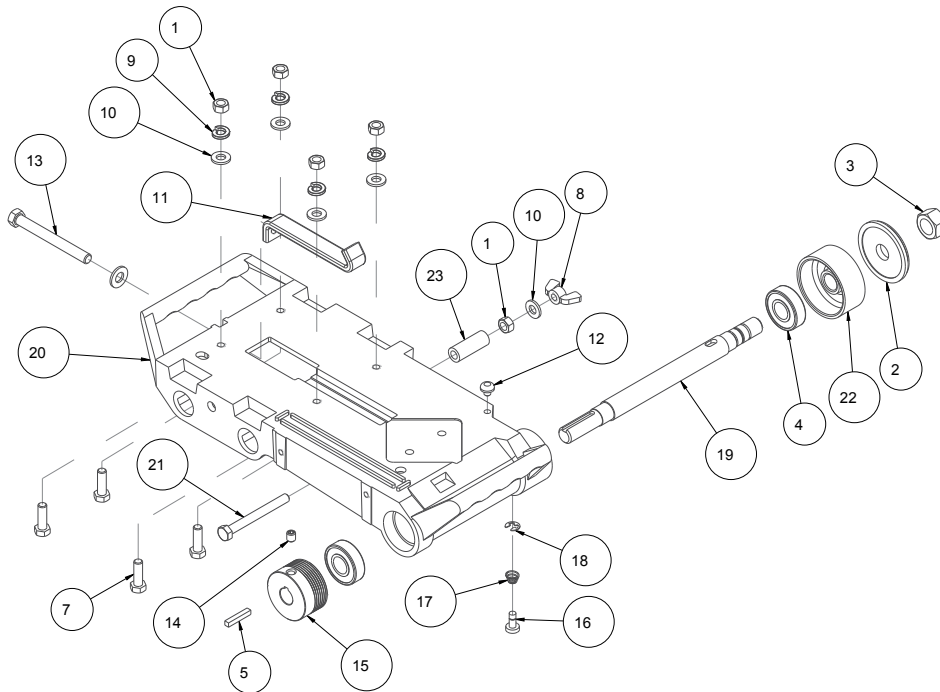
ITEM	DESCRIPTION	PART #	QTY
1	WHEEL, ROLLER TSAW	151799	1
2	NUT, HEX, 1/4 - 20	151893	1
3	SCREW, HEX HEAD 1/4 - 20 X 1 - 1/2	151914	1
4	WASHER, FLAT, SAE, 1/4	151915	1
5	BRACKET, ROLLER WHEEL	154021	1

ASSEMBLY CUTTING HEAD P/N 158478-HD



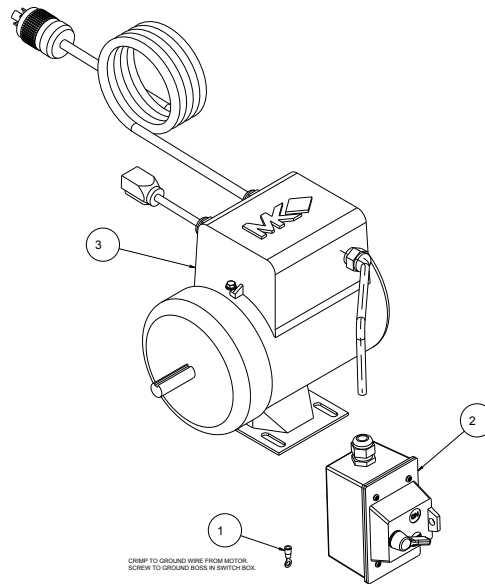
ITEM	DESCRIPTION	PART #	QTY
1	KEY, 3/16 SQ X 1 - 1/8	150344	1
2	WASHER, FLAT, SAE, 1/4	151915	6
3	SCREW, HEX HD, 1/4 - 20 X 3/4	152370	5
4	ASSY, BLADE GUARD, 101	152582-OR	1
5	WASHER, LOCK, SPLIT, 1/4	152591	6
6	SCREW, HEX HD TAP, 1/4 - 20 X 1	152676	1
7	LABEL, RENTAL SAW (HOME DEPOT)	155231	1
8	SCREW, 5/16 - 18 X 3/8 SOCKET HEAD SET	157083	1
9	ASSY, SUB, CTTG HEAD MK-101 ORNG	158191-OR	1
10	BELT, 6J260	158194	1
11	PULLEY, 6J19 X 5.8 BORE	158199	1
12	CASTING, 101 BELT GUARD - ORNG COMP	158319-OR	1
13	BRACKET, INNER BELTGUARD	158611	1
14	ASSY, MTR 1.5HP, 120V, 60 HZ	159709-TL	1
15	LABEL, HOME DEPOT TOOL RENTAL	160602	1

ASSEMBLY SUB CUTTING HEAD 101 P/N 158191-OR



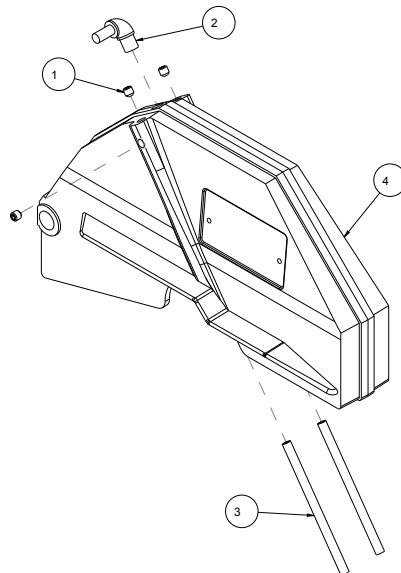
ITEM #	DESCRIPTION	PART #	QTY.
1	NUT, HEX, 5/16 - 18	101196	5
2	FLANGE, OUTER, 2 - 3/8	135830	1
3	NUT, HEX, 5/8-18	135848	1
4	BEARING, BALL, 17X40X12MM	137711	2
5	KEY, 3/16 SQ X 1-1/8	150344	1
6	WASHER, FLAT, SAE, 3/8	150923	1
7	SCREW, HEX HD, 5/16-18X1	151743	4
8	NUT, WING, NYLK, 5/16-18	151746	1
9	WASHER, LOCK, SPLIT, 5/16	151747	4
10	WASHER, FLAT, SAE, 5/16	151754	5
11	STRAP, 1 INCH, MOTOR ADJ.	152673	1
12	BUMPER, RUBBER, 1/2 DIA	152674	1
13	BOLT, 3/8-16 X 3-1/2 HEX HEAD TAP	153147	1
14	SCREW, 5/16-18 X 3/8 SOCKET HEAD SET	157083	1
15	PULLEY, 6J19 X 5/8 BORE	158199	1
16	BUTTON, SHAFT LOCK	158200	1
17	SPRING, BLADE SHAFT LOCK	158201	1
18	RING, 1/4 E-STYLE RETAINING	158202	1
19	SHAFT, BLADE	158222	1
20	CASTING, 10" CTTG HEAD ORNG - COMP	158224-OR	1
21	SCREW, HEX HD, TAP, 5/16-18X3	162473	1
22	FLANGE, Ø 2-3/8 INNER	162758	1
23	SPACER, 9/16X5/16X1.5, PLAS	170824	1

MOTOR P/N 159709-TL



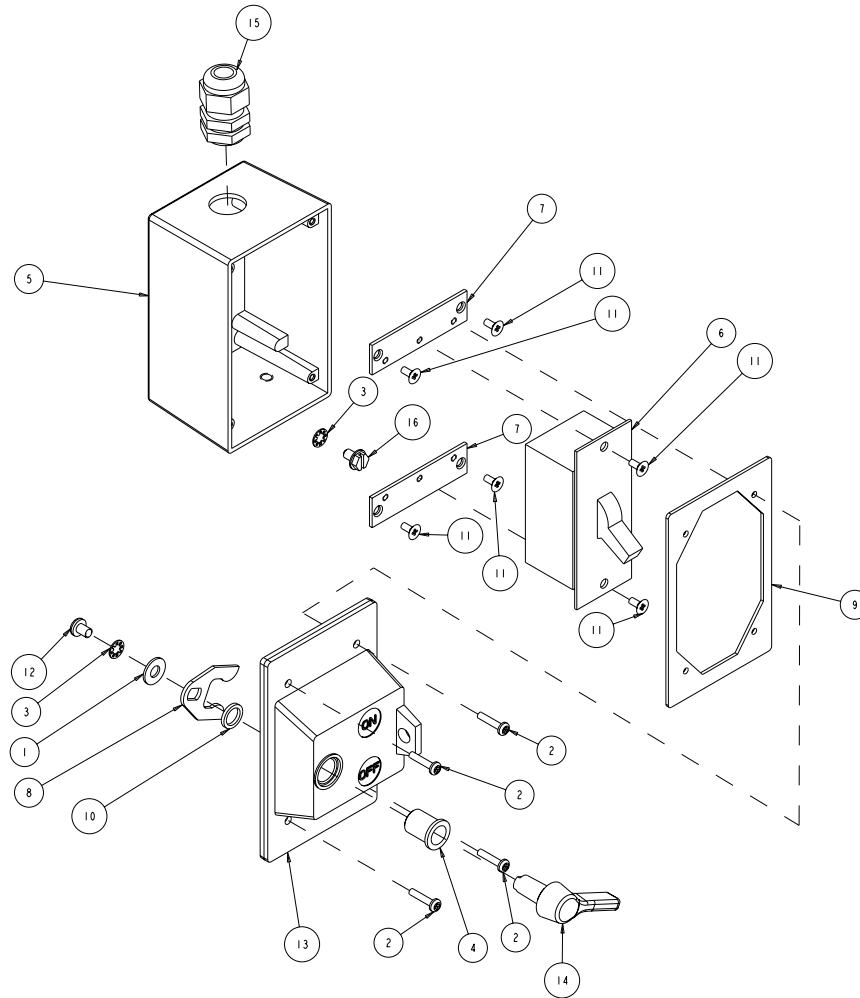
ITEM	DESCRIPTION	Part #	Qty
1	TERMINAL, 16 - 14 AWG X #10 RING	154540	1
2	ASSY, SWITCH BOX, 30AMP, LTF11	161101	1
3	MTR, 1.5HP 115V TWIST LK, GRN	169223-TLG	1

BLADE GUARD P/N 152582-OR



ITEM	DESCRIPTION	Part #	Qty
1	SCREW, 5/16 - 18 X 1/2 SOCKET HEAD SET	152607	3
2	ELBOW, 1/8 MNPT X 1/4 BARB 90DEG	154652	1
3	TUBE, WATER	155389	2
4	CASTING, 101 BLD GUARD-DC-COMP	162481-OR	1

SWITCH BOX P/N 161101



ITEM	DESCRIPTION	Part #	Qty
1	WASHER, #10 SAE FLAT	154369	1
2	SCREW, PAN HD PHIL 6 - 32 X 5/8	157393	4
3	WASHER #10, INTERNAL TEETH	158336	2
4	BUSHING, SWITCH, 30 AMP	158799	1
5	BOX, 30A SWITCH (COMP)	159487	1
6	SWITCH, 30 AMP MOTOR CONTROLLER	159488	1
7	PLATE, MOUNTING, SWITCH	159489	2
8	LEVER, ON/OFF, 30 AMP SWITCH	159490	1
9	GASKET, COVER, 30 AMP SWITCH	159491	1
10	SEAL, LEVER, 30 AMP SWITCH	159492	1
11	SCREW, FLAT HD PHIL 6 - 32 X 5/16	159493	6
12	SCREW, PAN HD PHIL 10 -24 X 5/16	159494	1
13	COVER, 30A SWITCH (COMP)	159539	1
14	LEVER, ACTUATOR (COMP)	159540	1
15	STRAIN RELIEF, HEYCO 3213	159582	1
16	SCREW, HEX HD FL 10 - 24X 5/16	159597	1

ITEM	NUMBER	DESCRIPTION	
1.	137166	MK-200, 10 x 5/8 Arbor Premium grade Diamond Blade for smooth, chip-free cutting on tile.	
2.	128074	MK-215, 10 x 5/8 Arbor Supreme grade diamond blade for hard materials	
3.	153252	MK-315, 10 x 5/8 Arbor Supreme super hi-rim diamond blade	
4.	134577-MK	Dual 45° Flat Angle Guide	
5.	153201-MK	45° Bullnose Miter	
6.	134569-MK	90° Protractor	
7.	152792	Dressing Stone	
8.	152610	Ground Fault Circuit Interrupter	
9.	169658	Saw Tent	