

**OPERATION AND PARTS MANUAL**



**MODEL DSGPULW**  
**DuoScreed LightWeight**  
**(HONDA GX35SAT GASOLINE ENGINE)**

Revision #7 (09/19/18)

**THIS MANUAL MUST ACCOMPANY THE EQUIPMENT AT ALL TIMES.**

# DSGPULW DUOSCREED —TABLE OF CONTENTS

## **Multiquip DS-Series — Vibratory DuoScreed**

|  |       |
|--|-------|
| Here's How To Get Help .....                 | 3     |
| Table Of Contents .....                      | 4     |
| Parts Ordering Procedures .....              | 5     |
| Rules For Safe Operation .....               | 8-9   |
| Operation and Safety Decals .....            | 10    |
| Specifications .....                         | 11    |
| General Information .....                    | 12    |
| Components (DuoScreed) .....                 | 13    |
| Components (Honda GX35SAT Engine) .....      | 14    |
| Assembly Instructions .....                  | 15-17 |
| Starting .....                               | 18    |
| Application/Operation .....                  | 19-22 |
| Maintenance .....                            | 23-24 |
| Troubleshooting (DuoScreed) .....            | 25    |
| Troubleshooting (Honds GX35SAT Engine) ..... | 26    |
| Explanation Of Codes In Remarks Column ..... | 28    |
| Suggested Spare Parts .....                  | 29    |
| Nameplate and Decals .....                   | 30-31 |
| Main Assembly .....                          | 32-35 |
| Blade Assembly .....                         | 36-37 |

## **Honda GX35SAT Engine**

|  |       |
|--|-------|
| Air Cleaner Assembly .....                 | 38-39 |
| Cam Pulley Assembly .....                  | 40-41 |
| Carburetor Assembly .....                  | 42-43 |
| Crankcase Assembly .....                   | 44-45 |
| Crankshaft and Piston Assembly .....       | 46-47 |
| Fan Cover and Clutch/Assembly .....        | 48-49 |
| Recoil Starter Assembly .....              | 50-51 |
| Flywheel and Ignition Coil Assembly .....  | 52-53 |
| Fuel Tank .....                            | 54-55 |
| Muffler Assembly .....                     | 56-57 |
| Engine Top Cover Assembly .....            | 58-59 |
| Labels .....                               | 60-61 |
| Terms and Conditions Of Sale — Parts ..... | 62    |

# DUOSCREED — EXPLANATION OF CODE IN REMARKS COLUMN

The following section explains the different symbols and remarks used in the Parts section of this manual. Use the help numbers found on the back page of the manual if there are any questions.

## NOTICE

The contents and part numbers listed in the parts section are subject to change **without notice**. Multiquip does not guarantee the availability of the parts listed.

## SAMPLE PARTS LIST

| NO. | PART NO. | PART NAME           | QTY. | REMARKS             |
|-----|----------|---------------------|------|---------------------|
| 1   | 12345    | BOLT.....           | 1    | INCLUDES ITEMS W/%  |
| 2%  |          | WASHER, 1/4 IN..... |      | NOT SOLD SEPARATELY |
| 2%  | 12347    | WASHER, 3/8 IN....  | 1    | MQ-45T ONLY         |
| 3   | 12348    | HOSE .....          |      | A/R ...MAKE LOCALLY |
| 4   | 12349    | BEARING .....       | 1    | S/N 2345B AND ABOVE |

## NO. Column

**Unique Symbols** — All items with same unique symbol

(@, #, +, %, or >) in the number column belong to the same assembly or kit, which is indicated by a note in the “Remarks” column.

**Duplicate Item Numbers** — Duplicate numbers indicate multiple part numbers, which are in effect for the same general item, such as different size saw blade guards in use or a part that has been updated on newer versions of the same machine.

## NOTICE

When ordering a part that has more than one item number listed, check the remarks column for help in determining the proper part to order.

## PART NO. Column

**Numbers Used** — Part numbers can be indicated by a number, a blank entry, or TBD.

TBD (To Be Determined) is generally used to show a part that has not been assigned a formal part number at the time of publication.

A blank entry generally indicates that the item is not sold separately or is not sold by Multiquip. Other entries will be clarified in the “Remarks” Column.

## QTY. Column

**Numbers Used** — Item quantity can be indicated by a number, a blank entry, or A/R.

A/R (As Required) is generally used for hoses or other parts that are sold in bulk and cut to length.

A blank entry generally indicates that the item is not sold separately. Other entries will be clarified in the “Remarks” Column.

## REMARKS Column

Some of the most common notes found in the “Remarks” Column are listed below. Other additional notes needed to describe the item can also be shown.

**Assembly/Kit** — All items on the parts list with the same unique symbol will be included when this item is purchased.

Indicated by:

“INCLUDES ITEMS W/(unique symbol)”

**Serial Number Break** — Used to list an effective serial number range where a particular part is used.

Indicated by:

“S/N XXXXX AND BELOW”

“S/N XXXX AND ABOVE”

“S/N XXXX TO S/N XXX”

**Specific Model Number Use** — Indicates that the part is used only with the specific model number or model number variant listed. It can also be used to show a part is NOT used on a specific model or model number variant.

Indicated by:

“XXXXX ONLY”

“NOT USED ON XXXX”

**“Make/Obtain Locally”** — Indicates that the part can be purchased at any hardware shop or made out of available items. Examples include battery cables, shims, and certain washers and nuts.

**“Not Sold Separately”** — Indicates that an item cannot be purchased as a separate item and is either part of an assembly/kit that can be purchased, or is not available for sale through Multiquip.

# DSGPULW DUOSCREENED — SUGGESTED SPARE PARTS

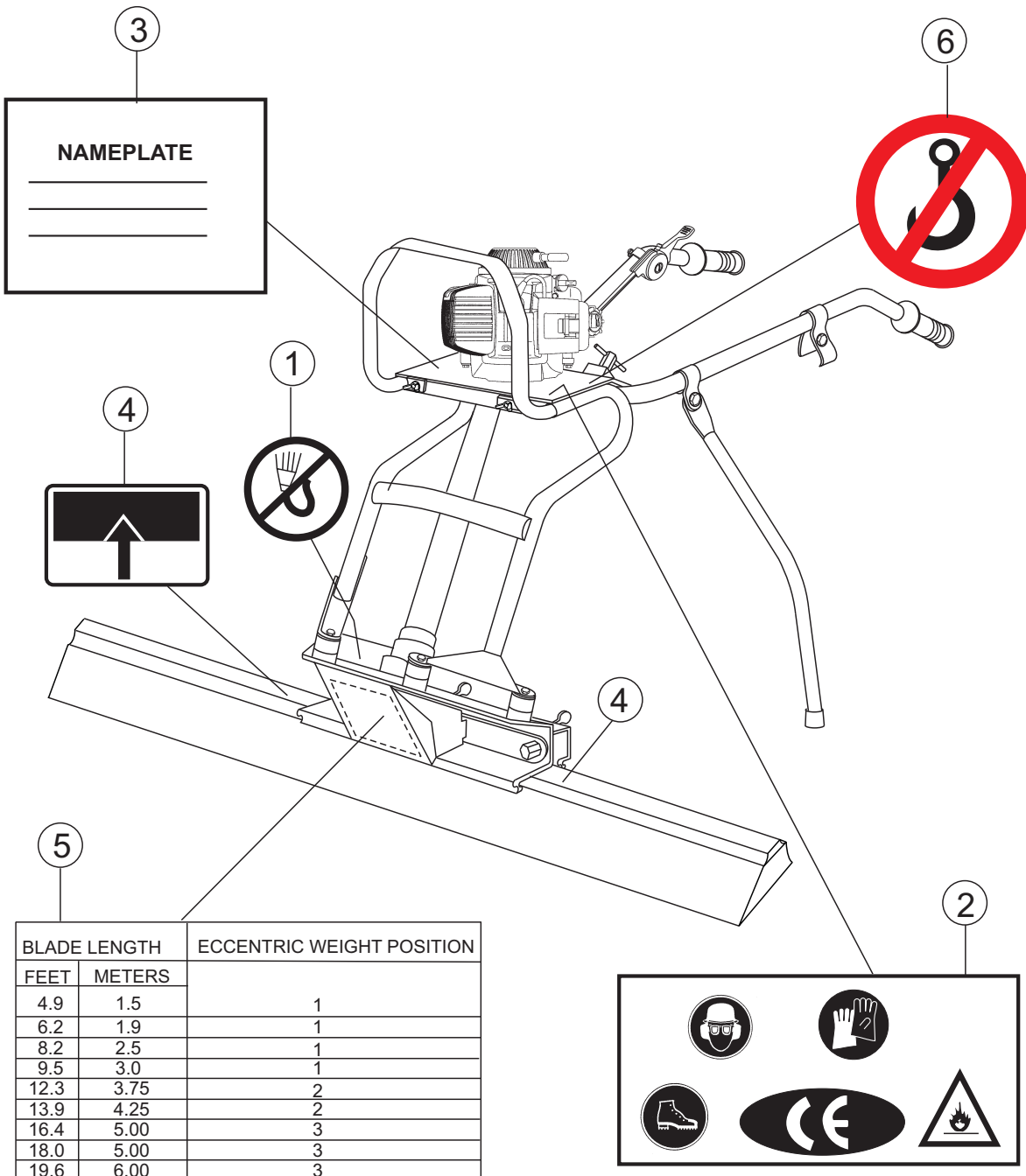
## DUOSCREENED 1 TO 3 UNITS WITH HONDA GX35SAT ENGINE

### *1 to 3 Units*

| Qty..... | P/N.....    | Description             |
|----------|-------------|-------------------------|
| 2        | BF2648      | HANDLE GRIP             |
| 1        | BF2647      | THROTTLE GRIP           |
| 2        | BF2645LW    | THROTTLE CABLE          |
| 1        | BF2621LW    | FLEXIBLE SHAFT          |
| 1        | BF2609N     | ECCENTRIC COVER         |
| 3        | BF2607      | COMPRESSION SPRING      |
| 1        | BF2605LW    | ALUMINUM CLAMPING STRIP |
| 3        | BF0176      | WASHER                  |
| 3        | BF2606      | WING BOLT               |
| 1        | BF2643      | STOP SWITCH             |
| 3        | BF0325      | WING BOLT M6X12         |
| 3        | 31915Z0H003 | SPARK PLUG, NGK         |
| 3        | 17211Z0Z000 | ELEMENT AIR             |
| 1        | 15600ZM3003 | CAP, OIL FILLER         |
| 1        | 28400Z0Z003 | RECOIL STARTER ASSY.    |
| 3        | 17672ZM3003 | FILTER, FUEL            |
| 1        | 17620ZM3043 | CAP ASSY., FUEL TANK    |
| 1        | 28462ZM3003 | ROPE, RECOIL STARTER    |

# DSGPULW DUOSCREED — NAME PLATE AND DECALS

NAME PLATE AND DECALS.



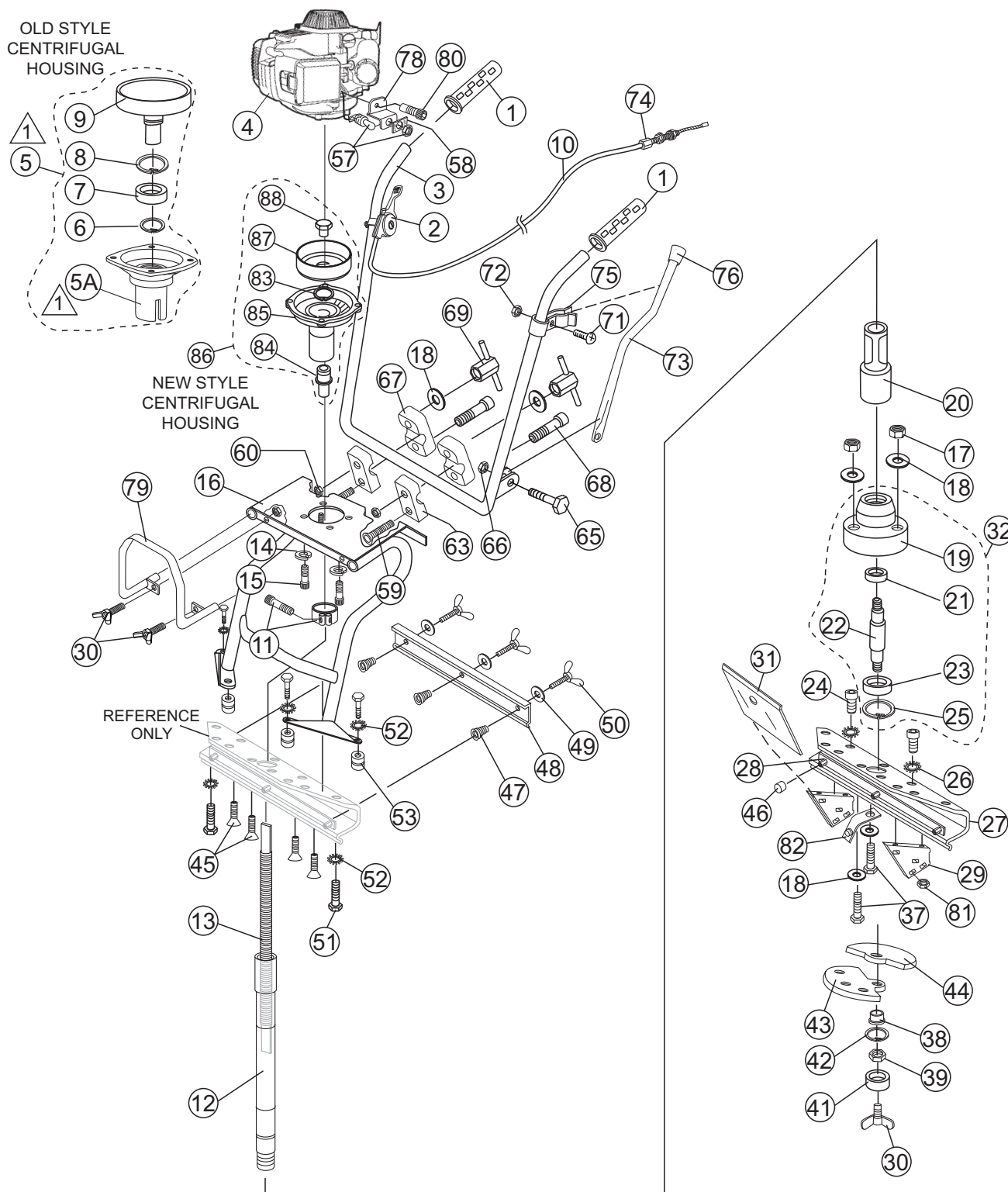
# DSGPULW DUOSCREEN — NAME PLATE AND DECALS

NAME PLATE AND DECALS.

| <u>NO</u> | <u>PART NO</u> | <u>PART NAME</u>              | <u>QTY.</u> | <u>REMARKS</u>                             |
|-----------|----------------|-------------------------------|-------------|--|
| 1*        | DCL121         | DECAL, PRESSURE HOSE          | 1           |  |
| 2*        | DCL122         | DECAL, SAFETY                 | 1           |  |
| 3         |                | PLATE, SERIAL NO. ....        | 1           | ..... CONTACT MQ PARTS DEPT. W/MODEL & S/N |
| 4*        | DCL140         | DECAL, ALIGNMENT ARROWS ..... | 2           |  |
| 5*        | DCL141         | DECAL, ECCENTRIC WT. CHART    | 1           |  |
| 6         | BF260002       | DECAL, DO NOT LIFT (HOOK)     | 1           |  |
|           | DCLDS-SERIES   | KIT, DECAL .....              | 1           | ..... INCLUDES ITEMS W/*                   |

# DSGPULW DUOSCREED — MAIN ASSY.

## DUO SCREED MAIN ASSY.



### NOTES

- 1 OLD STYLE CENTRIFUGAL HOUSING ASSEMBLY NO LONGER AVAILABLE. IF REPLACEMENT OF ITEM 5A IS REQUIRED, ORDER NEW STYLE HOUSING ASSEMBLY, ITEM 86.

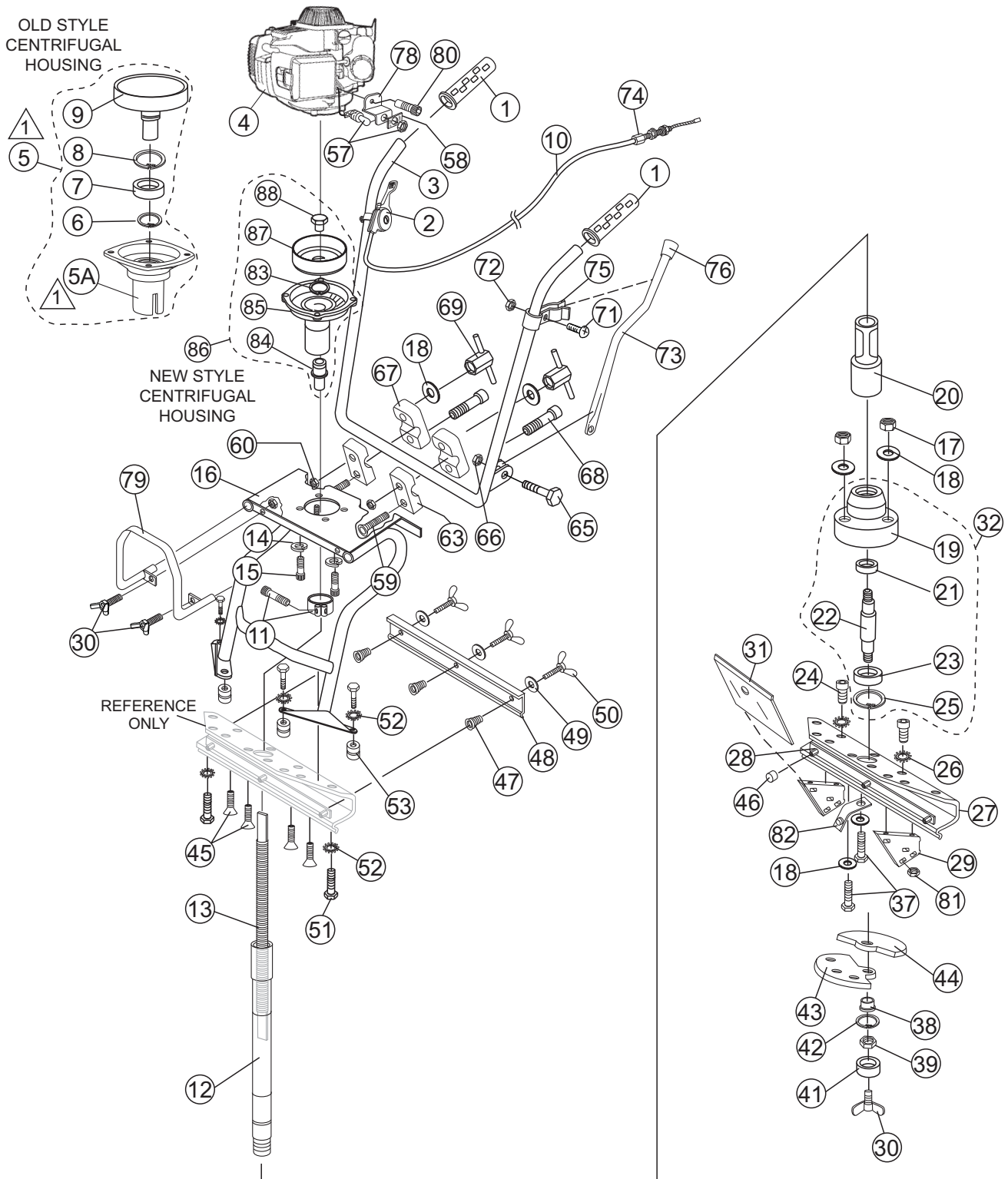
# DSGPULW DUOSCREED — MAIN ASSY.

## DUO SCREED MAIN ASSY.

| <u>NO.</u> | <u>PART NO.</u> | <u>PART NAME</u>                     | <u>QTY.</u> | <u>REMARKS</u>  |
|------------|-----------------|--------------------------------------|-------------|---|
| 1          | BF2648          | HANDLE GRIP                          | 2           |   |
| 2          | BF2647          | THROTTLE HANDLE                      | 1           |   |
| 3          | BF2633LW        | UPPER OPERATING HANDLE               | 1           |   |
| 4          | 2640A35         | ENGINE HONDA GX-35SAT                | 1           |   |
| 5          |                 | CENTRIFUGAL CLUTCH HOUSING CP .....  | 1 .....     | NO LONGER AVAILABLE<br>S/N 0185 AND BELOW<br>SEE NOTE ON DRAWING<br>INCLUDES ITEM W/* |
| 5A*        |                 | CENTRIFUGAL CLUTCH HOUSING .....     | 1 .....     | NO LONGER AVAILABLE<br>S/N 0185 AND BELOW<br>SEE NOTE ON DRAWING                      |
| 6*         | BF0201          | RETAINING RING 17 X 1 MM .....       | 1 .....     | S/N 0185 AND BELOW<br>IN CENTRIFUGAL HOUSING  |
| 7*         | BF2642C         | BEARING IN CENTRIFUGAL HOUSING ..... | 1 .....     | S/N 0185 AND BELOW  |
| 8*         | BF0205          | RETAINING RING ( BIG ) .....         | 1 .....     | S/N 0185 AND BELOW  |
| 9*         | BF2642          | CENTRIFUGAL DRUM .....               | 1 .....     | S/N 0185 AND BELOW  |
| 10         | BF2645LW        | INNER & OUTER CABLE, 87 CMS.         | 1           |   |
| 11         | BF2626          | CENTRIFUGAL HOUSING CLAMP            | 1           |   |
| 12         | BF2625LW        | RUBBER HOSE WITH CONNECTORS          | 1           |   |
| 13         | BF2621LW        | FLEXIBLE SHAFT                       | 1           |   |
| 14         | BF0178          | SPRING WASHER M6 TYPE B              | 4           |   |
| 15         | BF0165          | SOCKET HEAD BOLT M6 X 25             | 4           |   |
| 16         | BF2632LW        | LOWER OPERATING HANDLE               | 1           |   |
| 17         | BF0101          | SELF LOCKING NUT M8                  | 3           |   |
| 18         | BF0155          | FLAT WASHER M8                       | 8           |   |
| 19%        | BF2611          | ECCENTRIC HOUSING                    | 1           |   |
| 20         | BF1100000008    | COUPLING DRIVE PIN                   | 1           |   |
| 21%        | BF2619          | BEARING (SMALL)                      | 1           |   |
| 22%        | BF2612          | ECCENTRIC SHAFT                      | 1           |   |
| 23%        | BF2314          | BEARING (BIG)                        | 1           |   |
| 24         | BF0278          | TAP BOLT M8 X 30 .....               | 4 .....     | REPLACES P/N BF0125   |
| 25%        | BF0201          | RETAINING RING 17 X 1MM              | 1           |   |
| 26         | BF0213          | TOOTH WASHER M8                      | 4           |   |
| 27         | BF2604LW        | ECCENTRIC ASSEMBLY PLATE             | 1           |   |
| 28         | BF2610LW        | STRIP & NUTS FOR ALUMINUM CLAMP      | 1           |   |
| 29         | BF2608N         | SUPPORT BLOCK                        | 2           |   |
| 30         | BF0325          | WING BOLT M6 X12                     | 3           |   |
| 31         | BF2609N         | ECCENTRIC COVER                      | 1           |   |
| 32         | BF2611KOMPL     | ECCENTRIC HOUSING COMPLETE .....     | 1 .....     | INCLUDES ITEMS W/%  |
| 37         | BF0129          | TAP BOLT M8 X 40                     | 3           |   |
| 38         | BF2614          | ECCENTRIC HINGE BUSHING              | 1           |   |
| 39         | BF0177          | NUT M12 (FINE)                       | 1           |   |
| 41         | BF2613          | ECCENTRIC CLAMPING BUSH              | 1           |   |

# DSGPULW DUOSCREED — MAIN ASSY.

## DUO SCREED MAIN ASSY.



### NOTES

- 1 OLD STYLE CENTRIFUGAL HOUSING ASSEMBLY NO LONGER AVAILABLE. IF REPLACEMENT OF ITEM 5A IS REQUIRED, ORDER NEW STYLE HOUSING ASSEMBLY, ITEM 86.

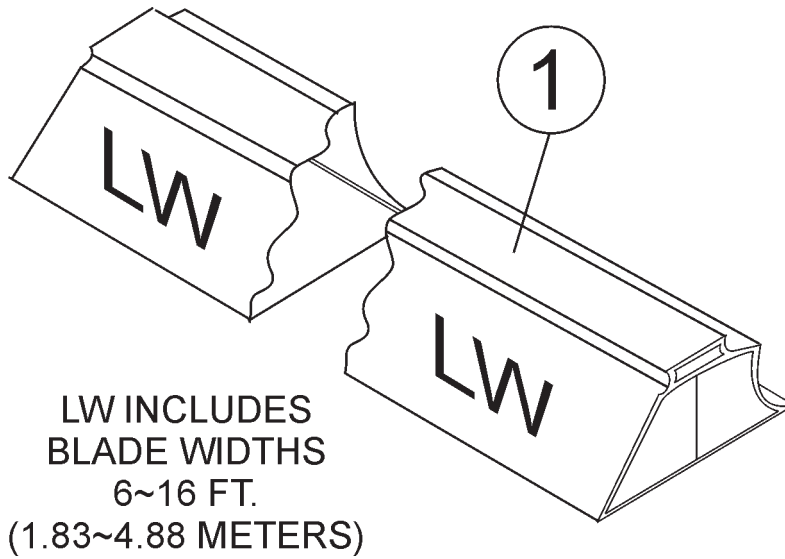
# DSGPULW DUOSCREED — MAIN ASSY.

## DUO SCREED MAIN ASSY.

| <u>NO.</u> | <u>PART NO.</u> | <u>PART NAME</u>                      | <u>QTY.</u> | <u>REMARKS</u>                           |
|------------|-----------------|---------------------------------------|-------------|--|
| 42         | BF0175          | RETAINING RING M12                    | 1           |  |
| 43         | BF2615A         | ECCENTRIC PLATE (SMALL)               | 1           |  |
| 44         | BF2615B         | ECCENTRIC PLATE (BIG)                 | 1           |  |
| 45         | BF0207          | COUNTERSUNK HEADSCREW 8.8 M8X25       | 4           |  |
| 46         | BF2617          | PLASTIC PROTECTION CAP M12            | 3           |  |
| 47         | BF2607          | COMPRESSION SPRING FOR CLAMPING STRIP | 3           |  |
| 48         | BF2605LW        | ALUMINUM CLAMPING STRIP               | 1           |  |
| 49         | BF0176          | WASHER M12X6                          | 3           |  |
| 50         | BF2606          | WING BOLT                             | 3           |  |
| 51         | BF0285          | TAP BOLT M8X12                        | 3           |  |
| 52         | BF0212          | INTERNAL TOOTHING RING M8             | 8           |  |
| 53         | BF0056          | RUBBER BUFFER 30X30 M8                | 4           |  |
| 54         | BF0124          | TAP BOLT M8X10                        | 4           |  |
| 56         | BF2643A         | GROUND WIRE FOR STOP SWITCH           | 1           |  |
| 57         | BF2643          | STOP SWITCH .....                     | 1           | INCLUDES ITEMS W/#                       |
| 58#        | BF2658          | START-STOP DECAL                      | 1           |  |
| 59         | BF0283          | CARRIAGE BOLT M8X50                   | 2           |  |
| 60         | BF0089          | SELF LOCKING FLANGE NUT M6            | 2           |  |
| 63         | BF2635          | LOWER ALUMINUM CLAMP                  | 2           |  |
| 65         | BF0181          | TAP BOLT M6X30 .....                  | 1           | REPLACES P/N BF0258                      |
| 66         | BF0100          | SELF LOCKING NUT                      | 1           |  |
| 67         | BF2635A         | UPPER ALUMINUM CLAMP                  | 2           |  |
| 68         | BF0284          | SOCKET HEAD BOLT M6X40                | 2           |  |
| 69         | BF2636          | CLAMP FOR HEIGHT ADJUSTMENT           | 2           |  |
| 71         | BF0167          | SCREW M5X16 .....                     | 1           | REPLACES P/N BF0261                      |
| 72         | BF0099          | SELF LOCKING NUT M5                   | 1           |  |
| 73         | BF2637LW        | SUPPORTING LEG                        | 1           |  |
| 74         | BF2644          | GAS THROTTLE ADJUSTMENT BOLT          | 1           |  |
| 75         | BF2639          | CLAMP FOR SUPPORTING LEG              | 1           |  |
| 76         | BF2634          | RUBBER PROTECTION CAP FOR SUPPORT LEG | 1           |  |
| 78         | BF2321H         | SWITCH BRACKET                        | 1           |  |
| 79         | 260075LW        | LIFTING HANDLE STEEL                  | 1           |  |
| 80         | BF0269          | SOCKET HEAD BOLT M5 X12               | 1           |  |
| 81         | BF0206          | SQUARE NUTS M8                        | 8           |  |
| 82         | BF26061         | SPRING CLIP, COVER PLATE              | 1           |  |
| 83@        | BF0217          | RETAINING RING .....                  | 1           | S/N 0186 AND ABOVE                       |
| 84@        | BF2653          | COUPLING DRIVE PIN .....              | 1           | S/N 0186 AND ABOVE                       |
| 85@        | BF2641LOS       | CENTRIFUGAL HOUSING W/BEARING .....   | 1           | S/N 0186 AND ABOVE                       |
| 86         | BF2641          | CENTRIFUGAL HOUSING COMPLETE .....    | 1           | INCLUDES ITEMS W/@<br>S/N 0186 AND ABOVE |
| 87@        | BF2652          | CENTRIFUGAL DRUM .....                | 1           | S/N 0186 AND ABOVE                       |
| 88@        | BF2627          | BOLT M12 X 16 .....                   | 1           | S/N 0186 AND ABOVE                       |

# DSGPULW DUOSCREED — BLADE ASSY.

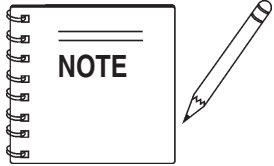
DUO SCREED BLADE ASSY.



# DSGPULW DUOSCREED — BLADE ASSY.

## DUO SCREED BLADE ASSY.

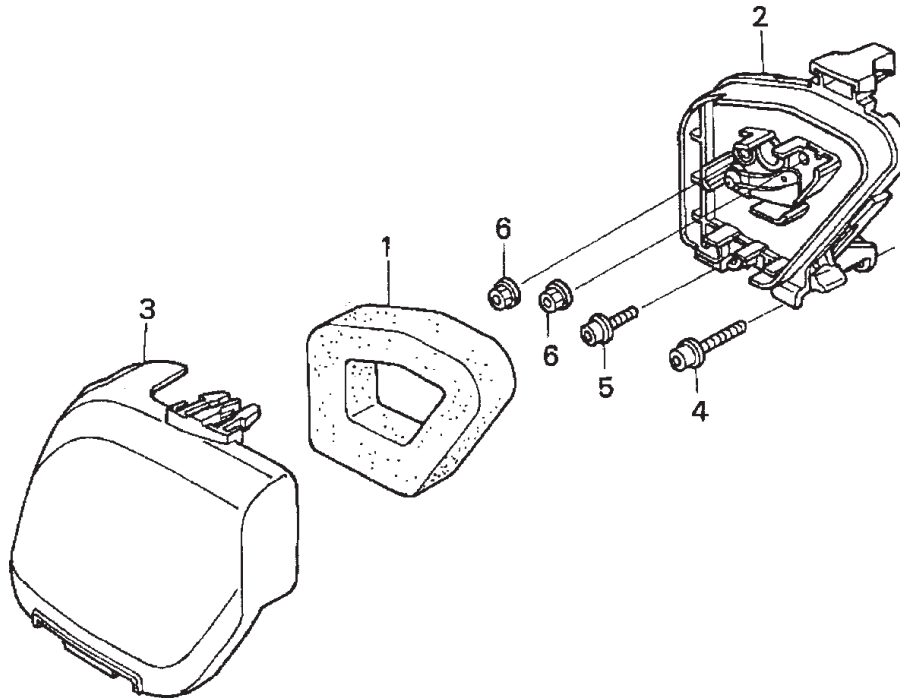
| <u>NO.</u> | <u>PART NO.</u> | <u>PART NAME</u>                        | <u>QTY.</u> | <u>REMARKS</u>          |
|------------|-----------------|---|-------------|-------------------------|
| 1          | DSB6LW          | DUOSCREED BLADE 1.83 MTR. - 6 FT. ....  | 1           | REPLACES P/N BF260018LW |
| 1          | DSB8LW          | DUOSCREED BLADE 2.44 MTR. - 8 FT. ....  | 1           | REPLACES P/N BF260024LW |
| 1          | DSB10LW         | DUOSCREED BLADE 3.05 MTR. - 10 FT. .... | 1           | REPLACES P/N BF260030LW |
| 1          | DSB12LW         | DUOSCREED BLADE 3.66 MTR. - 12 FT. .... | 1           | REPLACES P/N BF260036LW |
| 1          | DSB14LW         | DUOSCREED BLADE 4.27 MTR. - 14 FT. .... | 1           | REPLACES P/N BF260042LW |
| 1          | DSB16LW         | DUOSCREED BLADE 4.88 MTR. - 16 FT. .... | 1           | REPLACES P/N BF260048LW |



ITEM 1, IS AN ACCESSORY. ORDER FROM UNIT SALES DEPT.

# HONDA GX35SAT ENGINE — AIR CLEANER ASSY.

AIR CLEANER ASSY.



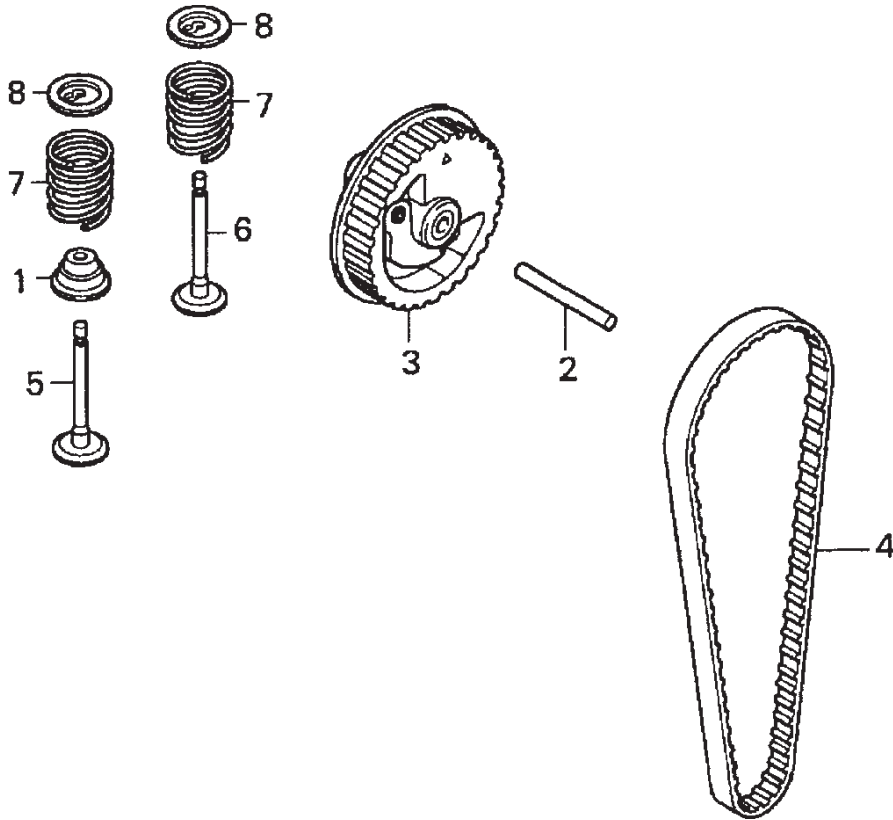
## HONDA GX35SAT ENGINE — AIR CLEANER ASSY.

### AIR CLEANER ASSY.

| <u>NO.</u> | <u>PART NO.</u> | <u>PART NAME</u>     | <u>QTY.</u> | <u>REMARKS</u> |
|------------|-----------------|----------------------|-------------|----------------|
| 1          | 17211Z0Z000     | ELEMENT, AIR CLEANER | 1           |                |
| 2          | 17220Z0Z000     | HOUSING, AIR CLEANER | 1           |                |
| 3          | 17231Z0Z000     | COVER, AIR CLEANER   | 1           |                |
| 4          | 90009Z0Z003     | BOLT, SOCKET 5X25    | 1           |                |
| 5          | 90018Z0H003     | BOLT, SOCKET 5X16    | 1           |                |
| 6          | 9405005000      | NUT FLANGE 5MM       | 2           |                |

# HONDA GX35SAT ENGINE — CAM PULLEY ASSY.

CAM PULLEY ASSY.



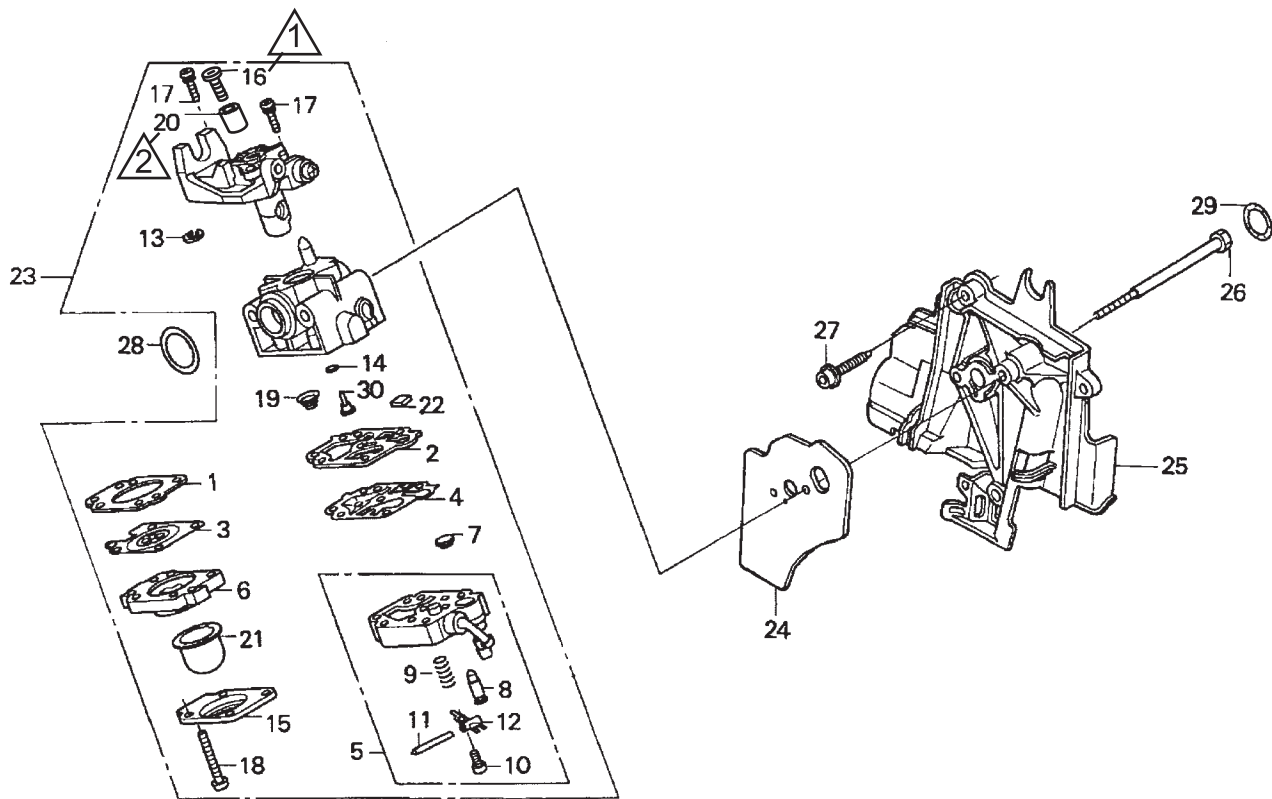
# HONDA GX35SAT ENGINE — CAM PULLEY ASSY.

## CAM PULLEY ASSY.


| <u>NO.</u> | <u>PART NO.</u> | <u>PART NAME</u>         | <u>QTY.</u> | <u>REMARKS</u> |
|------------|-----------------|--------------------------|-------------|----------------|
| 1          | 12209Z0H003     | SEAL, VALVE STEM         | 1           |                |
| 2          | 14123Z0Z003     | ROLLER 4X31.8            | 1           |                |
| 3          | 14320Z0Z000     | PULLEY, CAMSHAFT         | 1           |                |
| 4          | 14400Z0Z003     | BELT, TIMING 76ZU7 G-300 | 1           |                |
| 5          | 14711Z0Z000     | VALVE, IN.               | 1           |                |
| 6          | 14721Z0Z000     | VALVE, EX.               | 1           |                |
| 7          | 14751Z0Z000     | SPRING VALVE             | 2           |                |
| 8          | 14771Z0H000     | RETAINER, VALVE SPRING   | 2           |                |

# HONDA GX35SAT ENGINE — CARBURETOR ASSY.

## CARBURETOR ASSY.



 REPLACE HONDA  
P/N 16027ZM3004 ITEM 16,  
WITH MQ P/N BF0239

 REPLACE HONDA  
P/N 16031ZM3004 ITEM 20,  
WITH MQ P/N BF2646

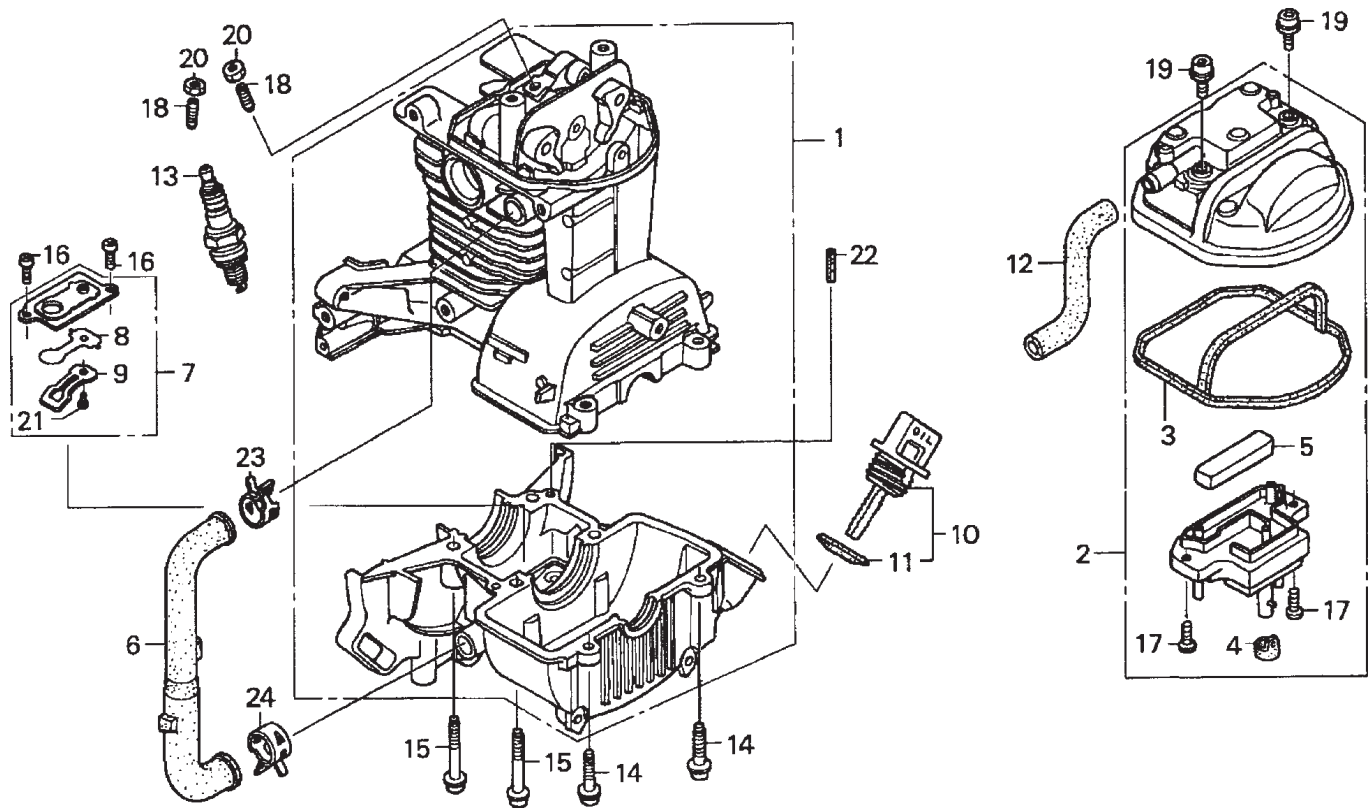
# HONDA GX35SAT ENGINE — CARBURETOR ASSY.

## CARBURETOR ASSY.

| <u>NO.</u> | <u>PART NO.</u> | <u>PART NAME</u>              | <u>QTY.</u> | <u>REMARKS</u>     |
|------------|-----------------|-------------------------------|-------------|--------------------|
| 1#         | 16010ZM3004     | GASKET,METERING DIAPHRAGM     | 1           |                    |
| 2#         | 16011Z0H003     | GASKET, PUMP                  | 1           |                    |
| 3#         | 16013Z0H003     | DIAPHRAGM ASSY.,METERING      | 1           |                    |
| 4#         | 16014ZM3004     | DIAPHRAGM, PUMP               | 1           |                    |
| 5#         | 16015Z0H003     | BODY ASSY., PUMP .....        | 1           | INCLUDES ITEMS W/* |
| 6#         | 16017ZM3004     | BODY ASSY.,AIR PURGE          | 1           |                    |
| 7#         | 16018ZM3802     | SCREEN, INLET                 | 1           |                    |
| 8*#        | 16019ZM3004     | VALVE, INLET NEEDLE           | 1           |                    |
| 9*#        | 16020ZM3004     | SPRING, METERING LEVER        | 1           |                    |
| 10*#       | 16021ZM3004     | SCREW, METERING LEVER PIN     | 1           |                    |
| 11*#       | 16022ZM3004     | PIN, METERING LEVER           | 1           |                    |
| 12*#       | 16023ZM3004     | LEVER, METERING               | 1           |                    |
| 13#        | 16024Z0H003     | RING, RETAINING               | 1           |                    |
| 14#        | 16025ZM3004     | O-RING                        | 1           |                    |
| 15#        | 16026ZM3004     | COVER, PRIMER PUMP            | 1           |                    |
| 16#        | BF0239          | SCREW, M3 X 16 .....          | 1           | MQ PART ONLY       |
| 17#        | 16028ZM3004     | SCREW, THROTTLE COLLAR        | 2           |                    |
| 18#        | 16029ZM3004     | SCREW, PUMP COVER             | 4           |                    |
| 19#        | 16030ZM3004     | SPRING PUMP                   | 1           |                    |
| 20         | BF2646          | RPM LIMITER WASHER .....      | 1           | MQ PART ONLY       |
| 21#        | 16032ZM3004     | PUMP, PRIMER                  | 1           |                    |
| 22#        | 16035ZM3802     | FILTER, FUEL INLET            | 1           |                    |
| 23         | 16100Z0Z004     | CARBURETOR ASST.WYB 16A ..... | 1           | INCLUDES ITEMS W/# |
| 24         | 16221Z0Z000     | GASKET, CARBURETOR            | 1           |                    |
| 25         | 19631Z0Z000     | SHROUD                        | 1           |                    |
| 26         | 90014Z0H003     | BOLT, 5X35                    | 2           |                    |
| 27         | 90018Z0H003     | BOLT, SOCKET 5X16             | 2           |                    |
| 28         | 91301ZM3000     | O-RING, 14.8X2.4              | 1           |                    |
| 29         | 91308Z0H003     | O-RING, 12.3X2.4              | 1           |                    |
| 30         | 99101ZM50350    | JET, #35 OPTIONAL             | 1           |                    |
| 30         | 99101Z0Z0360    | JET, #36 OPTIONAL             | 1           |                    |
| 30#        | 99101Z0Z0370    | JET, #37                      | 1           |                    |

# HONDA GX35SAT ENGINE — CRANKCASE ASSY.

## CRANKCASE ASSY.



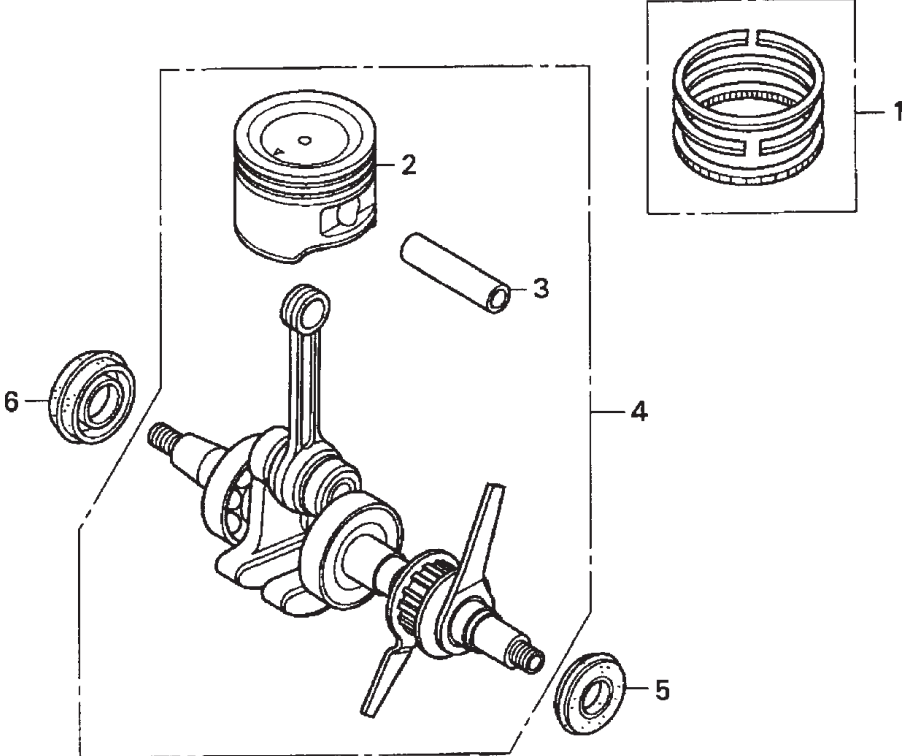
# HONDA GX35SAT ENGINE — CRANKCASE ASSY.

## CRANKCASE ASSY.

| <u>NO.</u> | <u>PART NO.</u> | <u>PART NAME</u>                  | <u>QTY.</u> | <u>REMARKS</u>     |
|------------|-----------------|-----------------------------------|-------------|--------------------|
| 1          | 10100Z0Z405     | CRANKCASE SET                     | 1           |                    |
| 2          | 12310Z0Z000     | COVER, CYLINDER HEAD .....        | 1           | INCLUDES ITEMS W/* |
| 3*         | 12312Z0Z300     | SEAL, HEAD COVER                  | 1           |                    |
| 4*         | 12314Z0H300     | GROMMET, HEAD COVER               | 1           |                    |
| 5*         | 12367Z0H000     | FILTER, BREATHER                  | 1           |                    |
| 6          | 15422Z0Z000     | TUBE, OIL                         | 1           |                    |
| 7          | 15510Z0H000     | PLATE ASSY., OIL OUTLET VAL. .... | 1           | INCLUDES ITEMS/W#  |
| 8#         | 15571ZM3003     | VALVE, OIL OUTLET                 | 1           |                    |
| 9#         | 15572Z0H000     | PLATE, STOPPER                    | 1           |                    |
| 10         | 15600ZM3003     | CAP ASSY., OIL FILLER .....       | 1           | INCLUDES ITEM/W%   |
| 11%        | 15625ZE1003     | GASKET, OIL FILLER CAP            | 1           |                    |
| 12         | 15721Z0Z000     | TUBE, BREATHER                    | 1           |                    |
| 13         | 31915Z0H003     | SPARK PLUG, CMR5H NGK             | 1           |                    |
| 13         | 31916Z0H003     | SPARK PLUG, CMR6H NGK OPTIONAL    | 1           |                    |
| 14         | 90009Z0H003     | BOLT, SOCKET 5X20                 | 2           |                    |
| 15         | 90010Z0Z003     | BOLT, SOCKET 5X32                 | 4           |                    |
| 16         | 90013Z0H004     | SCREW, PAN 4X8                    | 2           |                    |
| 17*        | 90013Z0Z003     | SCREW, PAN 4X8                    | 2           |                    |
| 18         | 90017Z0H000     | SCREW, TAPPET ADJUSTING           | 2           |                    |
| 19         | 90019Z0H003     | BOLT, SOCKET 5X12                 | 2           |                    |
| 20         | 90206ZM3000     | NUT, TAPPET ADJUSTING             | 2           |                    |
| 21#        | 93500030050A    | SCREW, PAN 3X5                    | 1           |                    |
| 22         | 9430540102      | PIN, SPRING 4X10                  | 1           |                    |
| 23         | 950024120008    | CLIP, TUBE D12                    | 1           |                    |
| 24         | 950024130004    | CLIP TUBE D13.0                   | 1           |                    |

# HONDA GX35SAT ENGINE — CRANKSHAFT AND PISTON ASSY.

CRANKSHAFT AND PISTON ASSY.



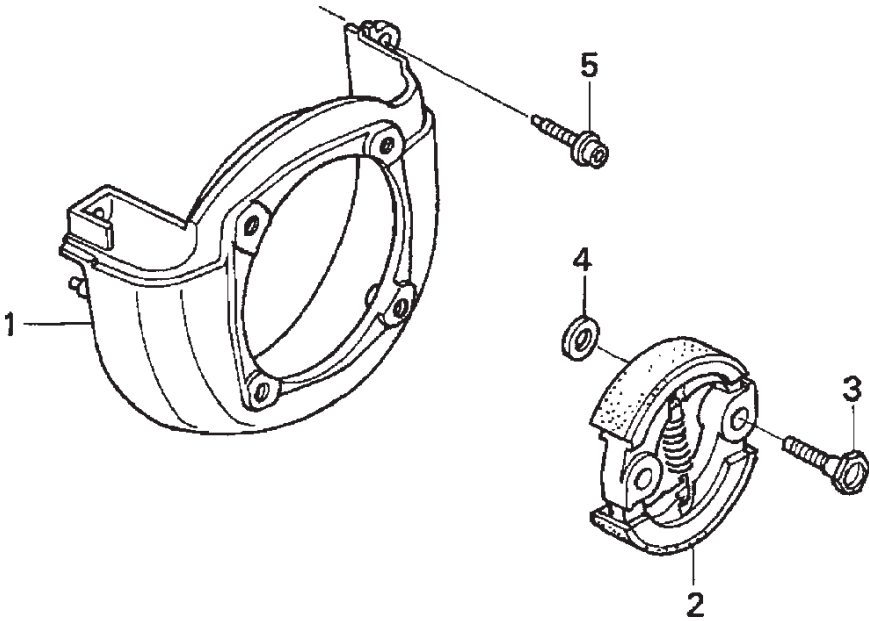
# HONDA GX35SAT ENGINE — CRANKSHAFT AND PISTON ASSY.

## CRANKSHAFT AND PISTON ASSY.

| <u>NO.</u> | <u>PART NO.</u> | <u>PART NAME</u>  | <u>QTY.</u> | <u>REMARKS</u>     |
|------------|-----------------|-------------------|-------------|--------------------|
| 1          | 13010ZM5000     | RING SET, PISTON  | 1           |                    |
| 2*         | 13101Z0Z000     | PISTON            | 1           |                    |
| 3*         | 13111ZM5000     | PIN, PISTON       | 1           |                    |
| 4          | 13310Z0Z000     | CRANKSHAFT .....  | 1           | INCLUDES ITEMS W/* |
| 5          | 91212Z0H003     | OIL SEAL, 10X20X5 | 1           |                    |
| 6          | 91214ZM3003     | OIL SEAL, 15X25X6 | 1           |                    |

# HONDA GX35SAT ENGINE — FAN COVER AND CLUTCH ASSY.

FAN COVER AND CLUTCH ASSY.



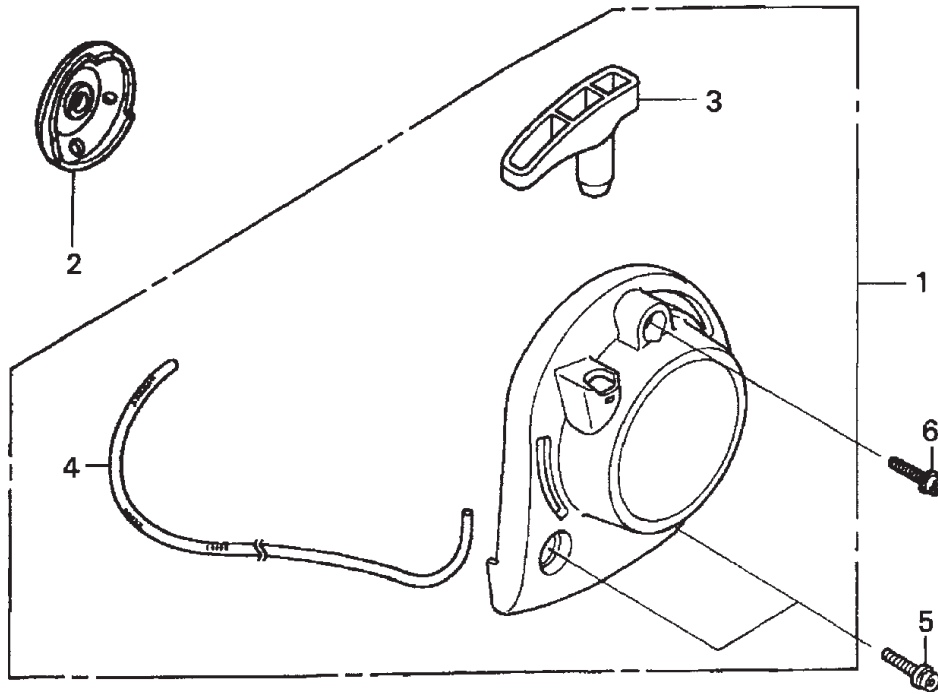
# HONDA GX35SAT ENGINE — FAN COVER AND CLUTCH ASSY.

FAN COVER AND CLUTCH ASSY.

| <u>NO.</u> | <u>PART NO.</u> | <u>PART NAME</u>    | <u>QTY.</u> | <u>REMARKS</u> |
|------------|-----------------|---------------------|-------------|----------------|
| 1          | 19611Z0Z000     | COVER, FAN          | 1           |                |
| 2          | 22000ZM5003     | CLUTCH ASSY.        | 1           |                |
| 3          | 22253ZM5003     | BOLT, CLUTCH 8MM    | 2           |                |
| 4          | 22254ZM5003     | WASHER, CLUTCH 8X17 | 2           |                |
| 5          | 90009Z0H003     | BOLT, SOCKET 5X20   | 3           |                |

# HONDA GX35SAT ENGINE — RECOIL STARTER ASSY.

RECOIL STARTER ASSY.



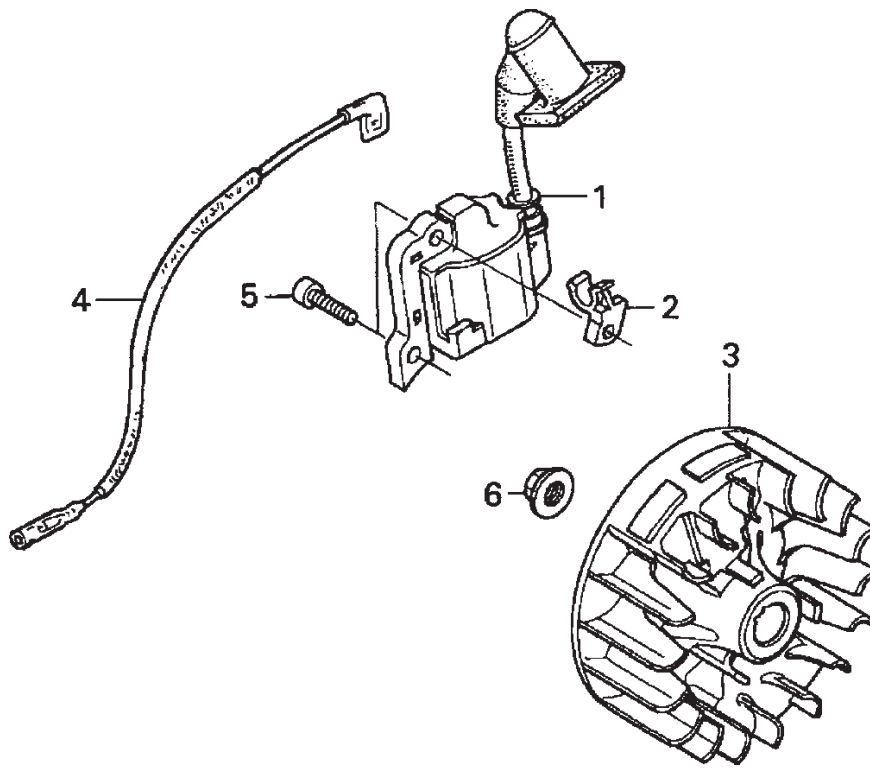
# HONDA GX35SAT ENGINE — RECOIL STARTER ASSY.

## RECOIL STARTER ASSY.

| <u>NO.</u> | <u>PART NO.</u> | <u>PART NAME</u>              | <u>QTY.</u> | <u>REMARKS</u>     |
|------------|-----------------|-------------------------------|-------------|--------------------|
| 1          | 28400Z0Z003     | STARTER ASSY., RECOIL .....   | 1 .....     | INCLUDES ITEMS W/* |
| 2          | 28451Z0H003     | PULLEY, RECOIL STARTER        | 1           |                    |
| 3*         | 28461ZM3003     | KNOB, RECOIL STARTER          | 1           |                    |
| 4*         | 28462ZM3003     | ROPE, RECOIL STARTER #3.5X40" | 1           |                    |
| 6          | 90018Z0H003     | BOLT, SOCKET 5X16             | 1           |                    |

# HONDA GX35SAT ENGINE — FLYWHEEL/IGNITION COIL ASSY.

FLYWHEEL/IGNITION COIL ASSY.



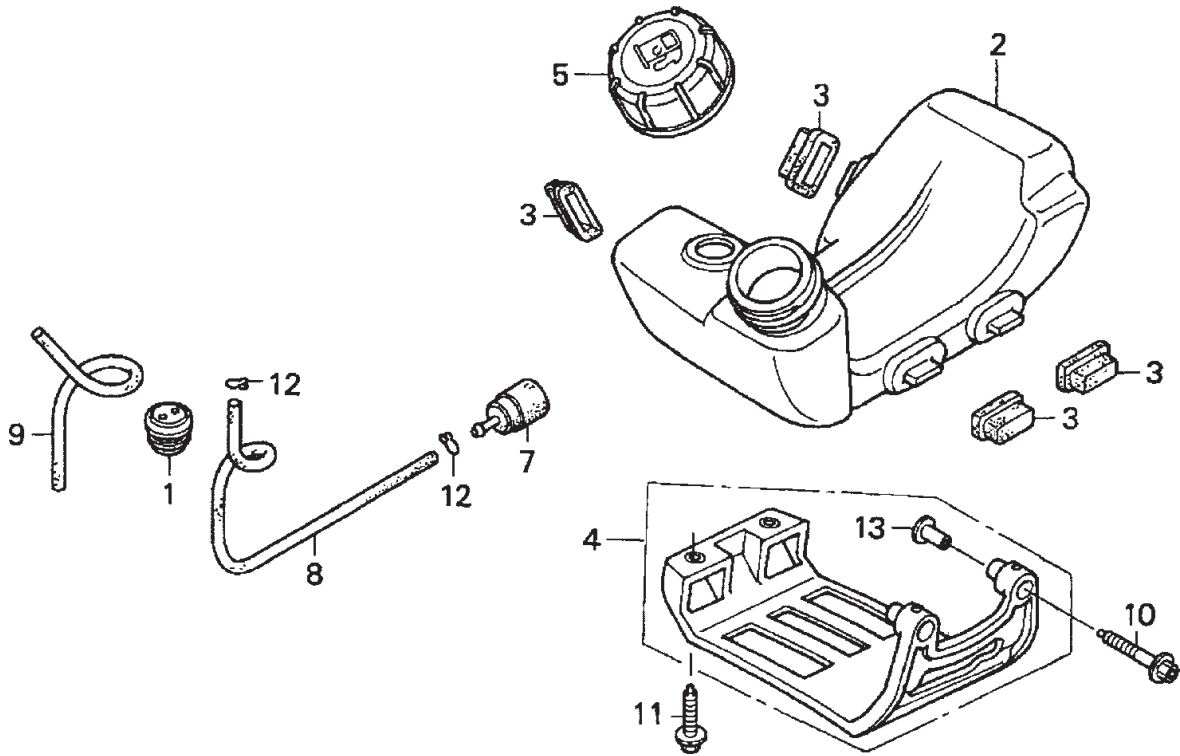
## HONDA GX35SAT ENGINE — FLYWHEEL/IGNITION COIL ASSY.

FLYWHEEL/IGNITION COIL ASSY.

| <u>NO.</u> | <u>PART NO.</u> | <u>PART NAME</u>     | <u>QTY.</u> | <u>REMARKS</u> |
|------------|-----------------|----------------------|-------------|----------------|
| 1          | 30500Z0Z013     | COIL ASSY., IGNITION | 1           |                |
| 2          | 30522Z0Z000     | CLIP, IGNITION WIRE  | 1           |                |
| 3          | 31110Z0Z003     | FLYWHEEL             | 1           |                |
| 4          | 32195Z0Z000     | WIRE, STOP SWITCH    | 1           |                |
| 5          | 90012Z0H005     | BOLT, SOCKETC 4X14   | 2           |                |
| 6          | 9405008000      | NUT FLANGE 8MM       | 1           |                |

# HONDA GX35SAT ENGINE — FUEL TANK ASSY.

FUEL TANK ASSY.



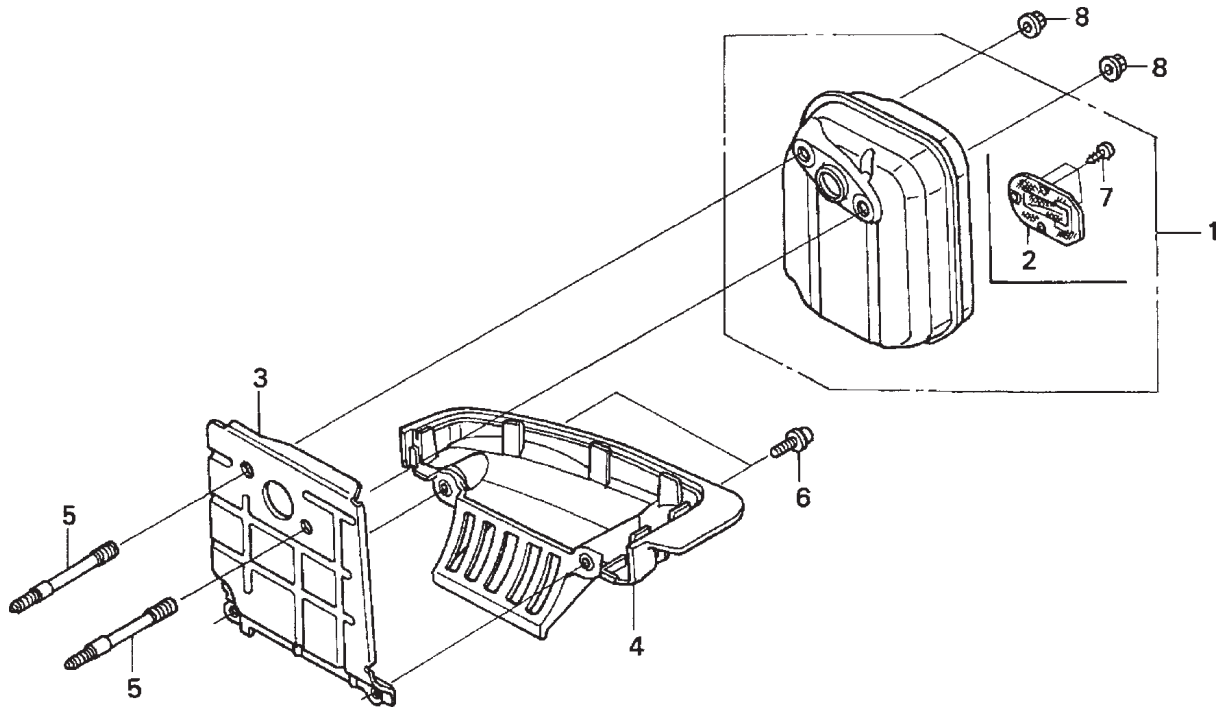
# HONDA GX35SAT ENGINE — FUEL TANK ASSY.

## FUEL TANK ASSY.

| <u>NO.</u> | <u>PART NO.</u> | <u>PART NAME</u>      | <u>QTY.</u> | <u>REMARKS</u>     |
|------------|-----------------|-----------------------|-------------|--------------------|
| 1          | 17504ZM3003     | GROMMET FUEL TUBE     | 1           |                    |
| 2          | 17511Z0Z003     | TANK, FUEL            | 1           |                    |
| 3          | 17533Z0H000     | RUBBER, TANK MOUNTING | 4           |                    |
| 4          | 17555Z0Z000     | GUARD, TANK .....     | 1           | INCLUDES ITEMS W/* |
| 5          | 17620ZM3043     | CAP ASSY., FUEL TANK  | 1           |                    |
| 7          | 17672ZM3003     | FILTER, FUEL          | 1           |                    |
| 8          | 17701Z0Z000     | TUBE, FUEL TANK       | 1           |                    |
| 9          | 17702Z0Z000     | TUBE, FUEL RETURN     | 1           |                    |
| 10         | 90010Z0H003     | BOLT, SOCKET 5X30     | 2           |                    |
| 11         | 90018Z0H003     | BOLT, SOCKET 5X16     | 2           |                    |
| 12         | 91401ZM30063    | CLIP, TUBE            | 2           |                    |
| 13*        | 91501Z0H000     | COLLAR, TANK GUARD    | 2           |                    |

# HONDA GX35SAT ENGINE — MUFFLER ASSY.

MUFFLER ASSY.



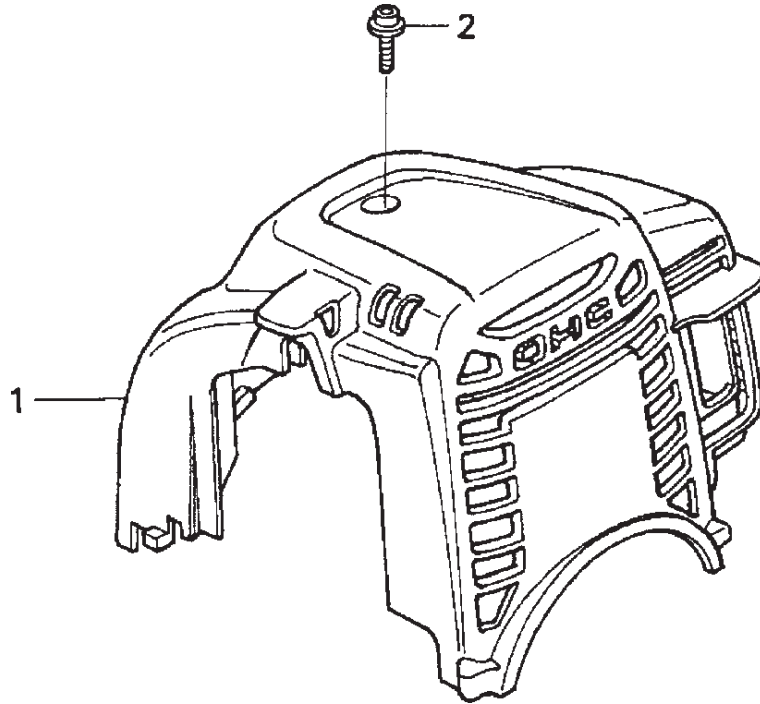
# HONDA GX35SAT ENGINE — MUFFLER ASSY.

## MUFFLER ASSY.

| <u>NO.</u> | <u>PART NO.</u> | <u>PART NAME</u>    | <u>QTY.</u> | <u>REMARKS</u>     |
|------------|-----------------|---------------------|-------------|--------------------|
| 1          | 18310Z0Z800     | MUFFLER .....       | 1 .....     | INCLUDES ITEMS W/* |
| 2*         | 18350Z0Z800     | ARRESTER SPARK      | 1           |                    |
| 3          | 18515Z0Z300     | GUIDE, AIR          | 1           |                    |
| 4          | 18518Z0Z000     | GUIDE, AIR LOWER    | 1           |                    |
| 5          | 90001Z0Z003     | BOLT 2, STUD 5X45.5 | 2           |                    |
| 6          | 90018Z0H003     | BOLT, SOCKET 5X16   | 2           |                    |
| 7*         | 90055ZE1000     | SCREW, TAPPING 4X6  | 3           |                    |
| 8          | 90136SM4901     | NUT, SELF-LOCK 5MM  | 2           |                    |

# HONDA GX35SAT ENGINE — ENGINE TOP COVER ASSY.

ENGINE TOP COVER ASSY.



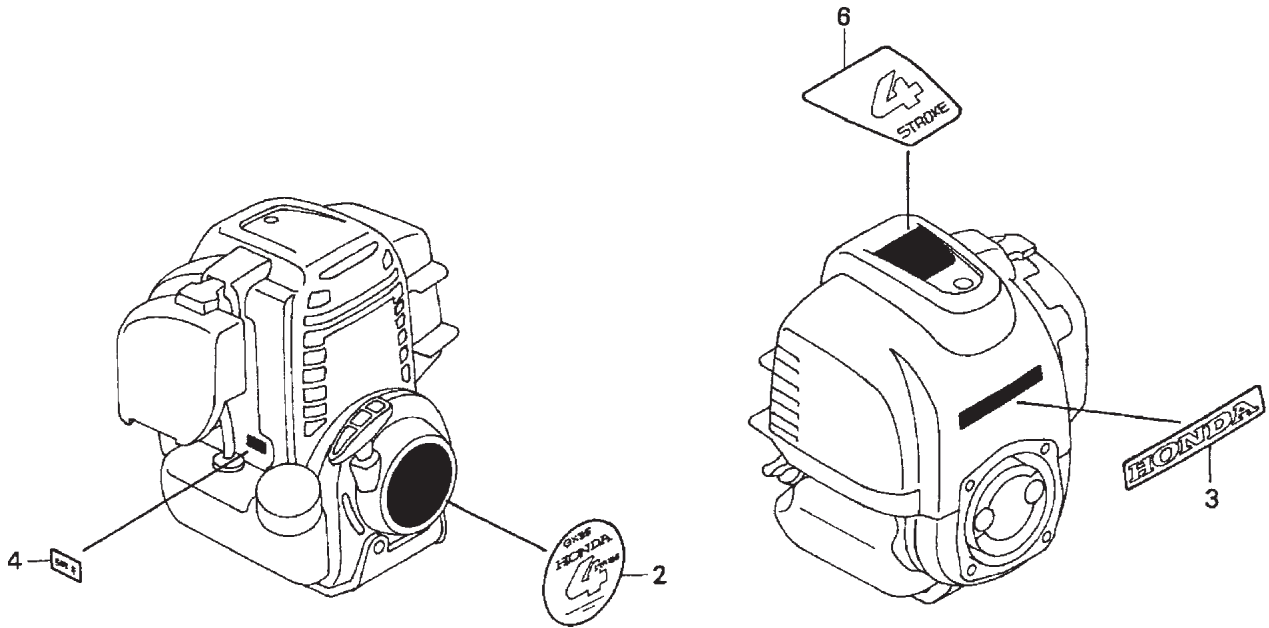
## HONDA GX35SAT ENGINE — ENGINE TOP COVER ASSY.

ENGINE TOP COVER ASSY.

| <u>NO.</u> | <u>PART NO.</u> | <u>PART NAME</u>            | <u>QTY.</u> | <u>REMARKS</u> |
|------------|-----------------|-----------------------------|-------------|----------------|
| 1          | 19720Z0Z000ZA   | COVER, TOP *R280* POWER RED | 1           |                |
| 2          | 90015Z0H003     | BOLT, TOP COVER             | 1           |                |

# HONDA GX35SAT ENGINE — LABELS ASSY.

LABELS ASSY.



# HONDA GX35SAT ENGINE — LABELS ASSY.

LABELS ASSY.

| <u>NO.</u> | <u>PART NO.</u> | <u>PART NAME</u> | <u>QTY.</u> | <u>REMARKS</u> |
|------------|-----------------|------------------|-------------|----------------|
| 2          | 87521Z0Z000     | MARK, EMBLEM     | 1           |                |
| 3          | 87531Z0Z000     | MARK, HONDA      | 1           |                |
| 4          | 87601Z0H860     | MARK, TYPE SAT   | 1           |                |
| 6          | 87660Z0Z000     | MARK, 4-STROKE   | 1           |                |