

# OPERATOR'S SAFETY AND SERVICE MANUAL



## UV-10K

This manual covers the following serial numbers and higher for each model listed:

UV-10K 4040039  
UVW-24 4042010  
UVW-36 4041015



## BOOM MOUNTED VIBRATORY ATTACHMENTS

**MBW, Inc.**  
250 Hartford Rd • PO Box 440  
Slinger, WI 53086-0440  
Phone: (262) 644-5234  
Fax: (262) 644-5169  
Email: [mbw@mbw.com](mailto:mbw@mbw.com)  
Website: [www.mbw.com](http://www.mbw.com)

**MBW (UK) Ltd.**  
Units 2 & 3 Cochrane Street  
Bolton BL3 6BN, England  
Phone: 44 (0) 1204 387784  
Fax: 44 (0) 01204 387797  
Email: [saleseurope@mbw.com](mailto:saleseurope@mbw.com)  
Website: [www.mbweurope.com](http://www.mbweurope.com)

L18898 / 04.21.G  
©MBW, Inc. 2021  
Printed in the USA

**RETURN | PRESSURE**

**OPERATING INSTRUCTIONS**

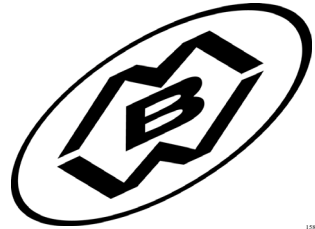
1. Back pressure in return lines **MUST NOT EXCEED 200 PSI.**
2. Hydraulic Requirements:  
 Pressure 1500-3000 psi  
 Volume 20-70 gpm
3. Check for loose hardware after every 20 hours of operation.
4. Do not run exciter when attachment is not in contact of backfill.
5. Not recommended for use on excavators over 60,000 lbs.

18854

**U.S. PATENT 5,244,306  
 U.S. PATENTS PENDING**

13066

13066



**WWW.MBW.COM**  
15874

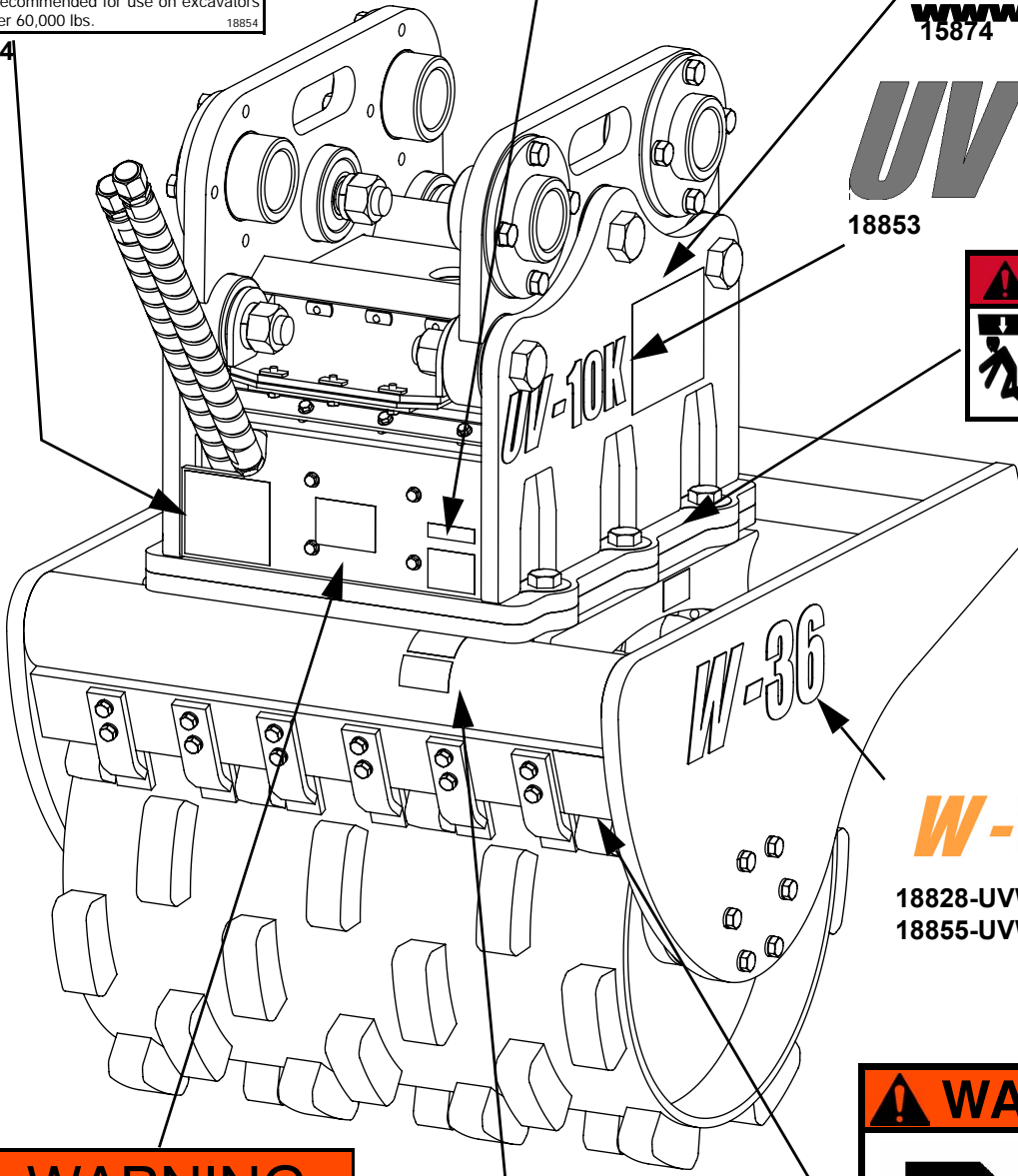
**UV-10K**

18853



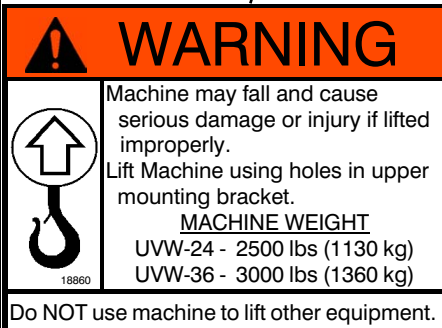
19042

19042



**W-36**

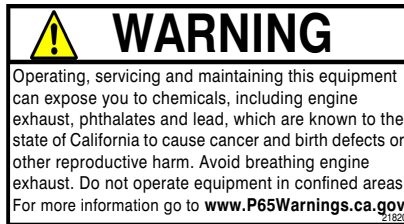
18828-UVW36  
18855-UVW24



18860

Do NOT use machine to lift other equipment.

18860



21820

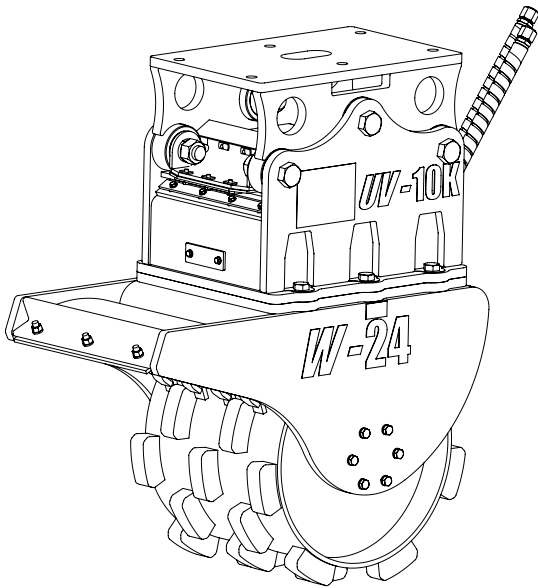


13019

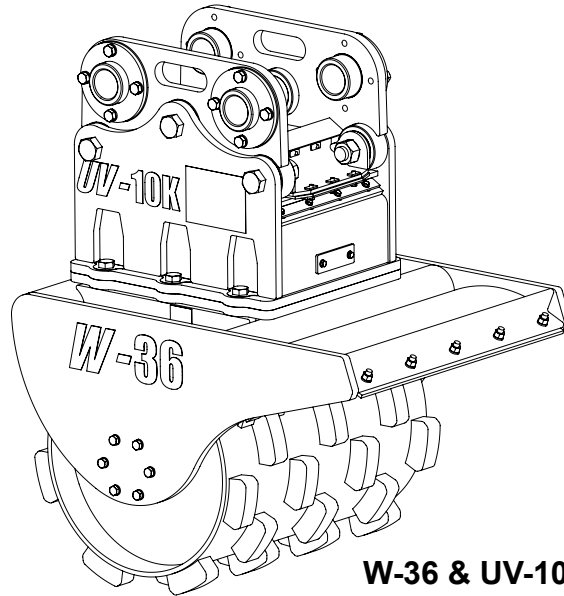
13019

**Safety Decals**

# SPECIFICATIONS



**W-24 & UV-10K (FLAT)**

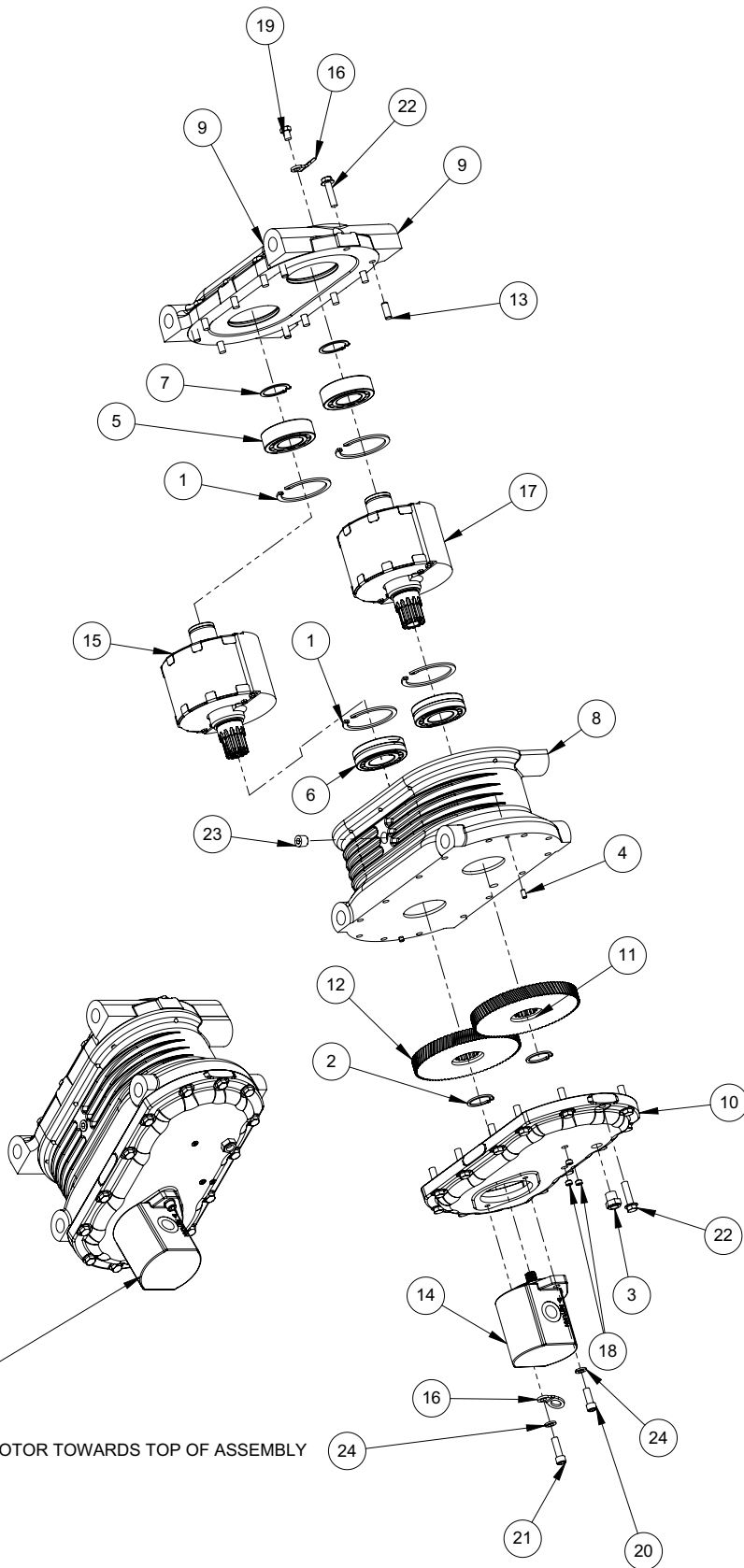


**W-36 & UV-10K (PIN)**

	<b>W-24</b>	<b>W-36</b>	<b>UV-10K (PIN)</b>	<b>UV-10K (FLAT)</b>
<b>Excavator Connection</b>	Flat Top Style	Flat Top Style	Adjustable Pin Style	Flat Top Style
<b>Static Weight*</b>	1367 lbs (620 Kg)*	1750 lbs (794 Kg)*	1019 lbs (462 Kg)*	1095 lbs (497 Kg)*
<b>Overall Width</b>	24" (61 cm)	36" (91 cm)	24" (61 cm)	24" (61 cm)
<b>Drum width</b>	21" (53 cm)	33" (84 cm)	-	-
<b>Drum diameter</b>	28" (71 cm)			
<b>Exciter speed</b>	3000 rpm			
<b>Centrifugal Force</b>	10,000 lbs (45Kn)			
<b>Compaction Depth</b>	24" (61 cm)			
<b>HYDRAULIC REQUIREMENTS</b>				
<b>Pressure</b>			1500-3000 psi	1500-3000 psi
<b>Flow</b>			10-70 gpm	10-70 gpm
<b>Connection</b>			1" Male JIC 37°	1" Male JIC 37°

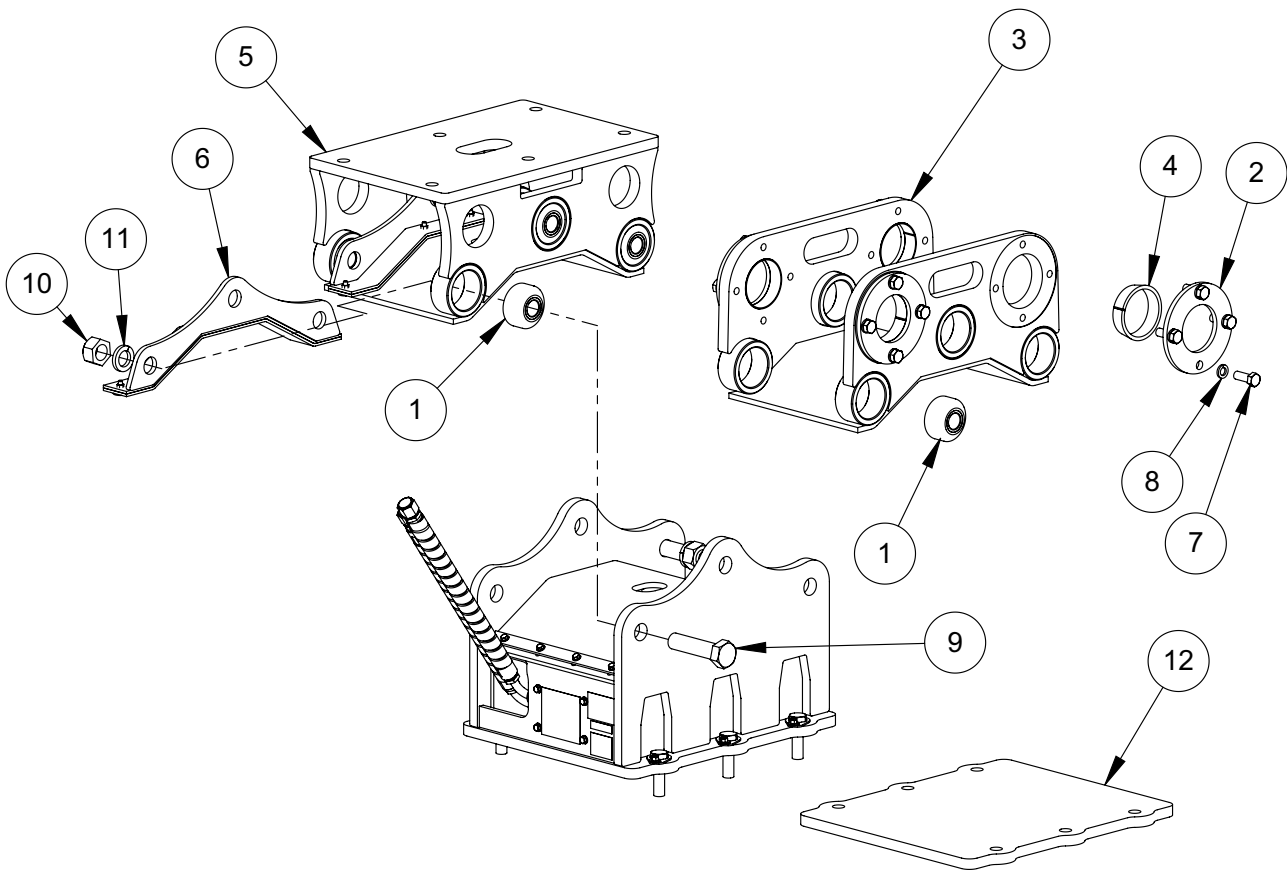
Specifications subject to change without notice

\* Static weight does not include weight of bonnets or auxiliary lines not manufactured by MBW



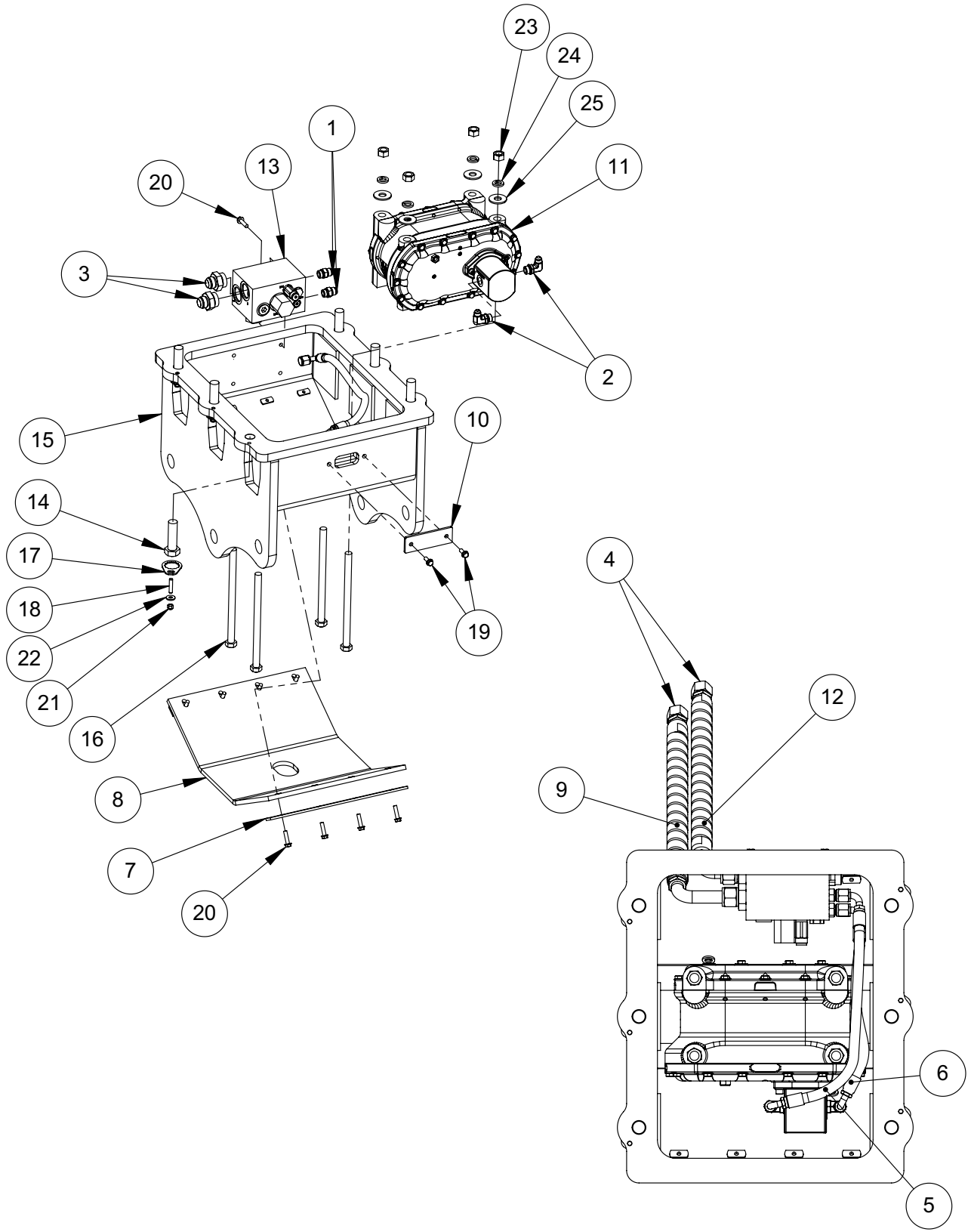
# Exciter Assembly





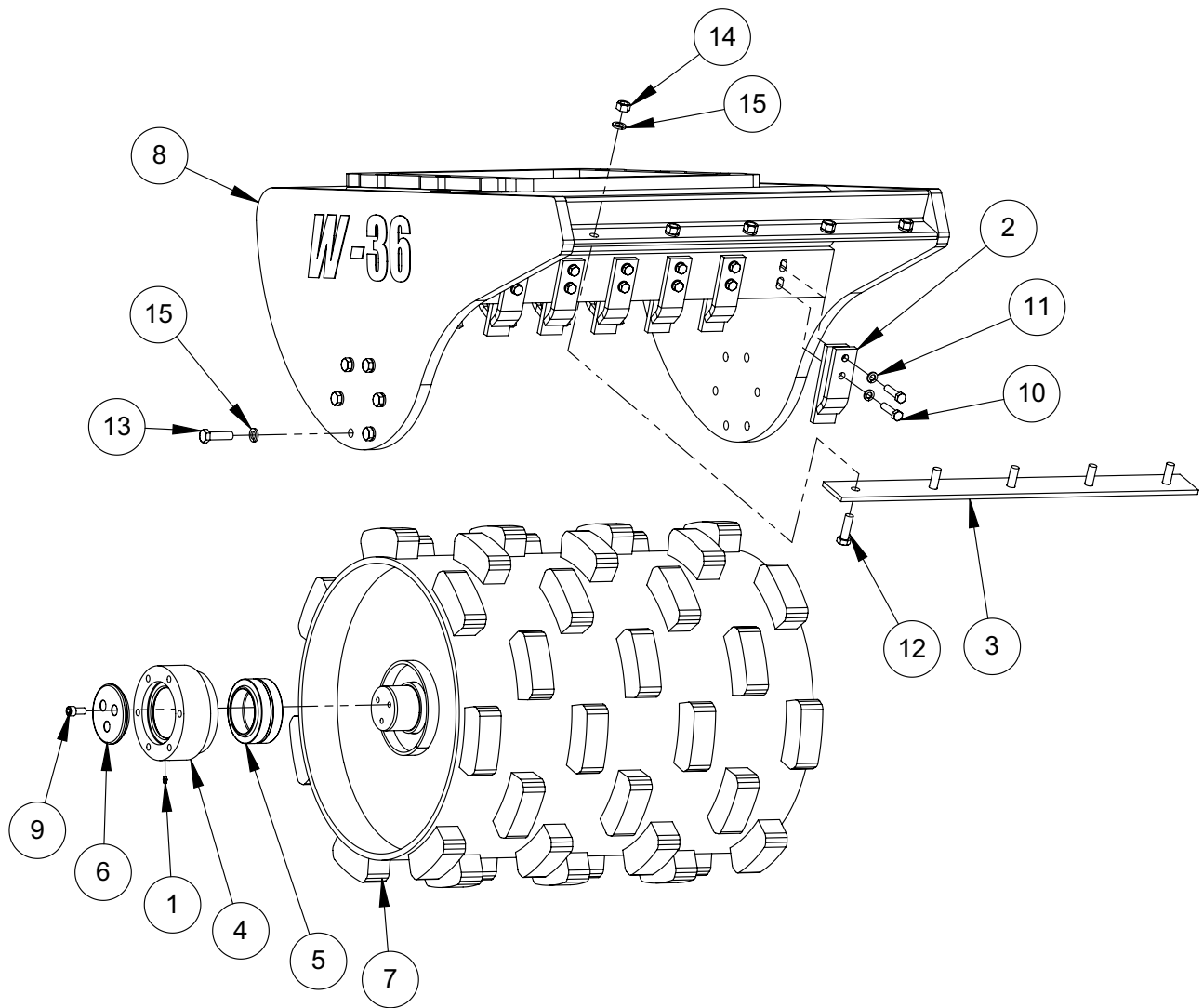
## Bracket Assemblies





# Vibration Head Assembly





# Wheel Assembly

