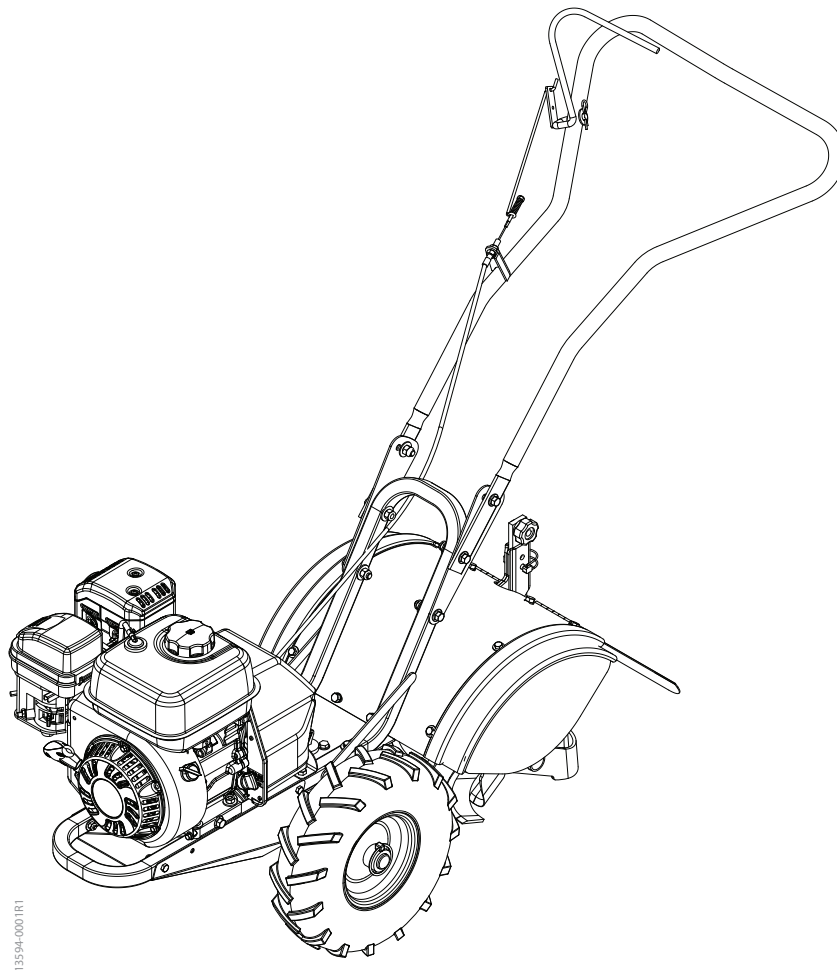

Earthquake[®]
POWERED CHORE EQUIPMENT

Operator's Manual

Rototiller
6015V

SN



PRODUCT #: 6015V
196 CC VIPER ENGINE

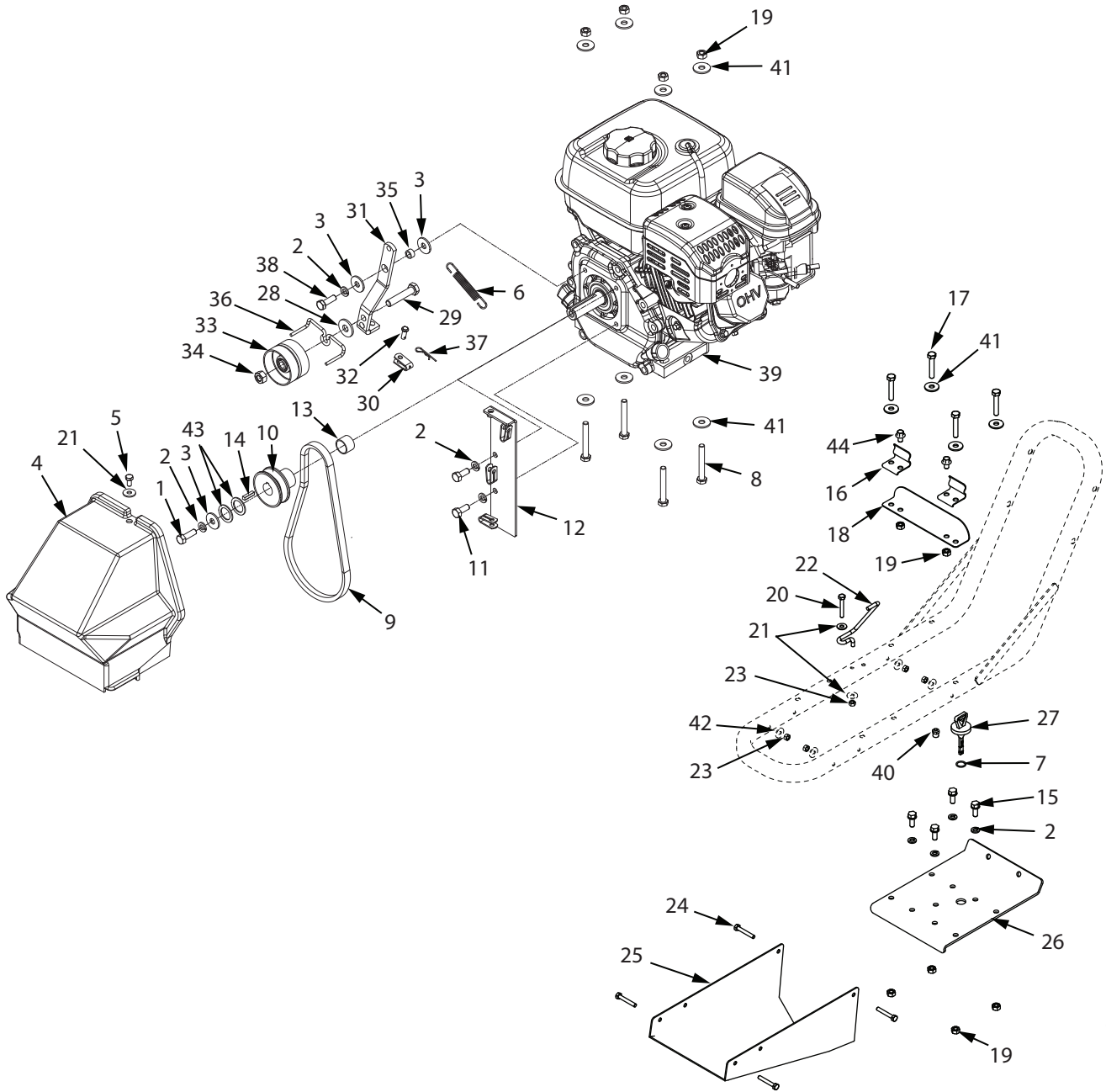


PN: 13594
ECN: 10476
REV5: 10/30/2014
© 2014 Ardisam, Inc.
All Rights Reserved

ILLUSTRATED PARTS BREAKDOWN - 6015 Handlebar Assembly

ITEM #	PART #	DESCRIPTION	QTY.
1	19867	HANDLE, ENGINE MOUNT WELDMENT	1
2	11509	BOLT (M10-1.5 X 45 MM HHFCS GR8.8 ZN)	4
3	W1265V0903	NUT (M10 X 1.5 HNYLK GR 8.8 ZN)	6
4	13285	PLATE, HANDLEBAR EXTENSION, ADJUSTABLE	2
5	19124	BOLT (M10 X 1.5 X 25 HHFCS)	2
6	20167	CABLE SHEATH, REAR TINE, (M6-M8 1016MM)	1
7	4620	NUT (M8 X 1.25 HJAM GR8.8 ZN)	2
8	53620	SPRING, COMPRESSION, FORWARD ARM	1
9	11393	NUT (M5-0.8 X 4.4 MM HNYLK ZN)	1
10	53613	LINK (9 1/2 IN LONG)	1
11	32621	LEVER, WELDMENT, FRONT TINE DRIVE, WIDE	1
12	20173	PIN, COTTER, HAIRPIN (2.5MM DIA. X 35MM)	1
13	31313	HANDLE BAR, WELDMENT, LOOP, REAR TINE	1
14	19905	WASHER M10 X 20MM X 2MM FLAT ZN	7
15	--	ZIP TIE	1

ILLUSTRATED PARTS BREAKDOWN - 6015 Engine and Mount



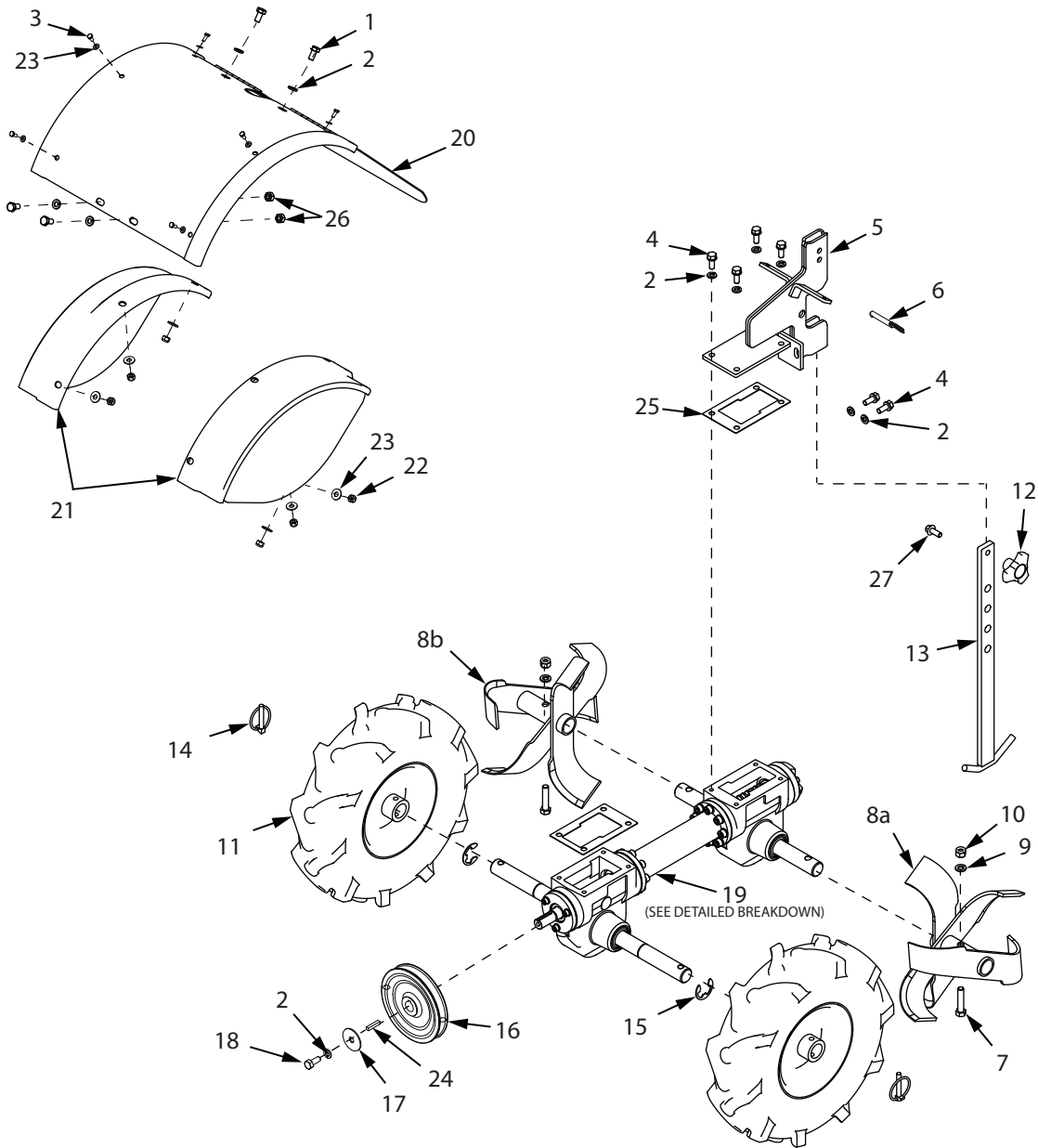
13594-0019R1

ILLUSTRATED PARTS BREAKDOWN - 6015 Engine and Mount

ITEM#	PART #	DESCRIPTION	QTY.
1	810	BOLT (5/16-24 X 1 HH GR5 ZN F-T)	1
2	W1200114	WASHER (M8 X 1.9 SPRLK BLK OX HIGH COLLAR)	8
3	3245	WASHER (M8 8.4MM X 24MM X 2.2MM ZN)	4
4	13453	GUARD ASSEMBLY, BELT WITH TAB	1
5	W1200115	BOLT (M6 X 1 X 12 HHCS GR8.8 ZN F-T)	1
6	1407	SPRING FORWARD ARM	1
7	20407	ORING (14MM ID X 1.8MM)	1
8	20144	BOLT (M8 X 1.25 X 60 HHCS GR 8.8 ZN F-T)	4
9	31315	BELT, DRIVE (26IN 4LXA POWER RATED)	1
10	3178	PULLEY, SINGLE GROOVE ENGINE	1
11	W1265V0904	BOLT (M8 X 1.25 X 20 HHCS ZN GR8.8)	2
12	19869	PLATE , WELDMENT CABLE PULL NP	1
13	19859	SPACER, DRIVE PULLEY (15.8MM)	1
14	3364	KEY, SQUARE (3/16 X 5/8)	1
15	1501	BOLT (5/16-18 X 3/4 SFHH GR5 ZN)	4
16	53618	CLIP, BELT GUARD TILLER (DEC 2005)	2
17	18098	BOLT (M8 X 1.25 X 45 HH GR 8.8 ZN)	4
18	31306	TAB, BELT GUARD SUPPORT SMALL REARTINE	1
19	W1265V0900	NUT (M8 X 1.25 HNYLK GR8.8 ZN)	10
20	11946	BOLT (M6 X 1.0 X 45 HHCS GR8.8 ZN)	1
21	20148	WASHER (M6 X 18 X 1.6 FLAT ZN)	3
22	19895	GUIDE BELT WIRE FORM REAR TINE NP	1
23	W1265V0913	NUT (M6 X 1.0 HNYLK GR8.8 ZN)	5
24	18103	BOLT (M6 X 1.0 X 40 HH GR 8.8 ZN)	4

ITEM#	PART #	DESCRIPTION	QTY.
25	20320	PAN, LOWER NP	1
26	19865	PLATE, TRANNY COVER HOOD MOUNT NP	1
27	53413	DIPSTICK, REAR TINE TRANSMISSION	1
28	19905	WASHER (M10 X 20MM X 2MM FLAT ZN)	1
29	20145	BOLT (M10 X 1.5 X 50 HHCS GR 8.8 ZN P-T)	1
30	53596B	CLEVIS, YOKE ZINC PLATED	1
31	53617	ARM, FORWARD REAR TINE	1
32	1416	PIN, CLEVIS (6.3 X 16.8 MM)	1
33	13364	PULLEY, FORWARD IDLER (10MM ID)	1
34	W1265V0903	NUT (M10 X 1.5 HNYLK GR 8.8 ZN)	1
35	53637	BUSHING (8.3 MM X 12.4 MM 6.7 MM THK)	1
36	739	BELT, REVERSE GUIDE	1
37	1418	PIN, COTTER (5/64 X 1/2 EXTENDED PRONG ZN)	1
38	13826	BOLT M8 X 1.25 X 25 HHCS GR8.8 ZN F-T	1
39	---	ENGINE HORIZ. SHAFT 196CC VIPER	1
40	20110	VENT, BREATHER (M12 X 1.5)	1
41	20143	WASHER (M8 X 16 X 1.6 FLAT ZN)	12
42	20141	WASHER (M6 X 12 X 1.6 FLAT ZN)	4
43	20352	SHIM (28 MM X 19.2 MM X 1.5 MM)	2
44	4711	BOLT M8 X 1.25 X 12MM HHF YZN	2

ILLUSTRATED PARTS BREAKDOWN - 6015 Transmission, Tines, & Hood

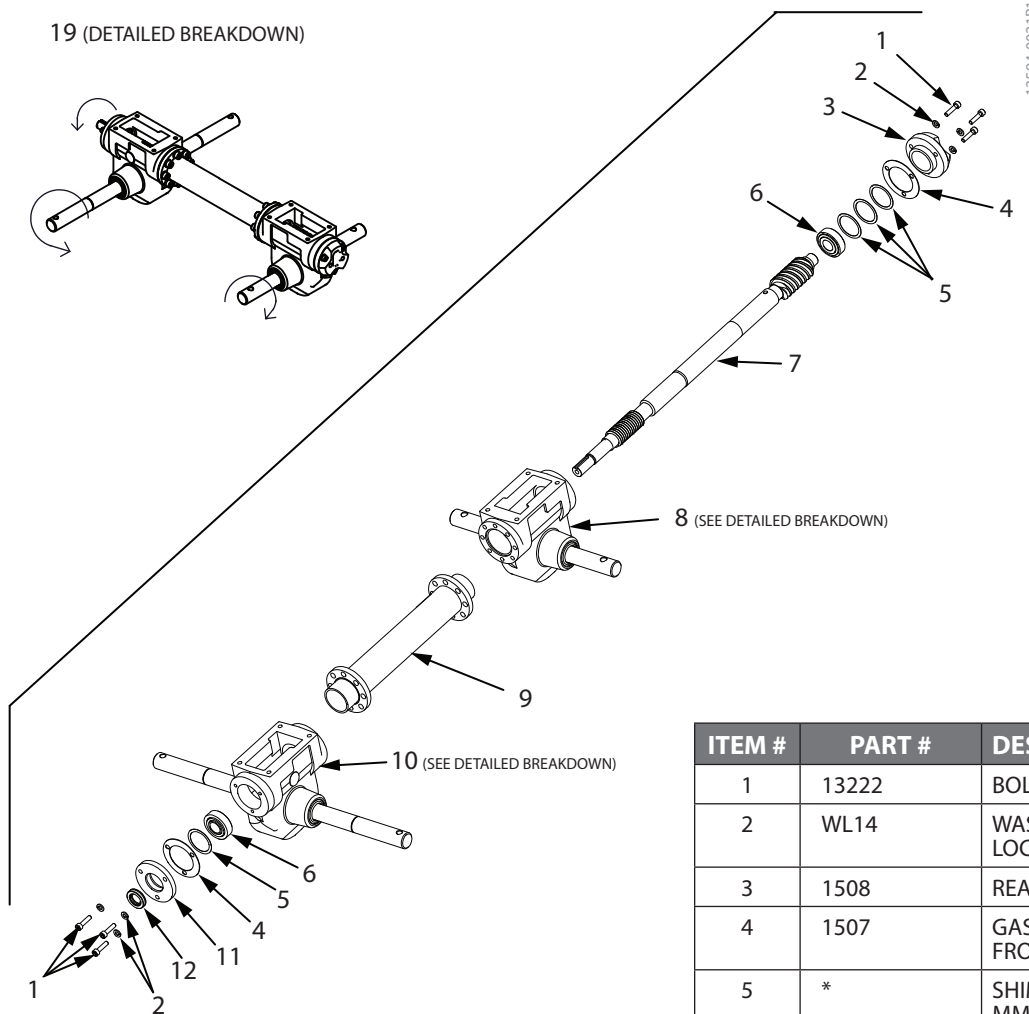


13594-0003RT

ILLUSTRATED PARTS BREAKDOWN - 6015 Transmission, Tines, & Hood

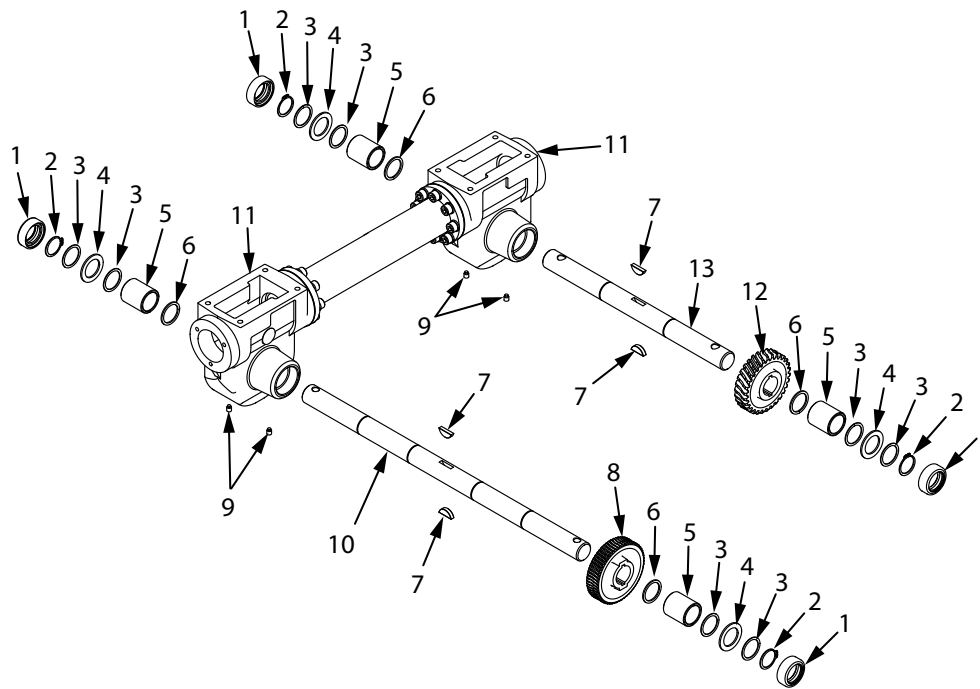
ITEM#	PART #	DESCRIPTION	QTY.
1	20150	BOLT M8 X 1.25 X 15 HHCS GR8.8 ZN	4
2	W1200114	WASHER (M8 X 1.9 SPRLK BLK OX HIGH COLLAR)	11
3	W1200115	BOLT M6 X 1 X 12 HHCS GR8.8 ZN F-T	6
4	1501	BOLT 5/16-18 X 3/4 SFHH GR5 ZN	6
5	20003	WELDMENT TAIL MOUNT REAR TINE NP	1
6	18039	PIN LOCK 8MM X 40MM PIPE SAFETY PIN	1
7	2001	BOLT 3/8-16 X 1-3/4 HH GR5 ZN	2
8a	1900LCRT	TINE SET ASSEMBLY LS-CRT RS-SRT	1
8b	1900RCRT	TINE SET ASSEMBLY RS CRT LS SRT	1
9	719	WASHER 3/8 IN SPRING LOCK ZINC	2
10	1662	NUT 3/8-16 NYLK GR5 ZN	2
11	20967	TIRE, WHEEL ASSEMBLY (GREY 10 LUG 12 DEEP)	2
12	13601	KNOB M8 BLACK THREE STAR	1
13	53655	WELDMENT DRAG STAKE CRT TILLER DEC 2005	1
14	20109	LOCK PIN 7 MM X 44 MM	2
15	1710	SNAP RING E TYPE 1 IN ID X 0.05 IN	2
16	31314	PULLEY TRANSMISSION SINGLE GROOVE 4 IN	1
17	3245	WASHER M8 8.4MM X 24MM X 2.2MM ZN	1
18	802	BOLT 5/16-24 X 3/4 HH GR5 ZN	1
19	1500CRT7	TRANSMISSION ASSY LOCKPIN CRT SHORT	1
20	19896	WELDMENT HOOD WITH EXTENSION HOLES NP	1
21	19892	WELDMENT SIDE SHIELD NP	2
22	W1265V0913	NUT M6 X 1.0 HNYLK GR8.8 ZN	6
23	20141	WASHER M6 X 12 X 1.6 FLAT ZN	12
24	3364	KEY SQUARE 3/16 X 5/8	1
25	19864	GASKET TILLER TRANSMISSION COVER NP	2
26	W1265V0900	NUT M8 X 1.25 HNYLK GR8.8 ZN	2
27	19945	BOLT M8 X 1.25 X 20 HHFCS GR8.8 ZN	1

ILLUSTRATED PARTS BREAKDOWN 6015 - Transmission Detailed Breakdown



ITEM #	PART #	DESCRIPTION	QTY
1	13222	BOLT M6 X 1.0 X 25 SHCS	6
2	WL14	WASHER 1/4 INCH SPRING LOCK ZINC	6
3	1508	REAR BEARING CAP	1
4	1507	GASKET BEARING CAP FRONT REAR MODEL S-	2
5	*	SHIM 36.2 X 44.65 X 0.20 MM	4
6	1601	BEARING TAPERED INCLUDES CONE AND RACE	2
7	1500CRT606	SHAFT DRIVE CRT SHORT	1
8	1500CRT615T	TRANSMISSION CASE TINE ASSEMBLY (SEE DETAILED BREAKDOWN)	1
9	*	WELDMENT PIPE LONG REAR TINE TRANNY	1
10	1500CRT615W	TRANSMISSION CASE WHEEL ASSEMBLY (SEE DETAILED BREAKDOWN)	1
11	1514	FRONT END CAP	1
12	1515	SEAL, 0.75" SHAFT 1.25" BORE	1
* ORDER TRANSMISSION ASSEMBLY 1500CRT7			

ILLUSTRATED PARTS BREAKDOWN - 6015 Transmission Detailed Breakdown



13594-0022R1

ITEM #	PART #	DESCRIPTION	QTY
1	1506	SEAL 1 INCH SHAFT 1.50 INCH BORE	4
2	1810	SNAP RING 1 INCH PHOSPHATE EXTERNAL	4
3	*	SHIM 25.6 X 31.5 X 0.8 MM	8
4	*	SHIM 25.6 X 38.1 X 2.0 MM	4
5	*	BUSHING 25.4 X 32.047 X 36.678 MM	4
6	*	SHIM 25.6 X 31.5 X 1.5 MM	4
7	1500P113	KEY WOODRUFF 5X9X22	4
8	1500P117	GEAR BRONZE 1 IN ID 61T 14.5 PA TWO KEYS	1
9	*	SET SCREW M6 X 1.0 X 8.5 SDP GR8.8 BLK OX	4
10	*	SHAFT PIN STYLE LONG WHEEL DOUBLE KEY	1
11	*	CASTING REAR TINE TRANNY HOUSING EIGHT HOLE FLANGE	2
12	1500CRT512	GEAR TINE CRT 1 IN ID 30T 14.5 PA 2 KEYS	1
13	*	SHAFT PIN STYLE TINES DOUBLE KEY	1
* ORDER TRANSMISSION ASSEMBLY 1500CRT7			