

# **PARTNER**

ConstructionParts.com



888-634-4289

**IPL, K950 Chain, 2006-08, 544 10 26-02**

ConstructionParts.com

***K950 Chain***

***Reservdelar***

***Spare parts***

***Ersatzteile***

***Pieces de rechange***

***Piezas de repuesto***

***Ricambi***

***Peças  
sobresselente***

ConstructionParts.com

888-634-4289

544 10 26-02

---

# **PARTNER®**

No.	Pos.	Description	No.	Pos.	Description
501 22 03-01	M	PLUG	506 15 56-02	D	PISTON
501 22 04-01	M	BALL	506 15 82-01	D	GASKET
501 22 05-01	M	SPRING	506 16 91-01	D	CONDUCTOR
501 22 12-01	M	FUEL PUMP DIAPHRAGM	506 21 68-12	F	TANK UNIT
501 22 13-01	M	GASKET, PUMP SIDE	506 22 16-13	K	CYLINDER COVER
501 22 15-01	M	SCREW	506 22 17-01	K	COVER
501 22 20-01	M	LEVER	506 22 18-12	K	BASE
501 22 21-01	M	SHAFT	506 22 19-01	L	PIPE
501 22 25-01	M	SPRING	506 22 22-02	H	AIR CONDUCTOR
501 48 52-01	M	SCREW	506 22 27-01	F	THROTTLE TRIGGER
501 48 54-02	J	SPARK PLUG CONN. KIT	506 22 28-01	F	THROTTLE LOCK
501 63 48-01	J	SPRING	506 22 29-01	F	SPRING
501 67 32-03	J	PAWL	506 22 31-01	L	ROD
501 69 17-02	N	COMB.TOOL	506 22 39-01	L	FLANGE
501 76 83-05	F	HOSE	506 22 94-01	K	JET
501 76 83-31	F	HOSE	506 23 12-01	L	GUIDE
501 81 99-01	J	SCREW	506 23 19-01	K	FILTER
501 82 18-01	M	RETAINING RING	506 23 20-11	L	CHOKO CONTROL
501 83 98-01	J	SHORTING LEAD	506 23 24-01	C	GASKET
502 21 58-01	N	ALLEN KEY	506 23 59-07	H	STARTER DEVICE
502 41 22-01	G	CLIP	506 23 61-01	F	TANK VENT.
503 12 79-02	H	STARTER HANDLE	506 23 75-01	F	SPRING
503 14 51-01	B	CLUTCH SPRING	506 24 39-01	K	DECAL
503 20 00-01	G	SCREW	506 25 14-01	H	WASHER
503 20 00-03	B	SCREW	506 25 30-01	H	SPRING
503 20 02-16	DFKL	SCREW	506 25 59-32	F	TANK CAP
503 20 02-30	K	SCREW	506 25 64-02	M	INSERT
503 20 02-55	L	SCREW	506 25 81-02	H	STARTER PULLEY
503 20 02-70	B	SCREW	506 25 84-01	M	GASKET
503 20 25-20	J	SCREW	506 25 85-01	M	DIAPHRAGM
503 20 34-42	K	SCREW	506 25 88-01	M	GASKET SET
503 20 59-20	H	SCREW	506 25 89-01	H	RETURN SPRING
503 21 05-22	FG	SCREW	506 26 31-01	H	SLEEVE
503 21 05-25	G	SCREW	506 26 41-01	F	FILTER
503 21 27-10	G	SCREW	506 26 41-11	F	FILTER
503 21 28-06	J	SCREW	506 27 11-01	F	PENDULUM
503 21 28-10	H	SCREW	506 27 14-01	M	SCREW
503 21 49-25	G	SCREW	506 27 23-01	H	DECAL
503 21 67-22	H	SCREW	506 27 24-01	K	DECAL
503 22 10-11	J	NUT	506 27 25-01	L	PROTECTOR
503 22 21-02	C	LOCK NUT	506 27 27-01	J	FLYWHEEL
503 23 00-42	J	WASHER	506 27 31-01	C	BUFFER
503 23 01-01	J	WASHER	506 27 63-01	M	REPAIR KIT
503 23 04-02	D	WASHER	506 27 84-42	K	DECAL
503 23 51-08	J	SPARK PLUG	506 27 84-61	K	DECAL
503 25 00-02	CE	BALL BEARING	506 27 84-63	K	DECAL
503 25 53-01	B	NEEDLE BEARING	506 28 39-30	K	SEALING
503 25 61-01	DE	NEEDLE BEARING	506 28 53-01	G	SPRING
503 26 02-05	C	SEALING RING	506 28 63-01	M	SPRING
503 26 30-21	G	O-RING	506 28 68-01	M	COVER
503 26 60-01	G	FEMALE QUICK COUPLER	506 28 75-02	B	RETAINING RING
503 28 04-02	LM	CARBURETOR	506 28 76-01	B	RETAINING RING
503 28 90-24	D	PISTON RING	506 28 95-01	F	NIPPLE
503 40 06-07	L	HOSE	506 29 05-03	N	GASKET SET
503 45 46-01	F	CONNECTION	506 29 09-01	M	THROTTLE SHAFT(KIT)
503 46 85-01	F	ANTIVIBE ELEMENT	506 29 10-01	M	SEALING, KIT
503 53 36-01	M	COVER	506 29 11-01	M	CHOKO SHAFT (KIT)
503 53 39-01	M	NIPPLE	506 29 13-01	M	JET (KIT)
503 56 00-02	L	CLAMP	506 29 21-01	F	GASKET
503 57 76-02	F	HOSE	506 29 57-01	G	NIPPLE
503 57 86-01	M	BALL	506 29 88-01	G	SCREEN
503 57 87-01	M	SCREW	506 31 86-01	J	STOP SWITCH
503 57 89-01	F	HOLDER	506 32 21-01	K	DECAL
503 66 56-01	D	VALVE	506 32 76-01	C	BOLT CPL
503 67 80-01	G	SLEEVE	506 32 89-51	G	WET CUTTING KIT
503 98 82-01	M	SCREEN	506 32 95-03	B	BRACKET
505 27 75-16	J	INSULATING CAP	506 32 96-01	G	HANDLE
505 31 65-50	M	INLET NEEDLE	506 33 23-01	B	PIPE
506 09 56-02	G	CLAMP	506 33 24-01	G	PROTECTOR
506 09 56-04	G	CLAMP	506 33 25-03	A	CLUTH COVER
506 13 35-01	L	BRACKET	506 33 28-01	A	WASHER
506 15 55-06	D	CYLINDER CPL.	506 33 29-01	C	RING

No.	Pos.	Description	No.	Pos.	Description
506 33 32-01	A	PLATE			
506 33 33-01	A	PAWL			
506 33 34-01	A	COVER			
506 33 35-01	A	COVER			
506 33 38-01	B	CLUTCH CPL			
506 33 42-01	B	RIM SPROCKET			
506 33 44-01	B	SUPPORT CUP			
506 33 45-01	G	PLATE			
506 33 46-01	G	SPLASH GUARD			
506 33 47-02	C	CRANKCASE			
506 33 56-15	H	STARTER ROPE			
506 33 72-02	H	STARTER DEVICE			
506 33 91-71	E	CRANKSHAFT			
506 34 04-01	G	PROTECTOR			
506 34 09-11	B	WHEEL CPL			
506 34 10-12	A	LEVER CPL.			
506 34 62-14	P	BAR			
506 34 70-01	K	AIR FILTER			
506 34 72-01	A	ARM			
506 35 25-01	G	HOSE			
506 35 44-01	B	PROTECTOR			
506 35 46-01	A	DECAL			
506 35 94-03	A	SCREW CPL			
506 36 52-01	L	KNUCKLE			
506 37 28-02	D	MUFFLER			
506 37 81-01	D	GASKET MUFFLER			
506 38 77-01	A	SCREW			
506 38 78-34	J	CABLE			
506 39 88-01	A	NUT			
506 39 96-01	B	GUARD			
506 40 13-01	B	BUSHING			
544 01 88-01	J	IGNITION MODULE			
544 05 77-01	A	GUIDE PIN			
544 38 31-01	F	SPRING			
720 12 40-20	F	PIN			
720 13 07-10	BC	PIN			
723 53 27-51	A	SCREW			
725 53 40-55	C	SCREW			
725 53 72-55	D	SCREW			
725 54 50-01	C	SCREW			
725 64 53-01	B	SCREW			
737 44 13-00	D	CLIP			
740 42 03-00	A	O-RING			
740 43 13-00	H	O-RING			
740 44 07-00	B	O-RING			
740 48 18-02	A	O-RING			
740 48 20-03	K	O-RING			

888-634-4289

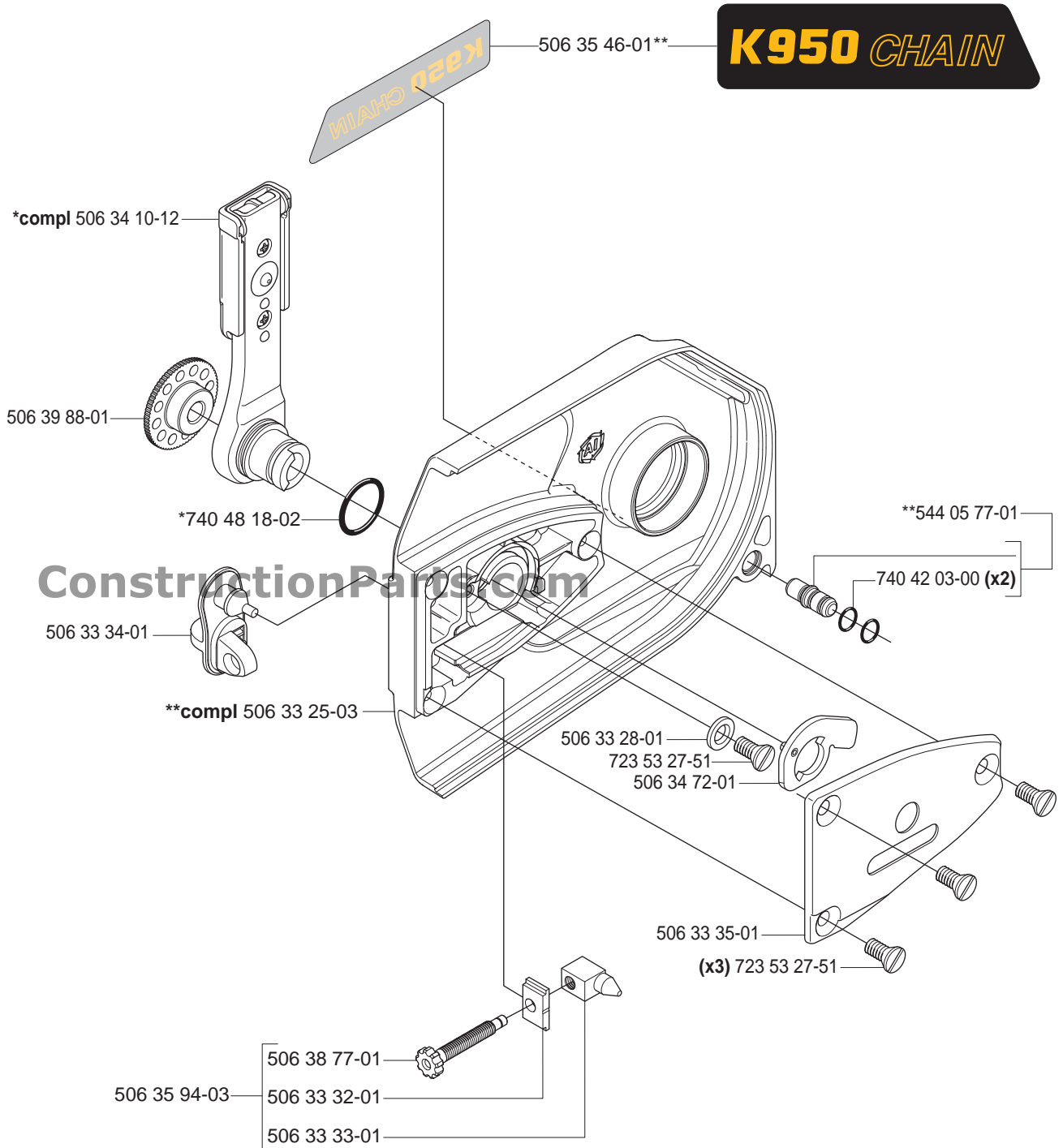
ConstructionParts.com

888-634-4289

**A**

ConstructionParts.com

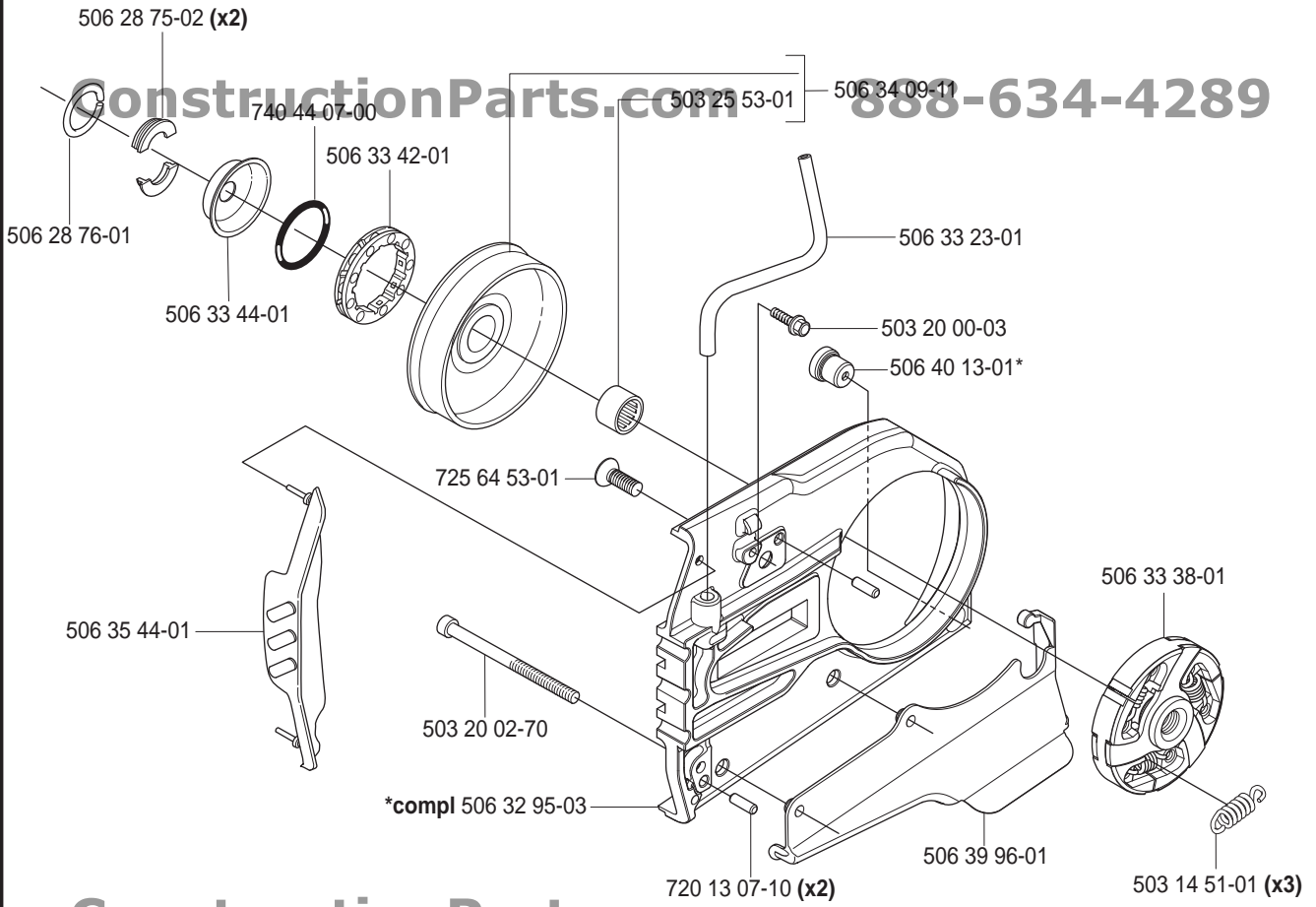
888-634-4289



ConstructionParts.com

888-634-4289

# B

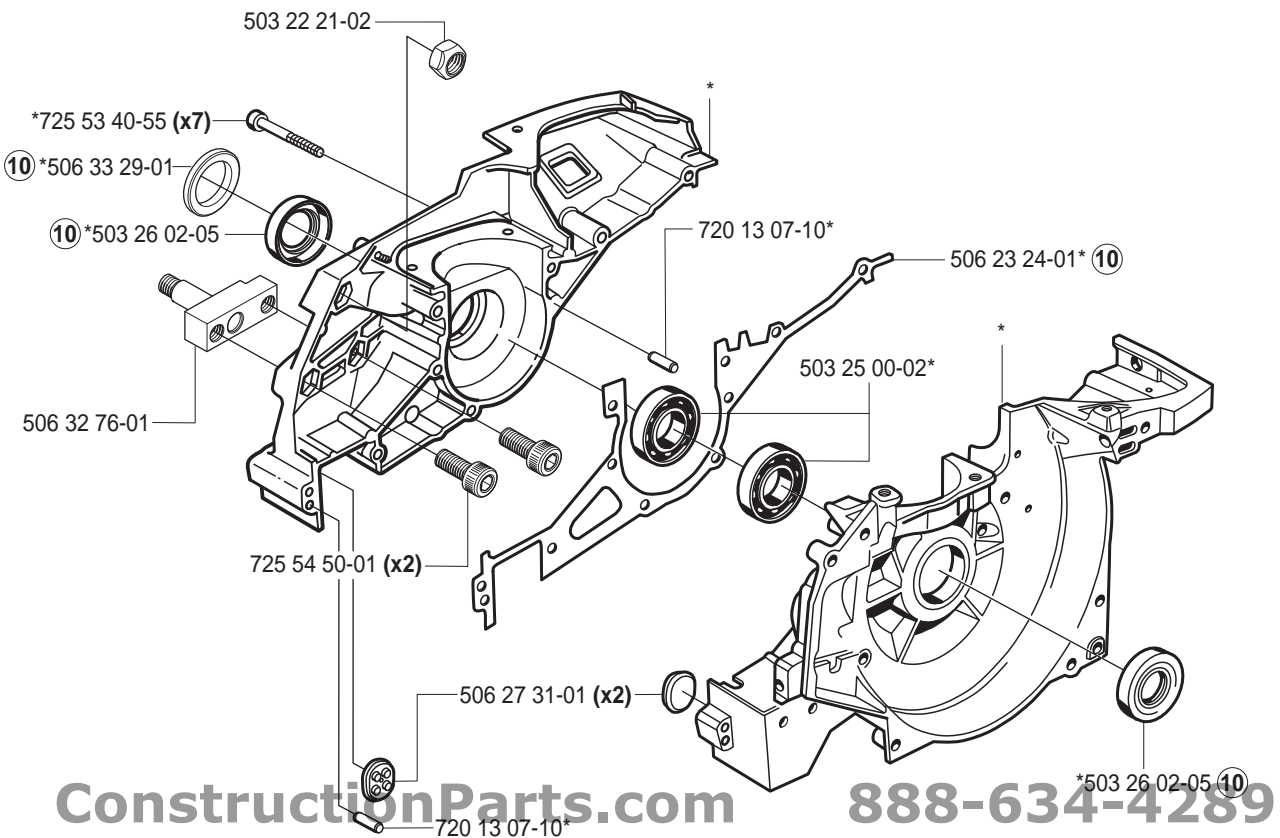


ConstructionParts.com

888-634-4289

# C

**Crankcase**  
\*compl 506 33 47-02



ConstructionParts.com

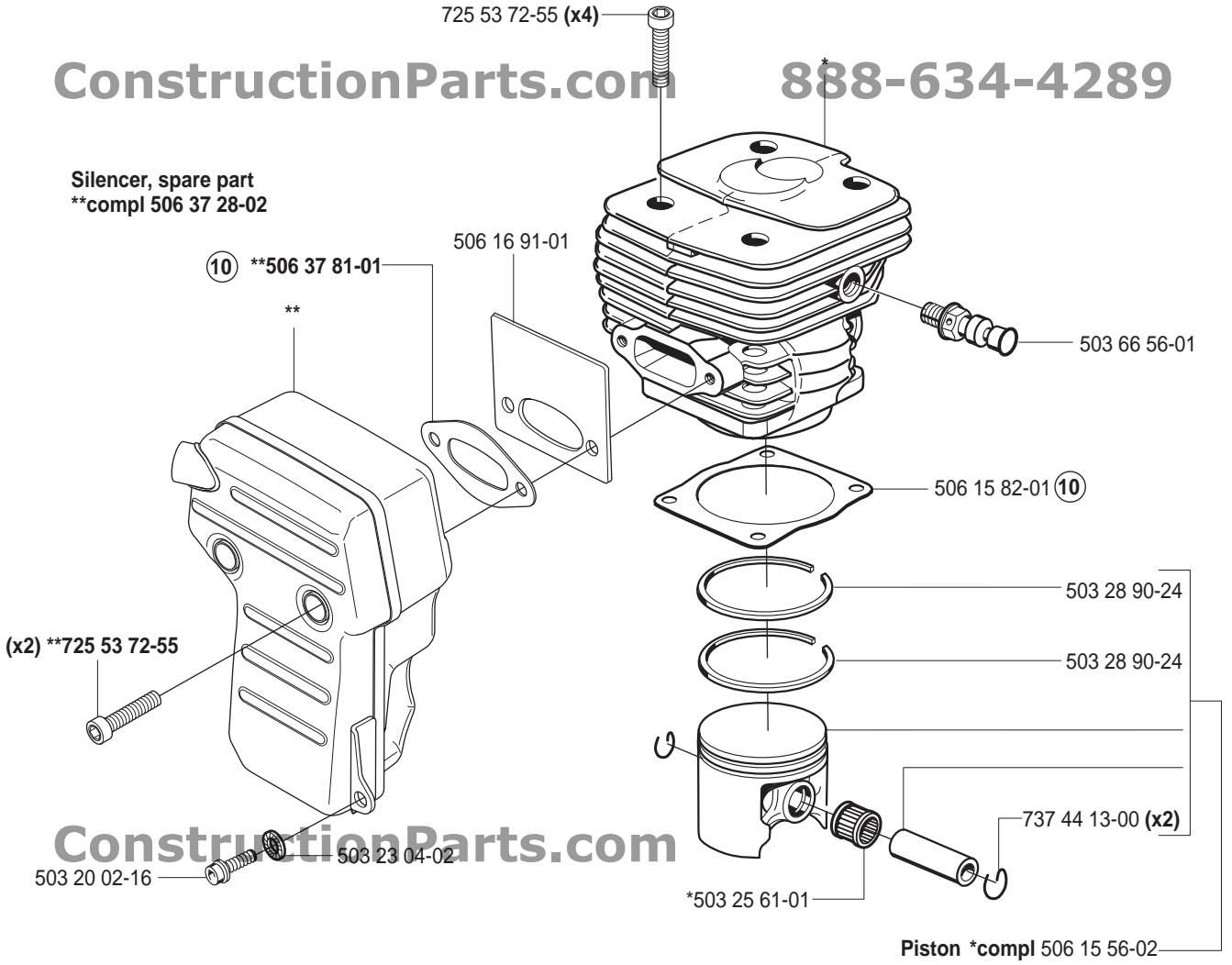
888-634-4289

**D** Cylinder and piston  
 \*compl 506 15 55-06

ConstructionParts.com

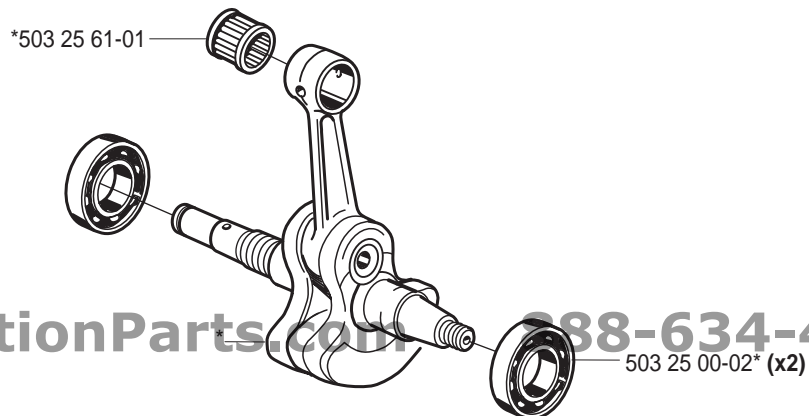
888-634-4289

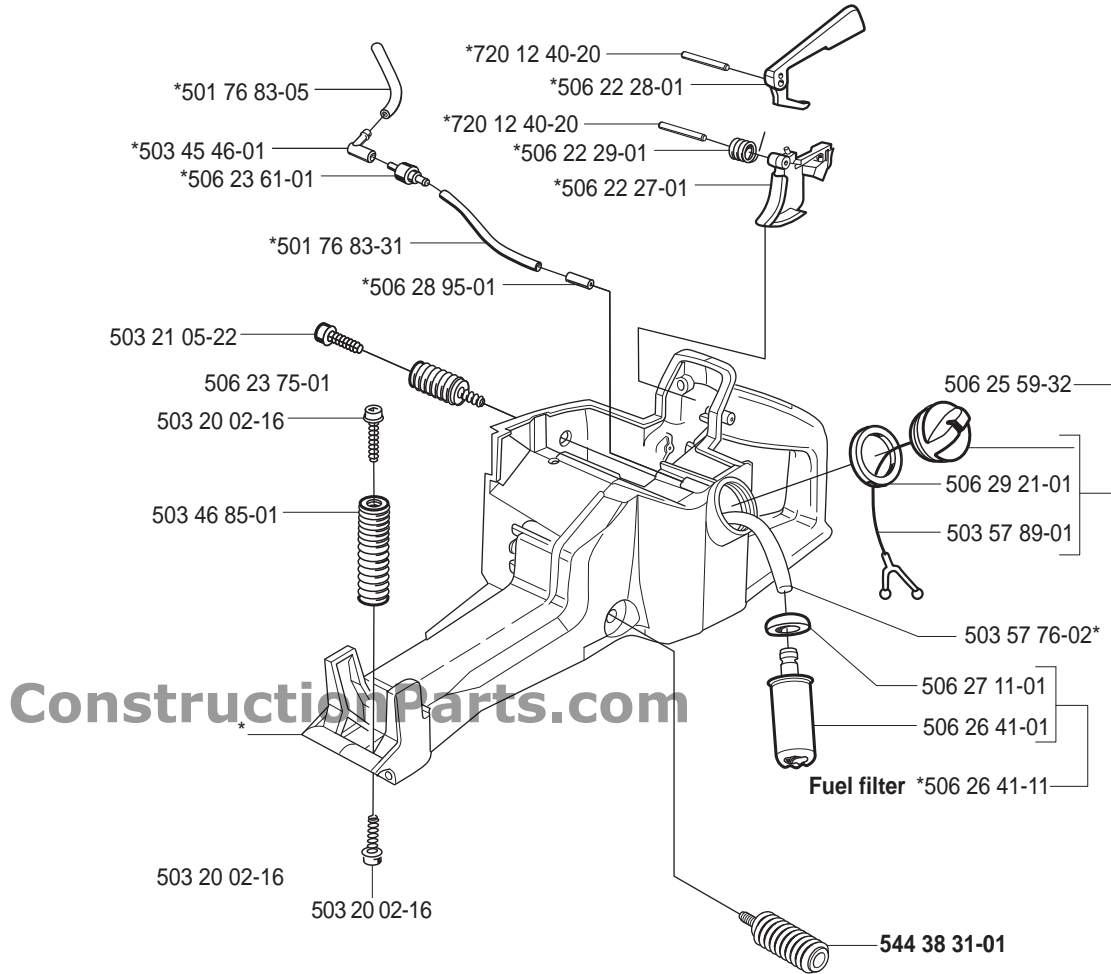
Silencer, spare part  
 \*\*compl 506 37 28-02



**E**

\*compl 506 33 91-71



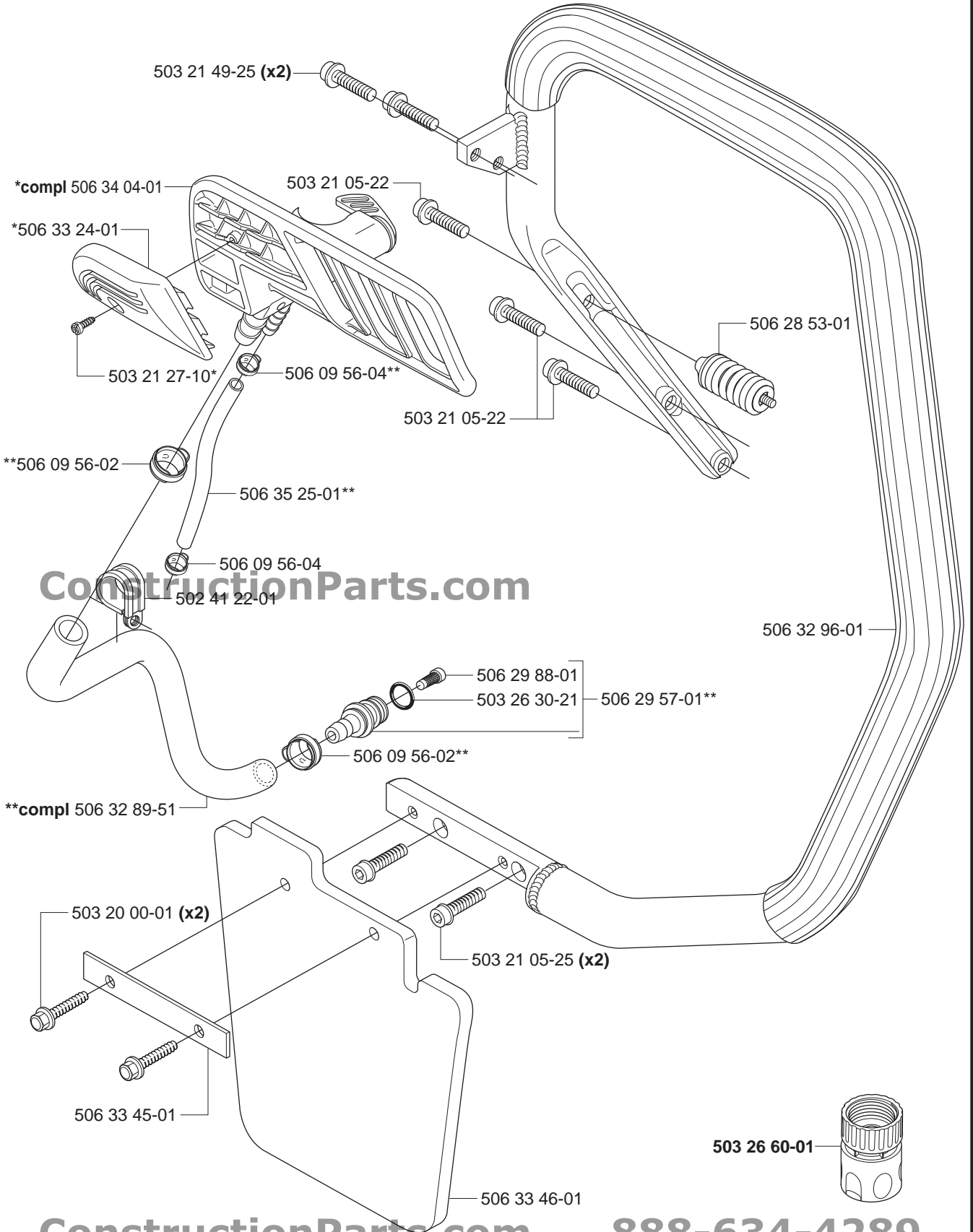


ConstructionParts.com

**G**

**ConstructionParts.com**

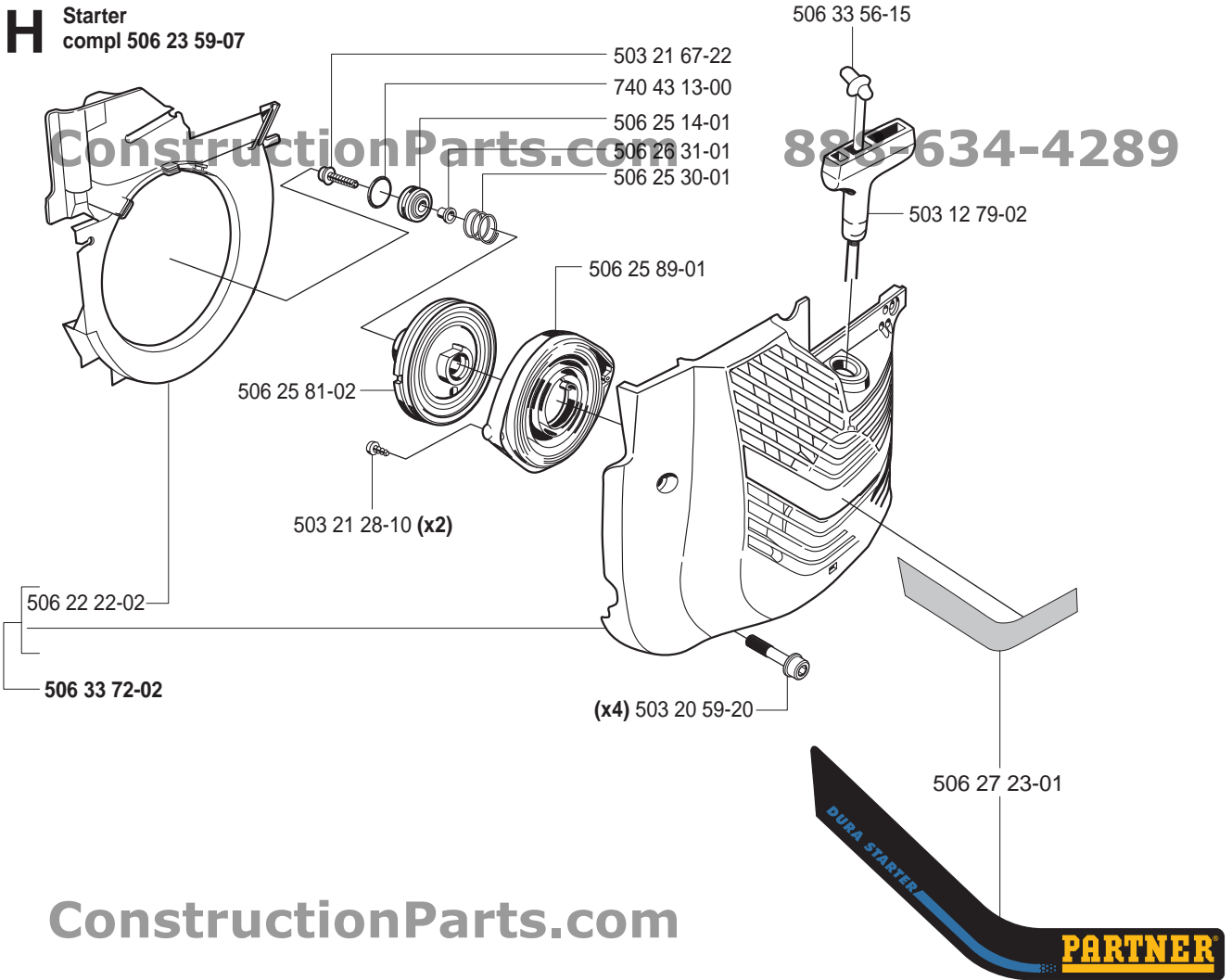
**888-634-4289**



**ConstructionParts.com**

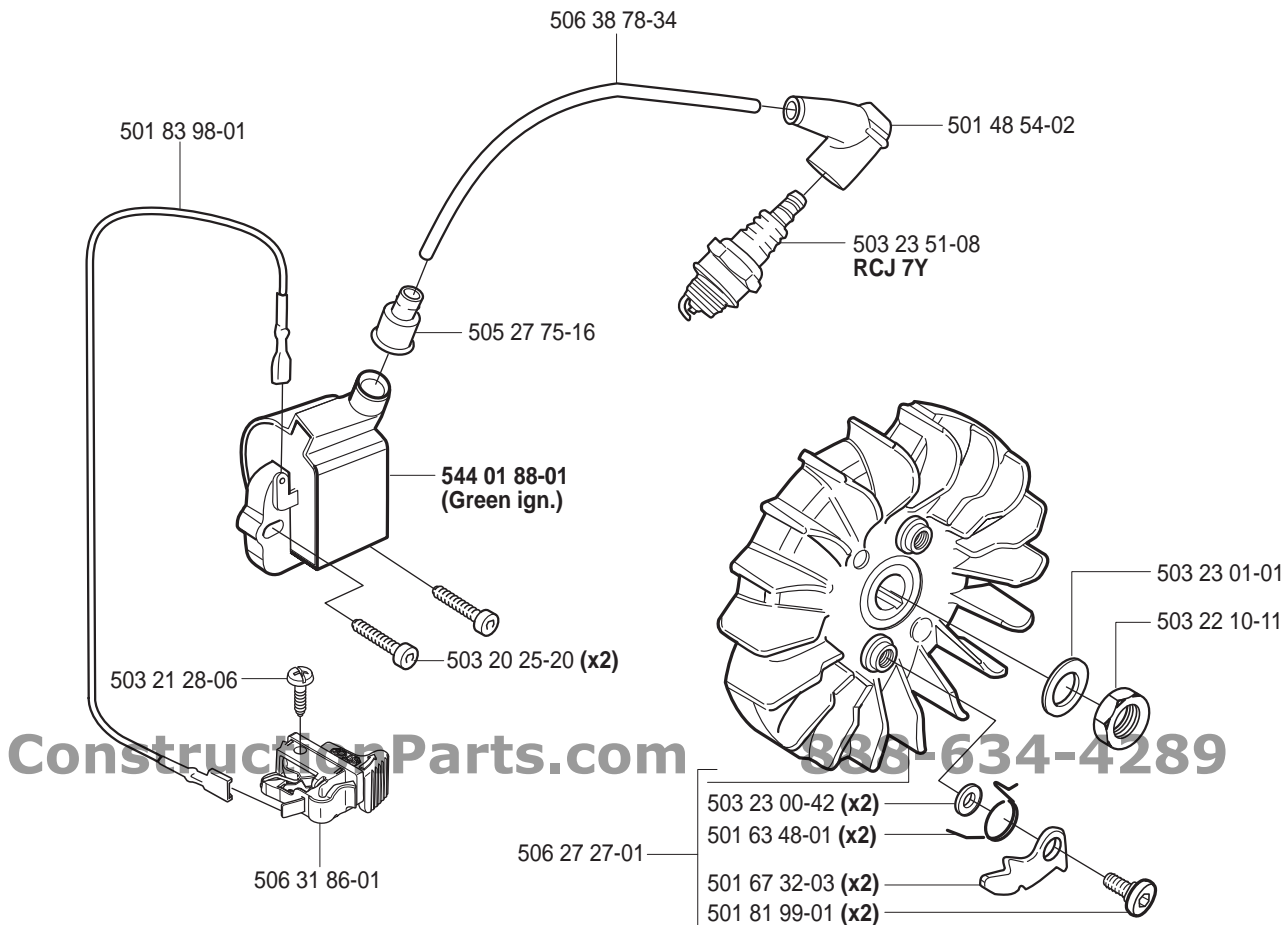
**888-634-4289**

**H** Starter  
compl 506 23 59-07



ConstructionParts.com

**J**



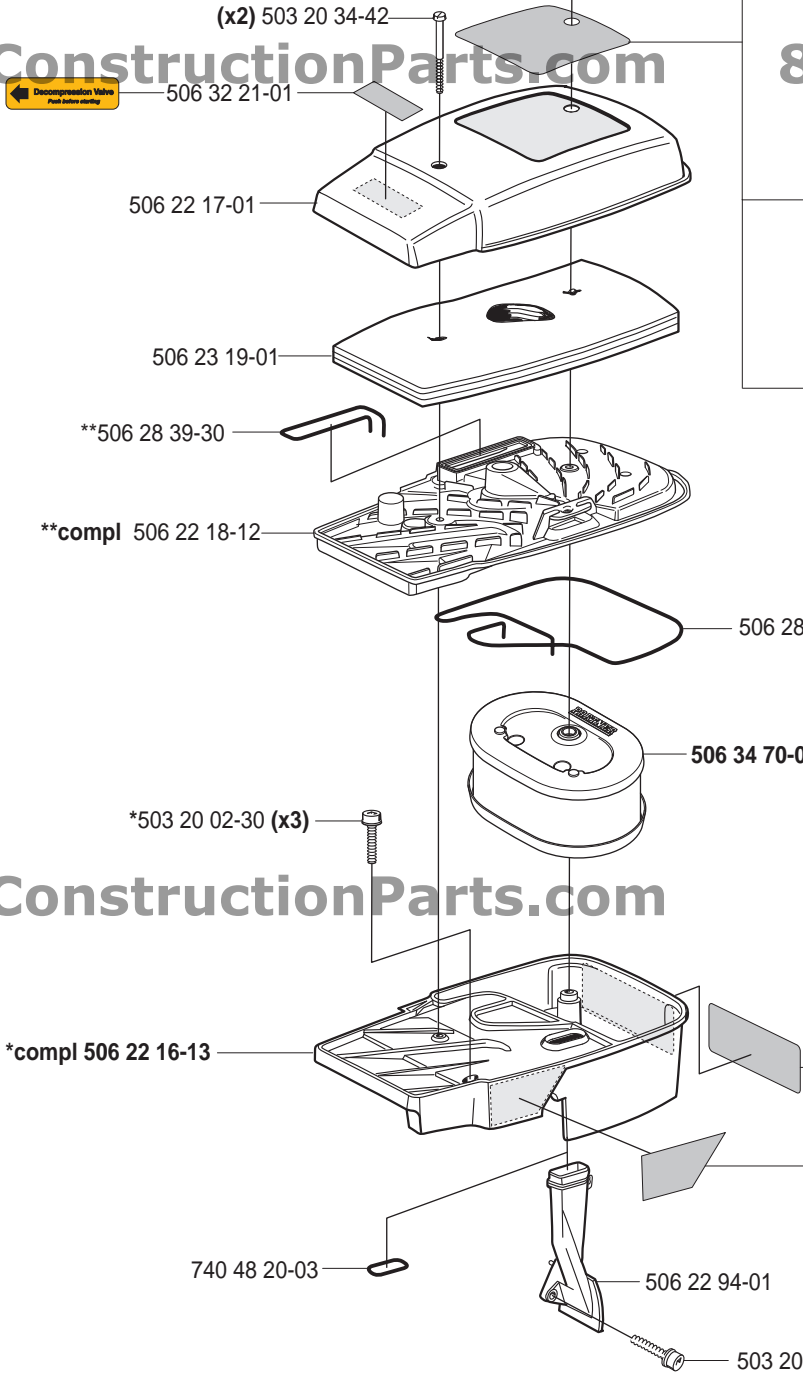
ConstructionParts.com

888-634-4289

**K**

ConstructionParts.com

888-634-4289



506 27 84-42  
CE



506 27 84-61  
EPA USA



506 27 84-63  
EPA Canada

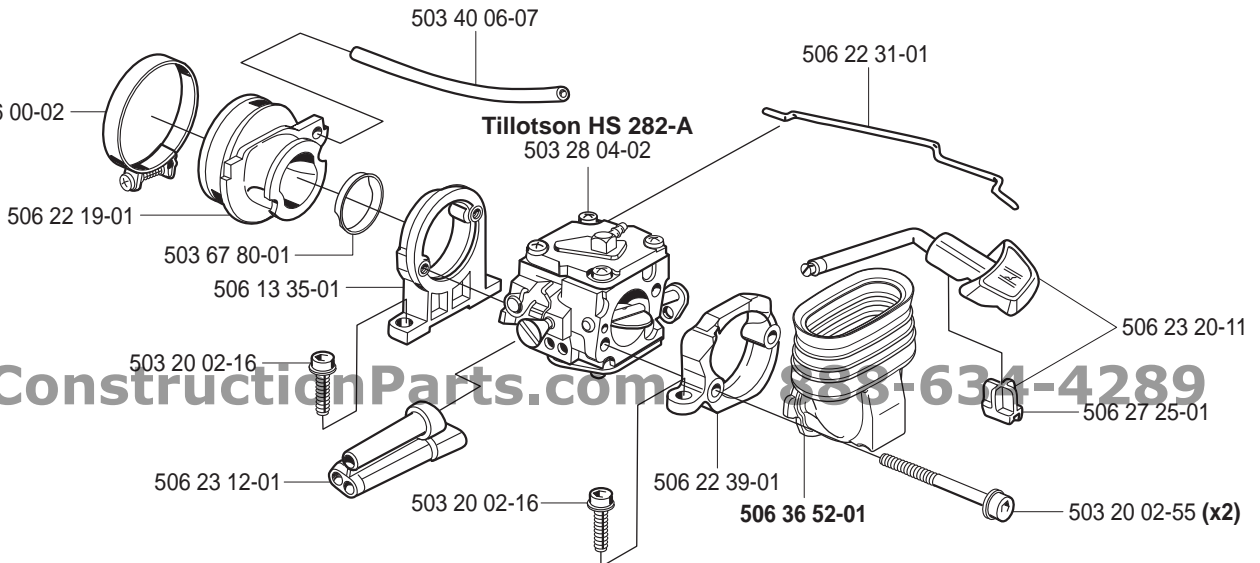
ConstructionParts.com



**L**

ConstructionParts.com

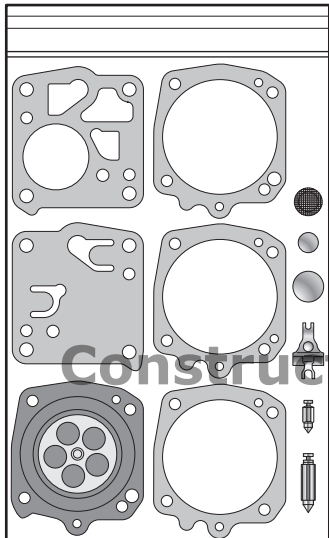
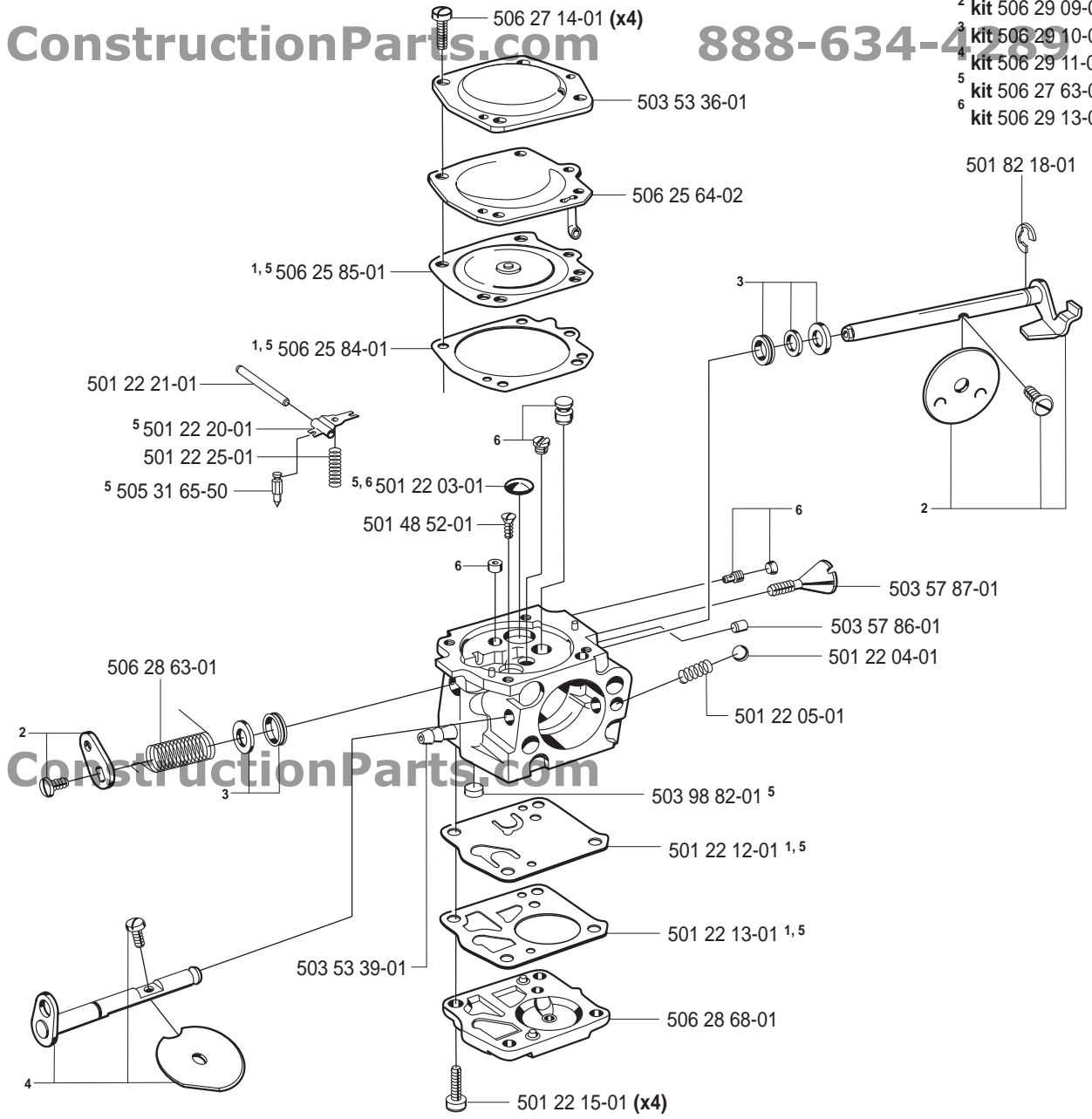
888-634-4289



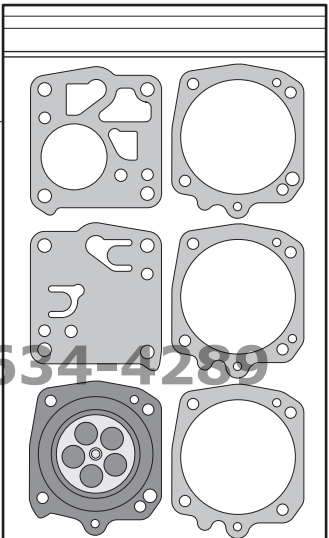
ConstructionParts.com

888-634-4289

- 1 kit 506 25 88-01
- 2 kit 506 29 09-01
- 3 kit 506 29 10-01
- 4 kit 506 29 11-01
- 5 kit 506 27 63-01
- 6 kit 506 29 13-01



Diaphragm and gasket set DG-10-HS



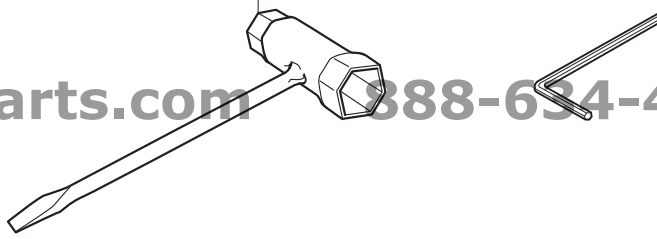
ConstructionParts.com

888-634-4289

**N** Accessories  
Zubehöre  
Accessoires  
Acessorios  
Tillbehör

501 69 17-02 (13-19mm)

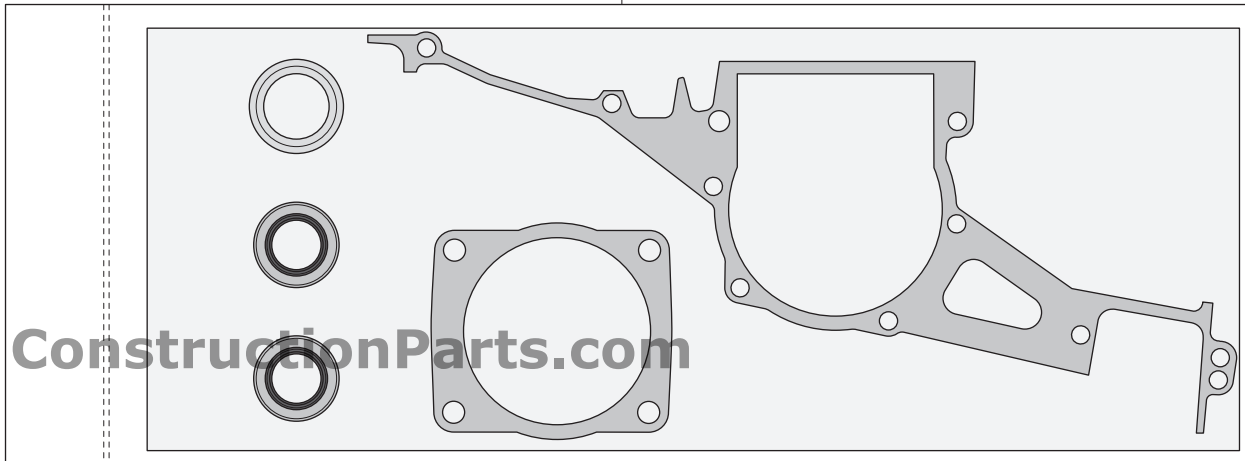
502 21 58-01 (4mm)



ConstructionParts.com 888-634-4289

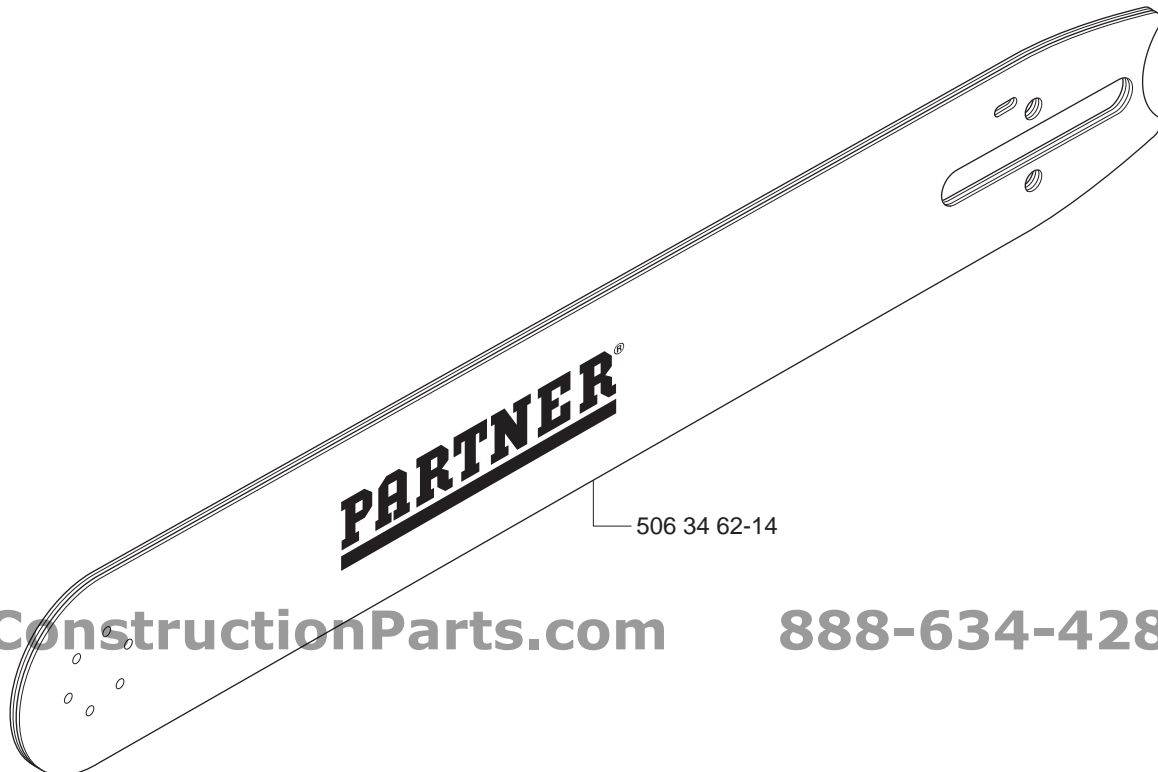
506 29 05-03 (10)

Set of gaskets  
Dichtungssatz  
Jeu de joints  
Juego de juntas  
Packningssats



ConstructionParts.com

**P**



506 34 62-14

ConstructionParts.com 888-634-4289