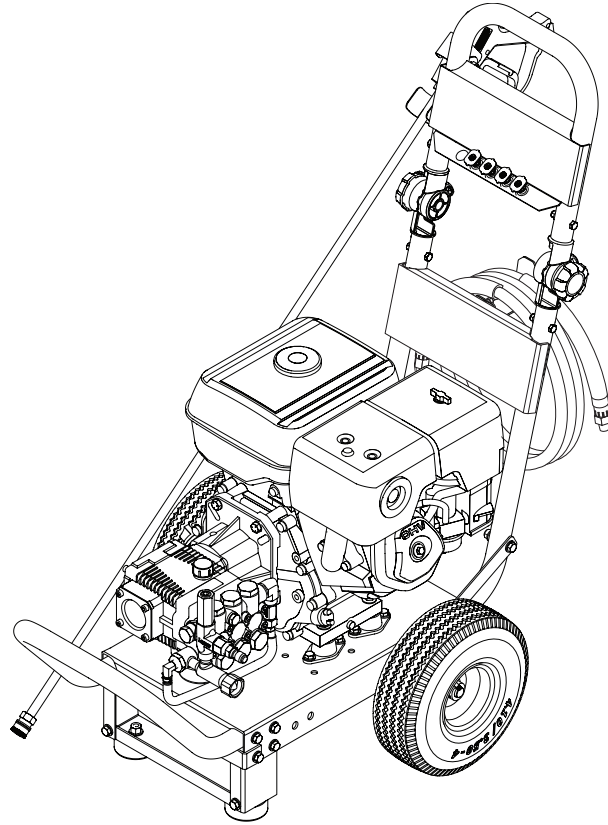
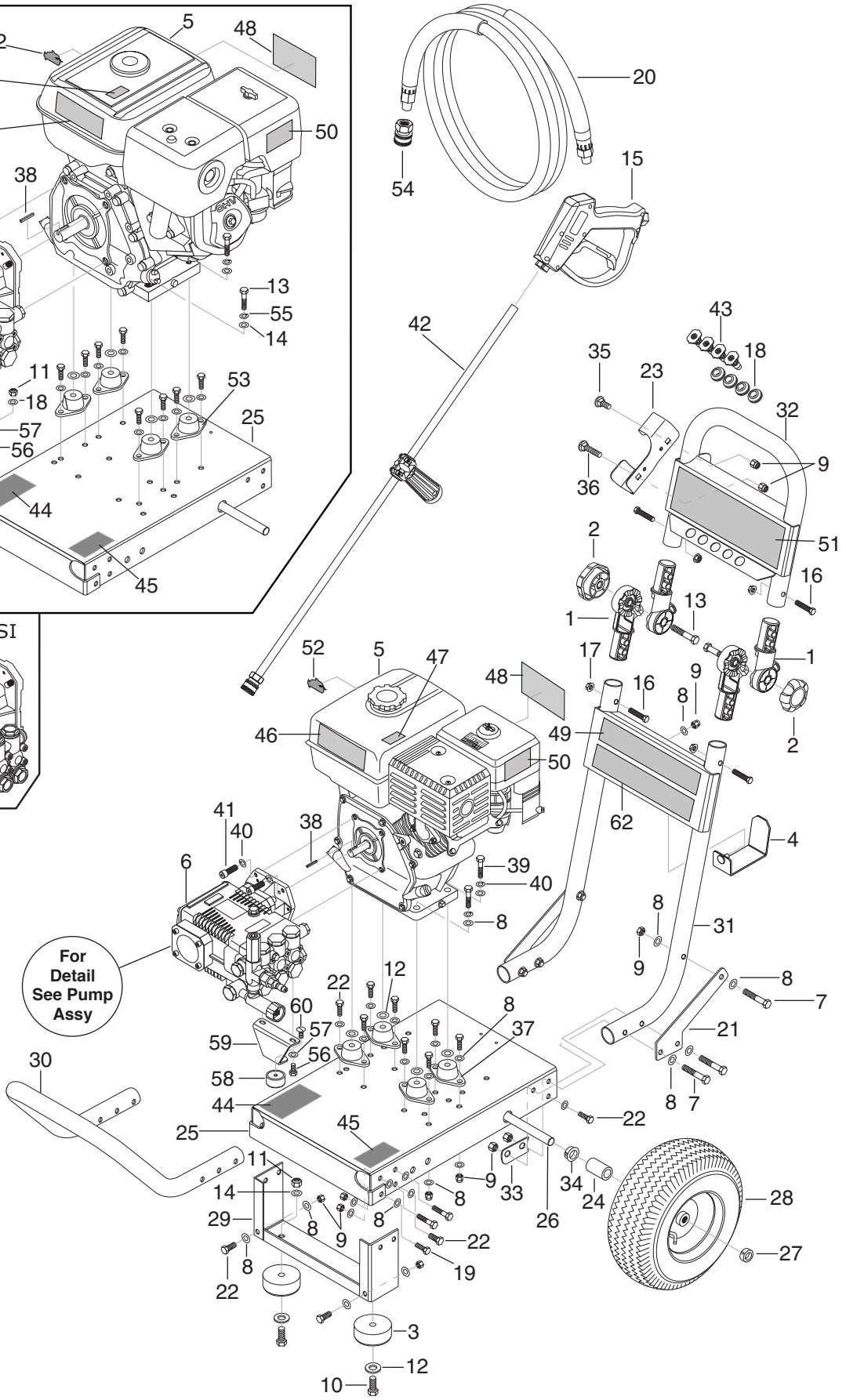
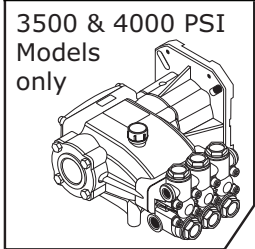
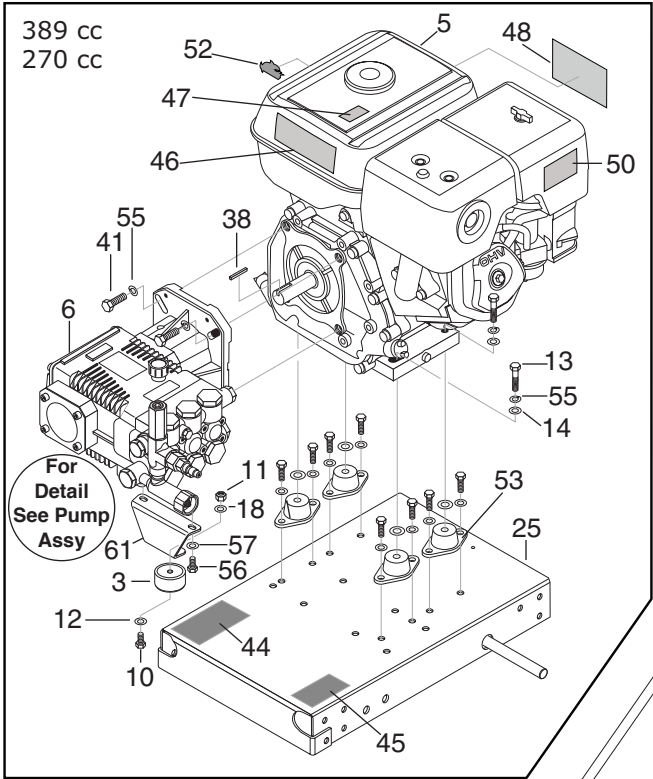


SERVICE MANUAL



<u>MODEL #</u>	<u>ORDER #</u>
DGA-252737	1.107-247.0
DGA-303037	1.107-248.0
DGA-383537	1.107-249.0
DGA-350437	1.107-250.0

EXPLODED VIEW



For Detail See Pump Assy

EXPLODED VIEW PARTS LIST

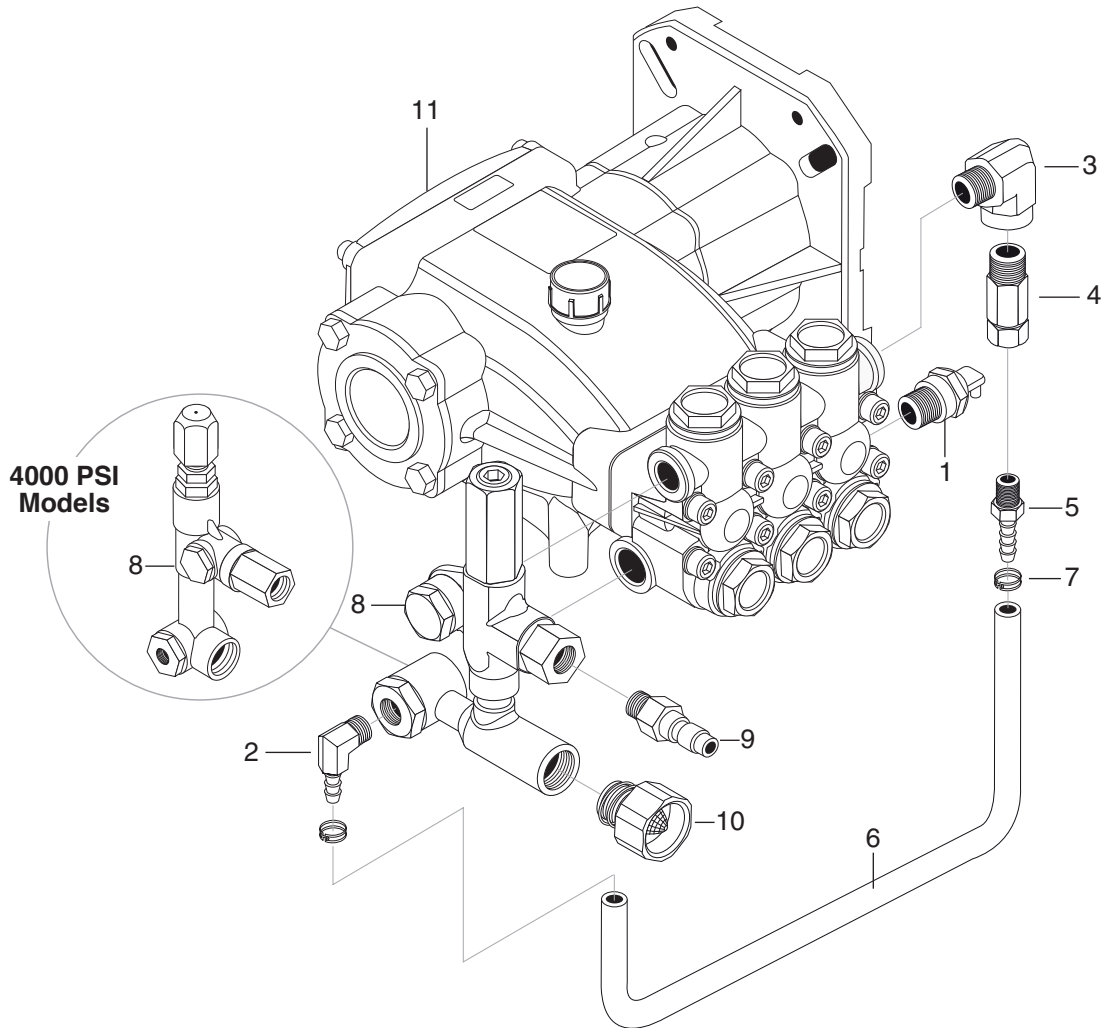
ITEM	PART NO.	DESCRIPTION	QTY
1	9.135-007.0	Rotary Tube-Joint	4
2	9.136-502.0	Knob	2
3	9.802-066.0	Pad Soft Rubber (270 cc, 389 cc)	3
		Pad Soft Rubber (196 cc)	2
4	8.919-796.0	Hose Hanger Al Frames	1
5	8.750-580.0	Engine, Honda GX390UT2QA2 (389 cc)	1
	8.750-680.0	Engine, Honda GX270UT2QAG2 (270 cc)	1
	9.802-317.0	Engine, Honda GX200UTQX2 (196 cc)	1
6		Pump Assy 4000 PSI (See S3540G.3 Specifications Pages)	1
		Pump Assy 3500 PSI (See S4040G.3 Specifications Pages)	1
		Pump Assy 3000 PSI (See P3035G Specifications Pages)	1
		Pump Assy 2700 PSI (See G2530G Specifications Pages)	1
7	9.802-716.0	Bolt, 5/16" x 2", NC HH	10
8	8.718-980.0	Washer, 5/16", FLAT, SAE(780452) (389 cc, 270 cc)	49
		(196 cc)	53
9	9.802-776.0	Nylon Insert Nut 5/16"	29
10	9.802-720.0	Bolt, 3/8" x 1", NC HH(612984) (389 cc, 270 cc)	3
		(196 cc)	2
11	9.197-003.0	3/8-16 NE Nylon Insert L/N ZC 5UM White (389 cc, 270 cc)	3
		(196 cc)	2
12	9.802-817.0	Flat Washer (389 cc, 270 cc)	7
		(196 cc)	6
13	9.196-041.0	Hex Head Bolt 3/8-16 x 1-3/4" (389 cc, 270 cc)	6
		(196 cc)	2
14	9.198-004.0	3/8 USS F/W Zinc (389 cc, 270 cc)	7
		(196 cc)	2
15	8.750-247.0	Trigger Gun Model M407	1
16	9.196-307.0	1/4-20 x 1-1/2" GR 2 Hex Bolt Zinc	4
17	9.197-010.0	1/4-20" Nylon Insert Lock Nut with Flange	4
18	9.802-064.0	Grommet, Rubber, Nozzle Holder	4
19	9.802-710.0	Screw 5/16" x 1" NC	2
20	8.925-130.0	▲ HOSE, 3/8" X 50' 1W 4000PSI SW/SO/CPL	1
21	8.921-257.0	Handle Stiffener AL	2
22	8.718-618.0	Bolt, 5/16" x 3/4" NC GR 5 CS ZN(61294)	14
23	8.918-437.0	Holder Wand Left Silver	1
24	8.918-079.0	Axle Spacer Silver Aluminum Direct Frame	2
25	8.921-255.0	Aluminum Base Direct Drive	1
26	9.803-097.0	Axle, 5/8" x 20.125" Long	1
27	9.802-782.0	Collar, 5/8" Bore Shaft 3010	2
28	8.754-186.0	Qh Wheel Assy, 10" Gray Steel Rim W/Tube	2
29	8.921-256.0	Foot AL Direct Frame	1
30	8.919-712.0	Aluminum Front Bumper Direct Drive	1
31	8.917-978.0	Handle Support Assy AL Direct Drive	1
32	8.917-976.0	Handle Assy AL Direct Drive	1
33	9.803-114.0	Retainer Bracket, Handle, Black	2
34	9.802-103.0	Bush 5/8" ID, 7/8 OD SB-875-10	2
35	8.718-625.0	Bolt, 5/16"-18 x 3/4", Nc Carriage znc 6159	1
36	9.802-712.0	Bolt, 5/16"-18 x 1-3/4", Nc Carriage z	1
37	9.803-308.0	Mount, Rubber Vibration 5/16", 70 Duro (196 cc)	4

EXPLODED VIEW PARTS LIST (CONT)

ITEM	PART NO.	DESCRIPTION	QTY
38	9.802-959.0	Key, 0.247 SQR x 2.125" (270 cc, 389 cc)	1
	9.802-958.0	Key, 0.185 SQR x 1.750" (196 cc)	1
39	9.802-713.0	Bolt, 5/16" x 1-1/2", NC HH(612975)	4
40	9.802-813.0	Washer, 5/16 Lock Split Ring (51156560) (196 cc)	8
41	8.733-007.0	Socket Head 5/16-24 X 3/4 Zinc Plated (196 cc)	4
	9.802-722.0	Bolt, 3/8 x 1 1/4", NC HH (270 cc, 389 cc)	4
42	8.783-040.0	Wand 44" Zinc Plated, Handle & Coupler (270 cc, 389 cc)	1
	8.783-039.0	Wand 30" Zinc Plated, Handle & Coupler (196 cc)	1
43		Quick Connect Nozzle Kit (389 cc, Exept 3.5GPM@4000PSI Models)	1
	8.708-531.0	▲ Nozzle, QC, 1/4", #4.0 x 0, Red, Legacy	
	8.708-532.0	▲ Nozzle, QC, 1/4", #4.0 x 15, Yellow, Legacy	
	8.708-533.0	▲ Nozzle, QC, 1/4", #4.0 x 24, Green, Legacy	
	8.708-534.0	▲ Nozzle, QC, 1/4", #4.0 x 40, White, Legacy	
		Quick Connect Nozzle Kit (270 cc & 389cc 3.5GPM@4000PSI Models)	1
	8.723-577.0	▲ Nozzle, QC, 1/4", #3.5 x 0, Red, Legacy	
	8.726-104.0	▲ Nozzle, QC, 1/4", #3.5 x 15, Yellow, Legacy	
	8.708-526.0	▲ Nozzle, QC, 1/4", #3.5 x 25, Green, Legacy	
	8.902-487.0	▲ Nozzle, QC, 1/4", #3.5 x 40, White, Legacy	
43		Quick Connect Nozzle Kit (196 cc)	1
	8.723-576.0	▲ Nozzle, QC, 1/4", #3.0 x 0, Red, Legacy	
	8.902-482.0	▲ Nozzle, QC, 1/4", #3.0 x 15, Yellow, Legacy	
	8.902-484.0	▲ Nozzle, QC, 1/4", #3.0 x 25, Green, Legacy	
	8.902-485.0	▲ Nozzle, QC, 1/4", #3.0 x 40, White, Legacy	
44	8.930-124.0	Label, Intended For Outdoor Use - Mexico	1
45	8.783-038.0	Label, Universal DB Rating, Ear Protection	1
46	9.800-008.0	Label, Danger Cool Engine	1
47	9.800-006.0	Label, Hot/Caliente w/arrows	1
48	8.783-034.0	Label, Quick Start Guide	1
49	8.783-036.0	Label, Warning Pictogram	1
50	8.751-096.0	Label, Regulation 4442.6	1
51	8.750-284.0	Label, Name Plate (HD Models)	1
	8.750-285.0	Label, Name Plate (PCA Models)	1
	8.750-286.0	Label, Name Plate (DBA Models)	1
	8.750-714.0	Label, Name Plate (DGA Models ,Except below models)	1
	8.753-774.0	Label, Name Plate (247.0, 248.0, 249.0, & 250.0 DGA Models Only)	1
52	9.138-438.0	Label, Die - Cut (DGA models)	1
53	8.932-992.0	Mount, Rubber Vibration 3/8" (270 cc, 389 cc)	4
54	9.802-166.0	Coupler, 3/8"Socket, Female, Brass	1
55	9.802-814.0	Washer, 3/8" Split Ring Lock, Zinc (270 cc, 389 cc)	8
56	9.802-744.0	Bolt, 10mm x 20mm, HH Zinc (389 cc)	2
	9.802-741.0	Bolt, 8mm x 16 mm Hex Head (270 cc, 196 cc)	2
57	9.802-816.0	Washer, 7/16", Split Ring Lock, 780481 (389 cc)	2
	9.802-813.0	Washer, 5/16 Lock Split Ring (51156560) (270 cc, 196 cc)	2
58	9.183-409-0	Rubber Dampener 5/16"-18 Female 2001 (196 cc)	1
59	8.917-977.0	Pump Support LG Fab Black Wrinkle (196 cc)	1
60	9.196-308.0	5/16-18 x 1/2 Carriage Bolt A307 BLK (196 cc)	1
61	8.933-024.0	Rail, Pump Support (389 cc)	1
	9.804-533.0	Rail, Pump Support (270 cc)	1
62	8.750-809.0	Label Operation Warn Trilingual Small	1

▲ Not Shown

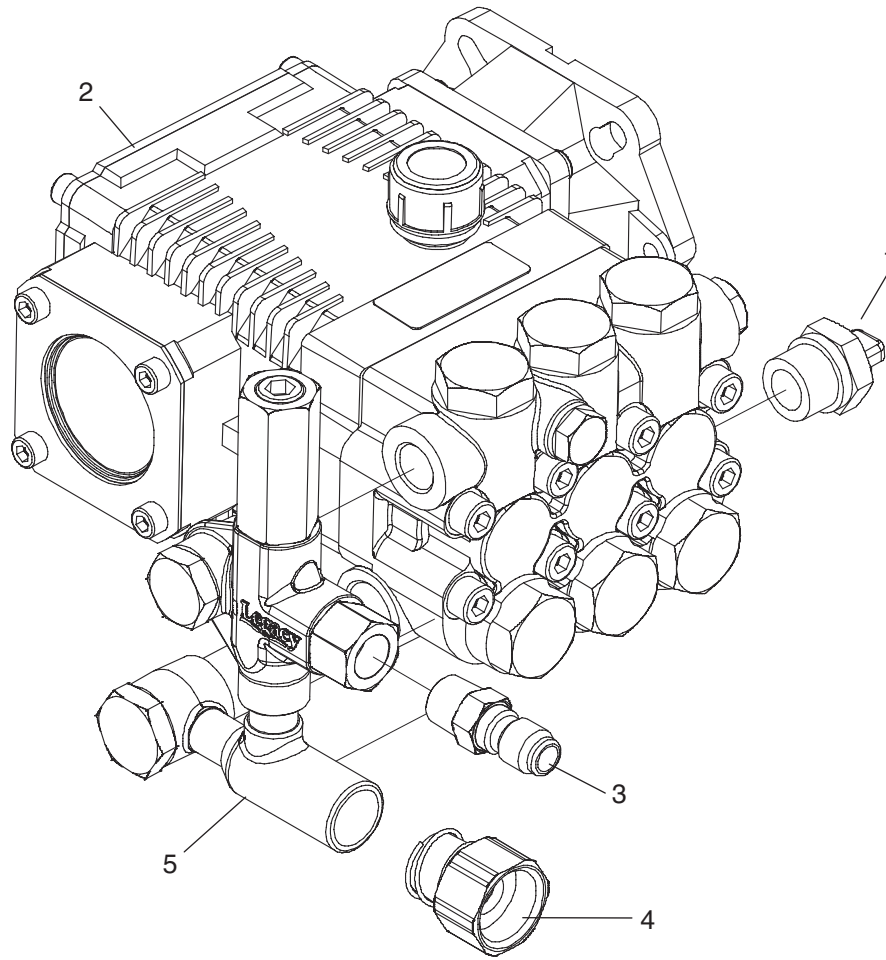
S4040G.3 & S3540G.3 PUMP ASSEMBLY EXPLODED VIEW



S4040G.3 & S3540G.3 PUMP ASSEMBLY PARTS LIST

ITEM	PART NO.	DESCRIPTION	QTY	ITEM	PART NO.	DESCRIPTION	QTY
1	8.707-256.0	Pump Protector, 1/2	1	11	8.751-195.0	Pump KS4040GR.3, 4@4000, 3400 RPM	1
2	8.706-958.0	Hose Barb 1/4" x 1/4" Pipe, 90 Deg	1		8.751-177.0	Pump LS4040GR.3, 4@4000, 3400 RPM	1
3	8.706-207.0	Elbow, 3/8", Street 90 Deg	1		8.751-184.0	Pump HS4040GR.3, 4@4000, 3400 RPM	1
4	9.802-190.0	Valve, EZ Start, 3/8 MPT x 1/8 FPT	1		8.751-194.0	Pump KS3540GR3, 3.5@4000 3400 RPM (4000 PSI Models)	1
5	8.706-940.0	Hose Barb, 1/4" Barb x 1/8" ML Pipe	1		8.751-176.0	Pump LS3540GR3, 3.5@4000 3400 RPM (4000 PSI Models)	1
6	9.802-254.0	Hose 1/4"	1.5 ft		8.751-183.0	Pump HS3540GR3, 3.5@4000 3400 RPM (4000 PSI Models)	1
7	6.390-126.0	Hose Clamp	2		8.921-766.0	Pump SS3540GR3, 3.5@4000 3400 RPM (4000 PSI Models)	1
8	9.175-013.0	Unloader, UU1 3500PSI Banjo 1/2"-1/4" NPT	1				
	9.803-900.0	Unloader VBA 4000 PSI Banjo 1/2"-1/4" NPT	1				
9	9.802-171.0	Nipple, 3/8" x 3/8" NPT St Male	1				
10	9.802-146.0	Swivel, 1/2" MP x 3/4" GFH W/Strainer	1				

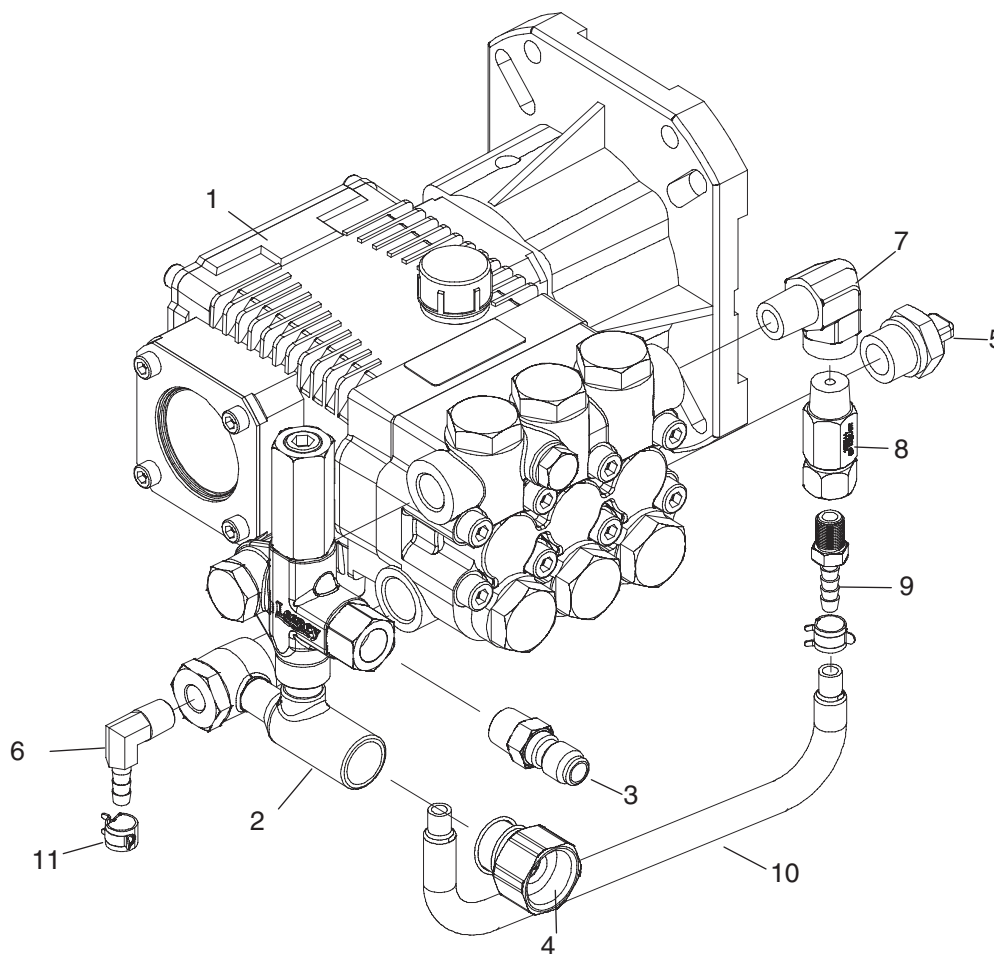
G2535G PUMP ASSEMBLY EXPLODED VIEW



G2535G PUMP ASSY EXPLODED VIEW PARTS LIST

ITEM	PART NO.	DESCRIPTION	QTY
1	8.707-256.0	Pump Protector, 1/2 PTP 140 DEG, P/N 1005	1
2	8.923-785.0	Pump, KP2535G 2.5@3500, 3400 RPM	1
	8.923-757.0	Pump, LG2535G 2.5@3500, 3400 RPM	1
	8.923-771.0	Pump, HP2535G 2.5@3500, 3400 RPM	1
3	9.802-170.0	Coupler, 3/8" Plug, Female Steel/Zinc	1
4	9.802-146.0	Swivel, 1/2" MP x 3/4" GHF W/Strainer	1
5	8.754-696.0	Unloader, VBT Banjo 1/2" 3/8M, 3000PSI	2

P3035G1 PUMP ASSEMBLY EXPLODED VIEW

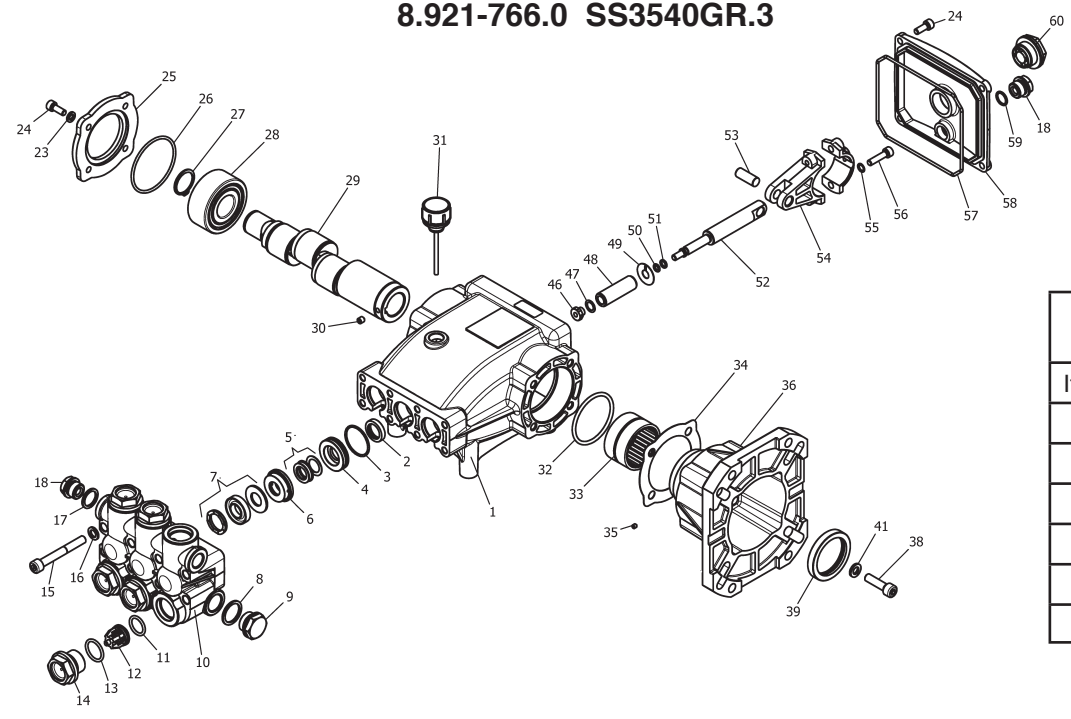


P3035G1 PUMP ASSY EXPLODED VIEW PARTS LIST

ITEM	PART NO.	DESCRIPTION	QTY	ITEM	PART NO.	DESCRIPTION	QTY
1	8.923-787.0	Pump KP3035G1 3@3500,3400 RPM	1	8	9.802-190.0	Valve, EZ Start, 3/8" MPT x 1/8 FPT	1
	8.923-759.0	Pump LP3035G1 3@3500, 3400 RPM	1	9	8.706-940.0	Hose Barb, 1/4" Barb x 1/8" ML Pipe	1
	8.923-773.0	Pump HP3035G1 3@3500, 3400 RPM	1	10	9.802-254.0	Hose 1/4"	1.5 ft
2	8.754-696.0	Unloader, VBT 3000PSI Banjo 1/2" 3/8",	1	11	6.390-126.0	Hose Clamp	2
3	9.802-170.0	Coupler, 3/8" Plug, Female, Steel/Zinc	1				
4	9.802-146.0	Swivel, 1/2" MP x 3/4" GHF W/Strainer	1				
5	8.707-256.0	Pump Protector, 1/2" PTP 140 DEG-p/n 1005	1				
6	8.706-958.0	Hose Barb, 1/4" Barb x 1/4" Pipe 90 D.	1				
7	8.706-207.0	Elbow, 3/8" Street 90 Deg p/n TF3409X6	1				

S4040GR.3 & S3540GR.3 PUMP EXPLODED VIEW

- | | |
|------------------------|------------------------|
| 8.751-195.0 KS4040GR.3 | 8.751-194.0 KS3540GR.3 |
| 8.751-177.0 LS4040GR.3 | 8.751-176.0 LS3540GR.3 |
| 8.751-184.0 HS4040GR.3 | 8.751-183.0 HS3540GR.3 |
| | 8.921-766.0 SS3540GR.3 |



TORQUE SPECS	
Item #	Ft.-lbs
14	75
15	30
24	7.6
38	10
46	7
56	13

S4040GR.3 & S3540GR.3 PUMP PARTS LIST

ITEM	PART NO.	DESCRIPTION	QTY	ITEM	PART NO.	DESCRIPTION	QTY
1	8.751-217.0	Crankcase	1	26	8.717-225.0	O-Ring Ø 2.62 x 61.6	1
2*	See Kit Below	Plunger Oil Seal	3	27	9.802-914.0	Snap Ring	1
3*	See Kit Below	O-Ring Ø1.78 x 31.47	3	28	9.803-168.0	Double Row Ball Bearing	1
4*	See Kit Below	Pressure Ring	3	29	9.803-151.0	Crankshaft (3540G.3)	1
5*	See Kit Below	U-Seal, 15mm	3		9.803-152.0	Crankshaft (4040G.3)	1
6*	See Kit Below	Intermed. Ring 15mm	3	30	9.802-945.0	Set Screw	1
7*	See Kit Below	U-Seal, 15mm	3	31	9.802-921.0	Oil Dip Stick	1
8	9.803-199.0	Copper Washer 1/2"	1	32	9.804-581.0	O-Ring Ø 3.53 x 55.56	1
9	9.802-926.0	Brass Plug, 1/2"	1	33	9.803-161.0	Needle Roller Bearing	1
10	8.751-218.0	Manifold Housing	1	34	8.751-230.0	Gasket	1
11*	9.803-191.0	O-Ring Ø2.62 x 17.13	6	35	8.717-544.0	Screw, Set	1
12*	See Kit Below	Valve Assembly	6	36	9.803-183.0	Engine Flange	1
13*	9.803-193.0	O-Ring Ø2.62 x 20.29	6	38	9.803-240.0	Flange Screw	4
14	9.802-928.0	Valve Plug	6	39	9.803-142.0	Crankshaft Seal	1
15	9.802-938.0	Manifold Stud Bolt	8	41	9.803-221.0	Spring Washer	4
16	9.802-884.0	Washer	8	46*	See Kit Below	Plunger Nut, M6	3
17	9.803-198.0	Copper Washer 3/8"	1	47*	See Kit Below	Washer, Copper, 9.2 x 13.5	3
18	9.802-925.0	Brass Plug 3/8"	2	48*	See Kit Below	Plunger, 15mm	3
23	9.803-201.0	Washer, M6 x 16	4	49*	See Kit Below	Copper Spacer	3
24	9.802-939.0	Hexagonal Screw	9				
25	9.803-184.0	Closed Bearing Housing	1				

S4040GR.3 & S3540GR.3 PUMP PARTS LIST (CONT.)

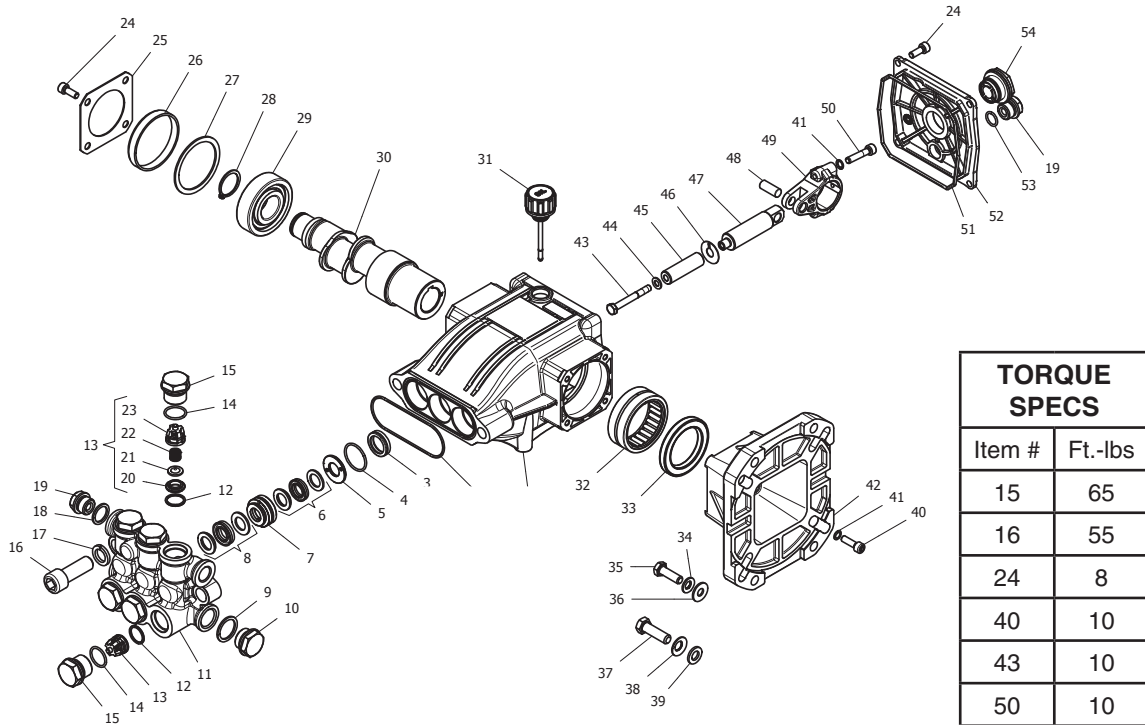
ITEM	PART NO.	DESCRIPTION	QTY
50*	See Kit Below	O-Ring Ø1.78x5.28	3
51*	See Kit Below	Teflon Ring	3
52	8.751-225.0	Plunger Rod	3
53	8.751-228.0	Connecting Rod Pin	3
54	9.803-158.0	Connecting Rod	3
55	9.803-218.0	Spring Washer	6
56	9.803-238.0	Connecting Rod Screw	6
57	8.933-016.0	O-Ring 2.62 x 126.67	1
58	8.751-229.0	Crankcase Cover	1
59	9.803-197.0	O-Ring, Ø 1.78 x 14	1
60	9.803-202.0	Sight Glass, G3/4	1

* Part available in kit (See below)

REPAIR KIT NUMBER	8.725-358.0	8.725-359.0	8.933-023.0	9.802-603.0	9.802-609.0
KIT DESCRIPTION	Plunger U-Seal 15mm	Complete U-Seal Packing 15mm	Plunger 15mm	Complete Valve	Plunger Oil Seals
ITEM NUMBERS INCLUDED	3, 5, 7	3, 4, 5, 6, 7	46, 47, 48, 49, 50, 51	11, 12, 13	2
NUMBER OF CYLINDERS KIT WILL SERVICE	3	1	1	6	3

LP3035G1 PUMP EXPLODED VIEW

8.923-759.0 LP3035G1
 8.923-773.0 HP3035G1
 8.923-787.0 KP3035G1
 8.923-801.0 SP3035G1



TORQUE SPECS	
Item #	Ft.-lbs
15	65
16	55
24	8
40	10
43	10
50	10

LP3035G1 PUMP EXPLODED VIEW PARTS LIST

ITEM	PART NO.	DESCRIPTION	QTY	ITEM	PART NO.	DESCRIPTION	QTY
1	8.754-841.0	Crankcase	1	19	8.707-262.0	Plug, Brass G3/8	2
2	8.754-846.0	O-ring Ø1.78 X 72.75	1	20*	See Kits Below	Valve Seat	6
3*	See Kits Below	Plunger Oil Seal	3	21*	See Kits Below	Valve Plate	6
4*	See Kits Below	O-ring Ø1.78 X 26.7	3	22*	See Kits Below	Valve Spring	6
5*	See Kits Below	Washer, Pressure Ring 14 mm	3	23*	See Kits Below	Valve Cage	6
6*	See Kits Below	U-Seal, 14 mm	3	24	9.802-939.0	Screw, M6 X 16	8
7*	See Kits Below	Pressure Ring, 14 mm	3	25	8.717-137.0	Bearing Cover	2
8*	See Kits Below	U-Seal, 14 mm	3	26	9.803-954.0	Bearing Seal	1
9	9.803-199.0	Washer, Copper G1/2	1	27	8.754-843.0	Seal Spacer, Crankshaft	1
10	9.802-926.0	Plug, Brass G1/2	1	28	9.802-914.0	Snap Ring, 25 mm	1
11	8.754-853.0	Manifold	1	29	9.803-955.0	Bearing, Ball	1
12*	8.717-233.0	O-ring Ø1.78 X 15.6	6	30	8.754-828.0	Shaft, 1" Hollow 3035G1	1
13*	See Kits Below	Valve Assembly	6		8.754-832.0	Shaft, 1" Hollow 3535G1	1
14*	9.803-948.0	O-ring Ø1.78 X 18.77	6		8.754-833.0	Shaft, 1" Hollow 4035G1	1
15	9.803-949.0	Valve Plug	6	31	8.754-219.0	Oil Dipstick	1
16	8.754-854.0	Bolt, Manifold M14 x 40	2	32	8.754-840.0	Bearing Needle	1
17	8.754-850.0	Washer, Lock	2	33	8.754-826.0	Seal, Crankshaft	1
18	9.803-198.0	Washer, Copper G3/8	1	34	9.802-889.0	Washer	4
				35	9.803-243.0	Screw	4
				36	9.803-215.0	Washer 6 mm	4

LP3035G1 PUMP EXPLODED VIEW PARTS LIST (CONT)

ITEM	PART NO.	DESCRIPTION	QTY
37	9.803-244.0	Screw	4
38	9.803-217.0	Washer	4
39	9.803-216.0	Washer	4
40	8.752-824.0	Screw, M6 x 20	4
41	9.803-218.0	Washer, 6 mm	10
42	8.754-864.0	Flange, Engine	1
43*	8.754-855.0	Bolt, Plunger	3
44*	8.754-092.0	Spacer, Copper	3
45*	8.754-849.0	Plunger, 14 mm	3
46*	9.803-962.0	Spacer, Copper	3
47	8.754-827.0	Plunger Rod	3
48	9.803-965.0	Connecting Rod Pin	3
49	9.803-966.0	Connecting Rod	3
50	8.933-020.0	Screw, Connecting Rod	6
51	8.754-847.0	O-ring Ø2.62 X 111.62	1
52	8.754-842.0	Cover, Crankcase	1
53	9.803-906.0	O-ring Ø1.78 X 14	1
54	9.803-202.0	Sight Glass, G3/4	1

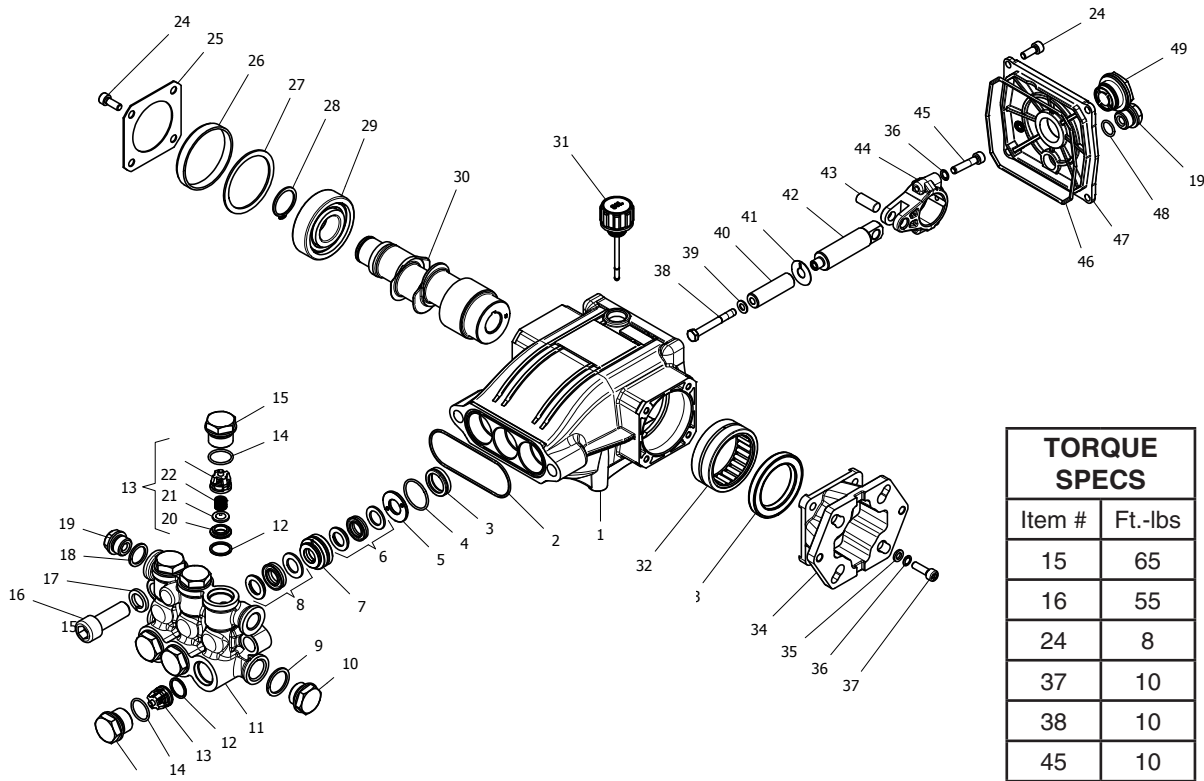
* Available in kit (See below)

G3035G1 PUMP REPAIR KITS

REPAIR KIT NUMBER	8.754-860.0	8.754-861.0	8.754-862.0	8.754-859.0	9.803-937.0
KIT DESCRIPTION	Plunger Seal 14mm	Complete Seal Packing 14mm	Plunger 14mm	Complete Valve	Plunger Oil Seals
ITEM NUMBERS INCLUDED	4, 6, 8,	4, 5, 6, 7, 8,	43, 44, 45, 46	12, 13, 14	3
NUMBER OF CYLINDERS KIT WILL SERVICE	3	1	1	6	3

LP PUMP EXPLODED VIEW

- 8.923-757.0 LP2535G
- 8.923-771.0 HP2535G
- 8.923-785.0 KP2535G
- 8.923-799.0 SP2535G



TORQUE SPECS	
Item #	Ft.-lbs
15	65
16	55
24	8
37	10
38	10
45	10

LP PUMP EXPLODED VIEW PARTS LIST

ITEM	PART NO.	DESCRIPTION	QTY	ITEM	PART NO.	DESCRIPTION	QTY
1	8.754-841.0	Crankcase	1	19	8.707-262.0	Plug, Brass G3/8	1
2	8.754-846.0	O-ring Ø1.78 X 72.75	1	20*	See Kits Below	Valve Seat	6
3*	See Kits Below	Plunger Oil Seal	3	21*	See Kits Below	Valve Plate	6
4*	See Kits Below	O-ring Ø1.78 X 26.7	3	22*	See Kits Below	Valve Spring	6
5*	See Kits Below	Washer, Pressure Ring 14 mm	3	23*	See Kits Below	Valve Cage	6
6*	See Kits Below	U-Seal, 14 mm	3	24	9.802-939.0	Screw, M6 X 16	12
7*	See Kits Below	Pressure Ring, 14 mm	3	25	8.717-137.0	Bearing Cover	2
8*	See Kits Below	U-Seal, 14 mm	3	26	9.803-954.0	Bearing Seal	1
9	9.803-199.0	Washer, Copper G1/2	1	27	8.754-843.0	Seal Spacer, Crankshaft	1
10	9.802-926.0	Plug, Brass G1/2	1	28	9.802-914.0	Snap Ring, 25 mm	1
11	8.754-853.0	Manifold	1	29	9.803-955.0	Bearing, Ball	1
12*	8.717-233.0	O-ring Ø1.78 X 15.6	6	30	8.754-831.0	Shaft, 3/4" Hollow 2535G	1
13*	See Kits Below	Valve Assembly	6		8.754-834.0	Shaft, 3/4" Hollow 3035G	1
14*	9.803-948.0	O-ring Ø1.78 X 18.77	6	31	8.754-219.0	Oil Dipstick	1
15	9.803-949.0	Valve Plug	6	32	8.754-840.0	Bearing Needle	1
16	8.754-854.0	Bolt, Manifold M14 x 40	2	33	8.754-826.0	Seal, Crankshaft	1
17	8.754-850.0	Washer, Lock	2	34	8.754-863.0	Flange, Engine	1
18	9.803-198.0	Washer, Cooper G3/8	1	35	9.803-210.0	Washer	4
				36	9.803-218.0	Washer 6mm	10

LP PUMP EXPLODED VIEW PARTS LIST (CONT)

ITEM	PART NO.	DESCRIPTION	QTY
37	8.752-824.0	Screw, M6 x 20	4
38*	8.754-855.0	Bolt, Plunger	3
39*	8.754-092.0	Spacer, Copper	3
40*	8.754-849.0	Plunger, 14 mm	3
41*	9.803-962.0	Spacer, Copper	3
42	8.754-827.0	Plunger Rod	3
43	9.803-965.0	Connecting Rod Pin	3
44	9.803-966.0	Connecting Rod	3
45	8.933-020.0	Screw, Connecting Rod	6
46	8.754-847.0	O-ring Ø2.62 X 111.62	1
47	8.754-842.0	Cover, Crankcase	1
48	9.803-906.0	O-ring Ø1.78 X 14	1
49	9.803-202.0	Sight Glass, G3/4	1

* Available in kit (See below)

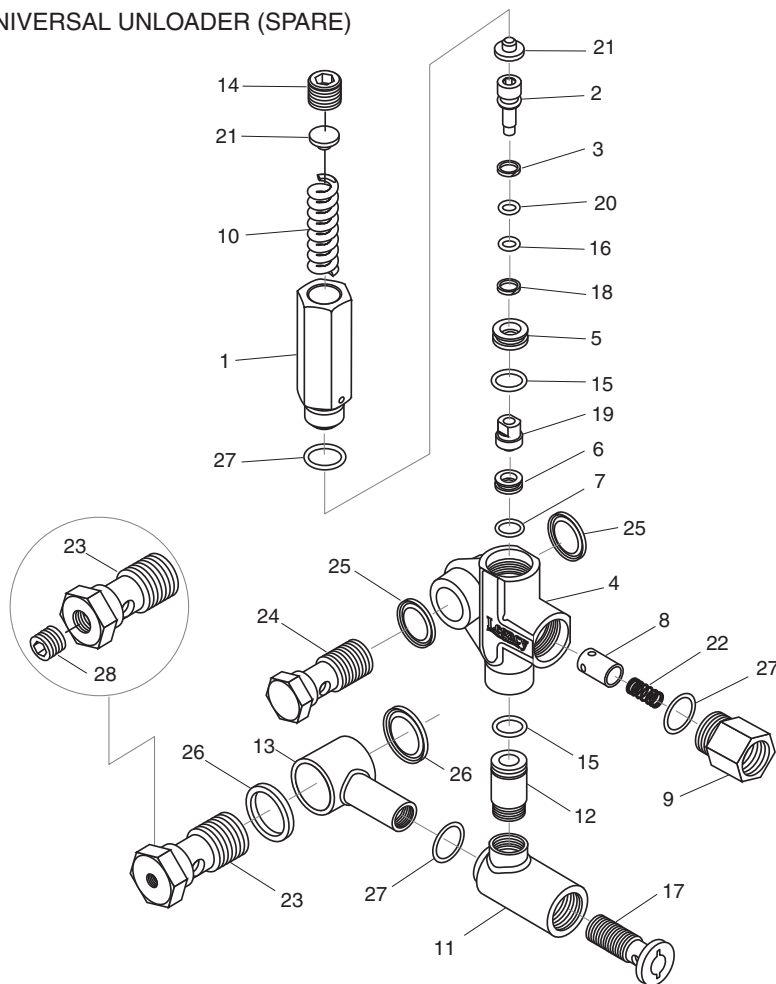
LP PUMP REPAIR KITS

REPAIR KIT NUMBER	8.754-860.0	8.754-861.0	8.754-862.0	8.754-859.0	9.803-937.0
KIT DESCRIPTION	Plunger Seals 14mm	Seal Packing 14mm	Plunger 14mm	Complete Valve	Plunger Oil Seals
ITEM NUMBERS INCLUDED	4, 6, 8	4, 5, 6, 7, 8	43, 44, 45, 46	12, 13, 14	3

UU1 UNLOADER EXPLODED VIEW

9.175-018.0

UU1 3500PSI, UNIVERSAL UNLOADER (SPARE)

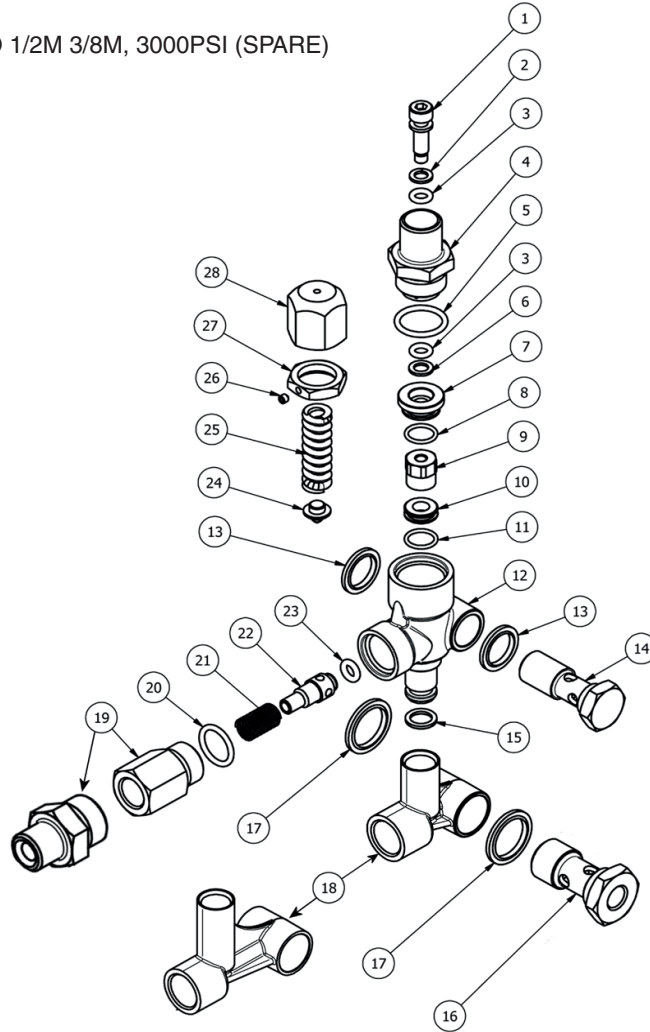


UU1 UNLOADER EXPLODED VIEW PARTS LIST

ITEM	PART #	DESCRIPTION	KIT	QTY	ITEM	PART #	DESCRIPTION	KIT	QTY
1	8.751-394.0	Piston Housing	D	1	17	9.149-006.0	Sliding Connector Guide		1
2		Piston	C, D	1	18		O-Ring Backup 6 x 1.45 x 1.68	A, D	1
3		Piston O-Ring Back Up	A, D	1	19		Ball Housing Assy	C, D	1
4	8.749-796.0	Main Block		1	20		O-Ring 6.75 x 1.78 BN80	A, D	1
5	9.152-372.0	Piston Ring	D	1	21		Spring Seat	C, D	2
6		Ball Seat	C, D	1	22		Plunger Spring	B	1
7		O-Ring 10.5 ID x 1.5 CS	A,C,D	1	23	8.917-699.0	Banjo Bolt 1/2" Short		1
8		Plunger	B	1		8.917-700.0	Banjo Bolt 1/2"-1/4" NPT Short		1
9	9.152-016.0	Plunger Housing		1	24	8.917-698.0	Banjo Bolt 3/8" Short		1
10		Bypass Spring	C, D	1	25	9.802-893.0	Seal Washer 3/8"		2
11	9.149-001.0	Low Pressure Port		1	26	9.803-921.0	Seal Washer 1/2"		2
12	9.152-017.0	Sliding Connector, 30mm		1		9.802-893.0	Seal Washer 3/8"		2
	8.762-005.0	Sliding Connector, 40mm, Long		1	27		O-Ring 15 ID x 2CS	A,B,D	3
13	9.149-002.0	Sliding Connector H 1/2"		1	28	8.706-865.0	Plug, 1/4" Countersunk		1
	9.149-005.0	Sliding Connector H 3/8"		1	Kit A	9.104-038.0	O-Ring Repair Kit		
14	9.196-011.0	Plug 5/8 -18 UNF	D	1	Kit B	9.104-039.0	Outlet Kit		
15		O-Ring 12 ID x 2 CS	A, D	2	Kit C	9.104-040.0	Stem Basic Kit		
16		O-Ring 6 ID X 2 CS	A, D	1	Kit D	8.920-045.0	UU1 Complete Stem Kit		

VBT UNLOADER EXPLODED VIEW

8.754-696.0
UNLOADER, VBT BANJO 1/2M 3/8M, 3000PSI (SPARE)



VBT UNLOADER EXPLODED VIEW PARTS LIST

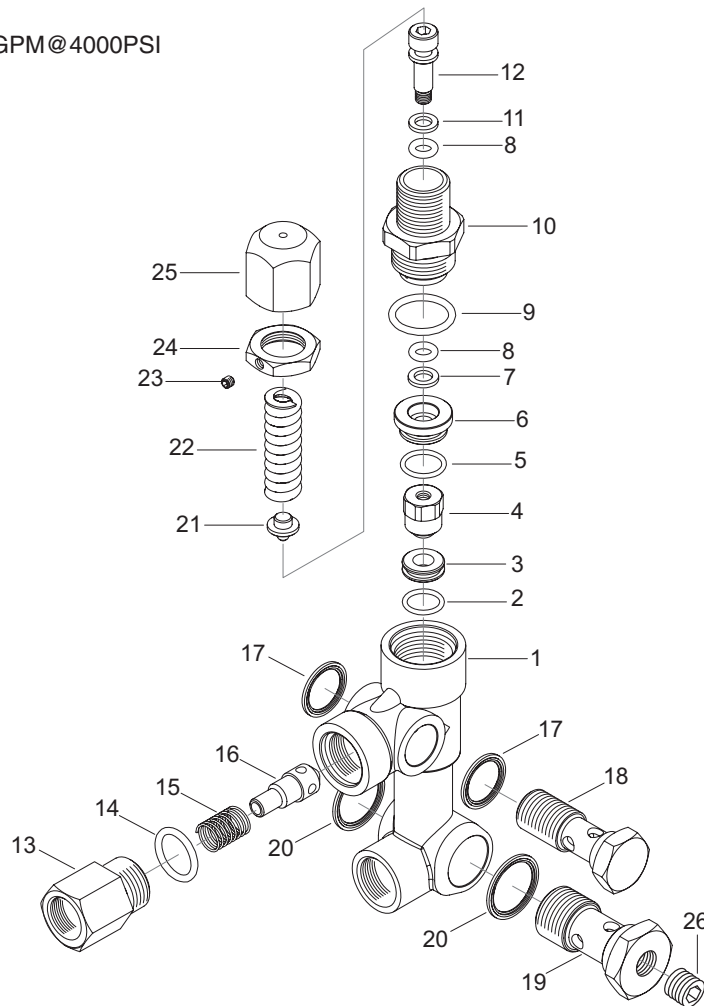
ITEM	PART #	DESCRIPTION	KIT	QTY	ITEM	PART #	DESCRIPTION	KIT	QTY
1*	8.754-929.0	Stem	C	1	17	9.803-914.0	Seal Washer 1/2)		1
2*	9.803-912.0	Backup Ring	A	1	18	8.754-937.0	Bypass Manifold		1
3*	8.754-930.0	O-ring, Ø2.62 x 6.02	A	2	19	9.802-892.0	Outlet Connector 3/8 MPT		1
4	8.730-882.0	Stem Connector		1	20*	9.803-191.0	O-ring, Ø2.62 X 17.13	A,B	1
5*	9.803-193.0	O-ring, Ø2.62 x 20.24	A	1	21*	8.933-017.0	Poppet Spring	B	1
6*	9.803-908.0	Backup Ring	A	1	22*	8.754-939.0	Poppet	B	1
7	9.803-907.0	Guide Bushing		1	23*	8.754-940.0	O-ring, Ø3 x 6	A,B	1
8*	9.803-906.0	O-ring, Ø1.78 x 14	A	1	24*	8.754-961.0	Plate	C	1
9*	8.754-959.0	Ball SubAssembly	C	1	25*	8.933-018.0	Spring 1500-4000 PSI	C	1
10*	8.754-933.0	Seat	C	1	26	8.933-021.0	Set Screw		1
11*	8.754-934.0	O-ring, Ø1.78 x 12.42	A,C	1	27	9.803-925.0	Nut		1
12	8.754-935.0	Valve Body		1	28	9.803-926.0	Knob, Brass, Unloader		1
13	9.802-893.0	Seal Washer 3/8		1					
14	9.803-919.0	Banjo Bolt 3/8		1					
15*	8.754-936.0	O-ring, Ø2.62 x 10.78	A	1					
16	9.803-920.0	Banjo Bolt, 1/2, w/1/4" Port		1					

* Included in Kit

Kit A 8.754-941.0 O-Ring Repair Kit
Kit B 8.754-942.0 Outlet Repair Kit
Kit C 8.754-957.0 Stem Repair Kit

VBA UNLOADER EXPLODED VIEW

9.803-900.0
UNLOADER (VBA), 6.6GPM@4000PSI



VBA UNLOADER EXPLODED VIEW PARTS LIST

ITEM	PART #	DESCRIPTION	KIT	QTY	ITEM	PART #	DESCRIPTION	KIT	QTY
1		Body Valve (KG)		1	17	9.802-893.0	Seal Washer 3/8"		2
		Body Valve (KS)		1	18	9.803-919.0	Banjo Bolt 3/8" Solid Cap		1
2		O-Ring	A, C	1	19	9.803-920.0	Banjo Bolt 1/2", w 1/4" Pilot		1
3		Seat	C	1	20	9.803-921.0	Seal Washer 1/2"		2
4		Ball, Sub Assy	C	1	21		Plate	C	1
5		O-Ring	A	1	22		Spring	C	1
6	9.803-907.0	Guide Bushing		1	23	8.933-021.0	Set Screw		1
7		Teflon Ring		1	24	9.803-925.0	Nut		1
8		O-Ring	A	1	25	9.803-926.0	Brass Handle		1
9		O-Ring	A	2	26	8.706-865.0	Plug, 1/4" Countersunk		1
10	9.803-911.0	Connector		1	Kit A	8.717-672.0	O-Ring Repair Kit		
11		Teflon Ring	A	1	Kit B	8.717-673.0	Outlet Kit		
12		Stem	C	1	Kit C	8.717-674.0	Stem Basic Kit		
13	9.803-914.0	Connector Female		1					
14		O-Ring	A, B	1					
15		Spring	B	1					
16		Poppet	B	1					