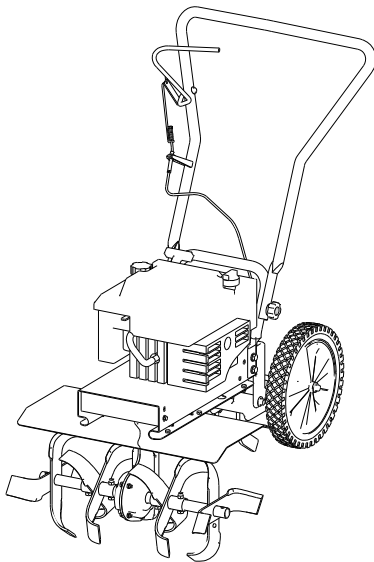


Earthquake[®]

OPERATING INSTRUCTIONS & PARTS EXPLOSIONS FRONT TINE ROTOTILLERS

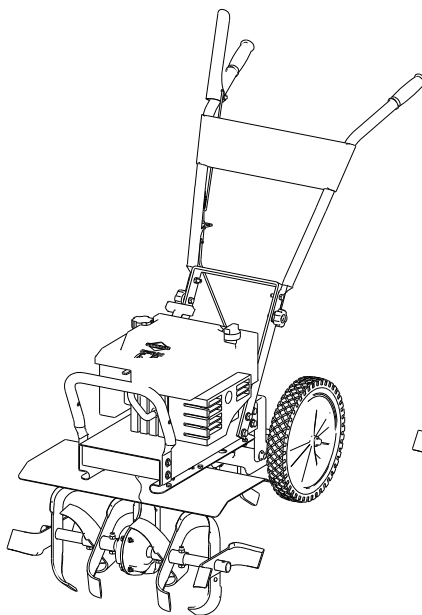


Model 3365
Briggs & Stratton
5.50 ft-lbs Gross Torque

Model 3365B
Briggs & Stratton
6.50 ft-lbs Gross Torque

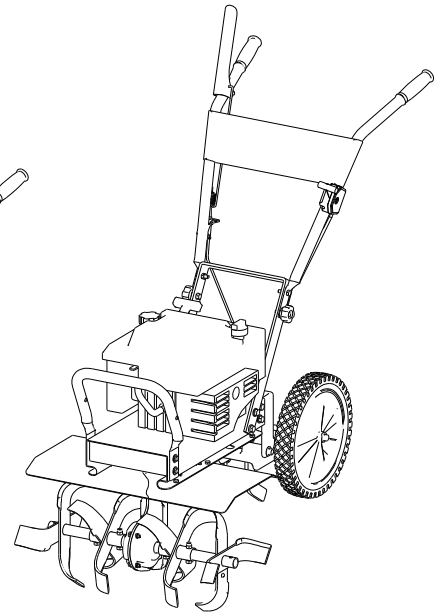
Model 3365CE
Briggs & Stratton
6.50 ft-lbs Gross Torque

Model 3365K
Kohler
7.25 ft-lbs Gross Torque Vert.



Model 3365PS
Briggs & Stratton
6.50 ft-lbs Gross Torque

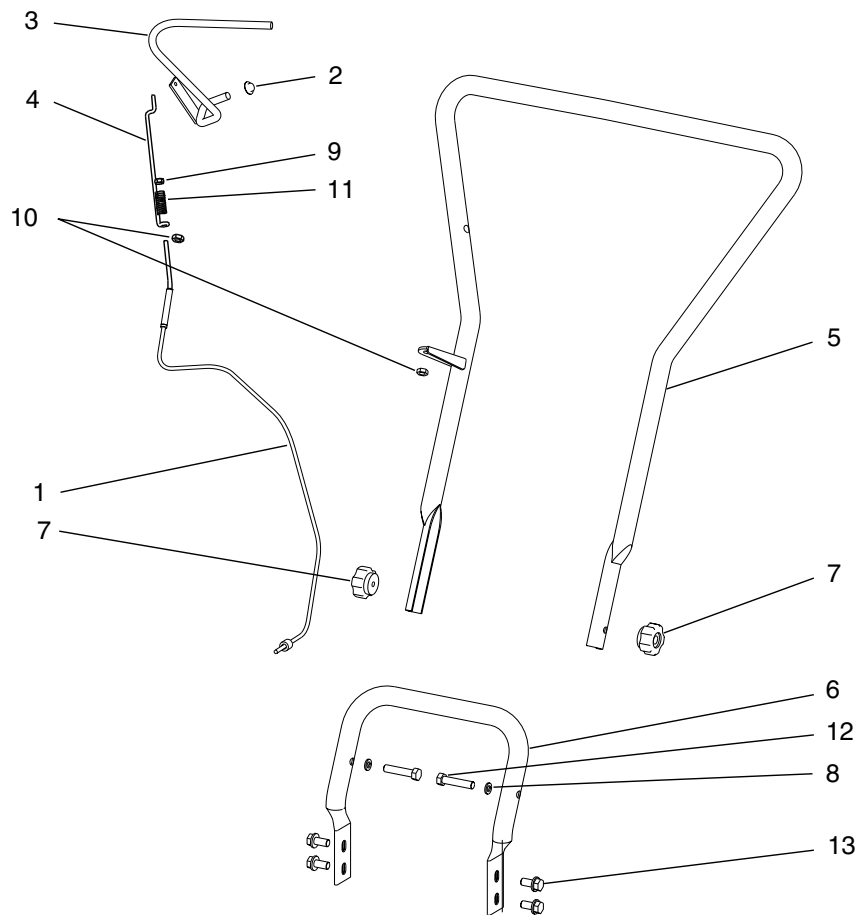
Model 3365KPS
Kohler
7.25 ft-lbs Gross Torque



Model R3355H
5.5 HP Honda

3365PSCE
Briggs & Stratton
8.5 ft-lbs Gross Torque

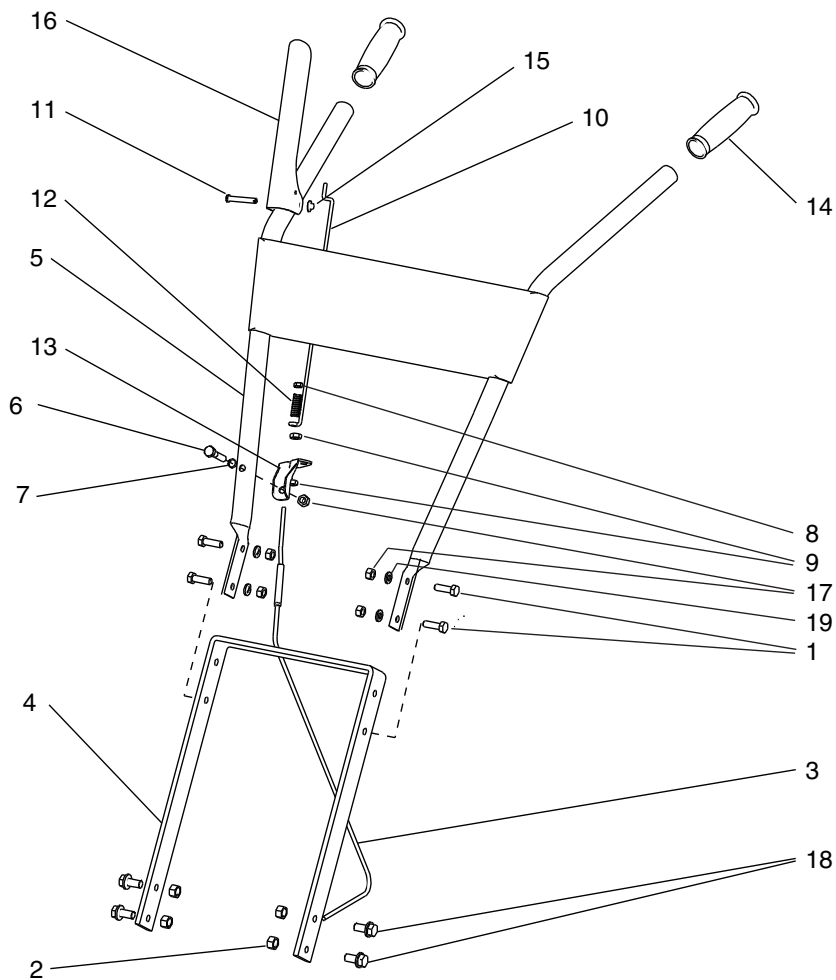
3365/3365B/3365CE/3365K HANDLEBAR PARTS



REF. NO.	PART #	DESCRIPTION	QTY.
1	3108A	CABLE ASSEMBLY W/FERREL	1
2	3170	NUT, PUSH 3/8" DIA.	1
3	32621	DRIVE SAFETY CONTROL LEVER (WIDE)	1
4	3268	LINK, 5-3/4" LONG	1
5	3269	HANDLE, TOP	1
6	3335	HANDLE, BOTTOM	1
7	48406	KNOB, FIVE-STAR 5/16-18	2

REF. NO.	PART #	DESCRIPTION	QTY.
8	504	LOCKWASHER, SPRING 5/16"	2
9	53606	NUT, HEX NYLOC 10-24	1
10	53607	NUT, HEX JAM 5/16-24	2
11	53620	SPRING, COMPRESSION	1
12	8655	BOLT, HEX HD 5/16-18 X 1-3/4"	2
13	90141	BOLT, SFHH W/PATCH 3/8-16 X 1" GR5	4

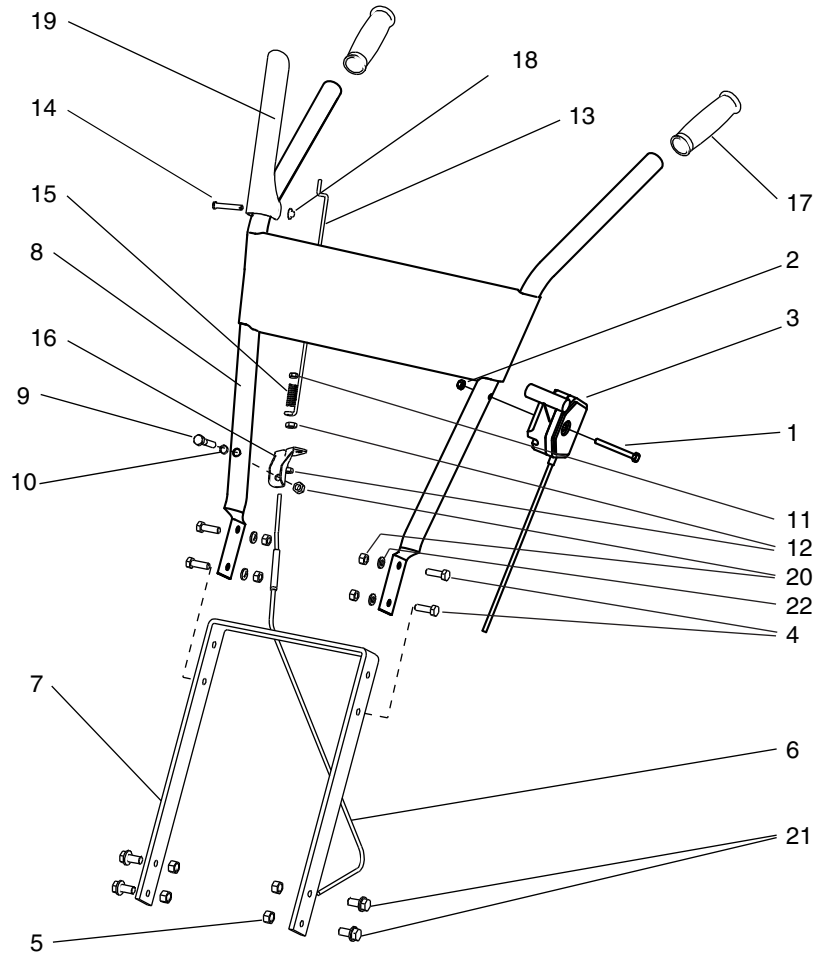
3365PS/3365KPS HANDLEBAR PARTS



REF. NO.	PART #	DESCRIPTION	QTY.
1	1501	BOLT, SOC FLG HEX HD 5/16-18 X 3/4" GR5	4
2	2104	NUT, BI-WAY HEX LOCK 3/8-16	4
3	3108A	CABLE ASSEMBLY W/FERREL	1
4	3358	MOUNT, HANDLEBAR	1
5	3359	HANDLEBAR WELDMENT	1
6	503	BOLT, HH 5/16-18 X 1-1/2"	1
7	504	LOCKWASHER, SPRING 5/16"	2
8	53606	NUT, HEX NYLOC 10-24	1
9	53607	NUT, HEX JAM 5/16-24	2

REF. NO.	PART #	DESCRIPTION	QTY.
10	53612	LINK 11-5/8" LONG	1
11	53614	PIN, CLEVIS 1/4 X 1-1/2"	1
12	53620	SPRING, COMPRESSION	1
13	53629	BRACKET, CABLE MOUNT	1
14	53631	GRIP, HANDLEBAR 1" ID FLANGELESS	2
15	53632	NUT, PUSH 1/4"	1
16	53650	LEVER, CONTROL	1
17	60G56	NUT, BI-WAY LOCK 5/16-18	5
18	90138	BOLT, SFHH 3/8-16 X 3/4"	4
19	WF516	WASHER, FLAT 5/16"	4

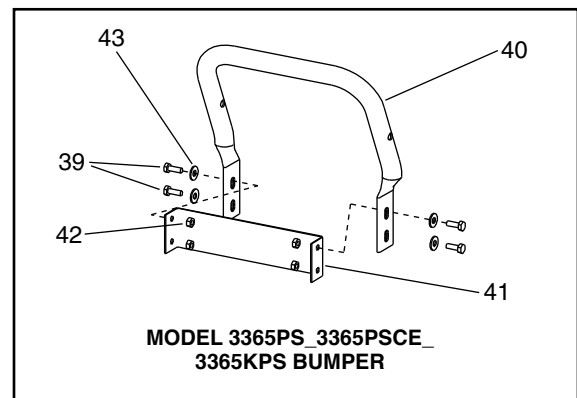
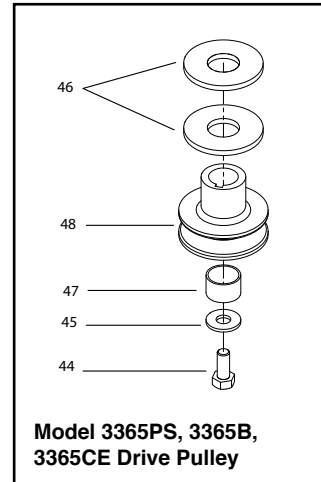
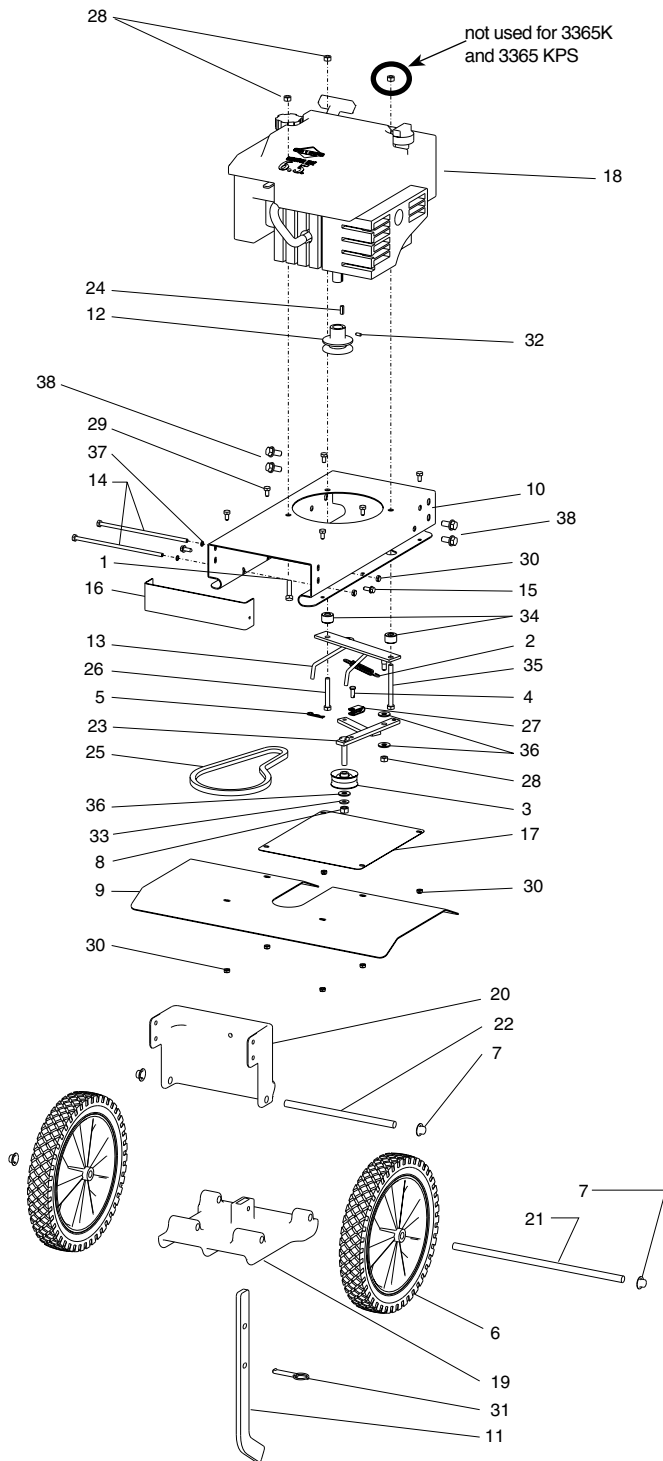
R3355H/3365PSCE HANDLEBAR PARTS



REF. NO.	PART #	DESCRIPTION	QTY.
1	331059	BOLT, HEX	1
2	W1265V0913	NUT, HEX	2
3	3310118	KIT, THROTTLE CONTROL W/ HARDWARE	1
4	1501	BOLT, SOC FLG HEX HD 5/16-18 X 3/4" GR5	4
5	2104	NUT, BI-WAY HEX LOCK 3/8-16	4
6	3108A	CABLE ASSEMBLY W/FERREL	1
7	3358	MOUNT, HANDLEBAR	1
8	3359	HANDLEBAR WELDMENT	1
9	503	BOLT, HH 5/16-18 X 1-1/2"	1
10	504	LOCKWASHER, SPRING 5/16"	2
11	53606	NUT, HEX NYLOC 10-24	1

REF. NO.	PART #	DESCRIPTION	QTY.
12	53607	NUT, HEX JAM 5/16-24	2
13	53612	LINK 11-5/8" LONG	1
14	53614	PIN, CLEVIS 1/4 X 1-1/2"	1
15	53620	SPRING, COMPRESSION	1
16	53629	BRACKET, CABLE MOUNT	1
17	53631	GRIP, HANDLEBAR 1" ID FLANGELESS	2
18	53632	NUT, PUSH 1/4"	1
19	53650	LEVER, CONTROL	1
20	60G56	NUT, BI-WAY LOCK 5/16-18	5
21	90138	BOLT, SFHH 3/8-16 X 3/4"	4
22	WF516	WASHER, FLAT 5/16"	4

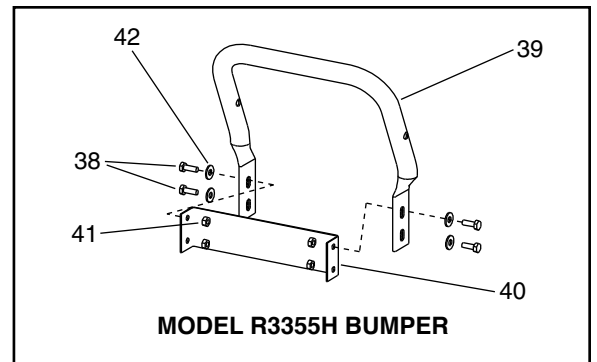
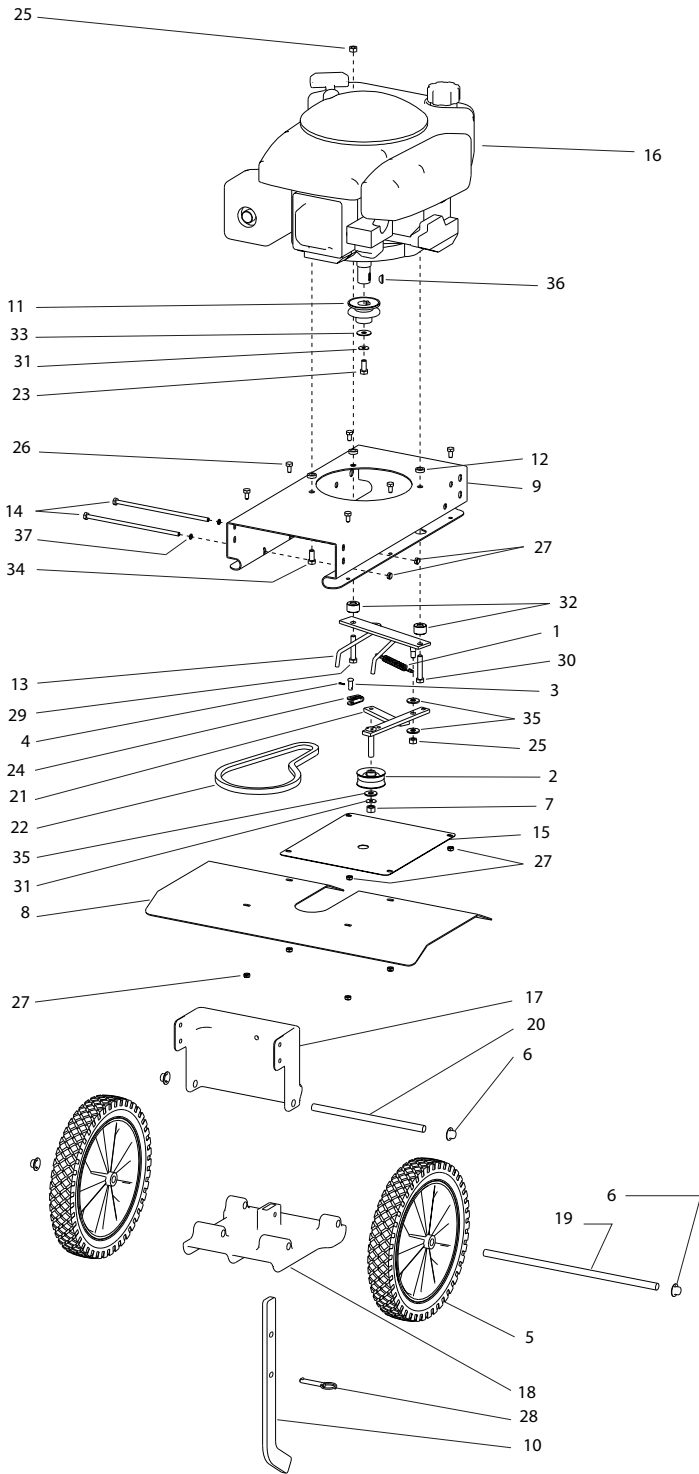
3365_3365B_3365K_3365KPS_3365CE_3365PS_3365PSCE MOTOR MOUNT & HOOD PARTS



3365_3365B_3365CE_3365PS_3365KPS_3365PSCE MOTOR MOUNT & HOOD PARTS

REF. NO.	PART #	DESCRIPTION	QTY.	REF. NO.	PART #	DESCRIPTION	QTY.
1	1401	BOLT, HHCS 5/16-18 X 1-1/4" GR5	1	25	3370	BELT, FORWARD	1
2	1407	SPRING, FORWARD ARM	1	26	48300	BOLT, HHCS 5/16-18 X 2-1/4" GR5	1
3	1413	PULLEY, FORWARD IDLER	1	27	53596B	YOKE, CABLE	1
4	1416	PIN, LINK	1	28	60G56	NUT, BI-WAY LOCK 5/16-18	4
5	1418	PIN, COTTER	1	29	63118	BOLT, HHCS 1/4-20 X 1/2"	6
6	1714252	WHEEL & TIRE ASSY 11.0 X 1.75	2	30	67538	NUT, HEX NYLOC 1/4-20	8
7	1960519	PUSH NUT 1/2" DIA.	4	31	69170	PIN, DETENT 5/16" X 2"	1
8	2108	NUT, NON-LOCKING HEX 3/8-16	1	32	715	SET SCREW 1/4-20 X 1/4" (Part used only on 3365, 3365K, and 3365KPS models)	2
9	3128	SHIELD, TINE	1	33	719	WASHER, SPRING LOCK 3/8"	1
10	3130A	FRAME, ENGINE MOUNT	1	34	744	SPACER, BELT GUIDE	2
11	3157	LEVER, DEPTH REGULATOR	1	35	90140	BOLT, HEX HD 5/16-18 X 3-1/4"	1
12	3171	PULLEY, ENGINE, SINGLE GROOVE (Part used only on 3365, 3365K and 3365KPS models)	1	35	2002	BOLT, HEX HD 3/8-16 X 1-1/2" (3365K and 3365KPS models only)	1
13	3182A	BELT GUIDE & MOUNT	1	36	WF516	WASHER, FLAT 5/16"	3
14	3196	BOLT, HHCS 1/4-20 X 7-1/2" GR5	2	37	WL14	WASHER, SPRING LOCK 1/4"	2
15	3202	SCREW, SHEET METAL 1/4 X 3/4" (3365, 3365B,3365CE)	2	38	90141	BOLT 3/8-16X1 SFHH GR5ZN W PATCH	4
16	3237	COVER, FRONT BELT (3365, 3365B,3365CE)	1	MODEL 3365PS/3365PSCE BUMPER GUARD PARTS			
17	3275	SHIELD, DIRT	1	39	1516	BOLT, SOC FLANGE HEX HD, 1/4-20 X 3/4"	4
18	3305	ENGINE, 6.50 T.R. BRIGGS (3305, 3365PS, 3365B, 3365CE)	1	40	3335	ARM LOWER HANDLEBAR	1
18	3305CE	ENGINE, 5.50 T.R. BRIGGS (3306, 3365)	1	41	3371	COVER, FRONT 4-HOLE (re- places 3237)	1
18	3306	ENGINE, 6.50 T.R. BRIGGS (3365B, 3365PS)	1	42	67538	NUT, HEX NYLOC 1/4-20	4
18	3307CE	ENGINE, 8.5 T.R. BRIGGS (3365PSCE)	1	43	WF14	WASHER, FLAT 1/4"	4
18	2000	ENGINE, 7.25 T.R. KOHLER (3365K and 3365KPS)	1	MODEL 3365PS, 3365PSCE DRIVE PULLEY PARTS			
19	3330	TAIL MOUNT, LOWER	1	44	807	BOLT 5/16-24X3/4 W/PATCH BHSCS	1
20	3329	TAIL MOUNT, UPPER	1	45	809	WASHER FLAT 1" OD X .047 SPACER	1
21	3331	SHAFT, WHEEL 1/2"	1	46	3207	SPACER .055 THICK X .755 ID X 1.244 OD	2
22	3332	SHAFT, TAIL MOUNT HINGE 1/2"	1	47	741	SPACER DRIVE PULLEY .900"	1
23	3360	IDLER ARM, FORWARD	1	48	3178	PULLEY SINGLE GROOVE ENGINE	1
24	3364	KEY, SQUARE 3/16" X 5/8"	1				

R3355H MOTOR MOUNT & HOOD PARTS

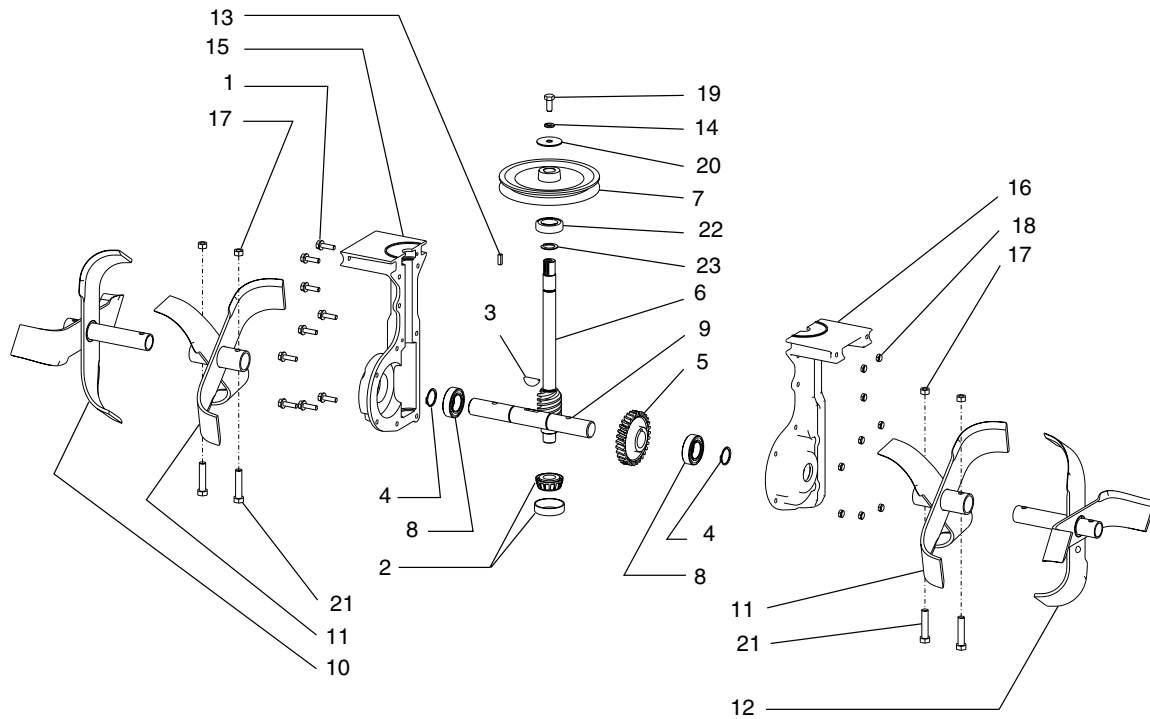


R3355H MOTOR MOUNT & HOOD PARTS

REF. NO.	PART #	DESCRIPTION	QTY.
1	1407	SPRING, FORWARD ARM	1
2	1413	PULLEY, FORWARD IDLER	1
3	1416	PIN, LINK	1
4	1418	PIN, COTTER	1
5	1714252	WHEEL & TIRE ASSY 11.0 X 1.75	2
6	1960519	PUSH NUT 1/2" DIA.	4
7	2108	NUT, NON-LOCKING 3/8-16	1
8	3128	SHIELD, TINE	1
9	3130A	FRAME, ENGINE MOUNT	1
10	3157	LEVER, DEPTH REGULATOR	1
11	31781	PULLEY, ENGINE, SINGLE GROOVE 3/4" ID MODIFIED	1
12	31782	SPACER, ENGINE	3
13	3182A	BELT GUIDE & MOUNT	1
14	3196	BOLT, HEX HD CAP SCR 1/4-20 X 7-1/2" GR5	2
15	3275D	SHIELD, DIRT W/HOLE	1
16	33055	ENGINE, 5.5 HP HONDA	1
17	3329	TAIL MOUNT, UPPER	1
18	3330	TAIL MOUNT, LOWER	1
19	3331	SHAFT, WHEEL 1/2"	1
20	3332	SHAFT, TAIL MOUNT HINGE 1/2"	1
21	3360	IDLER ARM, FORWARD	1
22	3370	BELT, FORWARD	1

REF. NO.	PART #	DESCRIPTION	QTY.
23	53194	BOLT, HEX HD FULL THRD 3/8-24 X 1" GR5	1
24	53596B	YOKE, CABLE	1
25	60G56	NUT, BI-WAY LOCK 5/16-18	4
26	63118	BOLT, HEX HD CAP SCR 1/4-20 X 1/2"	6
27	67538	NUT, HEX NYLOC 1/4-20	8
28	69170	PIN, DETENT 5/16" X 2"	1
29	712	BOLT HEX HD 5/16"-24 x 1/2"	1
30	717	BOLT, HEX HD 5/16-24 X 1-3/4"	1
31	719	WASHER, SPRING LOCK 3/8"	2
32	744	SPACER, BELT GUIDE	2
33	809	WASHER, FLAT 1" OD X 5/16" X .047" THICK	1
34	813	BOLT, HEX HD 5/16-24 X 1-1/4"	1
35	WF516	WASHER, FLAT 5/16"	3
36	WK6	KEY, WOODRUFF #6	1
37	WL14	WASHER, SPRING LOCK 1/4"	2
MODEL R3355H BUMPER GUARD PARTS			
38	1516	BOLT, SOC FLANGE HEX HD 1/4-20 X 3/4"	4
39	3335	ARM LOWER HANDLEBAR	1
40	3371	COVER, FRONT 4-HOLE	1
41	67538	BOLT, SOC BUTTON HD CAP SCR SS 1/4-20 X 1-1/2"	4
42	WF14	WASHER, FLAT 1/4"	4

TINES & TRANSMISSION PARTS



REF. NO.	PART #	DESCRIPTION	QTY.
1	1511	BOLT, SFHH 1/4-20 X 7/8"	9
2	1601	BEARING, TAPERED (includes cone & race)	1
3	1701	KEY, HALF MOON 1/4 X 1"	1
4	1810	SNAP RING, EXTERNAL	2
5	3116	GEAR, BRASS 1" ID	1
6	3122	SHAFT, DRIVE	1
7	3179	PULLEY, SINGLE GROOVE	1
8	3205W	BEARING, SEALED 1" ID (replaces 3205 bearing & 747 spacer)	2
9	3322	SHAFT, TINE 1"	1
10	3323	TINE SET, OUTSIDE RIGHT	1
11	3324	TINE SET, INSIDE	2
12	3326	TINE SET, OUTSIDE LEFT	1

REF. NO.	PART #	DESCRIPTION	QTY.
13	3364	KEY 3/16 X 1/2"	1
14	504	LOCKWASHER, SPRING 5/16"	1
15	56100B	CASTING, RIGHT SIDE	1
16	56101B	CASTING, LEFT SIDE	1
17	60G56	NUT, BI-WAY LOCK 5/16-18	4
18	67538	NUT, NYLOC 1/4"	9
19	802	SCREW, HEX HD 5/16-24 X 3/4"	1
20	803	WASHER 5/16" ID X 1-5/8" OD	1
21	8655	BOLT, HEX HD 5/16-18 X 1-3/4"	4
22	8922	BEARING, BALL R12	1
23	8924	SNAP RING, EXTERNAL 3/4"	1
24	3310TRAN	TRANSMISSION, COMPLETE	1
25	3334	KIT, TINES W/ DRAG STAKE (not shown)	1