



# MODEL 808/1010

## OPERATING INSTRUCTIONS AND PARTS MANUAL

***Read instructions carefully before attempting to assemble, install, operate or service this pressure washer. Failure to comply with instructions could result in personal injury and/or property damage!***

### 808 SPECIFICATIONS

- Pump Volume At Pump Head: 3 GPM
- Pump Pressure At Pump Head: 2000 PSI
- Power Supply: 230 VAC/1Ph
- Motor Size: 5 HP
- Machine Weight: 290 Lbs.
- Shipping Weight: 335 Lbs.
- Machine Dimensions: L = 28", W = 28", H = 43"

### 1010 SPECIFICATIONS

- Pump Volume At Pump Head: 3.8 GPM
- Pump Pressure At Pump Head: 3000 PSI
- Power Supply: 230 VAC/1Ph
- Motor Size: 7.5 HP
- Machine Weight: 450 Lbs.
- Shipping Weight: 505 Lbs.
- Machine Dimensions: L = 41", W = 32", H = 44"

Output specifications are based on engine power curves at 100 meters above sea level and 25°C ambient temperature in accordance with SAE J1349.

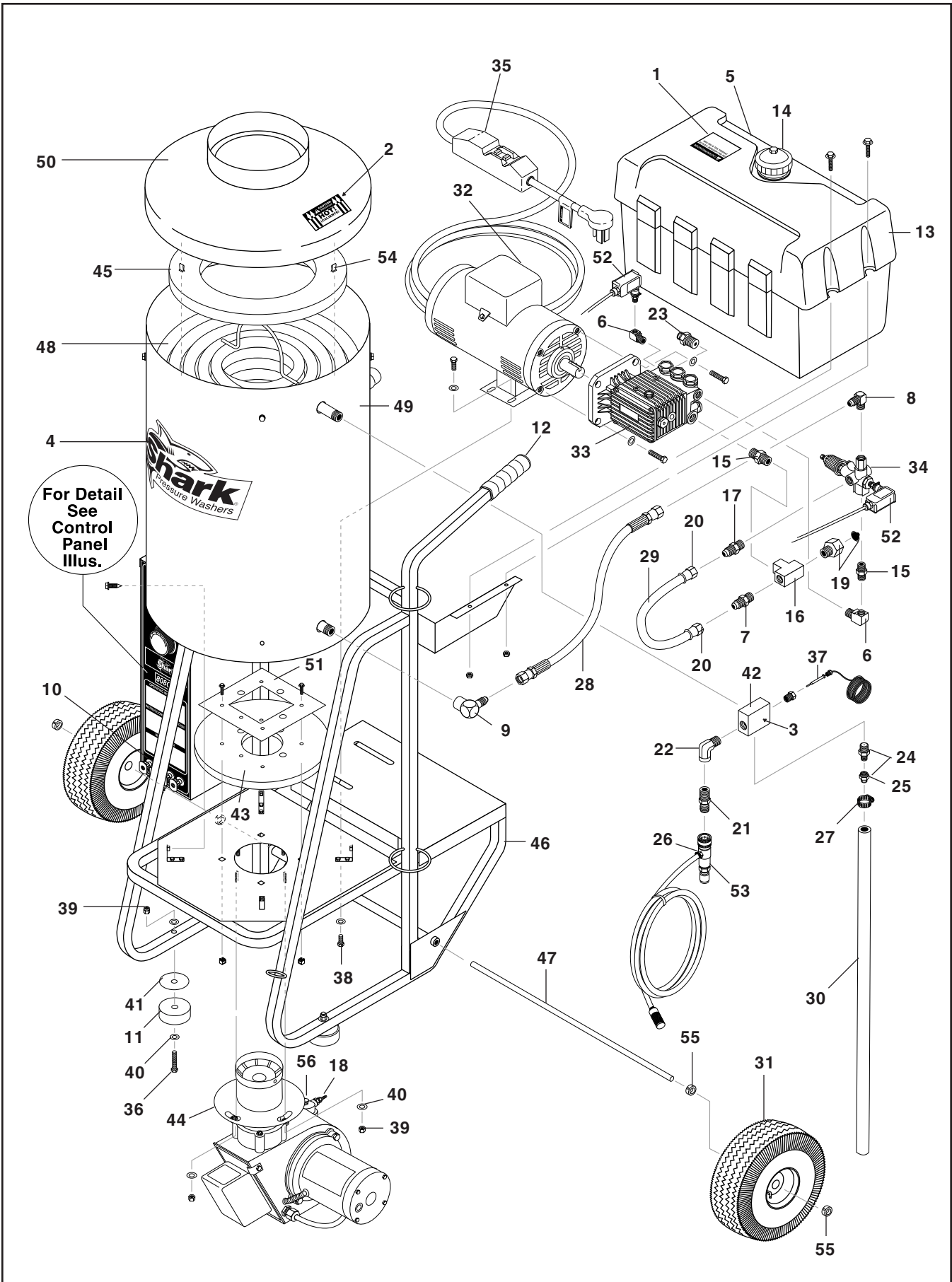


Figure 5 - Model 808, Exploded View

Ref. No.	Part No.	Description	Qty.
1	10-020110	Label, Use Only Kerosene	1
2	10-02025A	Label, "Hot/Caliente" w/ Arrows Warning	1
3	10-09004	Label, Hot Water Outlet	1
4	11-013	Shark Logo Large, Red/Blue/White	1
5	11-0101	Label, Warning, Pictorial, (Lexan)	1
6	2-0030	Elbow, 1/4", Street	2
7	2-0051	Nipple, 1/2" JIC, 3/8" Pipe	1
8	2-0053	Elbow, 1/2" JIC, 3/8", 90°	1
9	2-00602	Elbow, 1/2" JIC x 1/2" FEM 90°	1
10	2-0103	Grommet, Rubber, Nozzle Holder	4
11	2-01041	Pad, Soft Rubber, 50 Duro	2
12	2-01103	Grip, 1" SQR, Handle	2
13	2-011506	Tank, Fuel, 9 Gallon Poly, Black	1
14	2-01167	Cap, Fuel Tank, Plastic H60-AV	1
15	2-1005	Nipple, 3/8" HEX	2
16	2-1031	Tee, 3/8" Female, Pipe	1
17	2-1052	Nipple, 1/2" JIC x 3/8" Pipe	1
18	2-1085	Hose Barb, 1/4" Barb x 1/4" ML Pipe	2
19	2-10943	Swivel, 3/8" MP x 3/4" GHF w/ Strainer	1
20	2-1105	Swivel, 1/2" JIC Fem, Push-On	2
21	2-2007	Nipple, 3/8" x 3/8" NPT ST Male	1
22	2-0031	Elbow, 3/8", Street	1
23	2-300816	Pump Protector, 3/8" PTP	1
24	2-3408	Disk, Rupture Assy, 8000 PSI	1
25	2-3480	Rupture Disk Replacement, 8000 PSI	1
26	2-9000	Clamp, Screw, #4	6
27	2-9004	Clamp, Screw, #12	1
28	4-02047720	Hose, 3/8" x 20", 2 Wire, Pressure Loop	1
29	4-02110000	Hose, 1/2", Push-On, Per/ Ft.	1.2
30	4-02130050	Hose, 7/8" Push-On, Conduit	2.5
31	4-0303	Wheel & Tire Assy, 4" w/ Tube	2
32	5-1053	MTR 5HP 1PH 3450R C-Face 35R606R761G1	1
33	5-2303	Pump, General, TT2035 EF-B	1
34	5-3208	Unloader, AL607, 7.8GPM-4000PSI	1
	5-3027	Unloader, VB8 w/ Switch (Optional Auto Start/Stop)	1

Ref. No.	Part No.	Description	Qty.
35	6-01059	GFCI, 240V 30A, w/ 36' 10-3 Cord	1
	10-08018	▲ Label, Warning, Service Cord	1
36	90-1019	Bolt, 3/8" x 1-3/4", Tap	2
37	4-05088	Thermostat, Adjustable, 302F	1
38	90-1016	Bolt, 3/8" x 1", NC HH	3
39	90-2002	Nut, 3/8", ESNA, NC	5
40	90-4002	Washer, 3/8", SAE, Flat	12
41	90-4015	Washer, 7/16" x 2-1/2", Zinc, PG Foot	2
42	95-07101225	Block, Discharge, Brass 3/8" x 1/2"	1
43	7-01482	Insulation, Tank Bottom, VHW, 1" Blanket	1
44		Burner Assembly, See Burner Spec's Page 21	
45	7-014832	Insulation, Tank Head 16" OD x 8" ID	1
46	95-07102204	Assy, Frame	1
47	95-07102205	Axle	1
48	95-07121218	Coil, Dura, 14.5" DIA, SCH 80	1
49	95-07290013S	Wrap, Outer Coil, SS	1
50	95-07290029	Tank Head Assembly, 16" Diameter x 8" Stack	1
51	95-07290053	Retainer, Burner Insulation	1
52	6-02172	Switch, Pressure N/O, 3/8" NPT SS	1
53	4-011184	Detergent Injector Assy, 3-5 GPM, 0.83"	1
54	90-50045	Clip, Retaining U-Type	4
55	90-20041	Collar, 5/8" Bore Shaft 3010	4
56	2-99031	Filter, Diesel Fuel, Disposable	1

▲ Not Shown

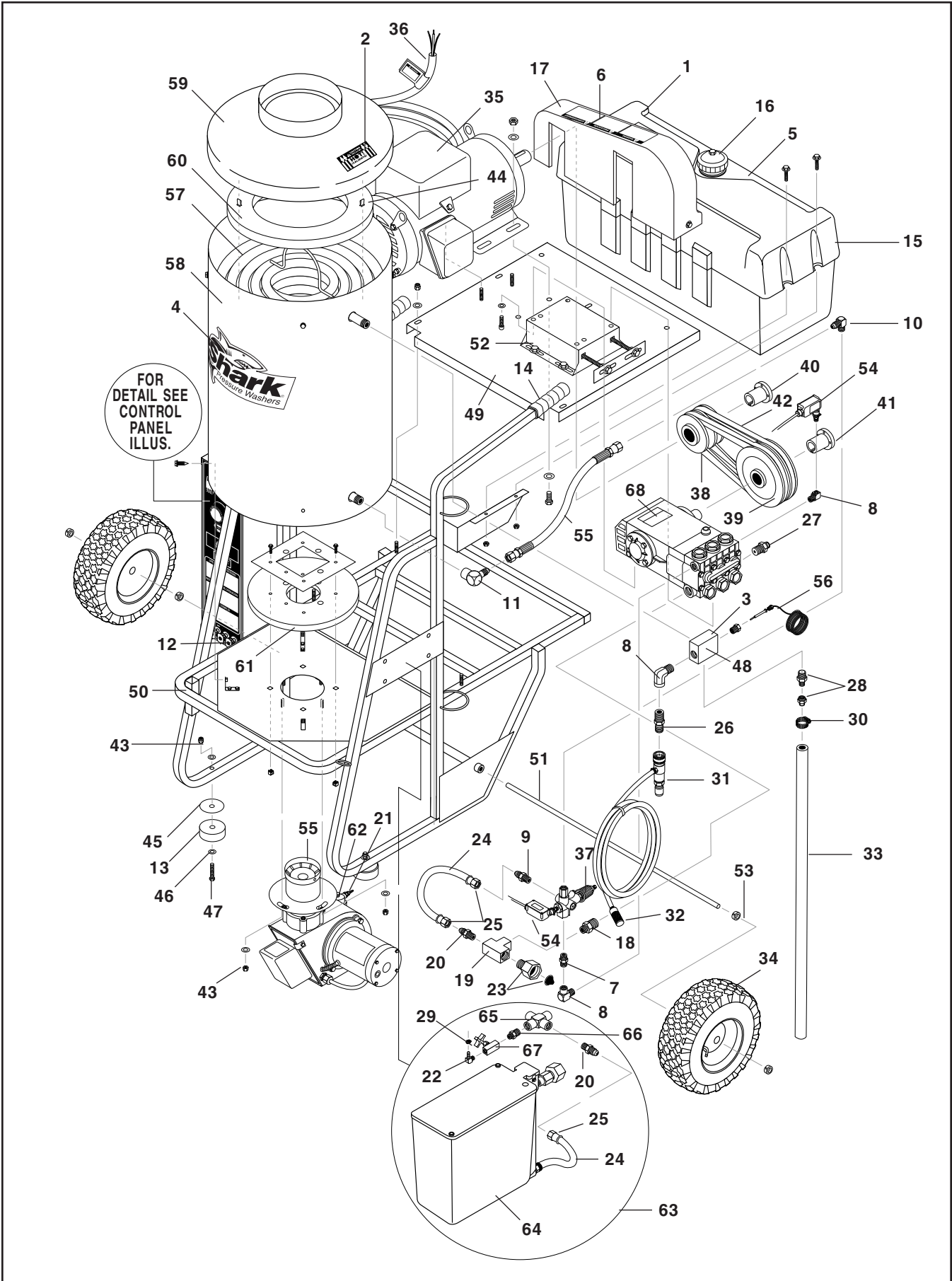
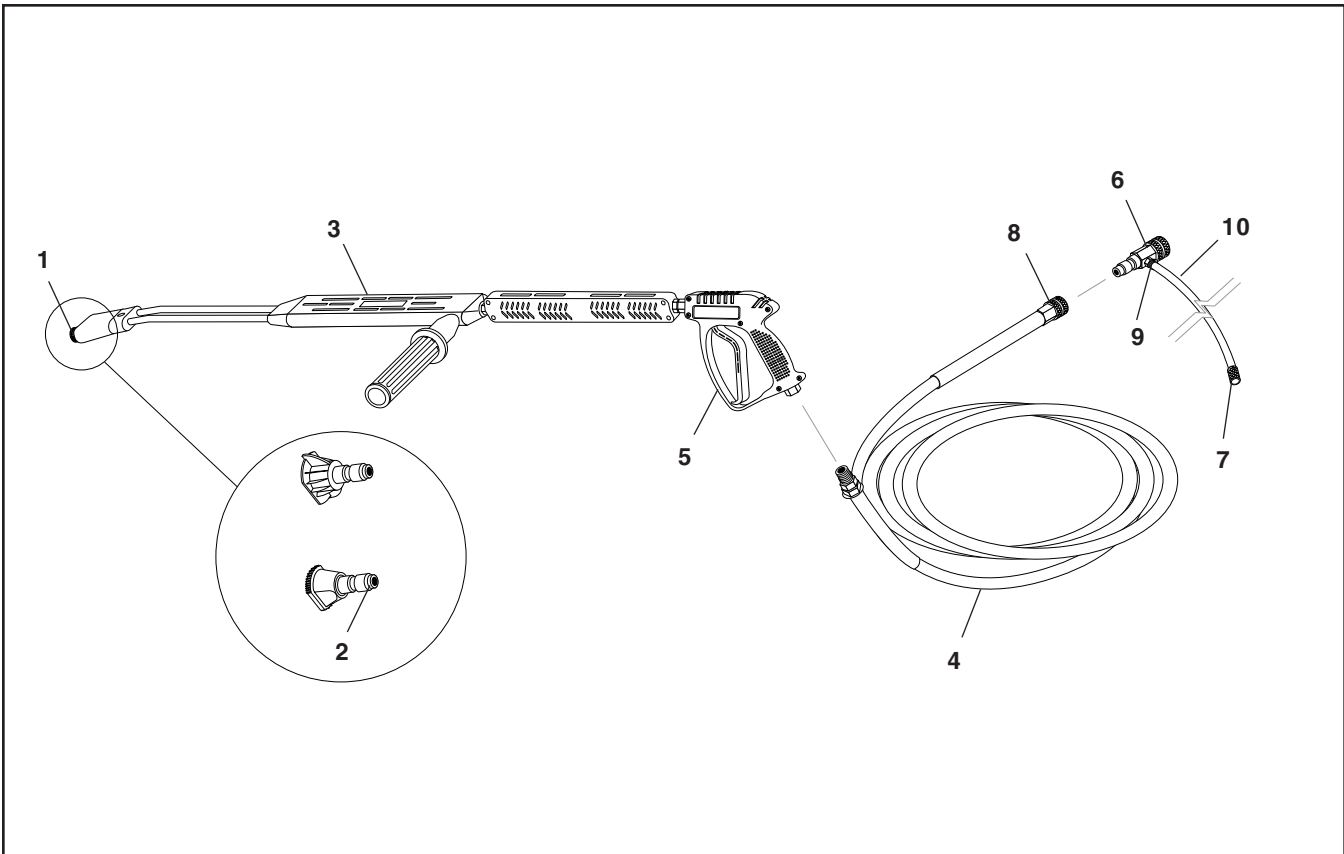


Figure 6 - Model 1010, Exploded View

Ref. No.	Part No.	Description	Qty.
1	10-020110	Label - Use Only Kerosene	1
2	10-02025A	Label -"Hot/Caliente" w/Arrows Warning	1
3	10-09004	Label - Hot Water Outlet	1
4	11-013	Shark Logo Large, Red/Blue/White	1
5	11-0101	Label - Warning, Pictorial, (Lexan)	1
6	11-0125	Label - Belt Guard	1
7	2-0006	Nipple, 3/8" Hex Steel	1
8	2-0031	Elbow, 3/8", Street	3
9	2-0051	Nipple, 1/2" JIC, 3/8" Pipe	1
10	2-0053	Elbow, 1/2" JIC, 3/8", 90°	1
11	2-00602	Elbow, 1/2" JIC x 1/2" Fem 90°	1
12	2-0103	Grommet, Rubber, Nozzle Holder	4
13	2-01041	Pad, Soft Rubber, 50 Duro	2
14	2-01103	Grip, 1" SQR, Handle	2
15	2-011506	Tank, Fuel, 9 Gallon Poly, Black	1
16	2-01167	Cap, Fuel Tank, Plastic H60-AV	1
17	2-011724	Belt Guard, w/ General Pump	1
18	2-1007	Nipple, 1/2" Hex	1
19	2-1032	Tee, 1/2" Female, Pipe	1
20	2-1053	Nipple, 1/2" JIC x 1/2" Pipe	2
21	2-1085	Hose Barb, 1/4" Barb x 1/4" ML Pipe	2
22	2-1089	Hose Barb, 1/4" Barb x 1/4" Pipe, 90°	1
23	2-10942	Swivel, 1/2"MP x 3/4" GHF w/ Strainer	1
24	4-02110000	Hose, 1/2", Push-On, Per/Ft	1.2
25	2-1105	Swivel, 1/2" JIC Fem, Push-On	2
26	2-2007	Nipple, 3/8" x 3/8" NPT ST Male	1
27	2-30082	Pump Protector, 1/2" PTP	1
28	2-3408	Disk, Rupture Assy, 8000 PSI	1
29	2-9000	Clamp, Screw, #4	6
30	2-9004	Clamp, Screw, #12	1
31	4-011184	Detergent Injector Assy, 3-5 GPM, 0.83"	1
32	2-1904	Strainer, 1/4" Hose Barb	1
33	4-02130050	Hose, 7/8" Push-On, Conduit	2.5
34	4-0307	Wheel & Tire, 6" Steel Rim	2
35	5-1013	MTR 7.5HP 1PH 1725RPM L1510T	1
36	10-08018	Label, Warning, Service Cord	1
37	5-3208	Unloader, AL607, 7.8GPM 4000PSI	1
	5-3027	Unloader, VB 8 w/ Switch (Auto, Start/Stop Option)	1
38	5-40205401	Pulley, 2AK 54 H	1
39	5-40207401	Pulley, 2AK 74 H	1

Ref. No.	Part No.	Description	Qty.
40	5-512024	Bushing, H x 24MM	1
41	5-511138	Bushing, H x 1-3/8"	1
42	5-602037	Belt, AX37	2
43	90-2002	Nut, 3/8", ESNA, NC	16
44	90-50045	Clip, Retainer U-Type	4
45	90-4015	Washer, 7/16" x 2-1/2", Zinc, PG Foot	2
46	90-4002	Washer, 3/8", SAE, Flat	25
47	90-1019	Bolt, 3/8" x 1-3/4", Tap	2
48	95-07101225	Block, Discharge, Brass 3/8" x 1/2"	1
49	95-07102211	Assy, Power Platform, Large	1
50	95-07102210	Assy, Frame, SR	1
51	95-07102215	Axle, SR	1
52	95-07121112	Rail, Pump Combo	1
53	90-20041	Collar, 5/8" Bore Shaft 3010	4
54	6-02172	Switch, Pressure N/O, 3/8" NPT SS	1
55	4-02047722	Hose, 3/8" x 22", 2 Wire, Pressure Loop	1
56	4-05088	Thermostat, Adjustable, 302F	1
57	95-07164054	Coil, 18" Oil Fired	1
	7-01433	▲ Insulation, Blanket-No Foil 55.0 x 24.0, 18" Vert. Coil	1
58	95-071640521	Wrap, Coil, 18" DIA SS	1
59	95-07163088	Top, Burner Wrap, 18"	1
60	7-014866	Insulation, Top Disk, 17.781" OD x 8" ID	1
61	7-014865	Insulation, Bottom Blanket, 18" OD x 4.5" ID	1
62	2-99050	▲ Filter, Parker Fuel/Oil/H2O Sep. (10 Micron)	1
63	35-160	Optional, Float Tank w/ Chemical Valve	1
64	2-01021	▲ Ball, Float, For 10359 Valve	1
	2-011641	Tank, Float	1
	2-011642	Cover, Float Tank	1
	2-30122	▲ Valve, Float	1
65	2-1035	Cross, 1/2" Female, Cast, Inlet PSI Only	1
66	2-1076	Bushing, 1/2" x 1/4" Brass	1
67	2-3015	Valve, Flow Control/Metering	1
68	5-23040	Pump, General, TS-1011(C)	1

▲ Not Shown

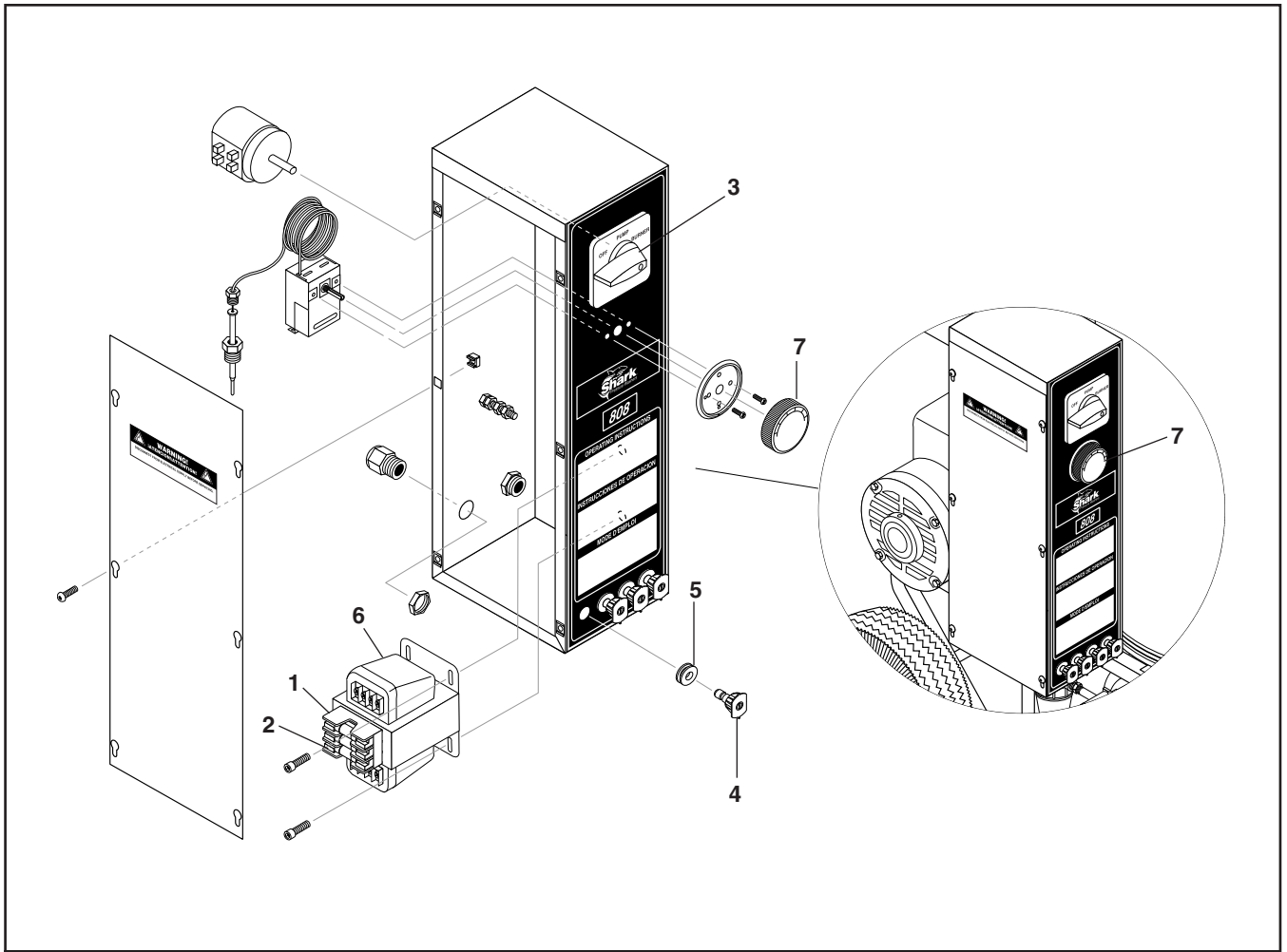


**Figure 7 - Trigger Gun/Hose Assembly**

Ref. No.	Part No.	Description	Qty.
1	2-2001	Coupler, 1/4" Male	1
	2-0119	▲ Quick Coupler O-Ring, Small	1
2	4-06540	Nozzle Only, 1/8" Soap	1
3	4-0111351A	Wand, Zinc, VP, w/ Coupler & Soap Nozzle	1
4	4-020650C	Hose 50' x 3/8" 100R1, w/Coupler	1
5	4-01226	Spray Gun Shut-off Series 2000	1

Ref. No.	Part No.	Description	Qty.
6	4-011184	Detergent, Injector, Non Adjust #3 (3-5 gpm)	1
7	2-1904	Strainer, 1/4" Hose Barb	1
8	2-2002	Coupler, 3/8" Female	1
	2-0121	▲ Quick Coupler O-Ring Large	1
9	2-9000	Clamp Screw #4	2
10	4-02080000	Tube 1/4"x1/2" Clear Vinyl /Ft.	6

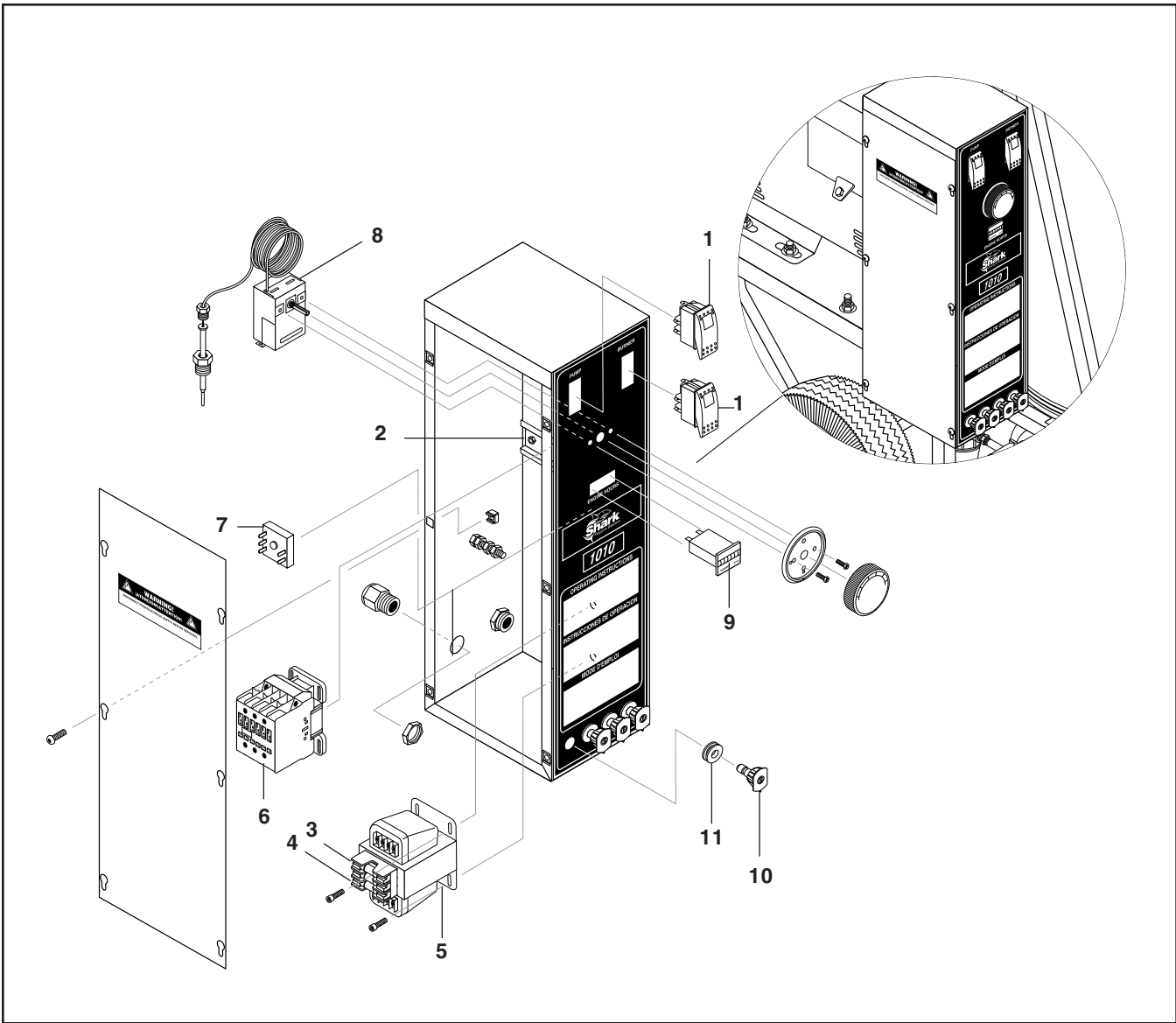
▲ Not Shown



**Figure 8 - Model 808, Control Panel**

Ref. No.	Part No.	Description	Qty.
1	6-02294	Fuse, KTK-R1 600V Midget (230V)	2
2	6-022970	Fuse, Paper, Buss FNM-1/2	1
3	6-020201	Switch, 3 Pos. 115V-230V 1 PH	1

Ref. No.	Part No.	Description	Qty.
4	4-12804500	Nozzle SAQCMEG 00045 (Red)	1
	4-12804515	Nozzle SAQCMEG 15045 (Yellow)	1
	4-12804525	Nozzle SAQCMEG 25045 (Green)	1
	4-12804540	Nozzle SAQCMEG 40045 (White)	1
5	2-0103	Grommet, Rubber Nozzle Holder	4
6	6-60101	Transformer 240/480V-120V, .050 KVA Micron	1
7	4-05088	Thermostat, Adjustable, 302°F	1



**Figure 9 - Model 1010, Control Panel**

Ref. No.	Part No.	Description	Qty.
1	6-020240	Switch, Rocker Carling w/Green Lens	2
	6-020241	Rocker Switch, Red Lens (Auto Start)	1
2	6-021595	Din Rail, 35 mm Purch by Ea. Sold by In.	4
3	6-02294	Fuse KTK-R1 600V	2
4	6-022970	Fuse, Paper, Buss, FNM-1/2	1
5	6-60101	Transformer, 240/480-120V .050KVA/Glass (A & B Models)	1
6	6-4018	Contactor CH, CE15HNS3AB09	1
	6-5015	▲ Overload 29-42 Amp CHC316KNA3C1	
7	6-036880	Timer, Solid State, 5-60 Minutes, Lockout	1
8	4-05088	Thermostat, General 302 DGR	1
9	4-050826	Hour Meter (Optional)	1

Ref. No.	Part No.	Description	Qty.
10	4-12804000	Nozzle SAQCMEG 0004 (Red)	1
	4-12804015	Nozzle SAQCMEG 1504 (Yellow)	1
	4-12804025	Nozzle SAQCMEG 2504 (Green)	1
	4-12804040	Nozzle SAQCMEG 4004 (White)	1
11	2-0103	Grommet Rubber Nozzle Holder	4

▲ Not Shown

## **BECKETT BURNER SPECIFICATIONS**

<b>Model No.</b>	<b>Burner Assy No.</b>	<b>Fuel Nozzle</b>	<b>Transformer</b>	<b>Burner Motor</b>	<b>Fuel/Pump Solenoid/Cord</b>	<b>Fuel Solenoid Coil</b>	<b>Electrode</b>
808	7-00090	7-0101	7-514021	7-21174	7-21844U	7-21755U	7-578727
1010	7-00090	7-01226	7-514021	7-21174	7-21844U	7-21755U	7-578727

## **WAYNE BURNER SPECIFICATIONS**

<b>Model No.</b>	<b>Burner Assy No.</b>	<b>Fuel Nozzle</b>	<b>Transformer</b>	<b>Burner Motor</b>	<b>Fuel/Pump Solenoid/Cord</b>	<b>Fuel Solenoid Coil</b>	<b>Electrode</b>
808	7-00039	7-0107	7-21948001	7-20892	7-0009	7-0009611	7-13286
1010	7-00024	7-0125	7-21153	7-20554	7-0009	7-0009611	7-13286