

DIAMOND
PRODUCTS

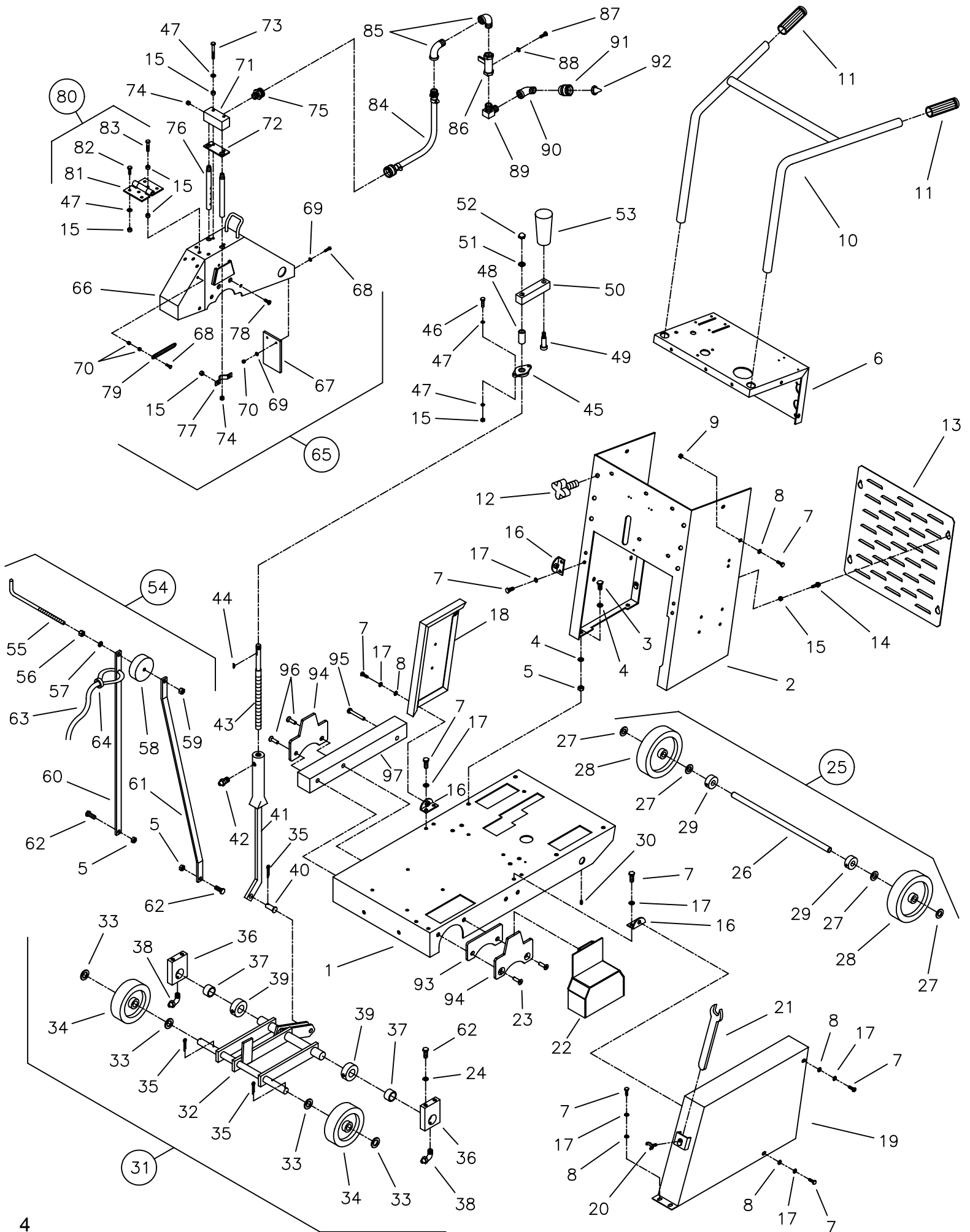
CONCRETE SAW
PARTS LIST

MODEL
CC1800

April 2005

Table of Contents

<u>Description</u>	<u>Page No.</u>
Frame Group.....	4 - 5
Engine Bladeshaft Group	6 - 7
Transmission Group.....	8 - 9
Options Group.....	10 - 11
Hydraulic Group.....	12 - 13
Water Pump Wiring Diagram.....	14
Notes.....	15
Warranty.....	16

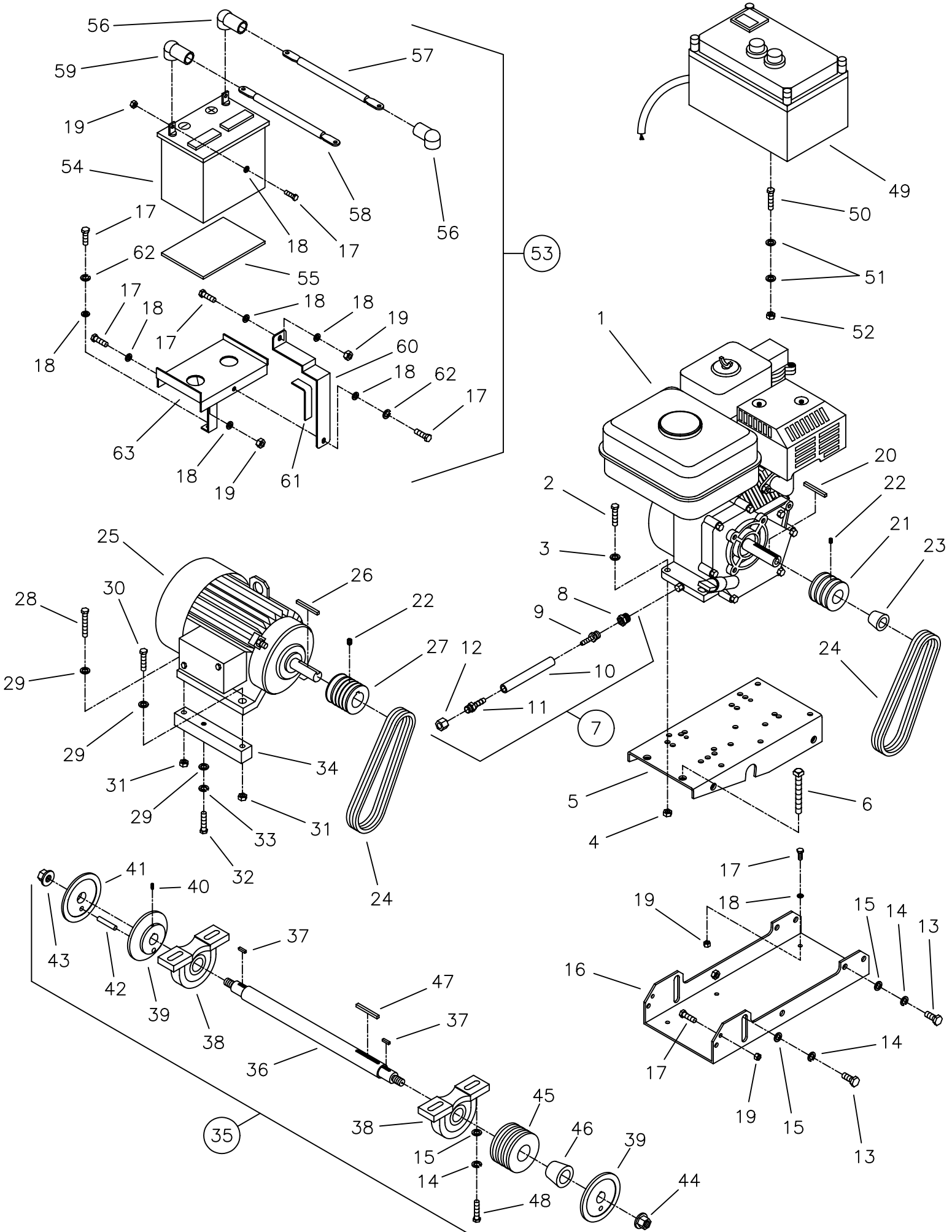


CC1800 PARTS LIST

Drawing I Frame Group

Diagram Number	Part No.	Qty. Req.	Description	Diagram Number	Part No.	Qty. Req.	Description
1	6048050	1	Frame Base	55	2900032	1	Pointer Rod, 3/8"-16
2	6048051	1	Frame Upright	56	2900033	1	Hex Nut, 3/8"-16
3	2900314	4	Capscrew, Hex Hd., M10 x 20mm	57	2900006	1	Lock Washer, 3/8" Split
4	2900014	8	Flat Washer, 3/8" SAE	58	2500624	1	Wheel, 3" Dia. with Bushing
5	2900304	6	Lock Nut, M10 Nylon	59	2900018	1	Lock Nut, 3/8"-16 Nylon
6	6048052	1	Control Panel	60	6048069	1	Pointer Bar, Straight
7	2900329	20	Capscrew, Hex Hd., M8 x 20mm	61	6048070	1	Pointer Bar, Offset
8	2900022	12	Flat Washer, 5/16" SAE	62	2900333	6	Capscrew, Hex Hd., M10 x 25mm
9	2900303	7	Lock Nut, M8 Nylon	63	6048078	1	Pointer Rope
10	6048058	1	Handle Bar	64	3200221	3	Rope Clamp
11	2500636	2	Handle Grip	65	6048912	1	14" Blade Guard Assembly
12	2900234	2	Handle Lock Knob, 3/8"-16				(Includes #15, #47, #66 - #83)
13	6048063	1	Rear Cover Screen		6048904	1	20" Blade Guard Assembly
14	2900328	4	Capscrew, Hex Flange Hd., M6 x 20mm				(Includes #15, #47, #66 - #83)
15	2900302	19	Lock Nut, M6 Nylon	66	6048911	1	14" Blade Guard Only
16	6048064	4	Guard Mounting Tab		6048905	1	20" Blade Guard Only
17	2900031	13	Lock Washer, 5/16" Split	67	6048039	1	Splash Flap
18	6048062	1	Slurry Shield	68	2900309	4	Capscrew, Hex Hd., M5 x 20mm
19	6048061	1	Belt Guard	69	2900016	4	Flat Washer, #10 USS
20	2900307	1	Wing Screw, M6 x 16mm	70	2900301	6	Lock Nut, M5 Nylon
21	2500256	1	Wrench, 1-1/16"	71	6048123	1	Manifold
22	6048906	1	Shaft Guard	72	2500829	1	Manifold Gasket
23	2900744	2	Capscrew, Flat Hd., M10 x 25mm	73	2900244	2	Capscrew, Hex Hd., M6 x 45mm
24	2900321	4	Lock Washer, M10 Split	74	3200001	3	Pipe Plug, 1/8" NPT
25	6048104	1	Rear Axle Assembly (Includes #26 - #30)	75	3200002	1	Fitting, 3/4" Male Garden Hose to 3/8" Male Pipe
26	6048105	1	Rear Axle Only	76	6048283	2	Water Tube for 14" Blade Guard
27	2900002	4	Flat Washer, 5/8" SAE		6010085	2	Water Tube for 20" Blade Guard
28	2500003	2	Wheel, 6" Dia.	77	6048155	2	Water Tube Clamp
29	2500008	2	Set Collar, 5/8" with Setscrew	78	2900308	4	Capscrew, Flat Hd., M6 x 16mm
30	2900056	2	Setscrew, Soc. Hd., 1/4"-20 x 1/4"	79	2500066	1	Spring, 3/8" Dia. x 3" for 14" Blade Guard
31	6048079	1	Front Axle Assembly (Includes #24, #32 - #39, #62)		2500067	1	Spring, 3/8" Dia. x 4" for 20" Blade Guard
32	6048056	1	Front Axle Weldment	80	6048026	1	Hinge Assembly for 14" Blade Guard (Includes #15, #47, #81 - #83)
33	2900003	4	Flat Washer, 3/4" SAE		6048027	1	Hinge Assembly for 20" Blade Guard (Includes #15, #47, #81, #82)
34	2500004	2	Wheel, 5" Dia.				
35	2900004	5	Cotter Pin, 1/8" x 1"	81	2500270	1	Hinge Only
36	6048073	2	Pivot Block with Bushing (Includes #37)	82	2900310	5	Capscrew, Hex Hd., M6 x 20mm (6 Req'd for 20" Blade Guard)
37	2500071	2	Brass Bushing Only				
38	2900061	2	Grease Fitting, 1/4"-28 x 90°	83	2900312	1	Capscrew, Hex Hd., M6 x 35mm
39	2500009	2	Set Collar, 1" with Setscrew	84	6048098	1	Hose Assembly
40	2900266	1	Clevis Pin, 1/2" Dia. x 1-1/4"	85	3200013	2	Street Elbow, 1/2" NPT 90°
41	6048119	1	Adjustment Shaft with Grease Fitting (Includes #42)	86	3200026	1	Water Valve
42	2900062	1	Grease Fitting, 1/8" NPT	87	2900021	2	Machine Screw, Round Hd., #10-24 x 3/8"
43	6048071	1	Adjustment Screw	88	2900038	2	Lock Washer, #10 Split
44	2900063	1	Woodruff Key #405, 1/8" Wide x 5/8" Dia.	89	3200166	1	Elbow, Male 1/2" NPT 90°
45	2500010	1	Flange Block Bearing, 1/2"	90	3200207	1	Street Elbow, 1/2" NPT 45°
46	2900311	2	Capscrew, Hex Hd., M6 x 25mm	91	3200022	1	Fitting, 1/2" Female Pipe to 3/4" Female Garden Hose
47	2900009	12	Flat Washer, 1/4" SAE	92	3200025	1	Filter Hose Washer
48	6048127	1	Spacer Tube	93	6048915	1	Tapered Guard Mount Spacer
49	2900012	1	Shoulder Screw, 1/2" Dia. x 1-1/4"	94	6048908	2	Tapered Guard Mount Spacer
50	6048128	1	Handle Base	95	2900908	1	Cap Screw, Flat Hd., M10 x 80mm
51	2900084	1	Lock Washer, 1/2" Split	96	2900908	2	Cap Screw, Flat Hd., M10 x 80mm (Electric Saws Only)
52	2900011	1	Acorn Nut, 1/2"-13		2901010	2	Cap Screw, Flat Hd, M10 x 35mm
53	2500072	1	Screw Feed Handle	97	6048319	1	Blade Guard Spacer
54	6048080	1	Pointer Assembly (Includes #5, #55 - #64)				

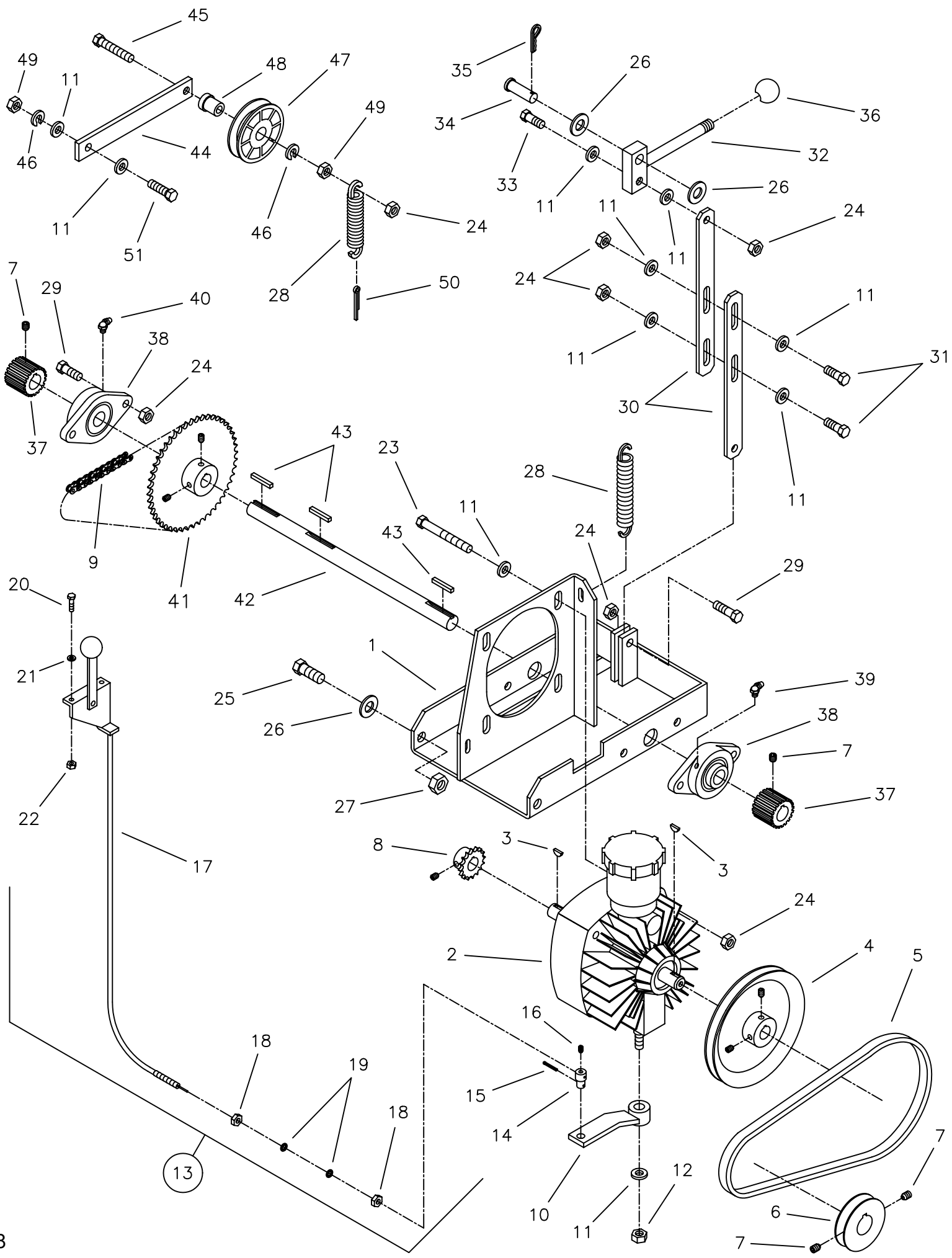




CC1800 PARTS LIST
Drawing II
Engine Bladeshaft Group

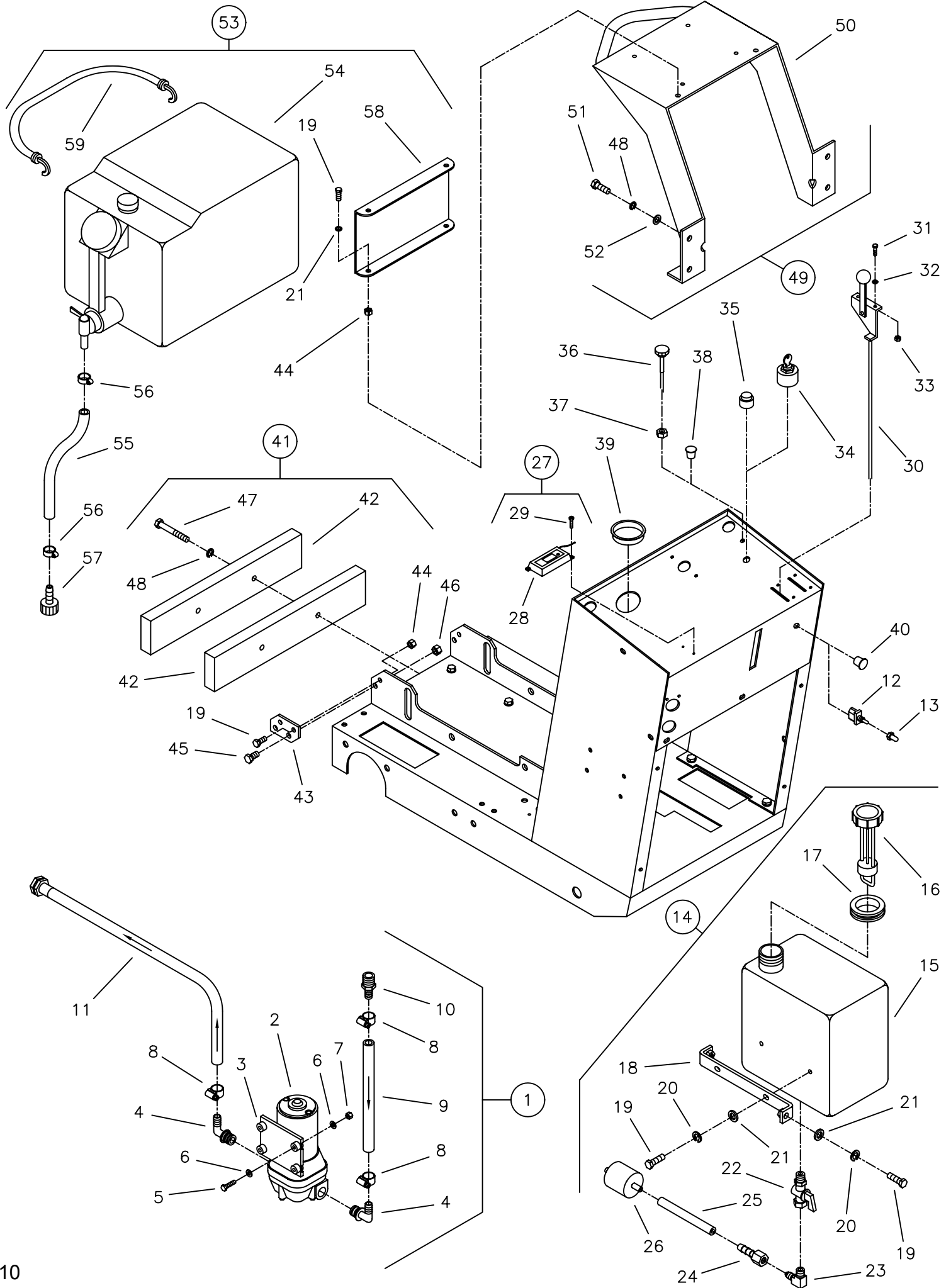
Diagram Number	Part No.	Qty. Req.	Description	Diagram Number	Part No.	Qty. Req.	Description
1	2600173	1	Engine, 13HP Briggs Vanguard (13BV)	24	2500035	3	V-Belt, 3VX335 (For 13BV, 13H)
	2600116	1	Engine, 13HP Honda (13H)		2500036	3	V-Belt, 3VX355 (For 14KC)
	2600013	1	Engine, 16HP Briggs Vanguard (16BV)		2500036	4	V-Belt, 3VX355 (For 16BV, 18BV, 20BV, 20H)
	2600181	1	Engine, 20HP Briggs Vanguard (20BV)		2500037	4	V-Belt, 3VX375 (For 7.5E, 10E, 16KM, 20KC)
	2600161	1	Engine, 20HP Honda (20H)	25	2600186	1	Electric Motor, 7.5HP - 1 Phase 230 Volt, Baldor (7.5E)
2	2900005	4	Capscrew Hex Hd., 3/8"-16 x 1" (For 14KC)		2600187	1	Electric Motor, 10HP - 3 Phase 230/460 Volt, Baldor (10E)
	2900336	4	Capscrew, Hex Hd., M8 x 45mm (For 16BV, 18BV, 20BV)	26	6048046	1	Key, 5/16" Sq. x 1-1/2"
	2900315	4	Capscrew, Hex Hd., M10 x 35mm (For 16KM)	27	6048049	1	Sheave, 2.65-3V-4 Groove/4L-1 Groove x 1-3/8"
	2900317	4	Capscrew, Hex Hd., M10 x 45mm (For 13BV, 13H, 20KC, 20H)	28	2900318	2	Capscrew, Hex Hd., M10 x 50mm
3	2900022	4	Flat Washer, 5/16" SAE (For 16BV, 18BV, 20BV)	29	2900014	6	Flat Washer, 3/8" SAE
	2900014	4	Flat Washer, 3/8" SAE (For 13BV, 13H, 14KC, 16KM, 20KC, 20H)	30	2900338	2	Capscrew, Hex Hd., M10 x 60mm
4	2900303	4	Lock Nut, M8 Nylon (For 16BV, 18BV, 20BV)	31	2900304	4	Lock Nut, M10 Nylon
	2900304	4	Lock Nut, M10 Nylon (For 13BV, 13H, 16KM, 20KC, 20H)	32	2900333	2	Capscrew, Hex Hd., M10 x 25mm
	2900006	4	Lock Washer, 3/8" Split (For 14KC)	33	2900321	2	Lock Washer, M10 Split
5	6048059	1	Engine Base	34	6048100	2	Motor Spacer
6	2900332	1	Setscrew, Sq. Hd., M12 x 100mm	35	6040501	1	Blade Shaft Ass'y For 13BV, 13H (Includes #14, #15, #36 - #48)
7	6048040	1	Oil Drain Hose Assembly for 14KC, 16BV, 18BV, 20BV, 20KC (Includes #9 - #12)		6040502	1	Blade Shaft Ass'y For 16BV, 18HY, 20BV, 20H (Includes #14, #15, #36 - #48)
	6048041	1	Oil Drain Hose Assembly for 16KM (Includes #8 - #12)		6040503	1	Blade Shaft Ass'y For 7.5E, 10E (Includes #14, #15, #36 - #48)
	6048042	1	Oil Drain Hose Assembly for (Includes #9 - #12)	36	6048865	1	Blade Shaft For 7.5E, 10E
	6048043	1	Oil Drain Hose Assembly for 13BV, 20H (Includes #9 - #12)		6048866	1	Blade Shaft
8	3200071	1	Reducer, 3/4" Male Pipe to 3/8" Female Pipe (For 16KM Only)	37	6048018	2	Key, 3/16" Sq. x 3/4"
9	3200070	1	Fitting, 3/8" Male Pipe to 1/4" Push Lock (For 14KC, 16KM, 16BV, 18BV, 20BV, 20KC)	38	2500365	2	Pillow Block Bearing, 1-1/4"
	3200092	1	Fitting, M12 x 1.5mm Male to 1/4" Push Lock (For 13H)	39	6048008	2	Inner Flange, 4-1/2"
	3200093	1	Fitting, M14 x 1.5mm Male to 1/4" Push Lock (For 13BV, 20H)	40	2900076	2	Setscrew, Soc. Hd., 1/4"-20 x 1/2"
10	6048044	1	Oil Drain Hose, 1/4" I.D.	41	6048009	1	Outer Flange, 4-1/2" with Pin (Includes #42)
11	3200040	1	Fitting, 1/4" Male JIC to 1/4" Push Lock	42	2900067	1	Drive Pin, 3/8" Dia. x 1-1/4"
12	3200006	1	Cap, 1/4" JIC	43	2900066	1	Flange Nut, 5/8"-11 Left Hand
13	2900330	4	Capscrew, Hex Hd., M12 x 30mm	44	2900065	1	Flange Nut, 5/8"-11 Right Hand
14	2900084	8	Lock Washer, 1/2" Split	45	2500025	1	Sheave, 3.65-3 Groove (For 13BV, 13H, 14KC)
15	2900058	8	Flat Washer, 1/2" SAE		2500621	1	Sheave, 3.65-4 Groove (For 7.5E, 10E, 16KM, 16BV, 18BV, 20BV, 20KC, 20H)
16	6048060	1	Engine Base Mount	46	2500337	1	Taper Bushing, 1-1/4" with Setscrews
17	2900329	15	Capscrew, Hex Hd., M8 x 20mm	47	6010169	1	Key, 1/4" Sq. x 1-1/4"
18	2900022	16	Flat Washer, 5/16" SAE	48	2900331	4	Capscrew, Hex Hd., M12 x 40mm
19	2900303	13	Lock Nut, M8 Nylon	49	6048355	1	Starter Box Assembly For 1 Phase Motor
20	6048134	1	Key, 1/4" Sq. x 2-1/4"		6048300	1	Starter Box Assembly For 3 Phase Motor
	6011089	1	Key, 1/4" Sq. x 1" (For 16KM, 20H Only)	50	2900311	4	Capscrew, Hex Hd., M6 x 25mm
	6048097	1	Key, 3/8" Sq. x 1-3/4" (For 20KC Only)	51	2900009	8	Flat Washer, 1/4" SAE
21	2500022	1	Sheave, 2.65-3 Groove (For 13BV, 13H, 14KC)	52	2900302	4	Lock Nut, M6 Nylon
	2500620	1	Sheave, 2.65-4 Groove (For 16KM, 16BV, 18BV, 20BV, 20H)	53	6048099	1	Battery Assembly (Includes #17 - #19, #54 - #63)
	6048090	1	Sheave, 2.65-3V-4 Groove/4L-1 Groove x 1-7/16" (For 20KC)	54	2500584	1	Battery, 12 Volt, 250 CCA, Wet Cell
22	2900036	3	Setscrew, Soc. Hd., 5/16"-18 x 1/4" (For 7.5E, 10E, 20KC)	55	6048093	1	Battery Pad
23	2500026	1	Taper Bushing, 1" with Setscrews	56	2800197	2	Battery Boot (Red)
	2500027	1	Taper Bushing, 1-1/8" with Setscrews and Rectangular Key (For 16KM, 20H Only)	57	6048091	1	Battery Cable, Positive (Red)
				58	6048103	1	Battery Cable, Positive (Red) For 20KC Only
				59	6048092	1	Battery Cable, Negative (Black)
				60	2800198	1	Battery Boot (Black)
				61	6048055	1	Battery Strap (Includes #61)
				62	2900031	2	Lock Washer, 5/16" Split
				63	6048054	1	Battery Holder Weldment





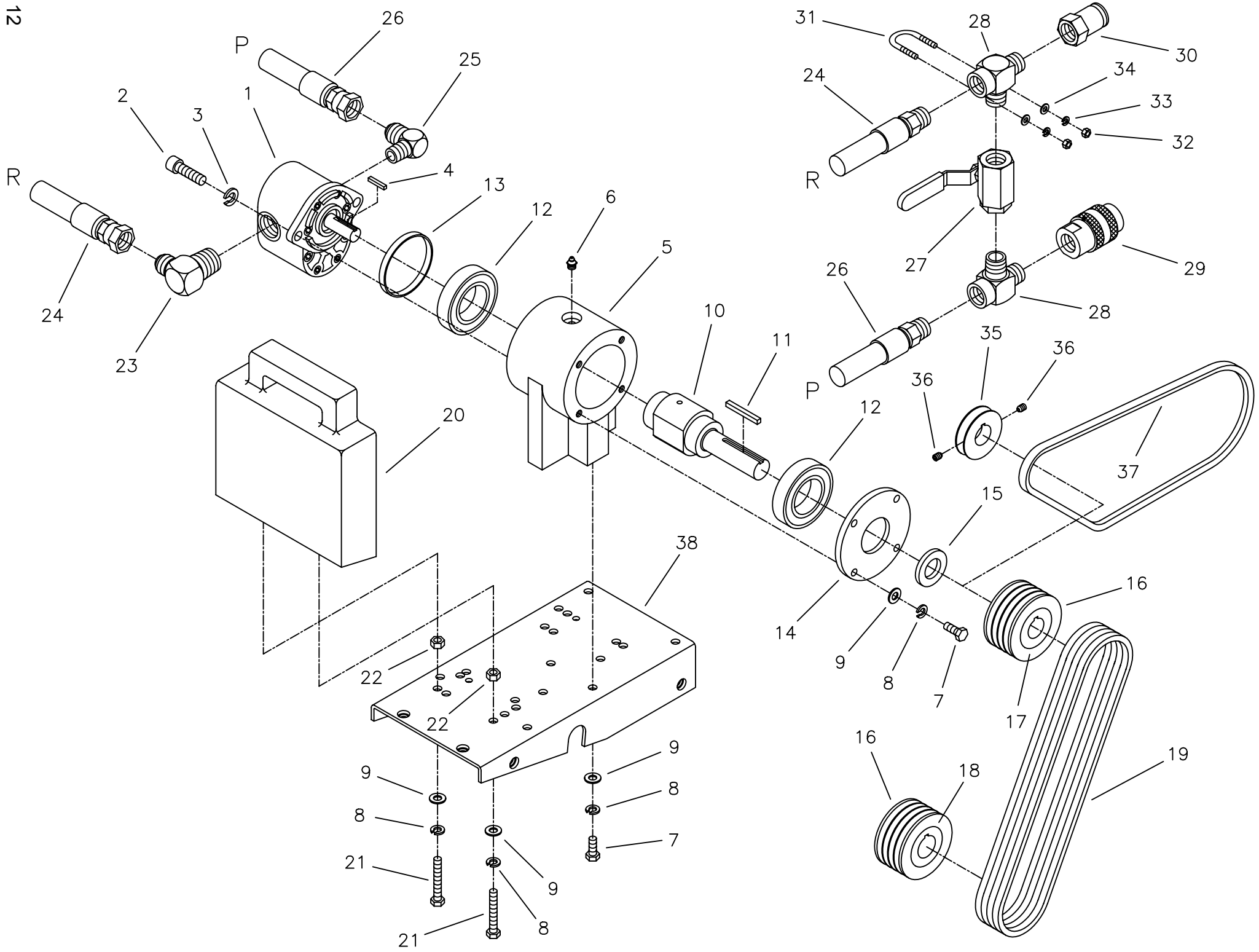
CC1800 PARTS LIST
Drawing III
Transmission Group

Diagram Number	Part No.	Qty. Rea.	Description	Diagram Number	Part No.	Qty. Rea.	Description
1	6048066	1	Transmission Platform Weldment	24	2900304	13	Lock Nut, M10 Nylon
2	2600015	1	Transmission	25	2900330	2	Capscrew, Hex Hd., M12 x 30mm
	2700523	1	(Oil Reservoir Only)	26	2900058	4	Flat Washer, 1/2" SAE
3	2900068	2	Woodruff Key #404, 1/8" Wide x 1/2" Dia.	27	2900327	2	Lock Nut, M12 Nylon
4	2500016	1	Pulley, 6" Dia. with Setscrews	28	2500070	2	Spring, 3/4" Dia. x 4"
5	2500632	1	V-Belt, 4L-410 (14KC, 16KM, 16BV, 18BV, 20BV, 20KC, 20H)	29	2900223	5	Capscrew, Hex Hd., M10 x 30mm
	2500635	1	V-Belt, 4L-420 (7.5E, 10E)	30	6048065	2	Linkage
	2500033	1	V-Belt, 4L-430 (13BV, 13H)	31	2900333	2	Capscrew, Hex Hd., M10 x 25mm
6	6048196	1	Accessory Drive Pulley, 1" Bore (13BV, 13H, 14KC, 16BV, 18BV, 20BV)	32	6048057	1	Engagement Lever
	6048195	1	Accessory Drive Pulley, 1-1/8" Bore (For 16KM, 20H Only)	33	2900315	1	Capscrew, Hex Hd., M10 x 35mm
				34	2900277	1	Clevis Pin, 1/2" Dia. x 1-1/2"
				35	2900276	1	Hair Pin Cotter, 1/2"
				36	2400007	1	Knob, 1/2"-20
7	2900036	4	Setscrew, Soc. Hd., 5/16"-18 x 1/4"	37	6048235	2	Wheel Drive
8	2500017	1	Sprocket, 12 Teeth with Setscrew	38	2500011	2	Flange Block Bearing, 3/4"
9	6048232	1	#35 Chain, 63 Pitch	39	2900061	1	Grease Fitting, 1/4"-28 x 90°
10	6048211	1	Shift Lever	40	2900184	1	Grease Fitting, 1/4"-28 x 45°
11	2900014	13	Flat Washer, 3/8" SAE	41	2500018	1	Sprocket, 48 Teeth with Setscrews
12	2900018	1	Lock Nut, 3/8"-16 Nylon	42	6048228	1	Drive Shaft
13	6048106	1	Transmission Speed Control Assembly (Includes #14 - #22)	43	6048229	3	Key, 3/16" Sq. x 1-1/4"
				44	6048085	1	Idler Arm
14	6048212	1	Pivot Pin	45	2900337	1	Capscrew, Hex Hd., M10 x 50mm (Full Thread)
15	2900034	1	Cotter Pin, 3/32" x 3/4"				
16	2900059	1	Setscrew, Soc. Hd., #10-32 x 1/4"	46	2900321	2	Lock Washer, M10 Split
17	2500076	1	Transmission Speed Control	47	2500074	1	Idler Pulley With Bushing (Includes #48)
18	2900186	2	Hex Nut, 1/4"-28				
19	2900009	2	Flat Washer, 1/4" SAE	48	2500246	1	Bushing Only
20	2900309	2	Capscrew, Hex Hd., M5 x 20mm	49	2900325	2	Hex Nut, M10
21	2900016	2	Flat Washer, #10 USS	50	2900055	1	Cotter Pin, 3/16" x 1"
22	2900301	2	Lock Nut, M5 Nylon	51	2900317	1	Capscrew, Hex Hd., M10 x 45mm
23	2900319	4	Capscrew, Hex Hd., M10 x 80mm				



CC1800 PARTS LIST
Drawing IV
Options Group

Diagram Number	Part No.	Qty. Req.	Description	Diagram Number	Part No.	Qty. Req.	Description
1	6048076	1	Water Pump Kit (Includes #2 - #13)	33	2900301	2	Lock Nut, M5 Nylon
2	2600200	1	Water Pump, 12 Volt Diaphragm (Includes #3, #4)	34	2700185	1	Ignition Switch With Key For 20BV
3	2701784	4	Rubber Spacer		2700892	1	Ignition Switch With Key For 20KC
4	2701694	2	Port Fitting 90° With O-Ring		2700430	1	Ignition Switch With Key For 20H
5	2900311	4	Capscrew, Hex Hd., M6 x 25mm	35	2800001	1	Push Button Stop Switch
6	2900009	8	Flat Washer, 1/4" SAE				(For 13BV, 13H, 14KC, 16KM, 16BV, 18BV)
7	2900302	4	Lock Nut, M6 Nylon	36	2500377	1	Choke Cable
8	3200016	3	Hose Clamp #8	37	2900148	1	Hex Nut, 3/8"-24
9	6048095	1	Inlet Hose, 1/2" I.D.	38	2500462	1	Plug, 3/8" Hole
10	3200020	1	Fitting, 1/2" Male Pipe to 1/2" Hose Barb	39	2500631	1	Plug, 2-1/4" Hole
11	6048167	1	Outlet Hose Assembly, 1/2" I.D.	40	2500204	1	Plug, 1/2" Hole
12	2800062	1	Toggle Switch	41	6048083	1	Weight Kit (Includes #19, #42 - #48)
13	2800063	1	Switch Boot	42	6048067	2	Weight Bar (13 lbs. each)
14	6048089	1	Fuel Tank Kit (Includes #15 - #25)	43	6048068	2	Pointer Extension
15	2500628	1	Fuel Tank (For 20HP Engines)	44	2900303	4	Lock Nut, M8 Nylon
16	2500622	1	Fuel Tank Cap With Gauge	45	2900333	2	Capscrew, Hex Hd., M10 x 25mm
17	2500623	1	Fuel Tank Grommet	46	2900304	2	Lock Nut, M10 Nylon
18	6048053	2	Fuel Tank Mount	47	2900334	2	Capscrew, Hex Hd., M10 x 70mm
19	2900329	12	Capscrew, Hex Hd., M8 x 20mm	48	2900321	6	Lock Washer, M10 Split
20	2900031	8	Lock Washer, 5/16" Split	49	6048087	1	Frame Lift Kit (Includes #48 - #52)
21	2900022	10	Flat Washer, 5/16" SAE	50	6048047	1	Frame Lift Only
22	3200108	1	Fuel Shut-off Valve	51	2900314	4	Capscrew, Hex Hd., M10 x 20mm
23	3200057	1	Elbow, 1/4" Male Pipe to 1/4" JIC	52	2900014	4	Flat Washer, 3/8" SAE
24	3200091	1	Fitting, 1/4" Female JIC to 1/4" Push Lock	53	6048086	1	Water Tank Kit
25	6048096	1	Fuel Line Hose, 1/4" I.D.				(Includes #19, #21, #44, #54 - #59)
26	2500201	1	Fuel Filter With Clamps (For 20H)	54	2500578	1	Water Tank Only
27	6048088	1	Tach/Hour Meter Kit (Includes #28, #29)	55	6048161	1	Water Hose, 3/8" I.D. Clear
28	2800120	1	Tach/Hour Meter Only	56	3200062	2	Hose Clamp #4
29	2701785	2	Screw, Self-Tapping, #6 x 3/8"	57	3200084	1	Fitting, 3/4" Female Garden to 3/8" Hose Barb
30	2500810	1	Throttle Control	58	6048048	1	Water Tank Brace Plate
31	2900309	2	Capscrew, Hex Hd., M5 x 20mm	59	2500586	1	Tiedown, Elastic 24"
32	2900016	2	Flat Washer, #10 USS				



CC1818HY PARTS LIST
Drawing I

Diagram Number	Part No.	Qty. Req.	Description	Diagram Number	Part No.	Qty. Req.	Description
1	2600062	1	Hydraulic Motor, Danfoss 1.16 cu. Inch	20	6048255	1	Weight, Cast Iron (46 lbs.)
	2600063	1	Hydraulic Motor, Danfoss 1.55 cu. Inch	21	2900521	2	Tap Bolt, Hex Hd., 3/8"-16 x 2-1/2"
	2600064	1	Hydraulic Motor, Danfoss 1.94 cu. Inch	22	2900033	2	Hex Nut, 3/8"-16
2	2900119	2	Capscrew, Soc. Hd., 1/2"-13 x 1-3/4"	23	3200086	1	Elbow, Male, 3/4" JIC to 3/4" Pipe
3	2900084	2	Lock Washer, 1/2" Split				(for 1.16 cu. Inch motor)
4	6048229	1	Key, 3/16" Sq. x 1-1/4"		3200111	1	Elbow, Male, 3/4" JIC to 1" Pipe
5	6048115	1	Hydraulic Pillow Block				(for 1.55 and 1.94 cu. inch motor)
6	2900062	1	Grease Fitting, 1/8" NPT	24	6048136	1	Hose, 3/4" Return
7	2900005	8	Capscrew, Hex. Hd., 3/8"-16 x 1"	25	3200110	1	Elbow, Male 3/4" JIC to 1/2" Pipe
8	2900006	10	Lock Washer, 3/8" Split	26	6048135	1	Hose, 3/4" Return
9	2900014	10	Flat Washer, 3/8" SAE	27	3200005	1	Valve 3/4" Ball
10	6048116	1	Hydraulic Spindle Shaft	28	3200083	2	Tee, 3/4" Pipe Run
11	6048134	1	Key, 1/4" Sq. x 2-1/4"	29	3200100	1	Coupler, 3/4" Q.D.
12	2500686	2	Bearing, 50mm x 90mm x 20mm	30	3200101	1	Nipple, 3/4" Q.D.
13	4699901	1	Shim	31	2900369	2	U-Bolt, 3/4" Pipe
14	6048117	1	Seal Plate	32	2900125	4	Hex Nut, 1/4"-20
15	3200004	1	Seal, 1-1/8" x 2" x 1/4"	33	2900024	4	Lock Washer, 1/4" Split
16	2500621	2	Sheave, 3.65-4 Groove	34	2900009	4	Flat Washer, 1/4" SAE
17	2500031	1	Taper Bushing, 1-1/8"	35	6048195	1	Assessory Drive Pulley, 1-1/8" Bore
18	2500337	1	Taper Bushing, 1-1/4"	36	2900036	2	Setscrew, Soc. Hd., 5/16"-18 x 1/4"
19	2500037	4	V-Belt, 3VX375	37	2500632	1	V-Belt, 4L-410
				38	(REF)	1	Engine Base

WATER PUMP WIRING DIAGRAM

