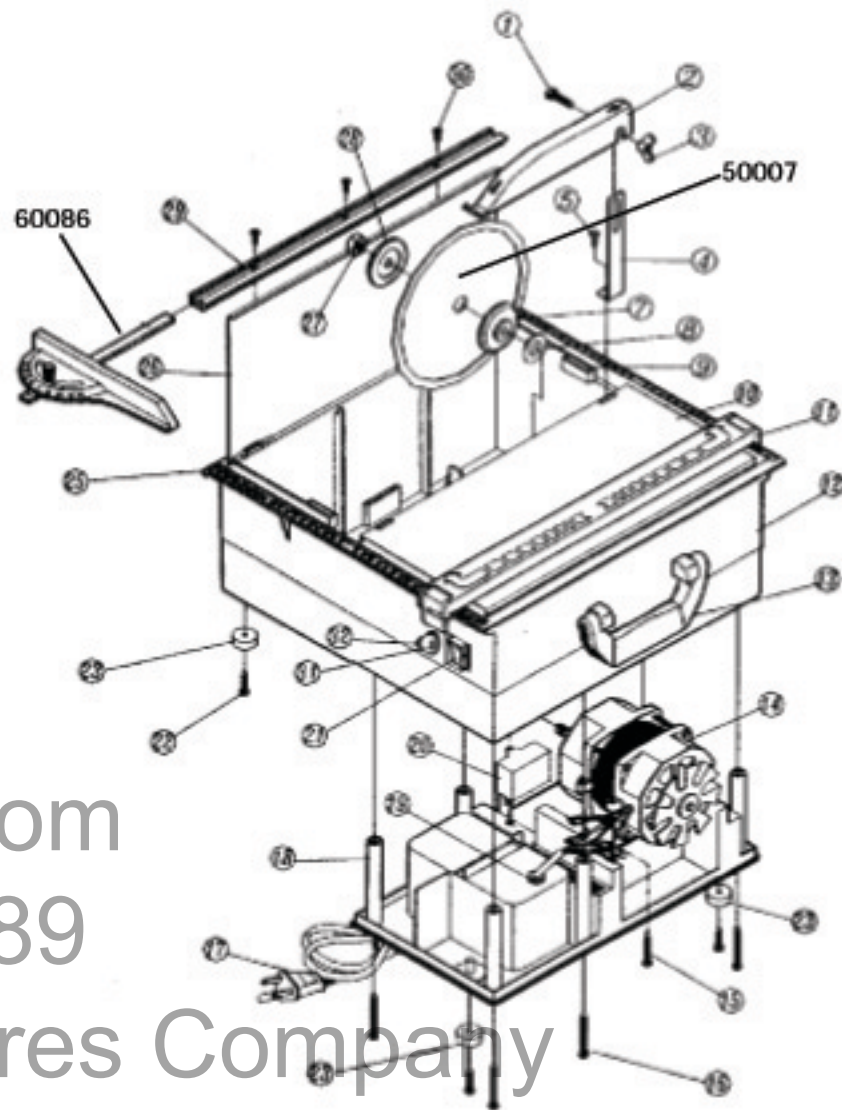




No. 60085 7" Tile Wet Saw

ORDER NO.	DESCRIPTION
60085*	Box
60085-01	Screw for Wing Nut
60085-02	Blade Guard
60085-03	Wing Nut
60085-04	Guard Support
60085-05	Guard Support Screw
60085-06	Wrench (Not Shown)
60085-07	Inner Washer
60085-08	Rubber Ring
60085-09	Magnet
60085-10	Adjustable Right Cutting Table
60085-11	Tile Guide
60085-12	Frame
60085-13	Carry Handle Folding
60085-14	Motor
60085-15	Motor Screw (4)
60085-16	Motor Bottom Base Screw
60085-17	Electrical Cord
50085-18	Motor Bottom Base
60085-19	Electrical Cord Fixed Head
60085-20	Capacitor
60085-21	Waterproof Switch
60085-22	Screw for Rubber Stand
60085-23	Rubber Stand Foot
60085-25	Ruler Guide Sticker
60085-26	Left Cutting Table
60085-27	Blade Lock Nut
60085-28	Outer Washer
60085-29	Sliding Track for Angle Guide
60085-30	Sliding Track Screw (2)
60085-31	Automatic Overload Switch
60085-32	Cover for Overload Switch
60086	Angle Guide - 7" Tile Saw
6-7003CR	7" Continuous Wet Rim Blade



QEPParts.com

888-634-4289

AntBuy Stores Company