

FIGURE 1 - PARTS LIST: MK-CX3 CONC SAW W/GX160H - P/N 159345

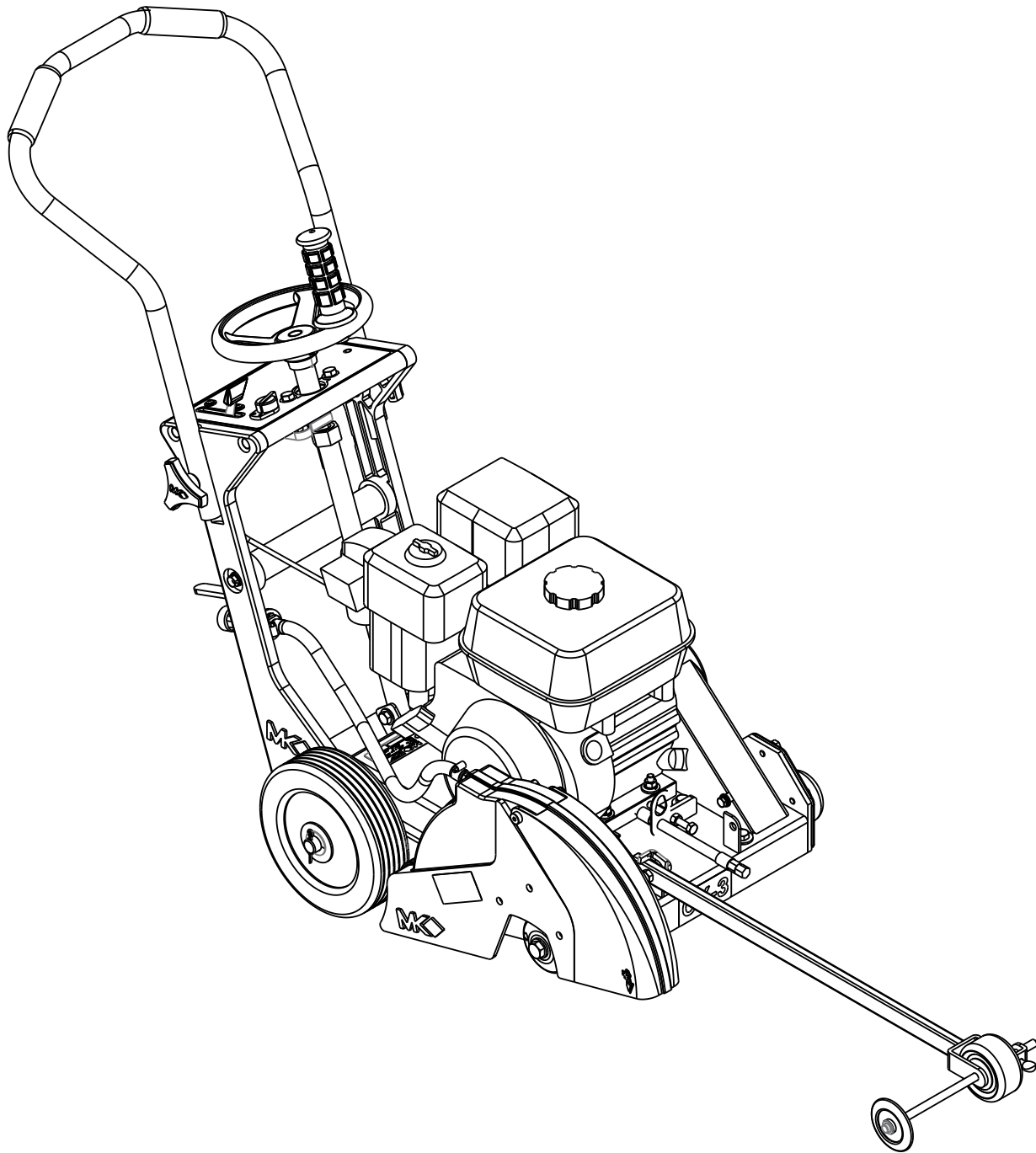


FIGURE 2 - PARTS LIST: MK-CX3 CONC SAW W/GX160H - P/N 159345

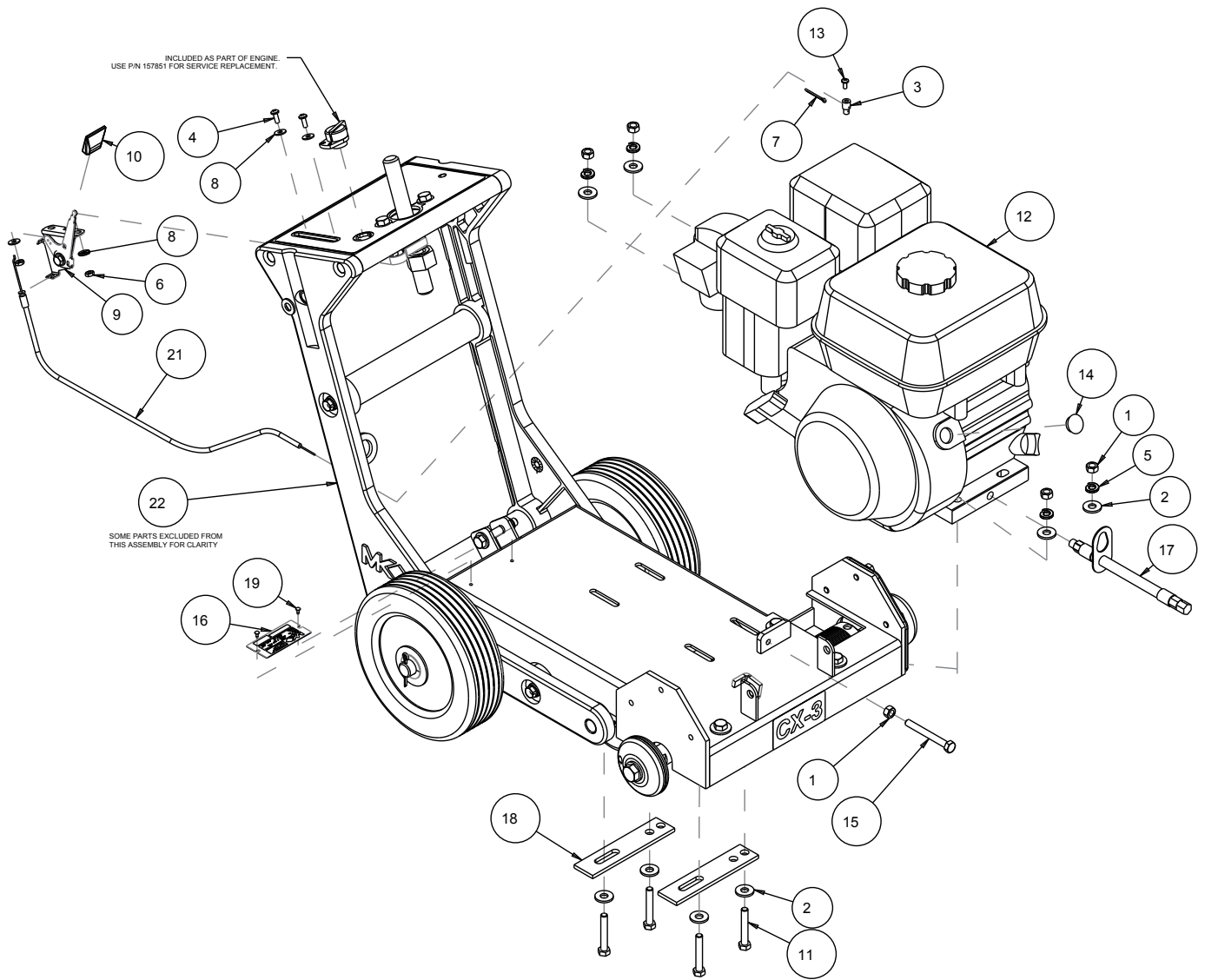


FIGURE 2 - PARTS LIST: MK-CX3 CONC SAW W/GX160H - P/N 159345

ITEM NO.	DESCRIPTION	PART #	QTY.
1	NUT, HEX, 5/16-18	101196	5
2	WASHER, 5/16 FLAT CUT	101352	8
3	PIN, THROTTLE CONTROL	151284	1
4	SCREW, 10-24 X 1/2 PAN HEAD	151744	2
5	WASHER, LOCK, SPLIT, 5/16	151747	4
6	NUT, HEX, 10 -24	151749	2
7	PIN, 1/16 X 3/4 COTTER	152518	1
8	WASHER, #10 SAE FLAT	154369	4
9	HEAD, THROTTLE CONTROL	155406-1	1
10	KNOB, THROTTLE PADDLE	155406-2	1
11	SCREW, 5/16-18 X 2 HEX HEAD	155494	4
12	ENGINE, HONDA GX160 W/CYC	156282	1
13	SCREW, 8-32 X 3/8 PAN HEAD PHILLIPS	156614	1
14	PLUG, HOLE PLASTIC 3/4"	156615	1
15	BOLT, 5/16-18 X 2-3/4 HEX HEAD TAP	156974	1
16	TAG, SERIAL #, BLANK	157500	1
17	ASSY, OIL DRAIN, 10MM	157577-01	1
18	PLATE, ENGINE BOLT	157847	2
19	DRIVE SCREW, #7 X 5/16 ROUND HEAD	157849	2
20	WIRE HARNESS, CX3	158232	1
21	CABLE, THROTTLE, HONDA	159479	1
22	MK-CX3 LESS ENGINE	165974	1

FIGURE 3 - PARTS LIST: MK-CX3 CONC SAW W/GX160H - P/N 159345

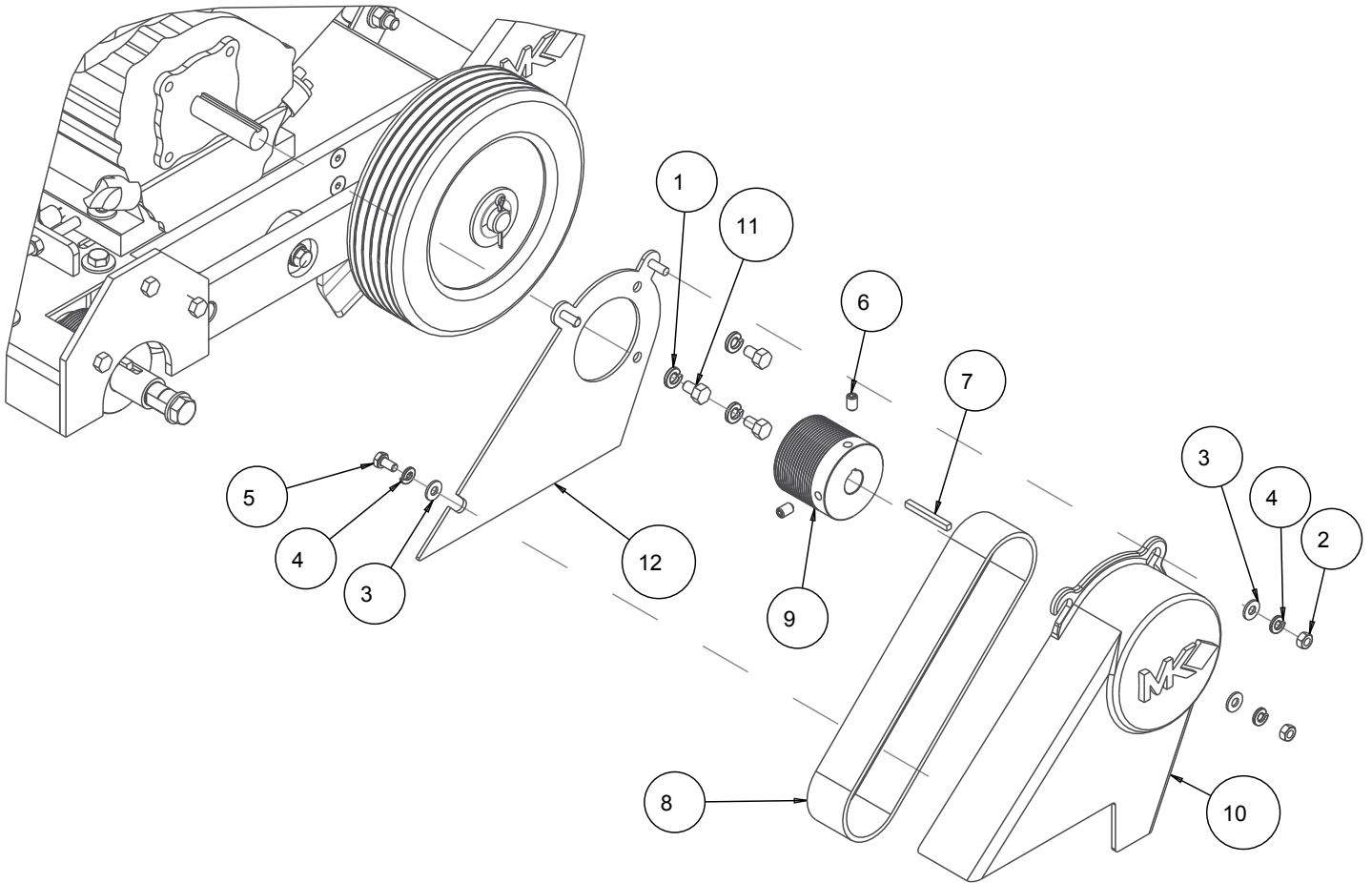


FIGURE 3 - PARTS LIST: MK-CX3 CONC SAW W/GX160H - P/N 159345

ITEM NO.	DESCRIPTION	PART #	QTY.
1	WASHER, 5/16 SPLIT LOCK	151747	3
2	NUT, 1/4-20 HEX	151893	2
3	WASHER, 1/4 SAE FLAT	151915	3
4	WASHER, 1/4 SPLIT LOCK	152591	3
5	SCREW, 1/4-20 X 1/2 HEX HEAD	152608	1
6	SCREW, 1/4-20 X 1/2 SOCKET HEAD SET	157084	2
7	KEY, 3/16 X 3/16 X 1-3/4	157561	1
8	BELT, MICRO-V, 240J16	158824	1
9	PULLEY, 16J25 X .75 BORE	158959	1
10	CASTING, BELT GUARD, CX-3 COMP	159021	1
11	SCREW, 5/16-24 X 1/2 HEX HEAD MACHINE	159205	3
12	GUARD, INNER BELT	159250	1

FIGURE 4 - PARTS LIST: MK-CX3 LESS ENGINE - P/N 165974

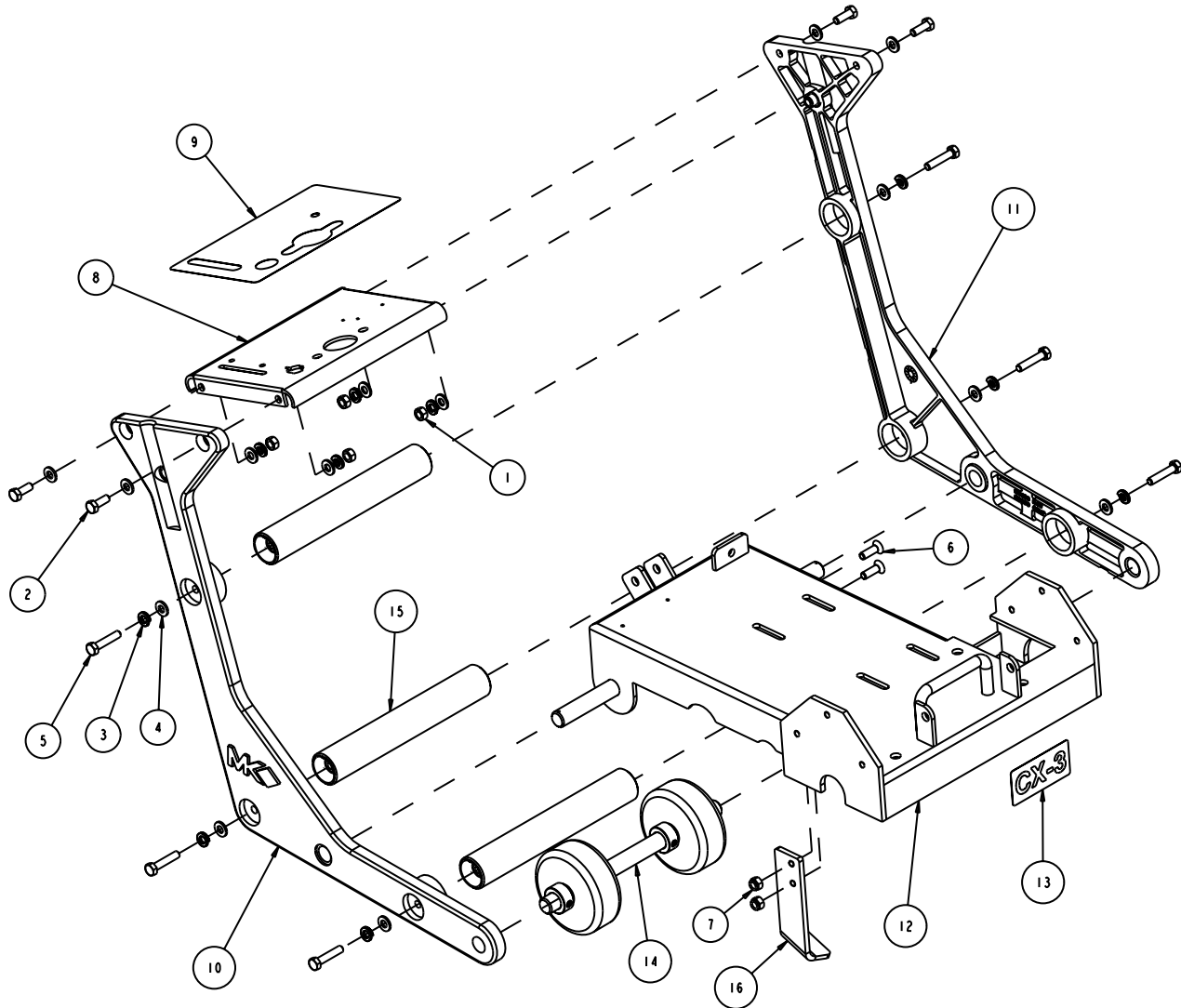


FIGURE 5 - PARTS LIST: MK-CX3 LESS ENGINE - P/N 165974

ITEM NO.	DESCRIPTION	PART #	QTY.
1	NUT, 5/16-18 HEX	101196	4
2	SCREW, 5/16-18 X 1 HEX HEAD MACHINE	151743	4
3	WASHER, 5/16 SPLIT LOCK	151747	10
4	WASHER, 5/16 SAE FLAT	151754	14
5	SCREW, 5/16-18 X 1-1/2 HEX HEAD MACHINE	152467	6
6	SCREW, 5/16-18 X 1.0 FLAT HEAD SOCKET	155552	2
7	NUT, 5/16-18 NYLOK HEX	158289	2
8	CONSOLE, FRAME	158828	1
9	LABEL, CONSOLE, CX3	159208	1
10	CASTING, FRAME, RIGHT CX3-COMP	159257	1
11	CASTING, FRAME, LEFT CX3-COMP	159259	1
12	TRUCK, CX3	159260	1
13	LABEL, CX3	159482	1
14	ASSY, FRONT AXLE	165975	1
15	ASSY, FRAME SUPPORT	165978	3
16	BRACKET, UP STOP	165998	1

FIGURE 5 - PARTS LIST: MK-CX3 LESS ENGINE - P/N 165974

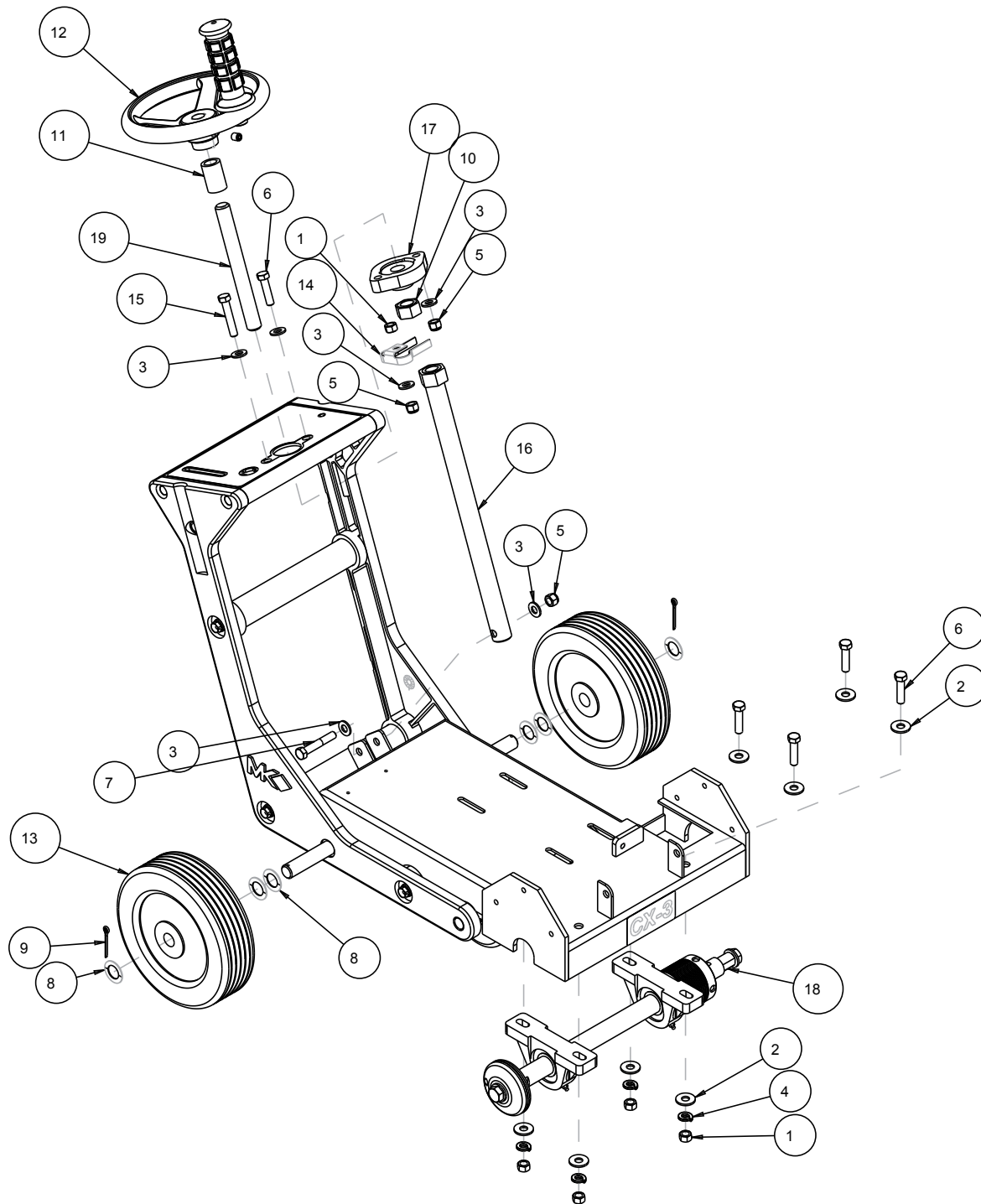


FIGURE 5 - PARTS LIST: MK-CX3 LESS ENGINE - P/N 165974

ITEM NO.	DESCRIPTION	PART #	QTY.
1	NUT, 3/8-16 HEX	101188	5
2	WASHER, FLAT CUT 3/8	101360	8
3	WASHER, 3/8 SAE FLAT	150923	6
4	WASHER, 3/8 SPLIT LOCK	150925	4
5	NUT, 3/8-16 NYLOK HEX	152505	3
6	SCREW, 3/8-16 X 1-1/2 HEX HEAD	153528	5
7	SCREW, 3/8-16 X 2-1/4 HEX HEAD	153529	1
8	SHIM, .045 THK .750 ID 1.250 OD	153699	6
9	PIN, COTTER 1/8 X 1 1/2	153861	2
10	NUT, 3/4-10 HEX	155063	1
11	SPACER, DEPTH CONTROL	155161	1
12	ASSY, CRANK WHEEL, 3/4-10	155457	1
13	WHEEL, REAR 8"	155986	2
14	SPRING, DETENT	156609	1
15	SCREW, 3/8-16 X 2 HEX HEAD	156829	1
16	TUBE, DEPTH CTRL, 3/4-10	165970	1
17	BEARING, FLANGE, 3/4ID, FD204	165971	1
18	ASSY, BLADE SHAFT	165977	1
19	STUD, 3/4-10 X 7"	167980	1

FIGURE 6 - PARTS LIST: MK-CX3 LESS ENGINE - P/N 165974

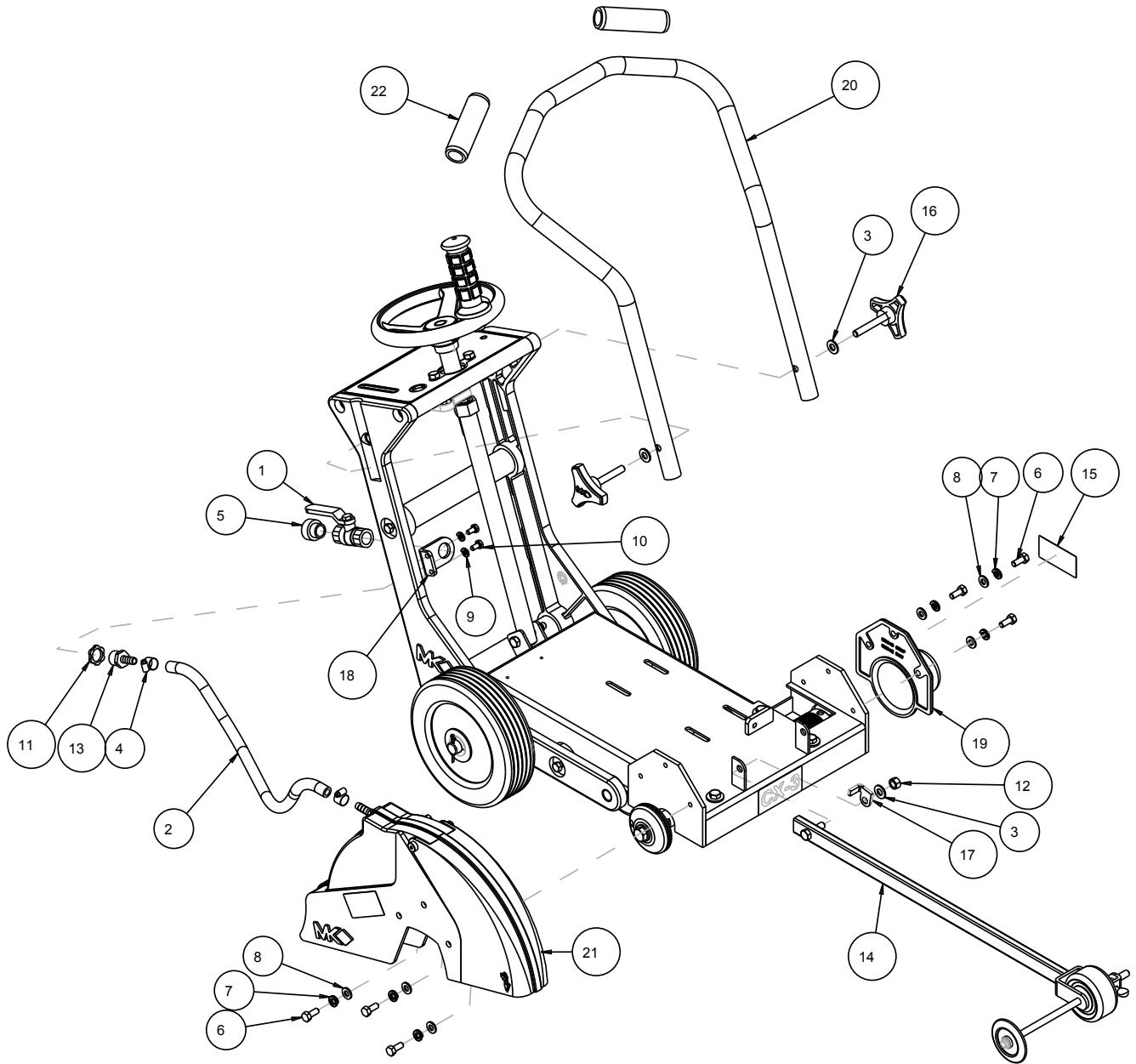
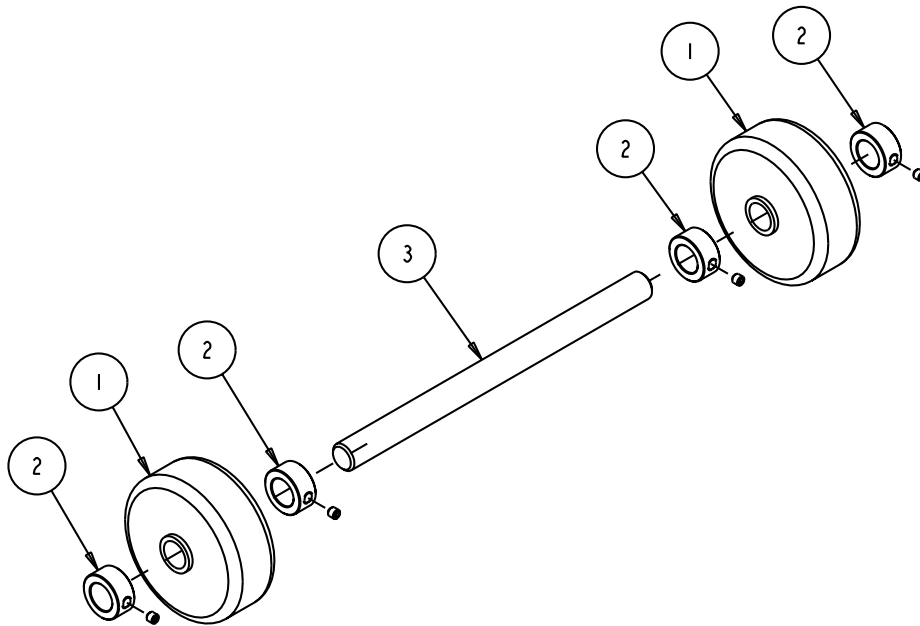


FIGURE 6 - PARTS LIST: MK-CX3 LESS ENGINE - P/N 165974

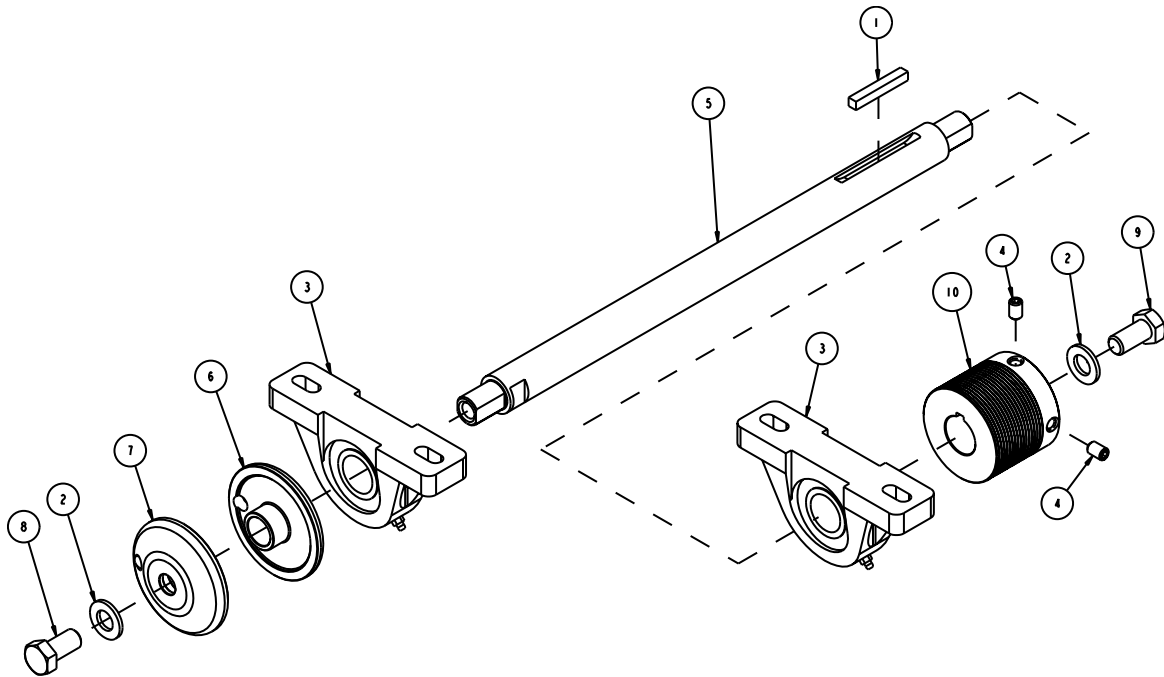
ITEM NO.	DESCRIPTION	PART #	QTY.
1	VALVE, BALL 1/2"	150843	1
2	HOSE, 3/8 X 5/8 VINYL, 30"	150845	1
3	WASHER, 3/8 SAE FLAT	150923	3
4	CLAMP, 5/8 HOSE	151198	2
5	FITTING, 1/2 MNPT X 3/4 FNH	151322	1
6	SCREW, 5/16-18 X 3/4 HEX HEAD	151369	6
7	WASHER, LOCK, SPLIT, 5/16	151747	6
8	WASHER, 5/16 SAE FLAT	151754	6
9	WASHER, 1/4 SPLIT LOCK	152591	2
10	SCREW, 1/4-20 X 1/2 HEX HEAD	152608	2
11	NUT, LOCK STEEL 1/2" NPT	152729	1
12	NUT, 3/8-16 HEX CENTERLOCK	153522	1
13	FITTING, 1/2 MNPT X 3/8 BARB	153653	1
14	ASSY, POINTER ARM	155568	1
15	LABEL, CAUTION, GUARDS IN PLACE	155587	1
16	KNOB, TRI PLASTIC MK-770 2 - 1/4	156770-04	2
17	CLIP, STOP	157837	1
18	BRACKET, WATER VALVE	158833	1
19	GUARD, SHAFT (COMP)	158843	1
20	HANDLEBAR	158849	1
21	ASSY, 14" BLADEGUARD	165976	1
22	GRIP, HANDLE	229413	2

FIGURE 7 - PARTS LIST: ASSY, FRONT AXLE - P/N 165975



ITEM NO.	DESCRIPTION	PART #	QTY.
1	WHEEL, FRONT, 04 X 1-1/2W	150830	2
2	COLLAR, SET, 3/4"	153814	4
3	AXLE, FRONT	158862	1

FIGURE 8 - PARTS LIST: ASSY, BLADE SHAFT - P/N 165977



ITEM NO.	DESCRIPTION	PART OR IDENTIFYING NO.	QTY. REQ.
1	KEY, SQUARE, 1/4 X 1-3/4	150796	1
2	WASHER, 1/2 SAE FLAT	150924	2
3	BEARING, PILLOW BLK 1"	155072	2
4	SCREW, 5/16-18 X 3/8 SOCKET HEAD SET	157084	2
5	SHAFT, BLADE	158879	1
6	FLANGE, INNER	158880	1
7	ASSY, FLANGE, OUTER	158881	1
8	SCREW, 1/2-13 X 1 HEX HEAD CAP, LH	159203	1
9	SCREW, 1/2-13 X 1 HEX HEAD CAP	159204	1
10	PULLEY, 16J25 X 1.0 BORE	158470	1