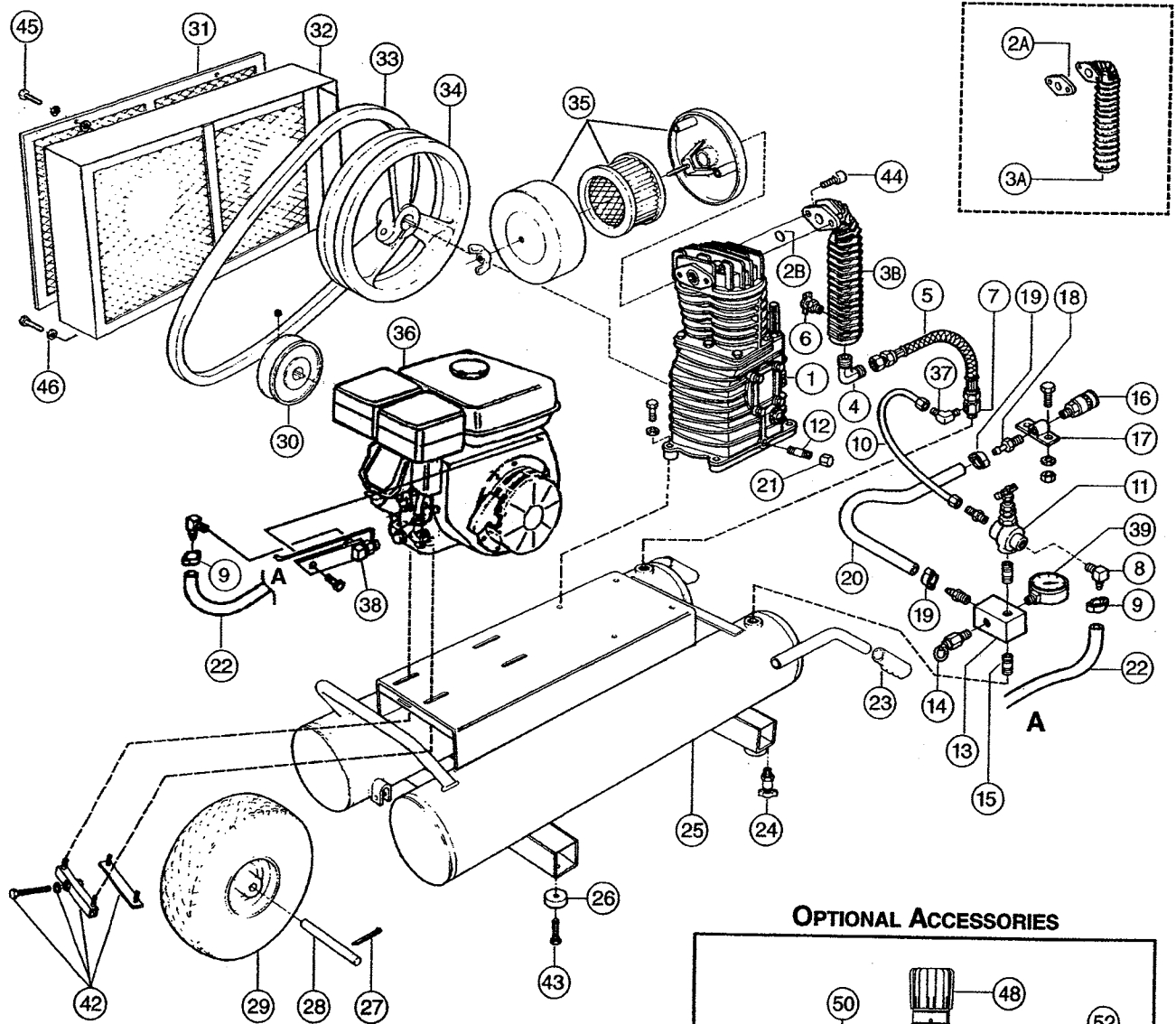
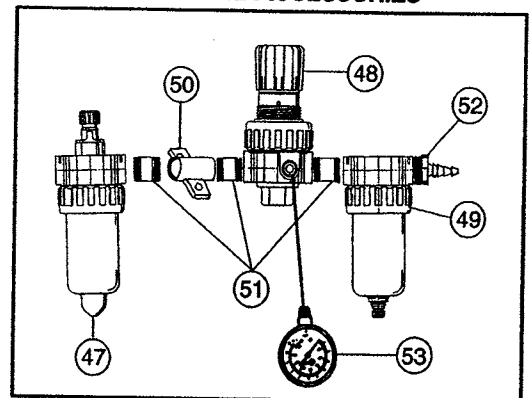


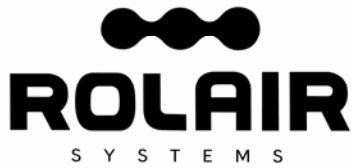
# ROLAIR

SCHMATIC FOR MODEL  
4090HK17



## OPTIONAL ACCESSORIES





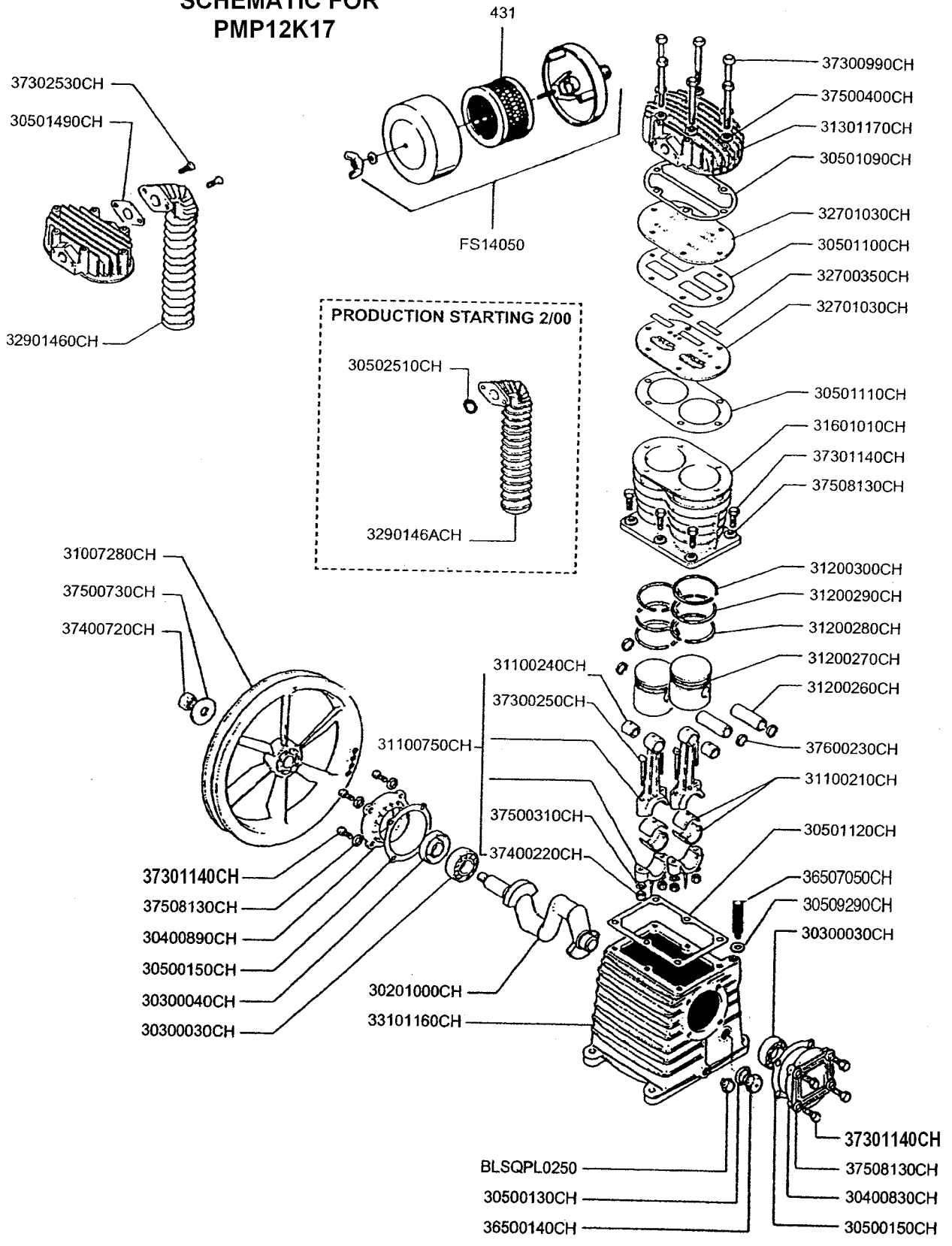
## PARTS LIST FOR MODEL 4090HK17

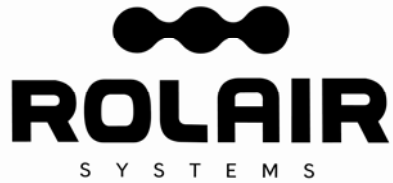
Schematic #	Description	Part #	Qty.
1	Twin Cylinder Pump w/Flywheel	PMP12K17CH	1
	Twin Cylinder Pump less Flywheel	PMP12K17CHLF	1
2A	Gasket	30501490CH	1
2B	O-Ring	30502510CH	1
3A	Aftercooler	32901460CH	1
3B	Aftercooler - O-Ring Style	Use 3290146ACH	1
4	Brass Elbow	145D	1
5	Braided Discharge Tube	145F	1
6	Drain Valve	132	1
7	Check Valve	CV4X4TA	1
8	Brass Elbow	BRELO250X0125H16	2
9	Hose Clamp	177	2
10	1/4" Nylon Tube – 14.4"	178D (Without Fittings)	1.2'
	Brass Nut	BRNT0250	2
	Brass Sleeve	BRSLO250	2
	Brass Ring	BRRG0250	2
11	Pilot Unloader Valve	131B	1
	Felt Muffler	131BM	1
	Retainer Ring	131BR	1
12	Nipple	BLNP0250X1500	1
13	Aluminum Block Manifold	154	1
14	Safety Relief Valve	SRV0250N165	1
15	Nipple	BLNP0500X1500	1
16	Quick Disconnect	309A	1
17	Accessory Bracket	210	1
18	Brass Coupler	BRCP0375X0375H12	2
19	Hose Clamp	177A	2
20	3/8" Rubber Hose – 16"	178A	1.34'
21	Cap	BLCA0250	1
22	1/4" Rubber Hose – 36"	178	3'
23	Handle Grip	328	2
24	Drain Valve	132BV	2
25	Twin Tank Assembly	TNKASY4090K17	1
26	Rubber Foot	219	4
27	Cotter Pin	181A	2
28	Axle	181	1
29	Fully-Pneumatic Tire w/Sealant	WLS30SEAL	1
30	Pulley	PUAK44X0750	1
31	Belt Guard Cover	BG8145	1
32	Belt Guard Base	BG8140B	1
33	Belt	BT4L510	1
34	Flywheel	31007280CH	1
35	Silencer/Filter Assembly	FS14050	1
	Filter Element – Replacement for Above	431	1
36	Honda Engine	ENG05HO1	1
37	Brass Elbow	BRELO250X012539	1
38	Throttle Control Kit	192EGX160K1QX	1
39	Gauge	GA0250200GC	1
42	Belt Tightener/Mounting Kit	SBT5HP-ANGLE*	1
43	Screw	MIS10008	4
44	Bolt	37302530CH	2
45	Bolt	MIS10094	5
46	Bolt	MIS10022	2
	Lock Washer	MIS10099	2
	Washer	MIS10108	2
	<b>(Accessories)</b>		
47	Lubricator	LUB0375	1
48	Regulator	REG0375	1
49	Filter (Water Trap)	FIL0375	1
50	Accessory Bracket	210	1
51	Nipple	BLNP0375X1500	3
52	Brass Coupler	BRCP0375X0375H12	1
53	Gauge	GA0250200GC	1

\*For units built prior to February 2005, order SBT5HP-SQUARE.

# ROLAIR

SCHMATIC FOR  
PMP12K17





## PARTS LIST FOR PMP12K17

Description	Part #	Qty.
Crankshaft	30201000CH	1
Bearing	30300030CH	2
Oil Seal	30300040CH	1
Bearing Carrier	30400830CH	1
Bearing Carrier	30400890CH	1
Gasket	30500130CH	1
Gasket	30500150CH	2
Gasket	30501090CH	1
Gasket	30501100CH	1
Gasket	30501110CH	1
Gasket	30501120CH	1
Gasket	30501490CH	1
O-Ring	30509290CH	1
Flywheel	31007280CH	1
Bearing Shell	31100210CH	2
Bushing*	31100240CH	2
Connecting Rod w/Upper Bushing	31100750CH	2
Connecting Rod Assembly	31100750CH1	2
Piston Pin	31200260CH	2
Piston	31200270CH	2
Ring	31200280CH	2
Ring	31200290CH	2
Ring	31200300CH	2
Head	31301170CH	1
Cylinder	31601010CH	1
Valve	32700350CH	4
Valve Plate	32701030CH	2
Aftercooler	32901460CH	1
Crankcase	33101160CH	1
Sight Gauge	36500140CH	1
3/8" Breather/Oil Fill Plug	36507050CH	1
Bolt	37300250CH	4
Bolt	37300990CH	6
Bolt	37301140CH	14
Bolt	37302530CH	2
Nut	37400220CH	4
Nut	37400720CH	1
Washer	37500310CH	4
Washer	37500400CH	6
Washer	37500730CH	1
Washer	37508130CH	14
Snap Ring	37600230CH	4
Filter Element	431	1
Plug	BLSQPL0250	1
Silencer/Filter Assembly	FS14050	1
Ring Set	K17RINGS	1
Gasket Set	K17GASKETS	1
Valve Plate Assembly (Valve plates, reeds & upper three gaskets)	1700VK17	1
Piston Assembly (Piston, rings, piston pin & snap rings)	1700PK17	2
<b>AFTERCOOLER PARTS STARTING 2/00</b>		
O-Ring – Aftercooler	30502510CH	1
Aftercooler	3290146ACH	1

\*BUSHING IS NOT MACHINED TO FIT PISTON PIN IF ORDERED SEPARATE FROM CONNECTING ROD.