



HEARTH PRODUCTS

P/N 506025-08 Rev. A 04/2013

This manual is one of a set of two supporting this product.

Refer to P/N 506023-16 for Installation Instructions.

Ce manuel est disponible en français, simplement

en faire la demande. Numéro de la pièce 506223-50.



Intertek

Intertek Report No.
100513650PRT-001

CARE AND OPERATION INSTRUCTIONS

Montebello® DLX Power Vent
Direct-Vent Gas Fireplaces

DAVE LENNOX
signature
COLLECTION

MODELS

ELECTRONIC:

MDLX40IN-PV

MDLX45IN-PV

WHAT'S INSIDE

Table of Contents	2
Safety and Your Fireplace	2
FREE Safety Guard Offer (Protects Against Burns)	2
Important Safety Information	4
Attaching the Safety-in-Operation Warnings	5
[EN FRANÇAIS] L'information de sûreté importante	3-4
Apposition des mises en garde relatives à la sécurité d'utilisation	5
[EN ESPAÑOL] Información importante de seguridad	3-4
Colocación de advertencias de seguridad en operación	5

Decorative Product: Not for use as a heating appliance.

NOTICE: Fireplace is not to be operated by a thermostat.



INSTALLER: Leave this manual with the appliance.

CONSUMER: Retain this manual for future reference.

INSTALLATEUR : Laissez cette notice avec l'appareil.

CONSOMMATEUR : Conservez cette notice pour consultation ultérieure.



! WARNING / AVERTISSEMENT / AVISO

**HOT GLASS WILL
CAUSE BURNS.**

**DO NOT TOUCH GLASS
UNTIL COOLED**

**NEVER ALLOW CHILDREN
TO TOUCH GLASS.**



**UNE SURFACE VITRÉE CHAUDE
PEUT CAUSER DES BRÛLURES.**

**LAISSER REFROIDIR LA SURFACE
VITRÉE AVANT D'Y TOUCHER.**

**NE PERMETTEZ JAMAIS À UN ENFANT
DE TOUCHER LA SURFACE VITRÉE.**

**EL VIDRIO CALIENTE
CAUSARÁ QUEMADURAS.**

**USTED DEBE NUNCA
TOCAR EL VIDRIO CALIENTE.**

**LOS NIÑOS DEBEN NUNCA
TOCAR EL VIDRIO.**

WARNING: If the information in these instructions is not followed exactly, a fire or explosion may result, causing property damage, personal injury, or death.

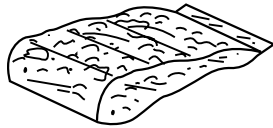
- Do not store or use gasoline or other flammable vapors and liquids in the vicinity of this or any other appliance.
- **WHAT TO DO IF YOU SMELL GAS:**
 - Do not try to light any appliance.
 - Do not touch any electrical switch; do not use any phone in your building.
 - Immediately call your gas supplier from a neighbor's phone. Follow the gas supplier's instructions.
 - If you cannot reach your gas supplier, call the fire department.
- Installation and service must be performed by a qualified installer, service agency or the gas supplier.

AVERTISSEMENT : Assurez-vous de bien suivre les instructions données dans cette notice pour réduire au minimum le risque d'incendie ou d'explosion ou pour éviter tout dommage matériel, toute blessure ou la mort.

- Ne pas entreposer ni utiliser d'essence ni d'autres vapeurs ou liquides inflammables dans le voisinage de cet appareil ou de tout autre appareil.
- **QUE FAIRE SI VOUS SENTEZ UNE ODEUR DE GAZ :**
 - Ne pas tenter d'allumer d'appareil.
 - Ne touchez à aucun interrupteur. Ne pas vous servir des téléphones se trouvant dans le bâtiment où vous trouvez.
 - Appelez immédiatement votre fournisseur de gaz depuis un voisin. Suivez les instructions du fournisseur.
 - Si vous ne pouvez rejoindre le fournisseur de gaz, appelez le service des incendies.
- L'installation et l'entretien doivent être assurés par un installateur ou un service d'entretien qualifié ou par le fournisseur de gaz.

ACCESSORY COMPONENTS

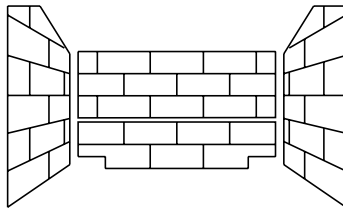
Product Reference Information			
Cat. No.	Model	Ship. Wt.	Ship. Volume
H8577	MDLX40IN-PV	307 lb.	57.1 cu. ft.
H8580	MDLX45IN-PV	300 lb.	58.0 cu. ft.



- Bag of Glowing Embers**
- Bag of Volcanic Stone**
- Bag of Platinum Embers**

Replacement ember material and volcanic stone are available for use with these appliances. Order them to replace materials as part of the periodic maintenance of the appliance.

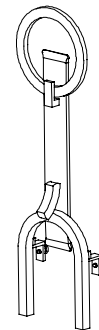
Firebox Accessories		
Cat. No.	Model	Description
88L53	FGE	Bag of Glowing Embers
80L42	FDVS	Bag of Volcanic Stone
H8312	PGE	Bag of Platinum Embers



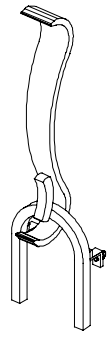
Ceramic and Porcelain Firebox Liners

The firebox liner kits include ceramic and porcelain panels of the side and rear walls. The ceramic panels have brick-like features in relief.

Ceramic and Porcelain Firebox Liner Kits		
Model	Cat. No. Model	Description
MDLX40IN-PV	H8697 LKC-BFRS-MDLX40	Ceramic, Buff Rustic
	H8698 LKC-RDRS-MDLX40	Ceramic, Red Rustic
	H2220 BLKH-LSM40	Ceramic, Buff Herringbone
	H4803 BLK-REDH-LSM40	Ceramic, Red Herringbone
	H8581 LKP-BK-MDLX40	Porcelain, Black
MDLX45IN-PV	H8699 LKC-BFRS-MDLX45	Ceramic, Buff Rustic
	H8700 LKC-RDRS-MDLX45	Ceramic, Red Rustic
	H2224 BLKH-LSM45	Ceramic, Buff Herringbone
	H4804 BLK-REDH-LSM45	Ceramic, Red Herringbone
	H8696 LKP-BK-MDLX45	Porcelain, Black



MISSION



CLASSIC

Andiron Door Kits

The andiron kits attach to the grate assembly without the use of hardware.

Andiron Door Kits		
Fits Fireplace Models	Catalog No. (Model)	
	Mission	Classic
MDLX40IN-PV MDLX45IN-PV	H2227 (AKM-LSM)	H2228 (AKC-LSM)



Touch-Up Paint Kit

Repair of minor scratches and discoloration of the appliances black painted surfaces may be accomplished with the touch-up paint kit.

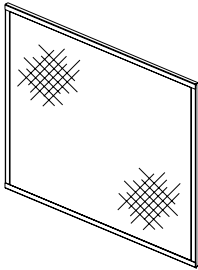
Touch-Up Paint (Black) Kit		
Cat. No.	Model	Description
90L73	FTP-K-B	Black Paint Kit



Log Sets

This finely crafted log set has detailing that replicates the natural look of real wood.

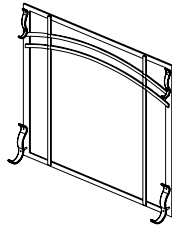
Oak Log Set	
Cat. No.	Model
H8676	LOG-OAK-MDLX4045



Barrier Screen Kits

These barrier screen kits create a barrier to prevent direct contact with the hot glass. The screen panel affixes directly to the front glass enclosure panel.

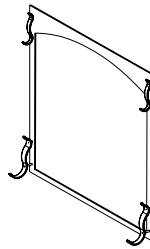
Barrier Screen Kits		
Cat. No.	Model	Description
H4805	BSK40	40" Barrier Screen
H4806	BSK45	45" Barrier Screen



Dual Arch Screen Kits

These Dual Arch screen kits can be installed on the glass enclosure panel to help prevent direct human contact with the hot glass surface.

Dual Arch Screen Kits		
Cat. No.	Model	Description
H5051	DASK-LSM40IN-2	40" Screen
H5054	DASK-LSM45IN-2	45" Screen



Arch Screen Kits

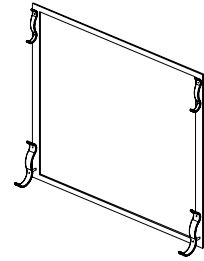
These arch screen kits can be installed on the glass enclosure panel to help prevent direct human contact with the hot glass surface.

Arch Screen Kits		
Cat. No.	Model	Description
H5053	ASK-LSM40-2	40" Screen
H5056	ASK-LSM45-2	45" Screen

Glass Media Kits

Select from five glass media options to suit your taste, or to complement home decor.

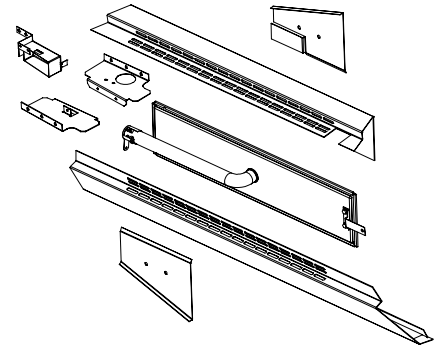
Glass Media Kits		
Cat. No.	Model	Description
H8412	CRSHGL-RBLK	Reflective Black
H8424	CRSHGL-RBLU	Reflective Blue
H8413	CRSHGL-P	Platinum
H8538	CRSHGL-GF	Goldfinger
H8539	CRSHGL-C	Copper



Classic Screen Kits

These Screen kits can be installed on the glass enclosure panel to help prevent direct human contact with the hot glass surface.

Classic Screen Kits		
Cat. No.	Model	Description
H5052	SK-LSM40-2	40" Screen
H5055	SK-LSM45-2	45" Screen



Floor Options

Optional contemporary burner/floor kits include the burner and porcelain floors and requires purchase of a porcelain panel kit and one glass media kit.

Contemporary Burner/Floor Kits		
Kit Cat. No.	Kit Model Number	Description
H8694	CBFK-MDLX40	Contemporary Burner/Floor Kit, MDLX40
H8695	CBFK-MDLX45	Contemporary Burner/Floor Kit, MDLX45

REPLACEMENT PARTS LIST

Item No.	Description	MDLX40		MDLX45	
		Catalog No.	Qty.	Catalog No.	Qty.
1	Door Modesty Shield	H4808	1	H4809	1
2	Log Set (Oak)	H1490	1	H1490	1
3	Enclosure, Glass Door	H2281	1	H2282	1
4	Spring Latch Assembly	H2274	2	H2274	2
5	Burner Assembly	H4817	1	H4817	1
6	Venturi	H1428	1	H1428	1
7	Gasket - Venturi	43K85	1	43K85	1
8	Access Plate	H2277	1	H2277	1
9	Screen Rod	H2278	1	H2279	1
10	Screen	H1427	2	H1169	2
11	Gasket, Access Plate	H1452	1	H1452	1
12	Gas Line Tubing	H2283	1	H2284	1
13	Connector, Male	H2285	1	H2285	1
14	Orifice, Natural Gas	H7924	1	H8141	1
15	Bag of Glowing Embers	88L53	1	88L53	1
16	Grate Assembly	H4907	1	H4907	1
17	Gas Line, Flexible Connection	93L32	1	93L32	1
18	Modesty Panel, Right Side	H3371	1	H3372	1
19	Modesty Panel, Left Side	H3373	1	H3374	1
20	Floor Panel	H3369	1	H3370	1
21	Bag of Volcanic Stone	80L42	1	80L42	2
22	Bag of Platinum Embers	H8312	1	H8312	1

Gas Controls - SIT Electronic

Item No.	Description	Natural Gas	
		Part No.	Qty.
23	Gas Valve, SIT	H7270	1
24	Pilot Assembly	H7268	1
25	Control Module	H8842	1
26	Wiring Harness, Power	H8811	1
27	Wiring Harness, Control	H8814	1
28	Wiring Harness, Wall ON/REMOTE/OFF Switch	H8813	1
29	Wiring Harness, Jumper	H8809	1

Contact a Lennox Hearth Products dealer to obtain any of these parts. Never use substitute materials. Use of non-approved parts can result in poor performance and safety hazards.

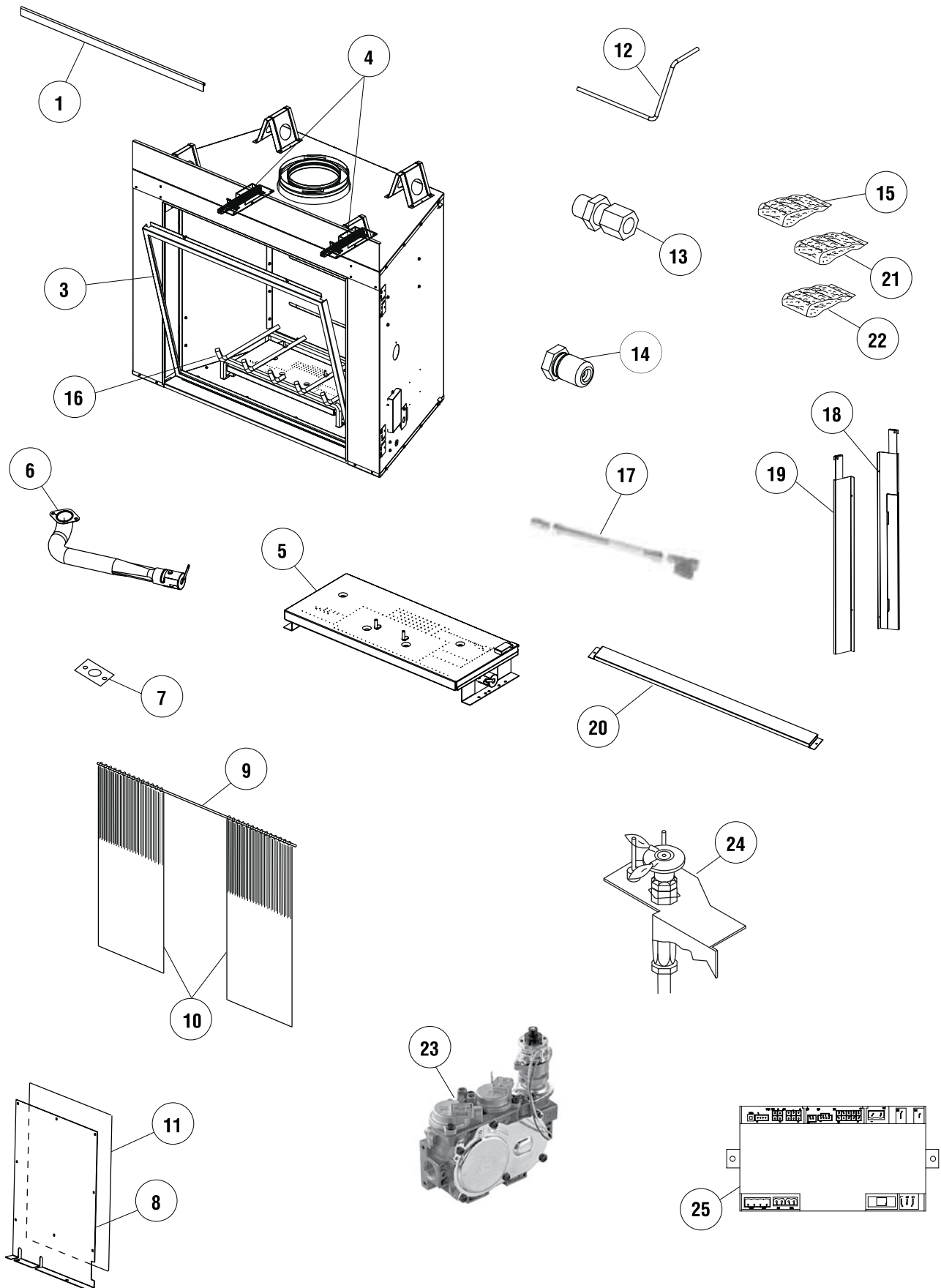
 **WARNING**

Failure to position the parts in accordance with these diagrams or failure to use only parts specifically approved with this appliance may result in property damage or personal injury.

 **AVERTISSEMENT**

Risque de dommages ou de blessures si les pièces ne sont pas installées conformément à ces schémas et ou si des pièces autres que celles spécifiquement approuvées avec cet appareil sont utilisées.

REPLACEMENT PARTS

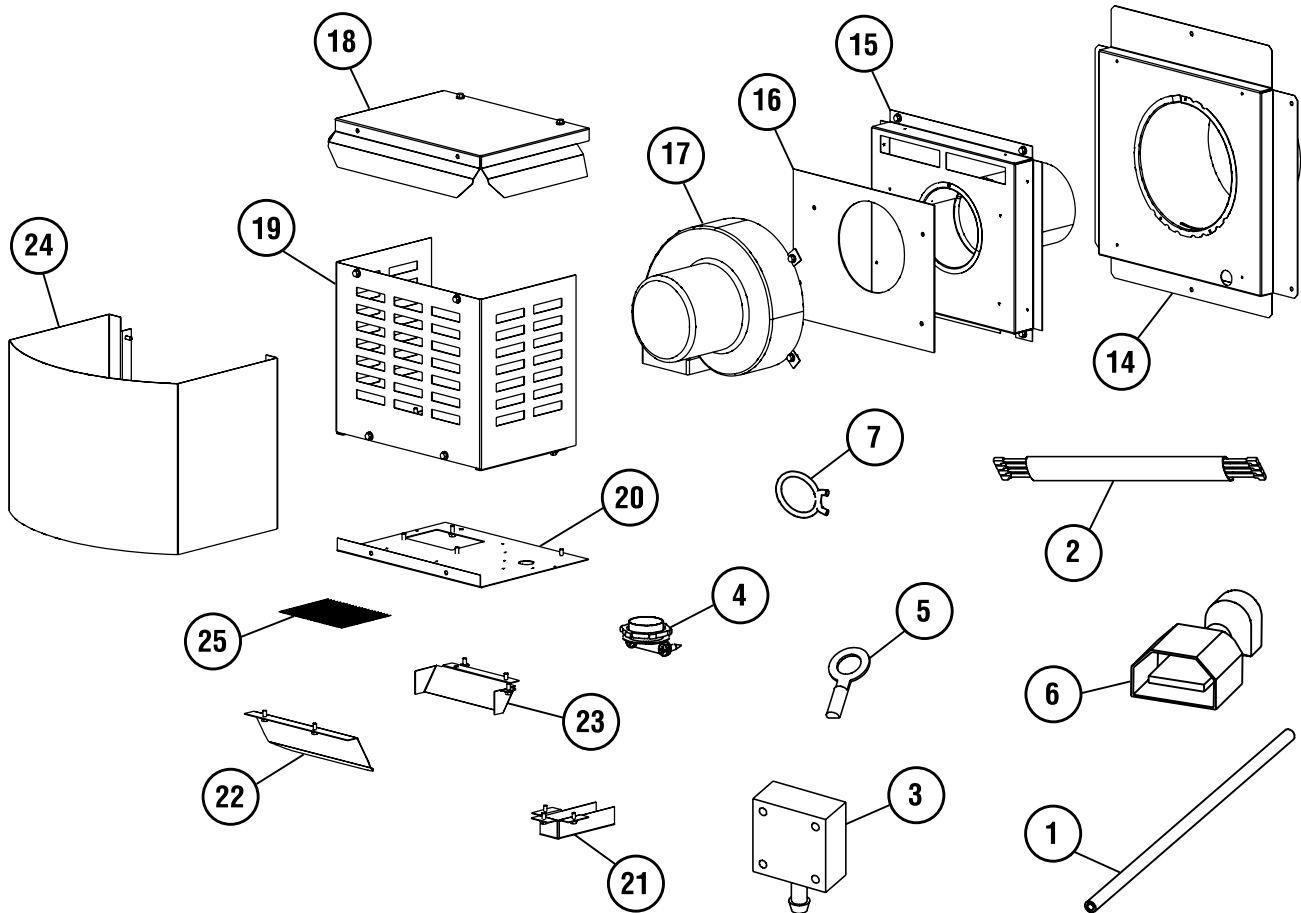


NOTE: DIAGRAMS & ILLUSTRATIONS ARE NOT TO SCALE.

POWER VENT REPLACEMENT PARTS

Item	Part Number	Description	Qty.
1	H7383	Vacuum Hose	1
2	H7369	Wire Harness	1
3	H8843	Pressure Switch	1
4	H7368	Strain Relief - 3/8"	2
5	H7370	Ring Terminal - #10	2
6	H7384	Insulated 1/4" Male Terminal	4
7	H7371	Hose Clamp - 11/32"	2
14	H7372	Base Assembly (Power Vent)	1
15	H7378	Kicker Assembly	1

Item	Part Number	Description	Qty.
16	H7382	Blower Gasket	1
17	H7365	Blower Assembly	1
18	H7375	Wrapper - Top	1
19	H7373	Wrapper	1
20	H7374	Wrapper - Bottom	1
21	H7377	Junction Box	1
22	H7379	Diverter - Front	1
23	H7380	Diverter - Back	1
24	H7376	Wrapper Cover	1
25	H7381	Wire Mesh	1



NOTE: DIAGRAMS & ILLUSTRATIONS ARE NOT TO SCALE.

Lennox Hearth Products reserves the right to make changes at any time, without notice, in design, materials, specifications, prices and also to discontinue colors, styles and products. Consult your local distributor for fireplace code information.

LENNOX®, the LENNOX design, DAVE LENNOX, the image of DAVE LENNOX and other related LENNOX marks are registered or common law trademarks of Lennox Industries Inc. and are used with permission.

