

# OPERATION AND PARTS MANUAL

# STOW

A DIVISION OF MULTIQUIP INC.

## PLASTER/MORTAR MIXER

**MS15H5.5 (Steel-Gasoline)**

**MS15E (Steel-Electric)**

**Effective S/N SED53**

**FINAL REVISION**

Revision #2 (08/10/06)

**THIS MANUAL MUST ACCOMPANY  
THE EQUIPMENT AT ALL TIMES.**

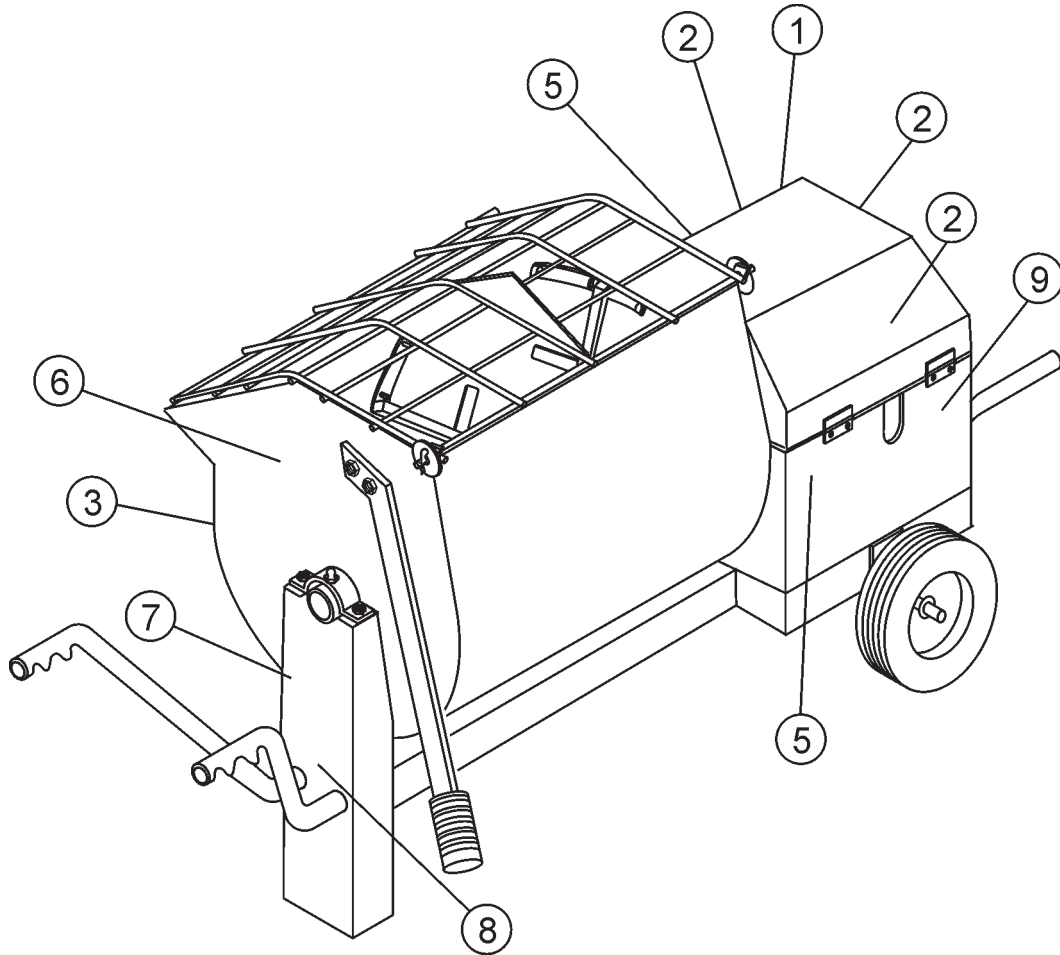
## MS15H/MS15E MIXER — SUGGESTED SPARE PARTS

### **MS15H/MS15E MIXER 1 TO 3 UNITS WITH HONDA GX160K1HX2 ENGINE**

Qty.	P/N	Description
2	491010	RUBBER LATCH ASSY.
1	508473	V-BELT, ELECTRIC MOTOR A37
1	80000-008	WIPER KIT
3	9807956846	SPARK PLUG HONDA 5.5HP
3	17210ZE1505	ELEMENT, AIR HONDA 5.5 HP
1	28462ZH8003	ROPE, RECOIL STARTER, HONDA 5.5 HP

# MS15H/MS15E MIXER — NAMEPLATE AND DECALS

NAMEPLATE AND DECALS.



# MS15H/MS15E MIXER — NAMEPLATE AND DECALS

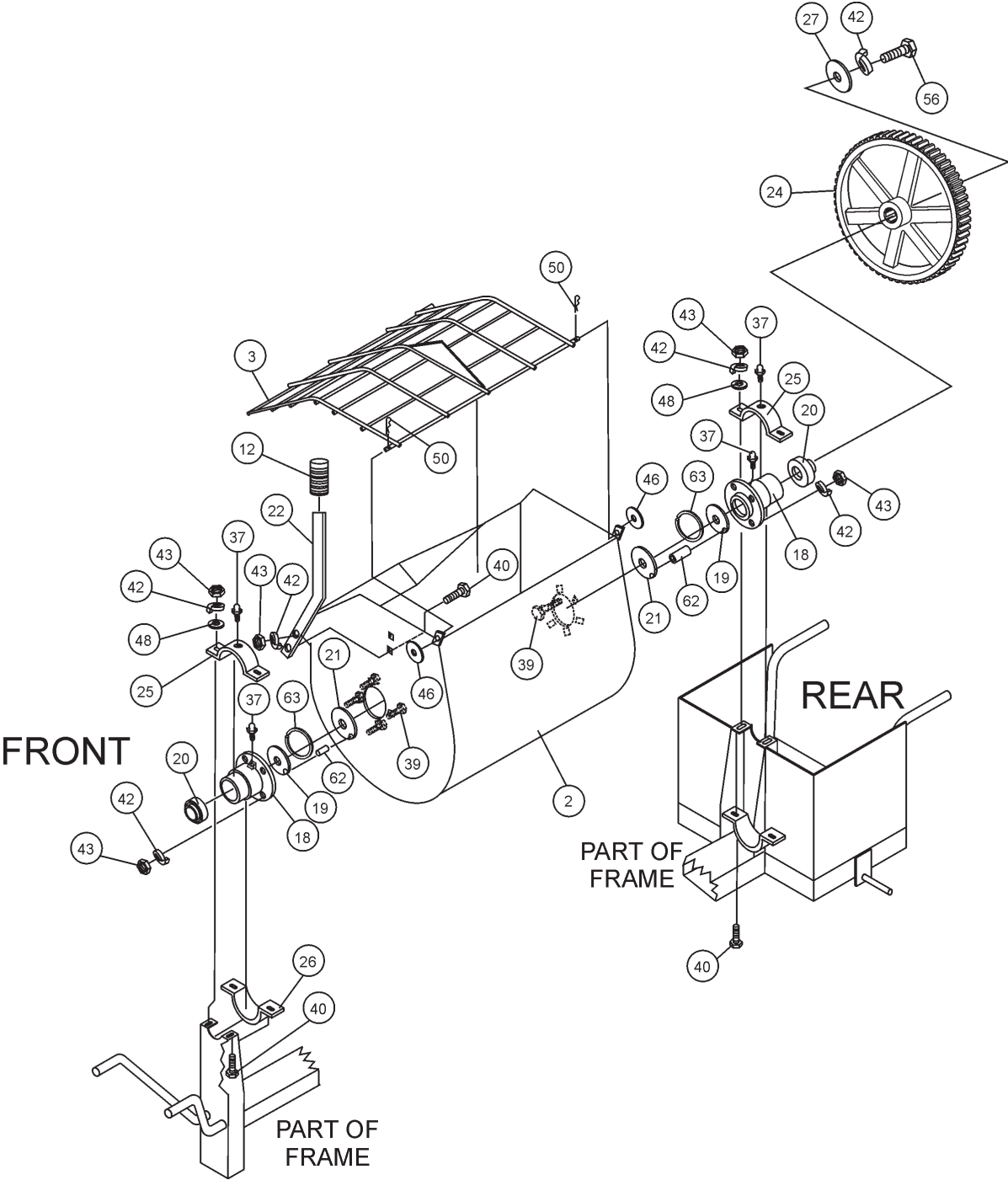
## NAMEPLATE AND DECALS.

<u>NO</u>	<u>PART NO</u>	<u>PART NAME</u>	<u>QTY.</u>	<u>REMARKS</u>
1*	504713	DECAL: WARNING READ	1	
2*	510165	DECAL: STOW (MULTIQUIP) SMALL	3	
3*	512527	DECAL: STOW (MULTIQUIP) BIG	1	
5*	DCL160A	DECAL: WARNING ENGINE SHUTOFF	2	
6*	25259-001	DECAL: WARNING GRATE	1	
7		DECAL: NAMEPLATE .....	1	..... CONTACT MQ PARTS DEPT.
8*	13118	DECAL: POWDER COATED	1	
9*	DCL160	DECAL: PROP. 65 WARNING	1	

SEE DECAL ILLUSTRATIONS ON PAGE 13.

# MS15H/MS15E MIXER — STEEL TUB ASSY.

STEEL TUB ASSY.



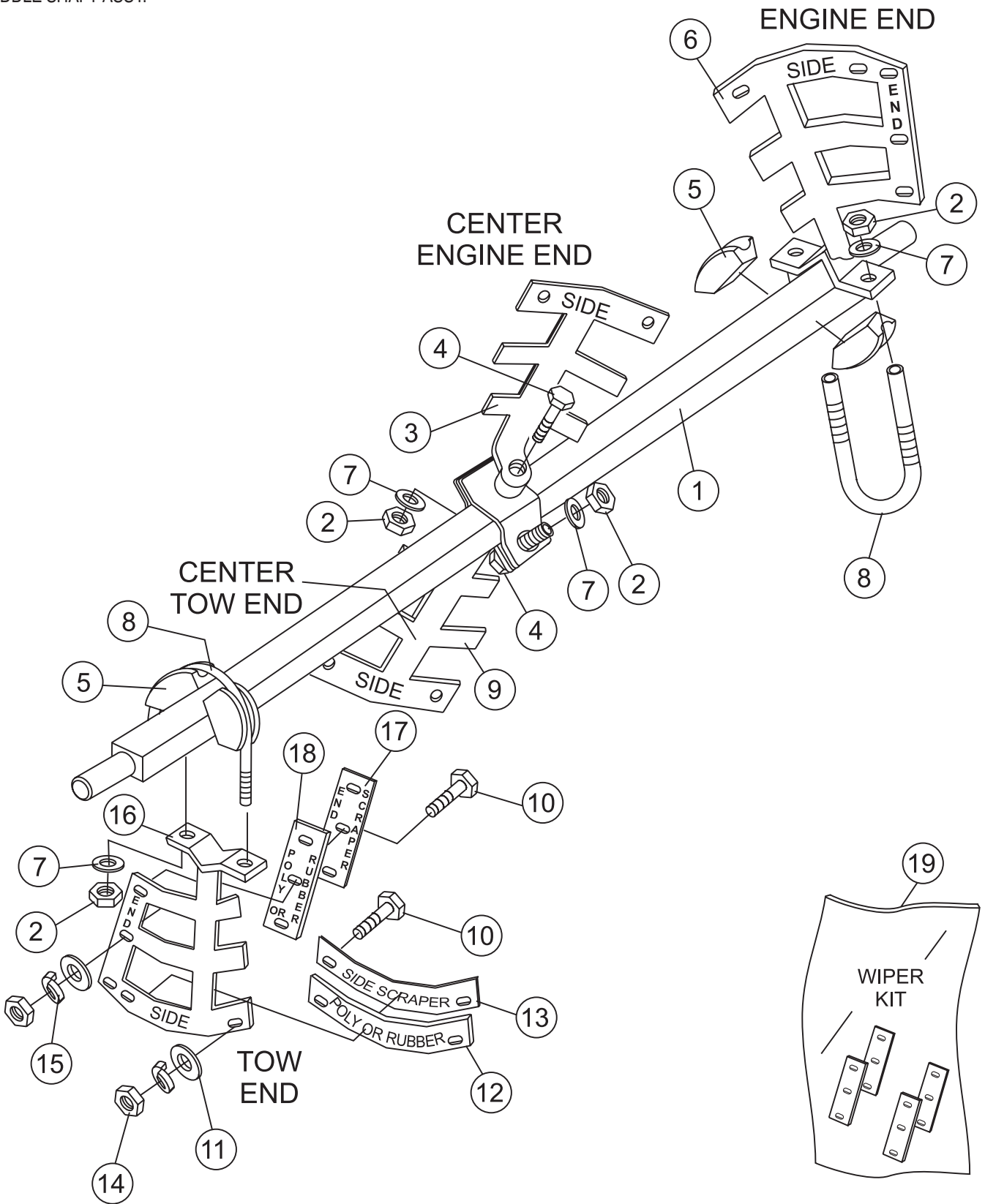
# MS15H/MS15E MIXER — STEEL TUB ASSY

## STEEL TUB ASSY.

<u>NO</u>	<u>PART NO</u>	<u>PART NAME</u>	<u>QTY.</u>	<u>REMARKS</u>
2*	26084-352	DRUM	1	
3	26085-351	GRATE	1	
12	23180-001	HAND GRIP	1	
18*	19728-001	TRUNNION	2	
19+*	19722-001	SHAFT SEAL	2	
20*	33177-001	SEALED BEARING	2	
21+*	33044-001	SHAFT SEAL	2	
22	25492-001	DUMP LEVER	1	
24*	33048-001	MAIN GEAR	1	
25	33084-001	BEARING HALF - UPPER	2	
26	33084-002	BEARING HALF - LOWER	2	
27*	18937-001	LARGE WASHER	1	
37*	07745-001	GREASE FITTING	4	
39*	17985-008	CARRIAGE BOLT 3/8 - 16 X 1	8	
40	17985-010	CARRIAGE BOLT 3/8 - 16 X 1-1/4	6	
42*	07029-006	LOCKWASHER 3/8	15	
43*	07033-006	HEX NUT 3/8 - 16	14	
46	07030-008	FLATWASHER 1/2	2	
48	07030-006	FLATWASHER 3/8	4	
50	07028-055	COTTER PIN 5/32 X 1	2	
56*	06501-008	HEX HEAD CAP SCREW 3/8 - 16 X 1	1	
62*	07594-012	ROLL PIN 3/16 X 3/4	2	
63*	19721-001	RETAINING RING	2	
	25648-501	SHAFT SEAL KIT .....	1	INCLUDES ITEMS W/+
	26083-502	DRUM ASSY. W/SHAFT MAIN GEAR .....	1	INCLUDES ITEM W/*, ALSO INCLUDES PADDLE SHAFT P/N 29062-351

# MS15H/MS15E MIXER — PADDLE SHAFT ASSY.

PADDLE SHAFT ASSY.



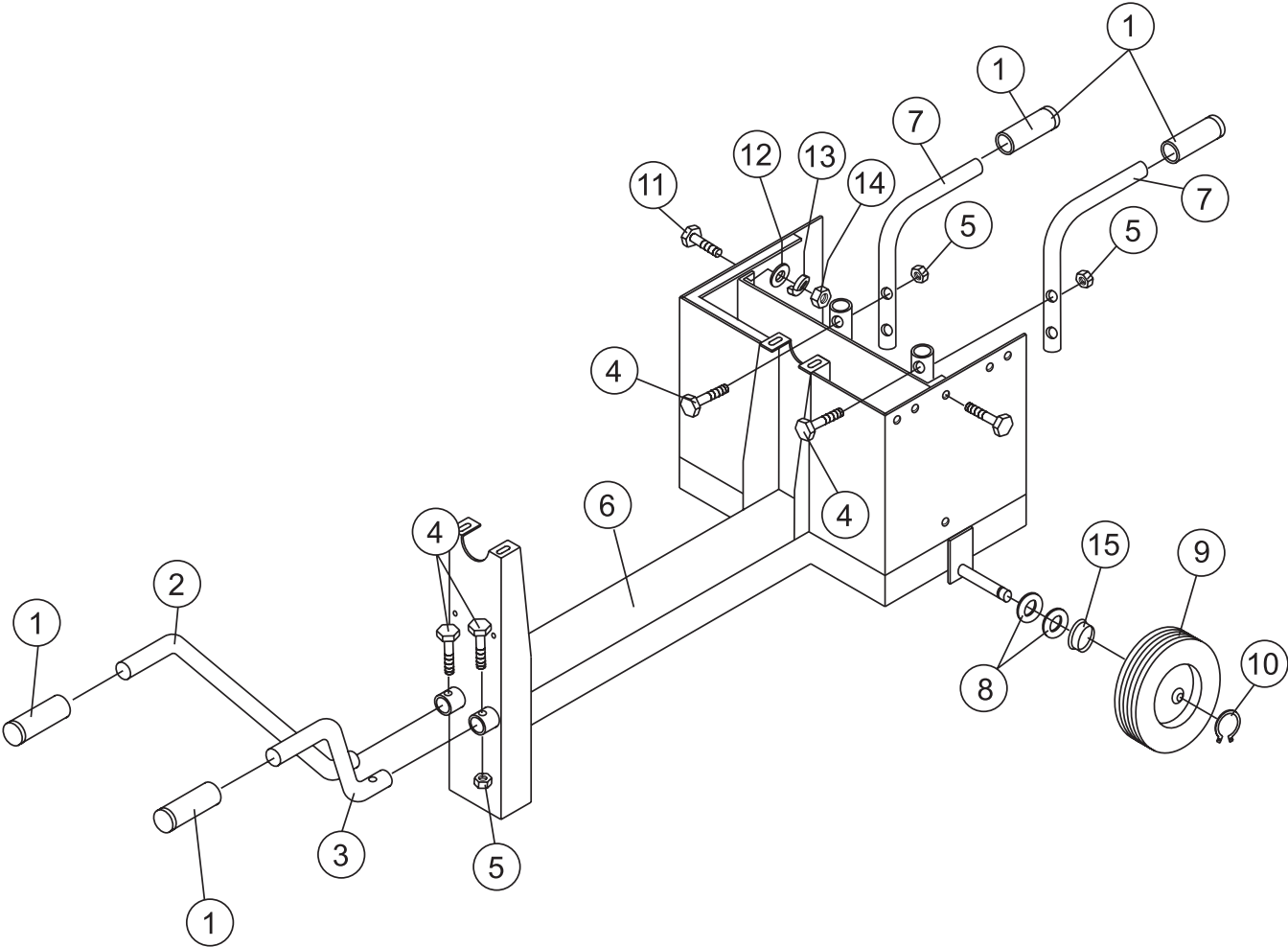
# MS15H/MS15E MIXER — PADDLE SHAFT ASSY.

## PADDLE SHAFT ASSY.

<u>NO.</u>	<u>PART NO.</u>	<u>PART NAME</u>	<u>QTY.</u>	<u>REMARKS</u>
1	29062-351	PADDLE SHAFT	1	
2	492584	NUT, LOCK 1/2"	6	
3	530181C	PADDLE ARM, CENTER ENGINE END	1	
4	492400	SCREW, HHC 1/2"-13 X 3-1/2	2	
5	EM200292	INSERT, PADDLE ARM	4	
6	530180C	PADDLE ARM, ENGINE END	1	
7	504322	WASHER, FLAT 1/2"	6	
8	EM200297	U-BOLT, END PADDLES	2	
9	530179C	PADDLE ARM, CENTER TOW END	1	
10	505196	SCREW, HHC 5/16-18 X 1-3/4 G5	12	
11	3019092	WASHER, FLAT 3/8"	12	
12*	514725	BLADE, SIDE, RUBBER	4	
13	514726	BLADE, SIDE, SCRAPPER	4	
14	1456	NUT, HEX FINISH 3/8-16" NC G5	12	
15	0166A	WASHER, LOCK 3.8"	12	
16	530182C	PADDLE ARM, TOW END	1	
17	530201	BLADE ,SCRAPPER END	2	
18*	33017-001	BLADE, RUBBER END	2	
19	80000-008	KIT, WIPERS .....	1	INCLUDES ITEMS W/*

# MS15H/MS15E MIXER — FRAME ASSY.

FRAME ASSY.



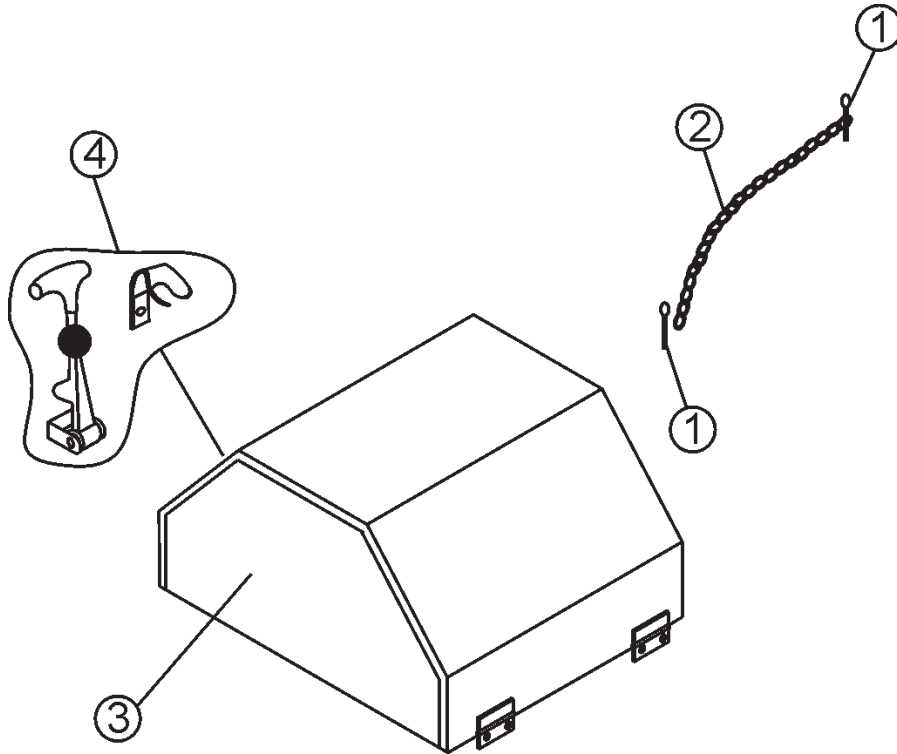
## MS15H/MS15E MIXER — FRAME ASSY.

### FRAME ASSY.

<u>NO</u>	<u>PART NO</u>	<u>PART NAME</u>	<u>QTY.</u>	<u>REMARKS</u>
1	EM98195	GRIP, RUBBER BLACK	4	
2	530467	HANDLE, FRONT-LEFT	1	
3	530226	HANDLE, FRONT-RIGHT	1	
4	492381	SCREW, 3/8 NC 2-1/2 G5	6	
5	EM969013	NUT, NYLOCK	6	
6	530168	FRAME	1	
7	530166	HANDLE BACK	2	
8	501299	WASHER, FLAT	4	
9	491002	WHEEL , TIRE ASSY.	2	
10	490957	SNAP RING 5100-100	2	
11	492356	BOLT, 1/4" X 3/4"	4	
12	504451	WASHER, FLAT 1/4"	4	
13	2101402	WASHER, LOCK 1/4"	4	
14	492561	NUT, HEX HEAD 1/4"-20	4	
15	513699	BUSHING	2	

# MS15H/MS15E MIXER — ENGINE COVER ASSY.

ENGINE COVER ASSY.



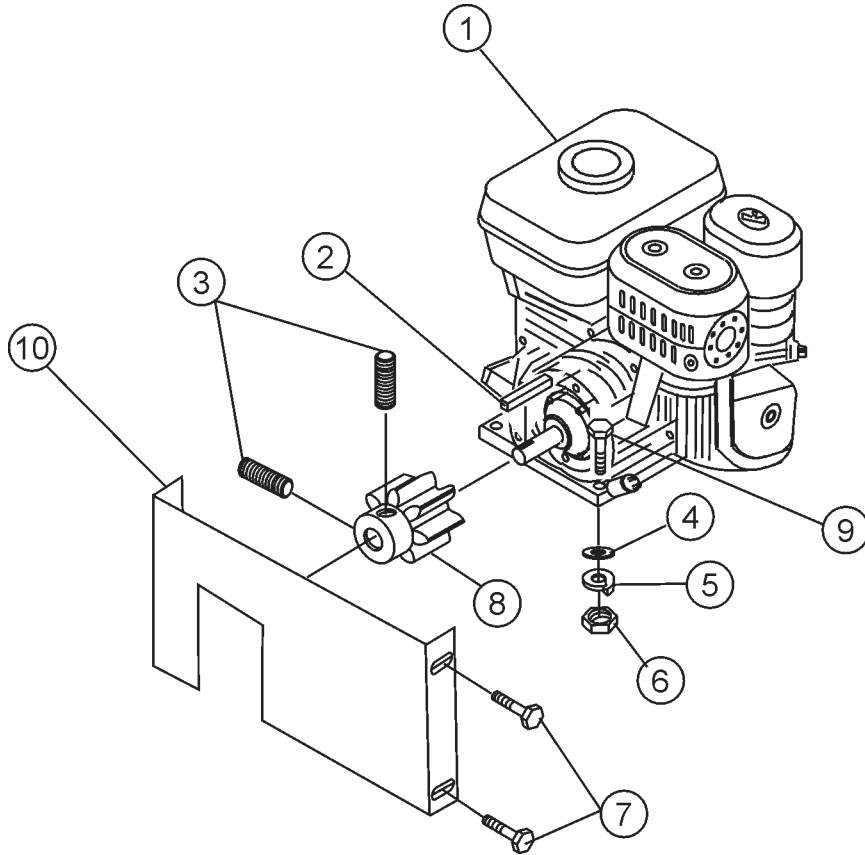
## MS15H/MS15E MIXER — ENGINE COVER ASSY.

### ENGINE COVER ASSY.

<u>NO</u>	<u>PART NO</u>	<u>PART NAME</u>	<u>QTY.</u>	<u>REMARKS</u>
1	07028-057	COTTER PIN 5/32 x 1/2	2	
2	18604-005	RETAINER CHAIN	1	
3	26922-351	ENGINE HOUSE ASSY.	1	
4	491010	LATCH ASSY.	1	

# MS15H/MS15E MIXER — HONDA ENGINE ASSY.

HONDA ENGINE ASSY.



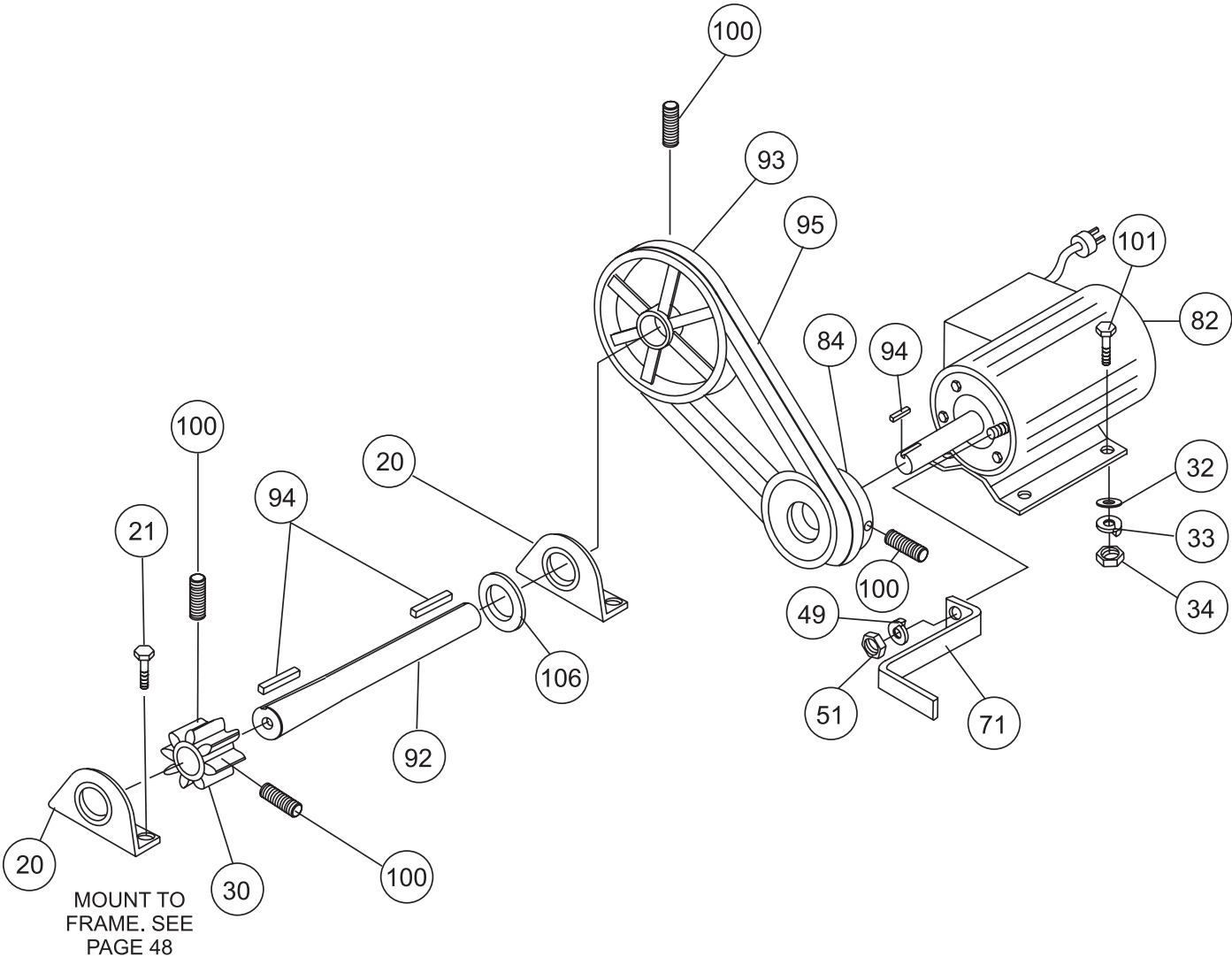
# MS15H/MS15E MIXER — HONDA ENGINE ASSY.

## HONDA ENGINE ASSY.

<u>NO</u>	<u>PART NO</u>	<u>PART NAME</u>	<u>QTY.</u>	<u>REMARKS</u>
1	GX160K1HX2	ENGINE-5.5 H.P.HONDA .....	1 .....	REPLACES 22052-501
2	10057-016	SQUARE KEY 3/16 x 1-1/2	1	
3	18941-004	SOCKET SET SCREW 1/4-20 x1/4	2	
4	07030-005	FLATWASHER 5/16	4	
5	07029-005	LOCKWASHER 5/16	4	
6	07033-005	HEX NUT 5/16 -18	4	
7	06499-006	CAP SCREW 1/4-20 x 3/4	4	
8	33054-001	PINION GEAR	1	
9	06500-012	CAP SCREW 5/16 - 18 x 1-1/2	4	
10	26921-001	GEAR GUARD	1	

# MS15H/MS15E MIXER — ELECTRIC MOTOR ASSY.

ELECTRIC MOTOR ASSY.



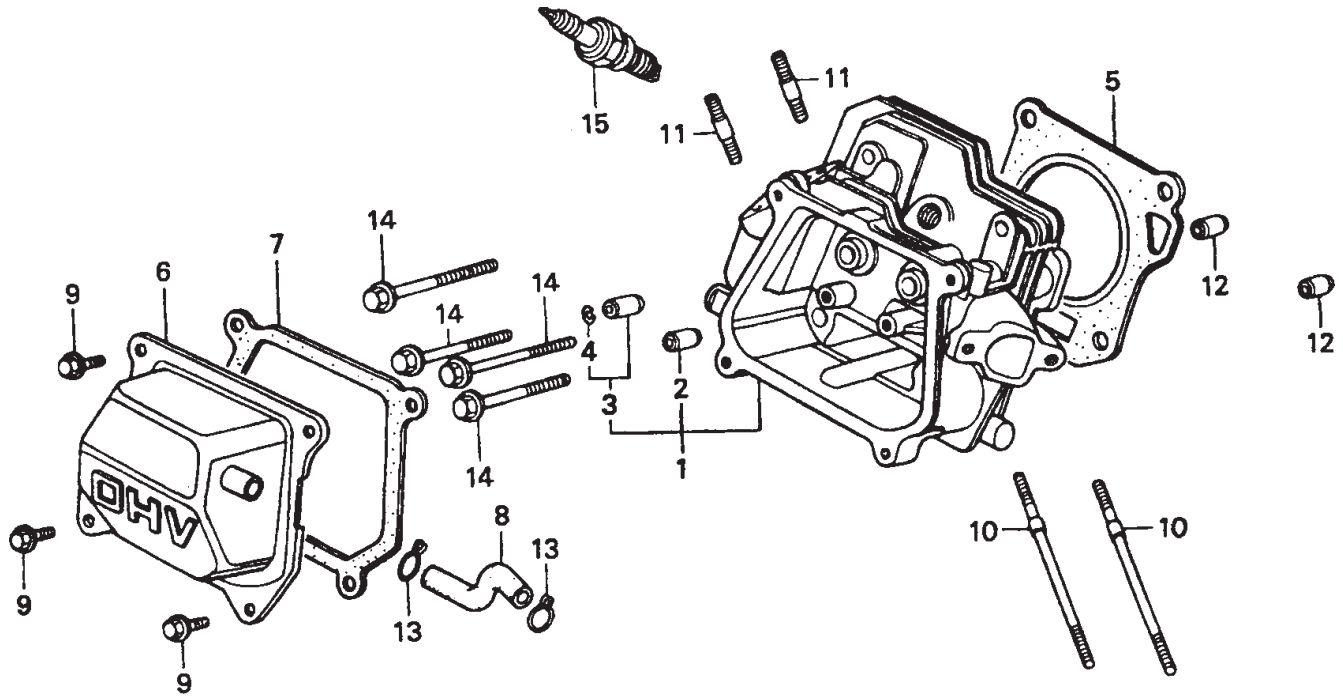
# MS15H/MS15E MIXER — ELECTRIC MOTOR ASSY.

## ELECTRIC MOTOR ASSY.

<u>NO</u>	<u>PART NO</u>	<u>PART NAME</u>	<u>QTY.</u>	<u>REMARKS</u>
20	33060-001	PILLOW BLOCK	2	
21	17985-010	CARRIAGE BOLT 3/8-16 x 1-1/4	4	
30	33054-001	DRIVE PINION GEAR	1	
32	07030-005	FLAT WASHER 5/16	4	
33	07029-005	LOCK WASHER 5/16	4	
34	07033-005	HEX NUT 5/16-18	4	
49	07029-004	LOCKWASHER 1/4	6	
51	07033-004	NUT, HEX 1/4-20	6	
71	26044-001	BRACKET	1	
82	22743-002	MOTOR & CONTROL ASSY. 1.0 HP	1	
84	512518	DRIVE PULLEY	1	
92	19867-001	SHAFT	1	
93	512466	DRIVEN PULLEY	1	
94	10057-016	SQUARE KEY 3/16 x 1-1/2	3	
95	508473	V-BELT, A-37	1	
100	18941-004	SOCKET SET SCREW 1/4-20 x1/4	4	
101	06500-008	CAP SCREW 5/16-18 x 1	4	
106	07030-012	FLATWASHER 3/4	1	

# HONDA GX160K1HX2 ENGINE — CYLINDER HEAD ASSY.

CYLINDER HEAD ASSY.



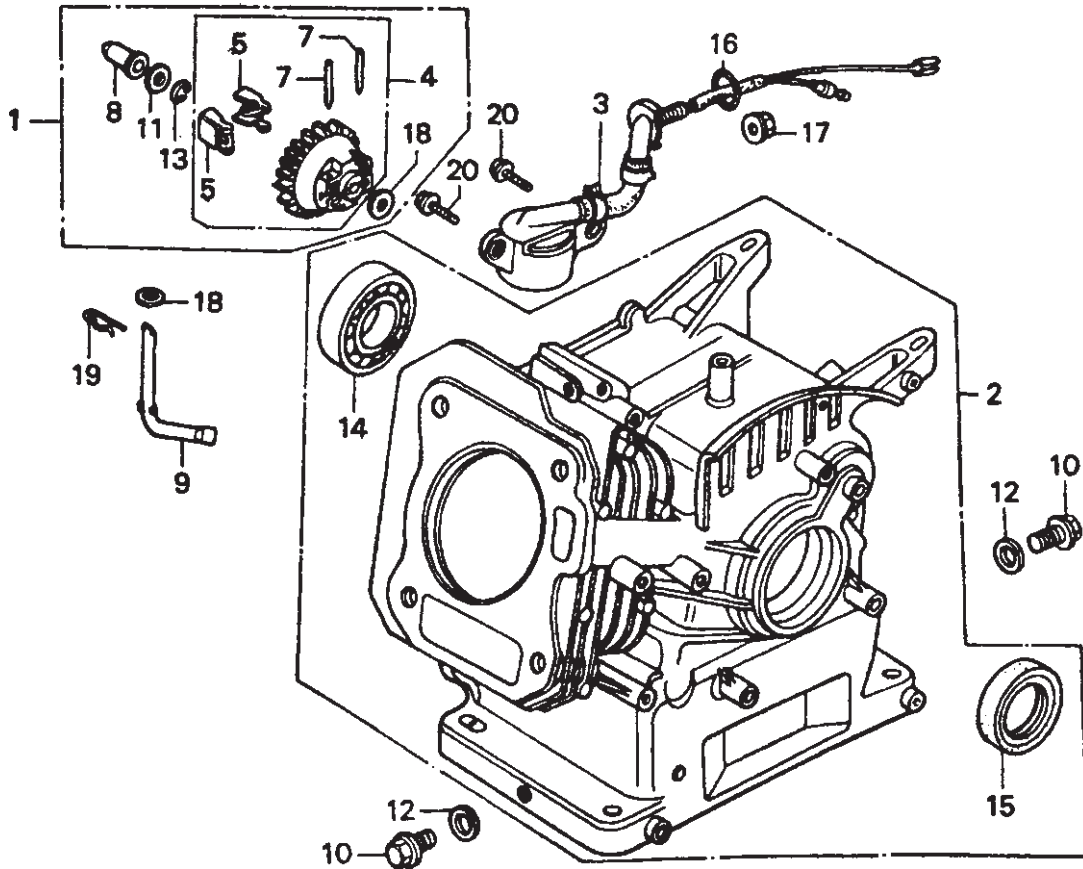
# HONDA GX160K1HX2 ENGINE — CYLINDER HEAD ASSY.

## CYLINDER HEAD ASSY.

<u>NO</u>	<u>PART NO</u>	<u>PART NAME</u>	<u>QTY.</u>	<u>REMARKS</u>
1	12210ZH8000	CYLINDER HEAD, COMP .....	1 .....	INCLUDES ITEMS W/*
2*	12204ZE1306	GUIDE, IN. VALVE (OVER SIZE)	1	
3*	12205ZE1315	GUIDE, EX. VALVE (OS)	1	
4	12216ZE5300	CLIP, VALVE GUIDE	1	
5	12251ZF1800	GASKET, CYLINDER HEAD	1	
6	12310ZE1010	COVER COMP, HEAD	1	
7	12391ZE1000	GASKET, CYLINDER HEAD COVER	1	
8	15721ZH8000	TUBE, BREATHER	1	
9	90016ZE1000	BOLT, FLANGE 6X13	4	
10	90043ZE1020	BOLT, STUD 6X109	2	
11	90047ZE1000	BOLT, STUD 8X32	2	
12	9430110160	PIN A, DOWEL 10X16	2	
14	957230806000	BOLT, FLANGE 8X60	4	
15	9807956846	PLUG, SPARK (BPR6ES NGK)	1	
	9807956855	PLUG, SPARK (W20EPR-U ND)	1	

# HONDA GX160K1HX2 ENGINE — CYLINDER BARREL ASSY.

CYLINDER BARREL ASSY.



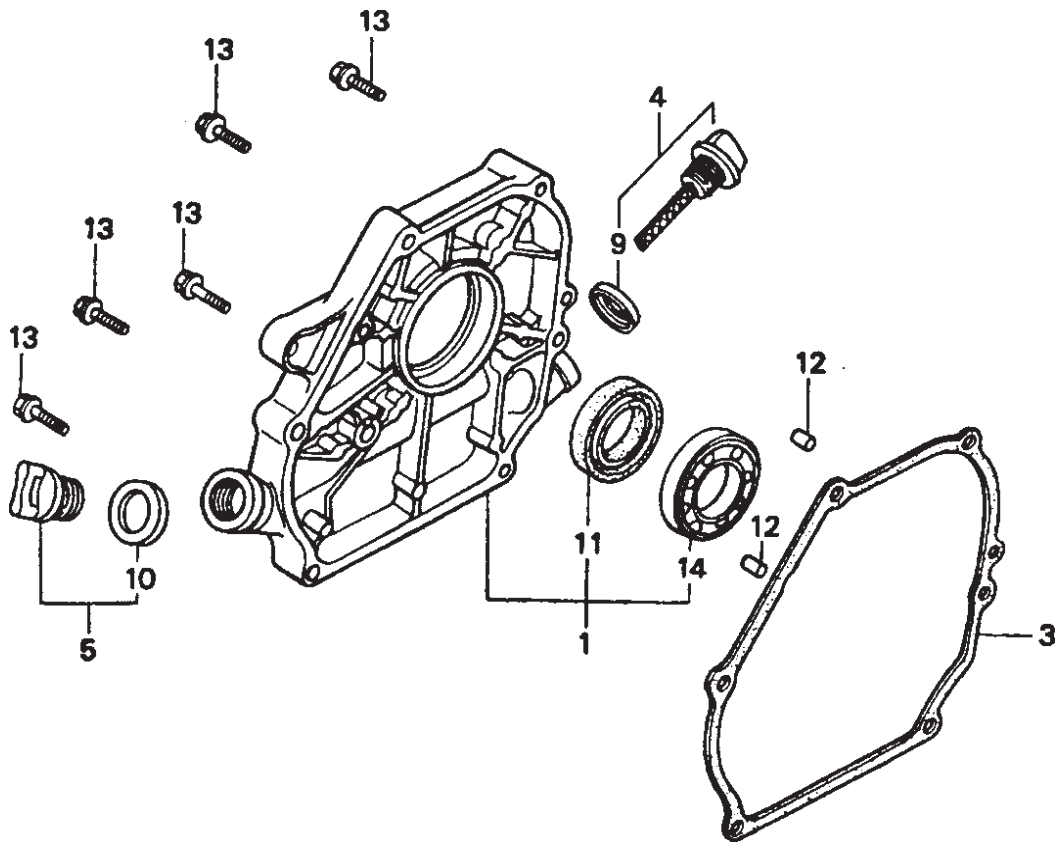
# HONDA GX160K1HX2 ENGINE — CYLINDER BARREL ASSY.

## CYLINDER BARREL ASSY.

<u>NO</u>	<u>PART NO</u>	<u>PART NAME</u>	<u>QTY.</u>	<u>REMARKS</u>
1	06165ZE1000	GOVERNOR KIT .....	1 .....	INCLUDES ITEMS W/*
2	12000ZH8811	CYLINDER ASSY. BARREL OIL ALERT .....	1 .....	INCLUDES ITEMS W%
3	15510ZE1023	SWITCH ASSY. OIL LEVEL	1	
4*	16510ZE1000	GOVERNOR ASSY. ....	1 .....	INCLUDES ITEMS/W#
5*#	16511ZE1000	WEIGHT, GOVERNOR	2	
7*#	16513ZE1000	PIN, GOVERNOR WEIGHT	2	
8*	16531ZE1000	SLIDER, GOVERNOR	1	
9	16541ZE1000	SHAFT, GOVERNOR ARM	1	
10	90131ZE1000	BOLT, DRAIN PLUG	2	
11*	90451ZE1000	WASHER, THRUST 6MM	1	
12	90601ZE1000	WASHER, DRAIN PLUG 10.2MM	2	
13*	90602ZE1000	CLIP, GOVERNOR HOLDER	1	
14%	91001ZF1003	BEARING, RADIAL BALL(6205)	1	
15%	91202883005	OIL SEAL 25x41x6	1	
16	91353671003	O-RING 14MM ARAI	1	
17	9405010000	NUT, FLANGE 10MM	1	
18,*	9410106800	WASHER, PLAIN, 6MM	2	
19	9425108000	PIN, LOCK, 8MM	1	
20	957010601200	BOLT, FLANGE 6 x 12	2	

# HONDA GX160K1HX2 ENGINE — CRANKCASE COVER ASSY.

CRANKCASE COVER ASSY.



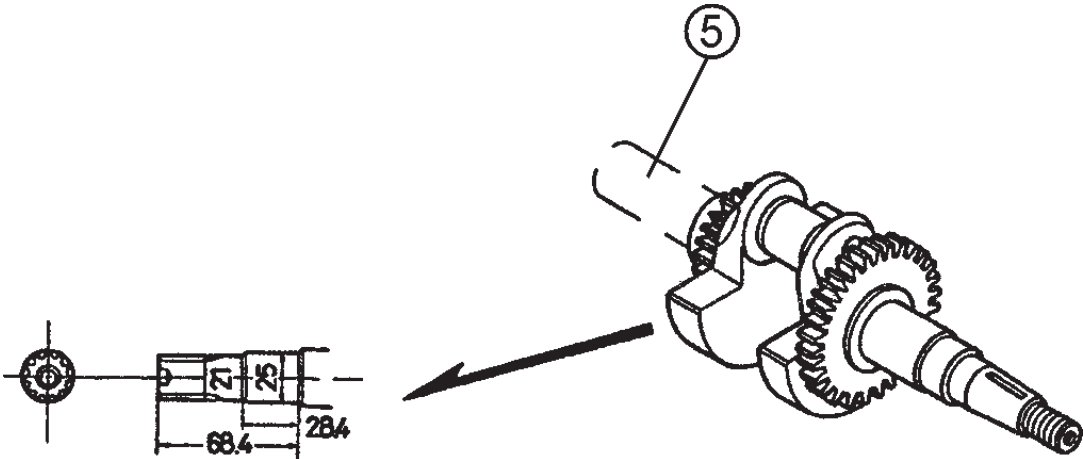
# HONDA GX160K1HX2 ENGINE — CRANKCASE COVER ASSY.

## CRANKCASE COVER ASSY.

<u>NO</u>	<u>PART NO</u>	<u>PART NAME</u>	<u>QTY.</u>	<u>REMARKS</u>
1	11300ZE1633	COVER ASSY, CRANKCASE (W TYPE) ...	1	INCLUDES ITEMS W/*
3	11381ZH8801	GASKET CASE COVER	1	
4	15600ZE1003	CAP ASSY, OIL FILLER .....	1	INCLUDES ITEMS W/#
5	15600ZG4003	CAP ASSY, OIL FILLER .....	1	INCLUDES ITEMS W/%
9#	15625ZE1003	GASKET, OIL FILLER CAP	1	
10%	15625ZE1003	GASKET, OIL FILLER CAP	1	
11*	91202883005	OIL SEAL, 25X41X6	1	
12	9430108140	PIN A, DOWEL 8X14	2	
13	957010803200	BOLT, FLANGE 8X32	6	
14*	961006205010	BEARING, RADIAL BALL, 6205	1	

**HONDA GX160K1HX2 ENGINE — CRANKSHAFT ASSY.**

CRANKSHAFT ASSY.



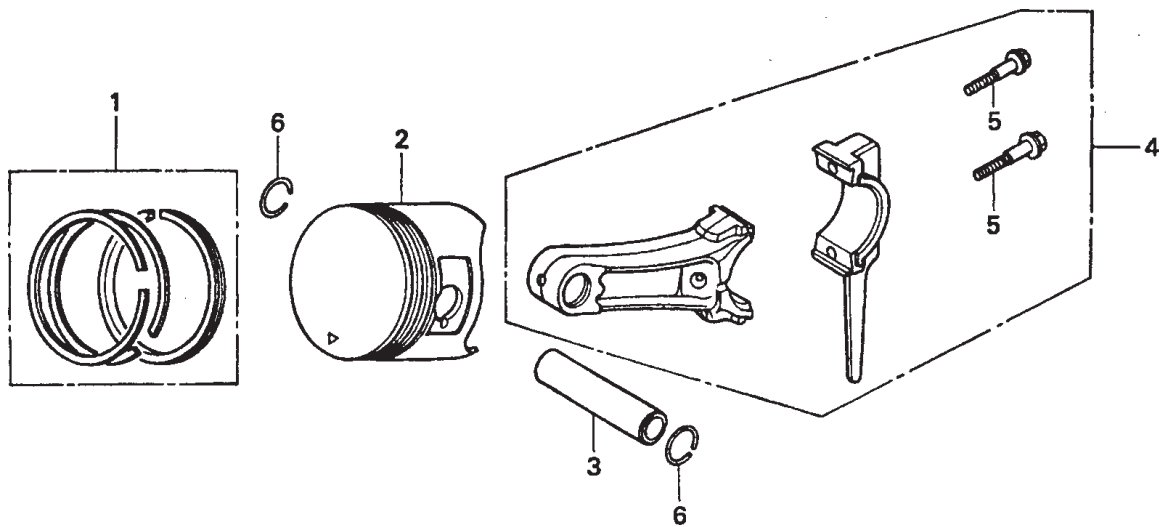
# HONDA GX160K1HX2 ENGINE — CRANKSHAFT ASSY.

CRANKSHAFT ASSY.

<u>NO.</u>	<u>PART NO.</u>	<u>PART NAME</u>	<u>QTY.</u>	<u>REMARKS</u>
5	13310ZE1621	CRANKSHAFT (H- TYPE)	1	

# HONDA GX160K1HX2 ENGINE — PISTON ASSY.

PISTON ASSY.



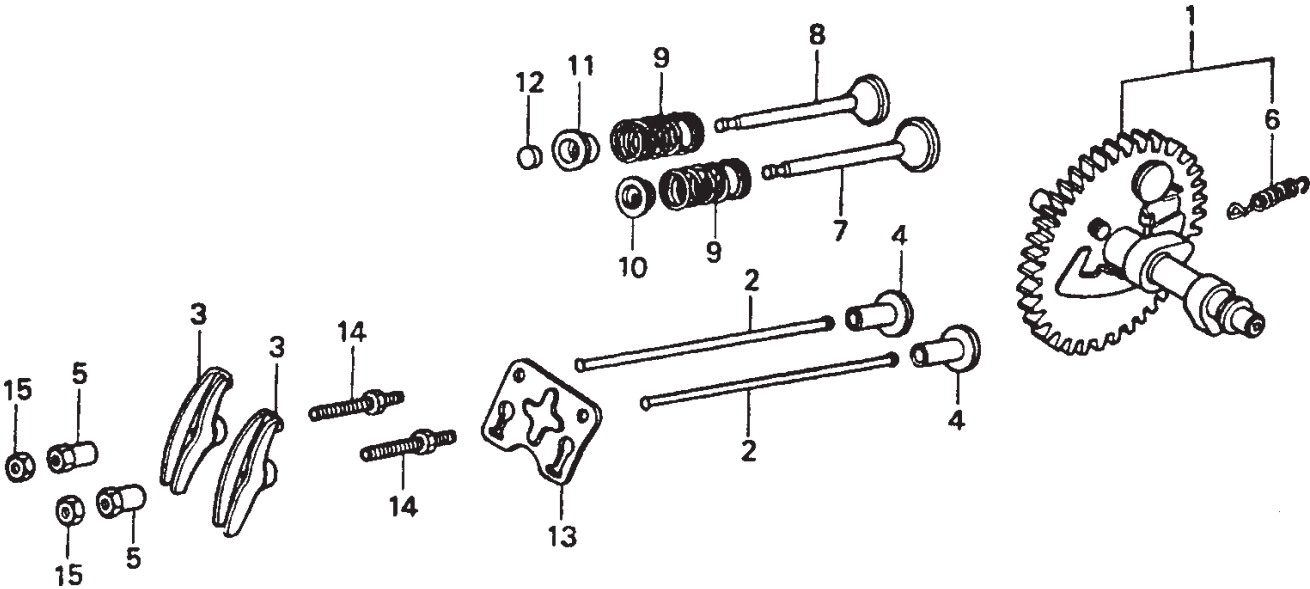
# HONDA GX160K1HX2 ENGINE — PISTON ASSY.

PISTON ASSY.

<u>NO</u>	<u>PART NO</u>	<u>PART NAME</u>	<u>QTY.</u>	<u>REMARKS</u>
1	13010ZF1023	RING SET, PISTON (STD)	1	
1	13011ZF1023	RING SET, PISTON (0.25)	1	
1	13012ZF1023	RING SET, PISTON (0.50)	1	
1	13013ZF1023	RING SET, PISTON (0.75)	1	
2	13101ZH8000	PISTON (STD)	1	
2	13102ZH8000	PISTON (0.25)	1	
2	13103ZH8000	PISTON (0.50)	1	
2	13104ZH8000	PISTON (0.75)	1	
3	13111ZE1000	PIN, PISTON	1	
4	132A0ZE1000	ROD ASSY, CONNECTING .....	1	INCLUDES ITEMS W/*
5*	90001ZE1000	BOLT, CONNECTING ROD	2	
6	90551ZE1000	CLIP, PISTON PIN, 18MM	2	

# HONDA GX160K1HX2 ENGINE — CAMSHAFT ASSY.

CAMSHAFT ASSY.



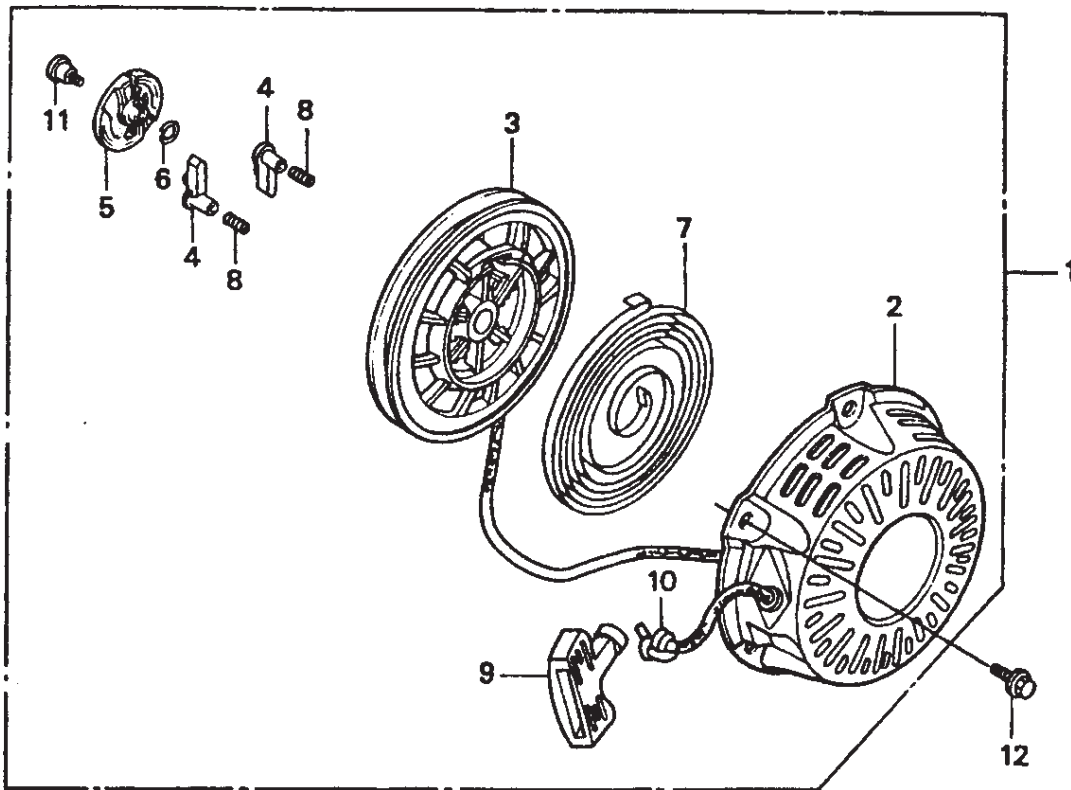
## HONDA GX160K1HX2 ENGINE — CAMSHAFT ASSY.

### CAMSHAFT ASSY.

<u>NO</u>	<u>PART NO</u>	<u>PART NAME</u>	<u>QTY.</u>	<u>REMARKS</u>
1	14100ZE1812	CAMSHAFT ASSY. ....	1	INCLUDES ITEMS W/*
2	14410ZE1010	ROD, PUSH	2	
3	14431ZE1000	ARM, VALVE ROCKER	2	
4	14441ZE1010	LIFTER, VALVE	2	
5	14451ZE1013	PIVOT, ROCKER ARM	2	
6*	14568ZE1000	SPRING, WEIGHT RETURN	1	
7	14711ZF1000	VALVE, IN.	1	
8	14721ZF1000	VALVE, EX.	1	
9	14751ZF1000	SPRING, VALVE	2	
10	14771ZE1000	RETAINER, IN. VALVE SPRING	1	
11	14773ZE1000	RETAINER, EX. VALVE SPRING	1	
12	14781ZE1000	ROTATOR, VALVE	1	
13	14791ZE1010	PLATE, PUSH ROD GUIDE	1	
14	90012ZE0010	BOLT, PIVOT	2	
15	90206ZE1000	NUT, PIVOT ADJUSTING	2	

# HONDA GX160K1HX2 ENGINE — RECOIL STARTER ASSY.

RECOIL STARTER ASSY.



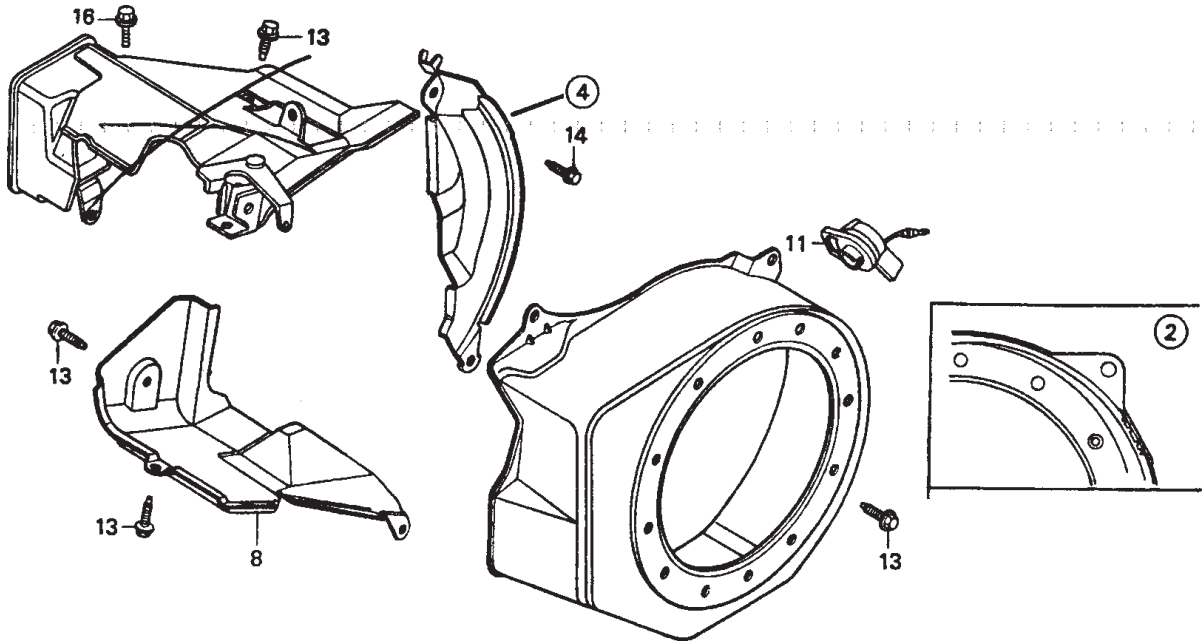
## HONDA GX160K1HX2 ENGINE — RECOIL STARTER ASSY.

### RECOIL STARTER ASSY.

<b>NO</b>	<b>PART NO</b>	<b>PART NAME</b>	<b>QTY.</b>	<b>REMARKS</b>
1	28400ZH8013ZB	STARTER ASSY, RECOIL NH1(BLACK) ...	1	INCLUDES ITEMS W/*
2*	28410ZH8003ZB	CASE COMP., RECOIL STARTER	1	
3*	28420ZH8013	REEL, RECOIL STARTER	1	
4*	28422ZH8013	RATCHET, STARTER	2	
5*	28433ZH8003	GUIDE, RATCHET	1	
6*	28441ZH8003	SPRING, FRICTION	1	
7*	28442ZH8003	SPRING, RECOIL STARTER	1	
8*	28443ZH8003	SPRING, RETURN	2	
9*	28461ZH8003	KNOB, RECOIL STARTER	1	
10*	28462ZH8003	ROPE, RECOIL STARTER	1	
11*	90003ZH8003	SCREW, SETTING	1	
12	957010600800	BOLT, FLANGE 6X8	3	

# HONDA GX160K1HX2 ENGINE — FAN COVER ASSY.

FAN COVER ASSY.



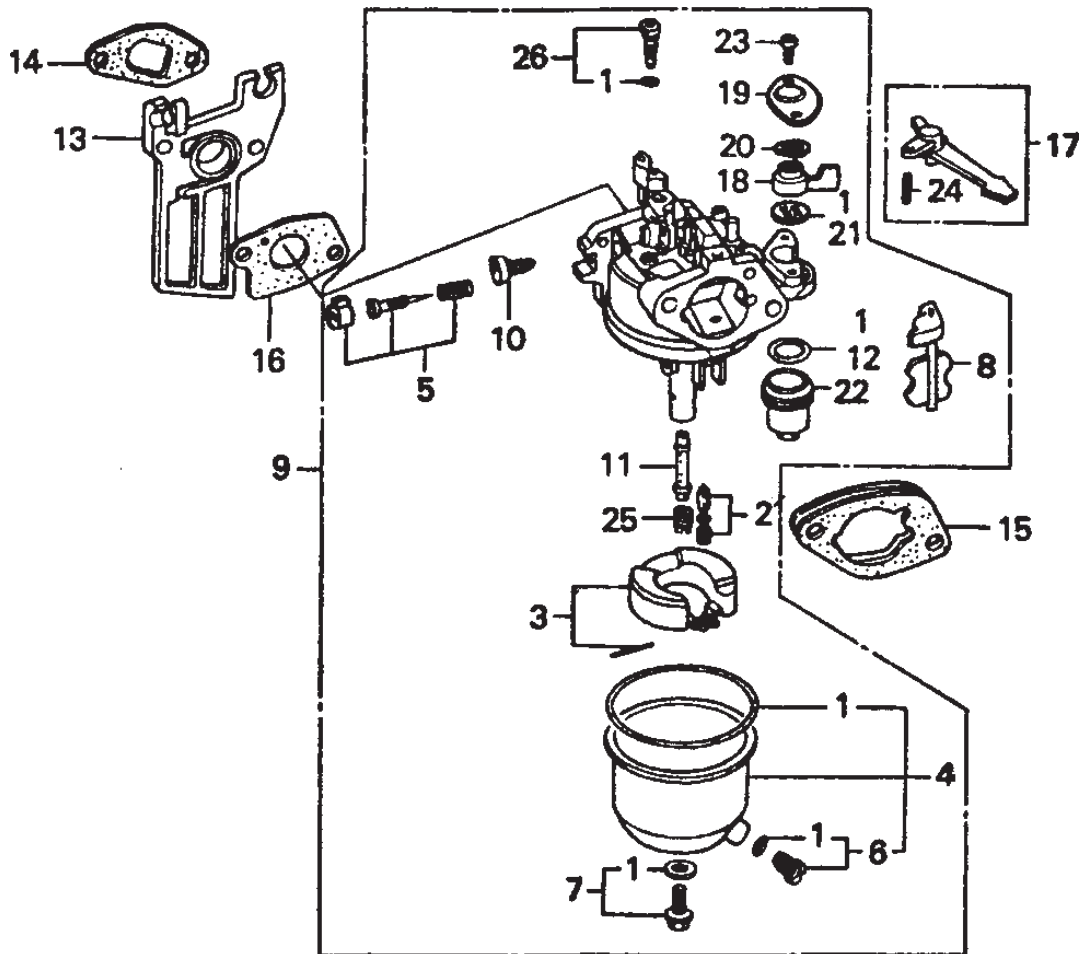
## HONDA GX160K1HX2 ENGINE — FAN COVER ASSY.

FAN COVER ASSY.

<u>NO</u>	<u>PART NO</u>	<u>PART NAME</u>	<u>QTY.</u>	<u>REMARKS</u>
2	19610ZE1000ZC	COVER COMP., FAN NH1(BLACK)	1	
4	19612ZH8810	PLATE, SIDE (STD)	1	
7	90601ZH7013	CLIP, HARNESS	1	
8	19630ZH8000	SHROUD COMP.	1	
10	32197ZH8003	SUB-HARNESS	1	
11	36100ZE1015	SWITCH ASSY., ENGINE	1	
14	90022888010	BOLT, FLANGE 6X20	1	

# HONDA GX160K1HX2 ENGINE — CARBURETOR ASSY.

CARBURETOR ASSY.



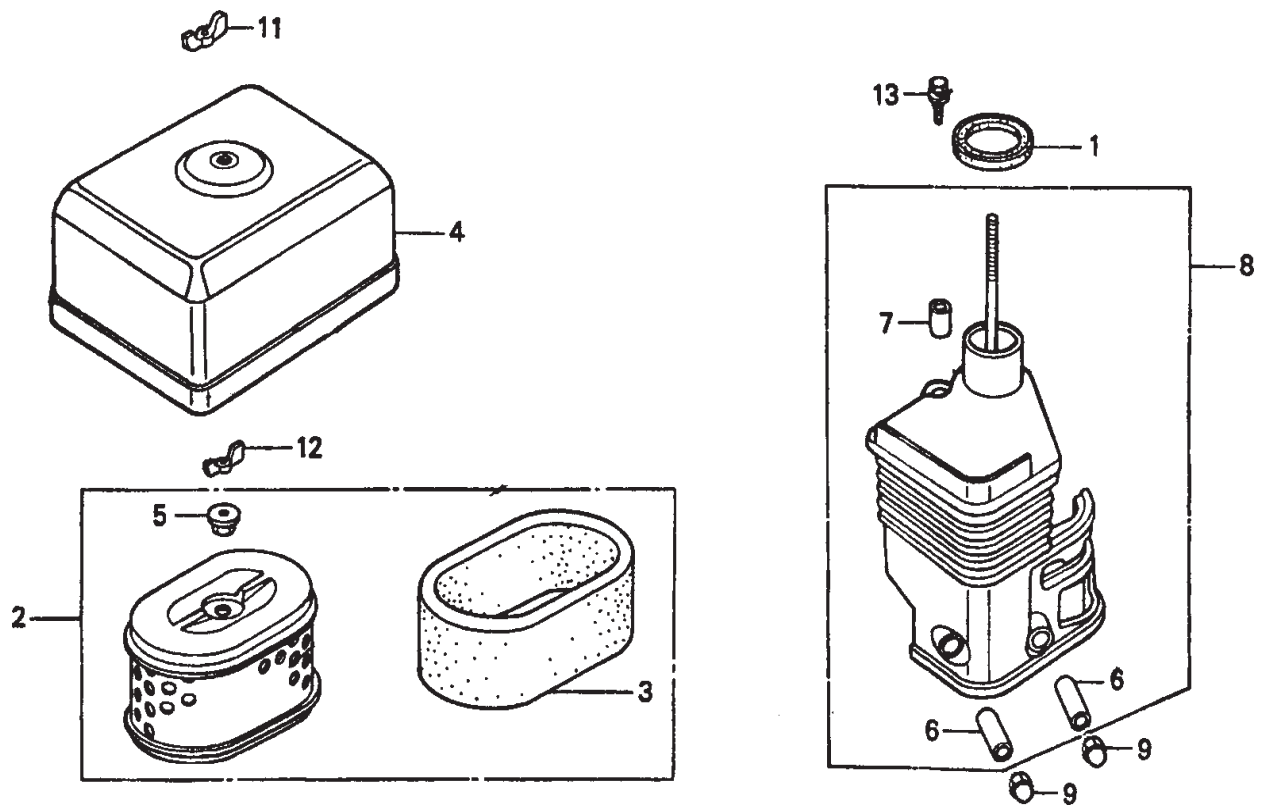
# HONDA GX160K1HX2 ENGINE — CARBURETOR ASSY.

## CARBURETOR ASSY.

<b>NO</b>	<b>PART NO</b>	<b>PART NAME</b>	<b>QTY.</b>	<b>REMARKS</b>
1*	16010ZE1812	GASKET SET	1	
2*	16011ZE0005	VALVE SET, FLOAT	1	
3*	16013ZE0005	FLOAT SET	1	
4*	16015ZE0831	CHAMBER SET, FLOAT .....	1	INCLUDES ITEMS W/%
5*	16016ZH7W01	SCREW SET	1	
6*%	16024ZE1811	SCREW SET DRAIN	1	
7*	16028ZE0005	SCREW SET B	1	
8*	16044ZE0005	CHOKE SET	1	
9	16100ZH8W51	CARBURETOR ASSY (BE65B) .....	1	INCLUDES ITEMS W/*
10*	16124ZE0005	SCREW, THROTTLE STOP	1	
11*	16166ZH8W50	NOZZLE, MAIN	1	
12*	16955283000	GASKET, FULL STRAINER CUP	1	
13	162111ZE1000	INSULATOR CARBURETOR	1	
14	16212ZH8800	GASKET, INSULATOR	1	
15	16220ZE1020	SPACER COMP. CARBURETOR	1	
16	16221ZH8801	GASKET CARBURETOR	1	
17	16610ZE1000	LEVER COMP., CHOKE (STD) .....	1	INCLUDES ITEMS W/#
18*	16953ZE1406	LEVER VALVE	1	
19*	16954ZE1812	PLATE LEVER SETTING	1	
20*	16956ZE1811	SPRING, PETCOCK LEVER	1	
21*	16957ZE1812	GASKET, PETCOCK	1	
22*	16967ZE0811	CUP, FUEL STRAINER	1	
23*	93500030060H	SCREW, PAN 3X6	2	
24#	9430520122	PIN, SPRING 2X12	1	
25*	99101ZH70650	JET, MAIN #65	1	
25*	99101ZH70680	JET, MAIN #68	1	
25*	99101ZH70700	JET, MAIN #70	1	
26*	99204ZE00350	JET SET, PILOT #35	1	

# HONDA GX160K1HX2 ENGINE — AIR CLEANER ASSY.

AIR CLEANER ASSY.



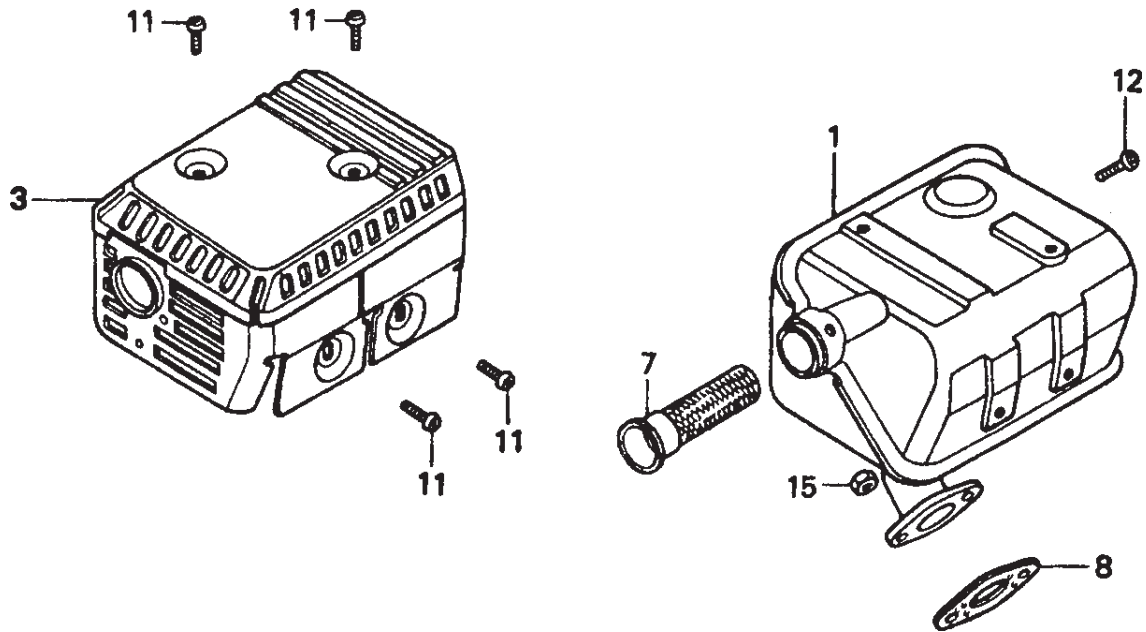
# HONDA GX160K1HX2 ENGINE — AIR CLEANER ASSY.

## AIR CLEANER ASSY.

<u>NO</u>	<u>PART NO</u>	<u>PART NAME</u>	<u>QTY.</u>	<u>REMARKS</u>
1	16271ZE1000	GASKET ELBOW	1	
2	17210ZE1505	AIR CLEANER ELEMENT DUAL .....	1	INCLUDES ITEMS W/#
3#	17218ZE1821	FILTER OUTER	1	
4	17230ZE1820	COVER AIR CLEANER DUAL	1	
5#	17232891000	GROMMET, AIR CLEANER	1	
6*	17238ZE7010	COLLAR, AIR CLEANER	1	
7*	17239ZE1000	COLLAR B, AIR CLEANER	1	
8	17410ZE1020	ELBOW COMP. AIR CLEANER .....	1	INCLUDES ITEMS W/*
9	90201415000	NUT CAP 6MM	2	
11	90325044000	NUT WING TOOL BOX SETTING	1	
12	90325044000	NUT WING TOOL BOX SETTING	1	
13	957010602000	BOLT FLANGE 6 x 20	1	

# HONDA GX160K1HX2 ENGINE — MUFFLER ASSY.

MUFFLER ASSY.



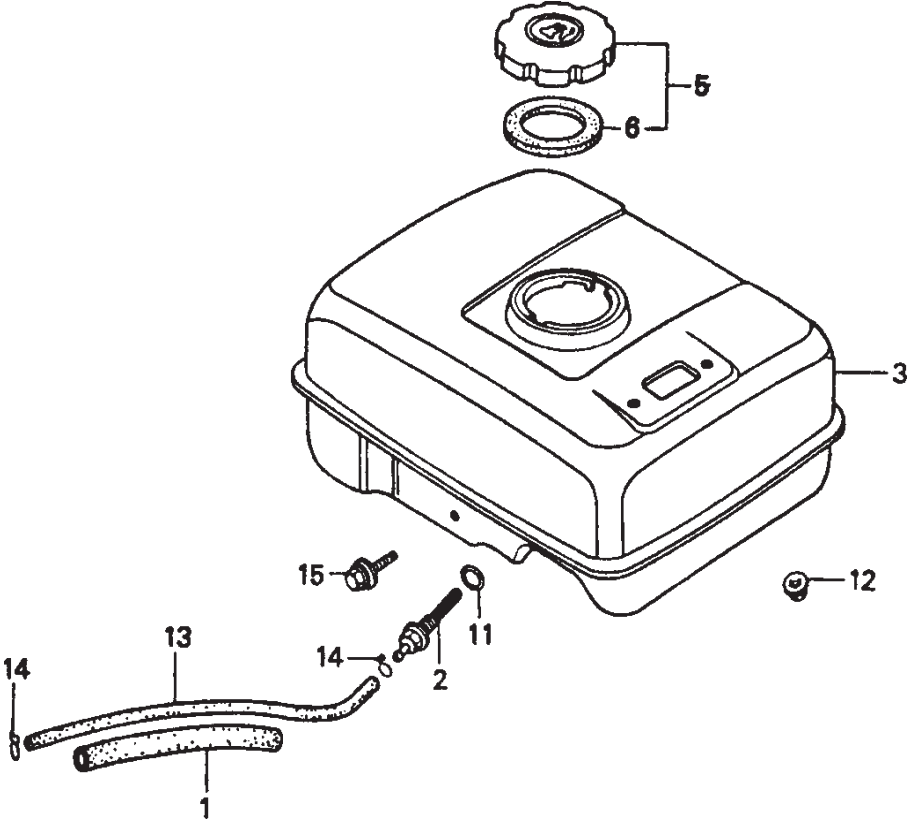
## HONDA GX160K1HX2 ENGINE — MUFFLER ASSY.

### MUFFLER ASSY.

<u>NO</u>	<u>PART NO</u>	<u>PART NAME</u>	<u>QTY.</u>	<u>REMARKS</u>
1	18310ZH8810	MUFFLER COMP.	1	
3	18320ZF1H01	PROTECTOR, MUFFLER	1	
7	18355ZE1000	ARRESTER, SPARK	1	
8	18381ZH8800	GASKET, MUFFLER	1	
11	90050ZE1000	SCREW, TAPPING 5X8	4	
12	90055ZE1000	SCREW, TAPPING 4X6	1	
15	94001080000S	NUT, HEX (8MM)	2	

# HONDA GX160K1HX2 ENGINE — FUEL TANK ASSY.

FUEL TANK ASSY.



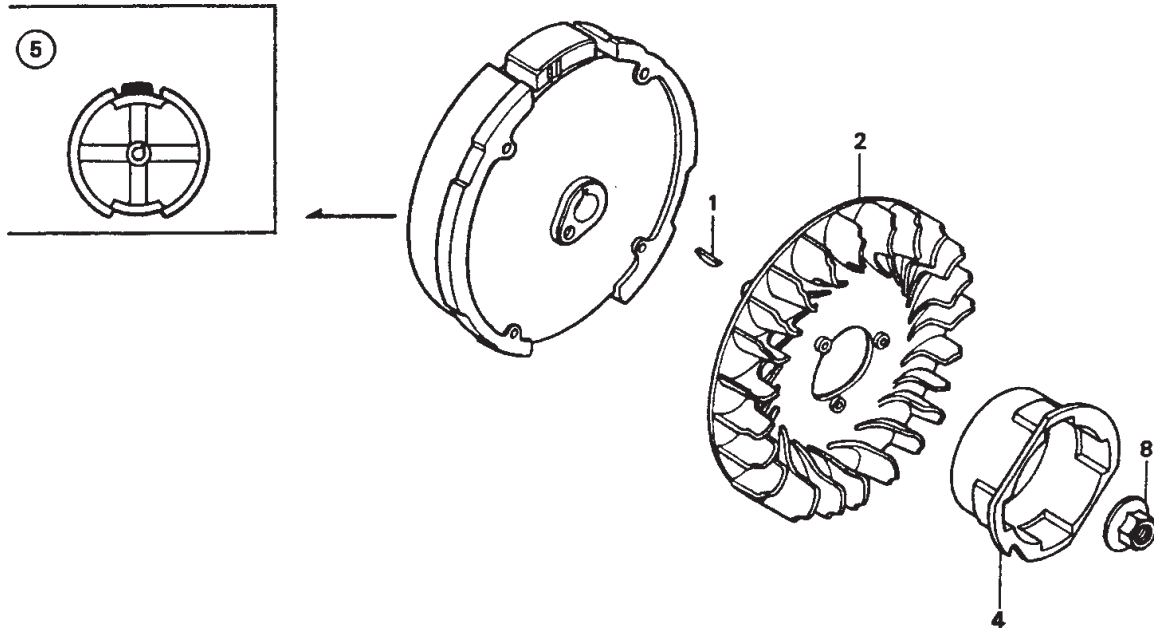
## HONDA GX160K1HX2 ENGINE — FUEL TANK ASSY.

### FUEL TANK ASSY.

<u>NO</u>	<u>PART NO</u>	<u>PART NAME</u>	<u>QTY.</u>	<u>REMARKS</u>
1	16854ZH8000	RUBBER, SUPPORTER	1	
2	16955ZE1000	JOINT, FUEL TANK	1	
3	17510ZE1020ZF	TANK COMP., FUEL NH1 (BLACK)	1	
5	17620ZH7013	CAP COMP., FUEL FILLER .....	1	INCLUDES ITEMS W/#
6#	17631ZH7003	GASKET, FUEL FILLER CAP	1	
11	91353671003	O-RING (14MM) ARAI	1	
12	9405006000	NUT, FLANGE (6MM)	2	
13	950014500840M	BULK HOSE, FUEL (4.5X8000) (4.5X140)	1	
14	9500202080	CLIP, TUBE (B8)	2	
15	957010602500	BOLT, FLANGE (6X25)	1	

# HONDA GX160K1HX2 ENGINE — FLYWHEEL ASSY.

FLYWHEEL ASSY.



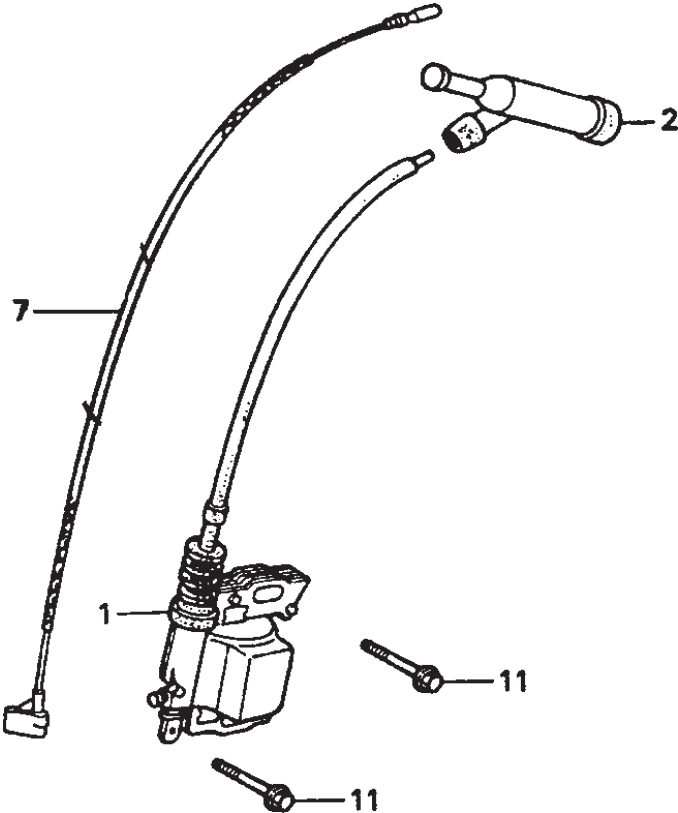
## HONDA GX160K1HX2 ENGINE — FLYWHEEL ASSY.

FLYWHEEL ASSY.

<u>NO</u>	<u>PART NO</u>	<u>PART NAME</u>	<u>QTY.</u>	<u>REMARKS</u>
1	13331357000	KEY, SPECIAL WOOD RUFF, 25X18	1	
2	19511ZE1000	FAN, COOLING	1	
4	28451ZH8003	PULLEY STARTER	1	
5	31100ZE1000	FLYWHEEL COMP.	1	
8	90201878003	NUT, SPECIAL, 14MM	1	

# HONDA GX160K1HX2 ENGINE — IGNITION COIL ASSY.

IGNITION COIL ASSY.



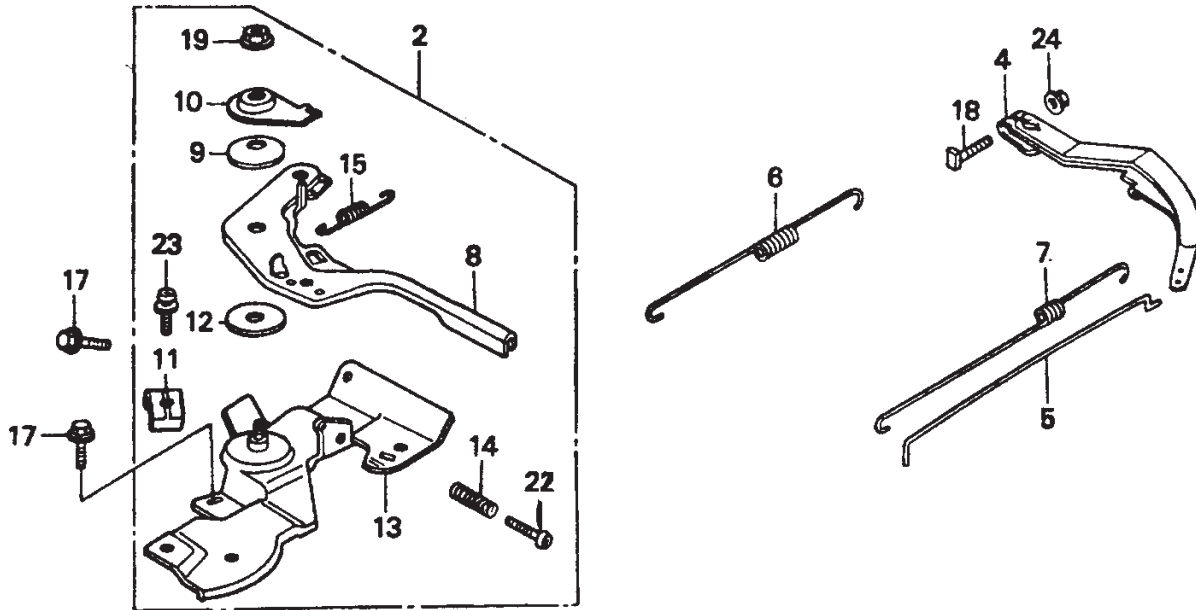
# HONDA GX160K1HX2 ENGINE — IGNITION COIL ASSY.

## IGNITION COIL ASSY.

<u>NO</u>	<u>PART NO</u>	<u>PART NAME</u>	<u>QTY.</u>	<u>REMARKS</u>
1	30500ZE1033	COIL ASSY., IGNITION	1	
2	30700ZE1013	CAP ASSY., NOISE SUPPRESSOR	1	
7	36101ZE1010	WIRE, STOP SWITCH (370MM)	1	
11	90121952000	BOLT, FLANGE, 6X25	2	

# HONDA GX160K1HX2 ENGINE — CONTROL ASSY.

CONTROL ASSY.



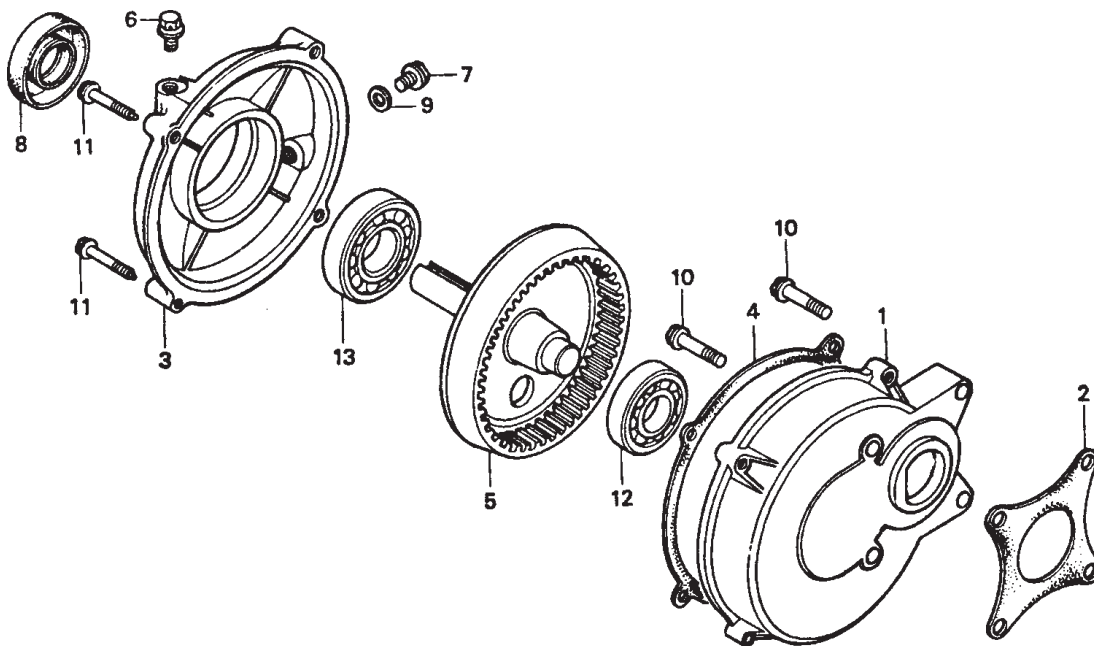
# HONDA GX160K1HX2 ENGINE — CONTROL ASSY.

## CONTROL ASSY.

<u>NO</u>	<u>PART NO</u>	<u>PART NAME</u>	<u>QTY.</u>	<u>REMARKS</u>
2	16500ZH8821	CONTROL ASSY., REMOTE .....	1 .....	INCLUDES ITEMS W/*
4	16551ZE0010	ARM, GOVERNOR	1	
5	16555ZE1000	ROD, GOVERNOR	1	
6	16561ZE1020	SPRING, GOVERNOR	1	
7	16562ZE1020	SPRING, THROTTLE RETURN	1	
8*	16571ZH8000	LEVER, CONTROL	1	
9*	16574ZE1000	SPRING, LEVER	1	
10*	16575ZH8000	WASHER, CONTROL LEVER	1	
11*	16576891000	HOLDER, CABLE	1	
12*	16578ZE1000	SPACER, CONTROL LEVER	1	
13*	16580ZH8811	BASE COMP., CONTROL	1	
14*	16584883300	SPRING, CONTROL ADJUSTING	1	
15*	16592ZE1810	SPRING, CABLE RETURN	1	
17	90013883000	BOLT, FLANGE (6X12)	2	
18	90015ZE5010	BOLT, GOVERNOR ARM	1	
19*	90114SA0000	NUT, SELF- LOCK (6MM)	1	
22*	93500050250H	SCREW, PAN (5X25)	1	
23*	938930501600	SCREW WASHER (5X16)	1	
24	9405006000	NUT, FLANGE, 6MM	1	

# HONDA GX160K1HX2 ENGINE — GEAR REDUCTION ASSY.

GEAR REDUCTION ASSY.



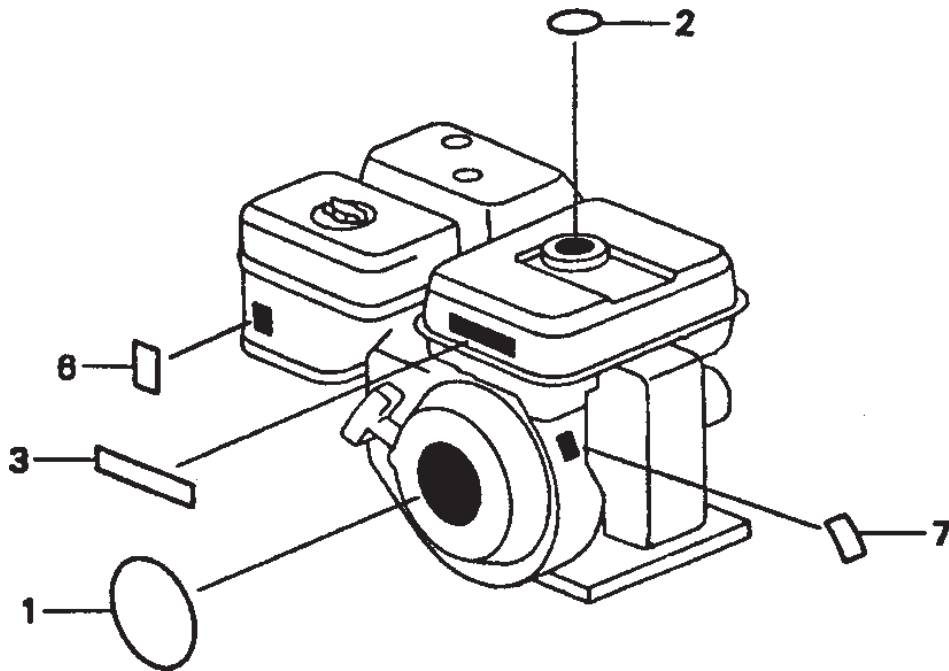
## HONDA GX160K1HX2 ENGINE — GEAR REDUCTION ASSY.

### GEAR REDUCTION ASSY.

<u>NO.</u>	<u>PART NO.</u>	<u>PART NAME</u>	<u>QTY.</u>	<u>REMARKS</u>
1	21521883741	CASE, REDUCTION	1	
2	21591ZH8740	GASKET, REDUCTION CASE	1	
3	21621883741	COVER, REDUCTION	1	
4	21692ZH8800	GASKET, REDUCTION COVER	1	
5	23710883740	SHAFT, P.T.O.	1	
6	90002883740	BOLT, BREATHING	1	
7	90131883000	BOLT, DRAIN PLUG	1	
8	91202883005	OIL SEAL, 25 x 41 x 6	1	
9	9410912000	WASHER, DRAIN PLUG	1	
10	957010803208	BOLT, FLANGE 8 x 32	1	
11	957010803500	BOLT, FLANGE 8 x 35	1	
12	961006204000	BEARING, RADIAL BALL 6204	1	
13	961006305000	BEARING, RADIAL BALL 6305	1	

# HONDA GX160K1HX2 ENGINE — LABEL ASSY.

LABEL ASSY.



## HONDA GX160K1HX2 ENGINE — LABEL ASSY.

ENGINE LABELS ASSY.

<u>NO.</u>	<u>PART NO.</u>	<u>PART NAME</u>	<u>QTY.</u>	<u>REMARKS</u>
1	87521ZH8020	ENBLEM 5.5	1	
3	87522ZH9000	LABEL, CAUTION	1	
6	87528ZE1810	MARK, CHOKE	1	
7	87530ZH8810	LABEL, SPECIFICATION (EXTERNAL)	1	
8	87532ZH8810	MARK, OIL ALERT (E)	1	
15	887586ZH7W00	LABEL, FUEL CAUTION	1	