



# SERVICE MANUAL 2-48DC

VERSION 1.0

**EC DECLARATION OF CONFORMITY**

in accordance with Appendix II sub A of Directive 2006/42/EC

**BLASTRAC B.V.**

Utrechthaven 12  
NL - 3433 PN NIEUWEGEIN  
Tel: 0031 (0)30 601 88 66  
Fax: 0031 (0)30 601 83 33  
Info@Blastrac.nl  
The Netherlands

Declare under our sole responsibility that the machine as described below conforms with the Health and Safety requirements of the European Directive of the machine Safety.

In case of changes to the machine without our written authorization this declaration loses its validity.

**Model:** **BLASTRAC 2-48DC** **Serial number:** .....

1. satisfies the conditions set out in the Machine Directive (Directive 2006/42/EC); Low voltage directive (2006/95/EC, as last amended; EMC directive 2004/108/EC, as last amended)
2. satisfies the following harmonized standards:  
NEN-EN 349, NEN-EN 418, NEN-EN 294 and NEN-EN 60204

Nieuwegein .....

  
Michiel Kaltefleiter



## Index

<b>1. Spare parts</b>	<b>04</b>
<b>Contact</b>	<b>12</b>



# 1. Spare parts

Fig. 01

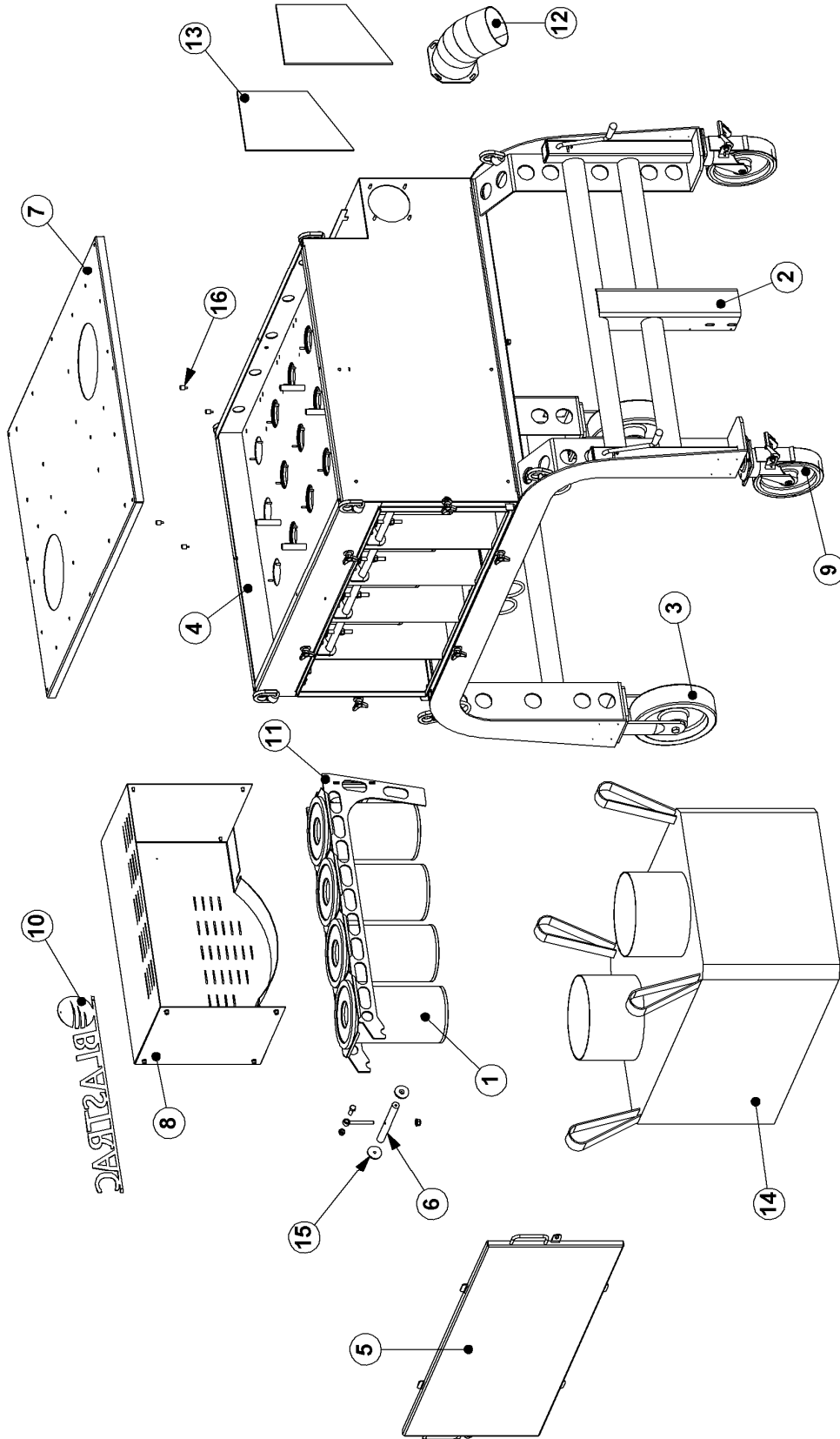


Fig. 01

Item	Blastrac Part number	HQV Part number	Description	Qty.
1	E10218	533994501	Cartridge filter	20
2	E08741	535231101	Frame 2-48DC	1
3	E08772	534809001	Wheel	2
4	E08743	535177701	Filter house	1
5	E08744	535165301	Door filter house	1
6	E08747	-	Locking bar	5
7	E08750	535177901	Filter house cover	1
8	E08753	535151001	Compressor cover	1
9	E10207	533953401	Swivel castor	2
10	E08754	535111501	Logo Blastrac	1
11	E08745	-	Filter bracket	5
12	E08768	535171701	Elbow	2
13	E09041	534815201	Rubber impact plate	2
14	E08784	533993301	Big bag	1
15	E09021	-	Washer locking bar	10
16	E03466	534014001	Shock absorber	4

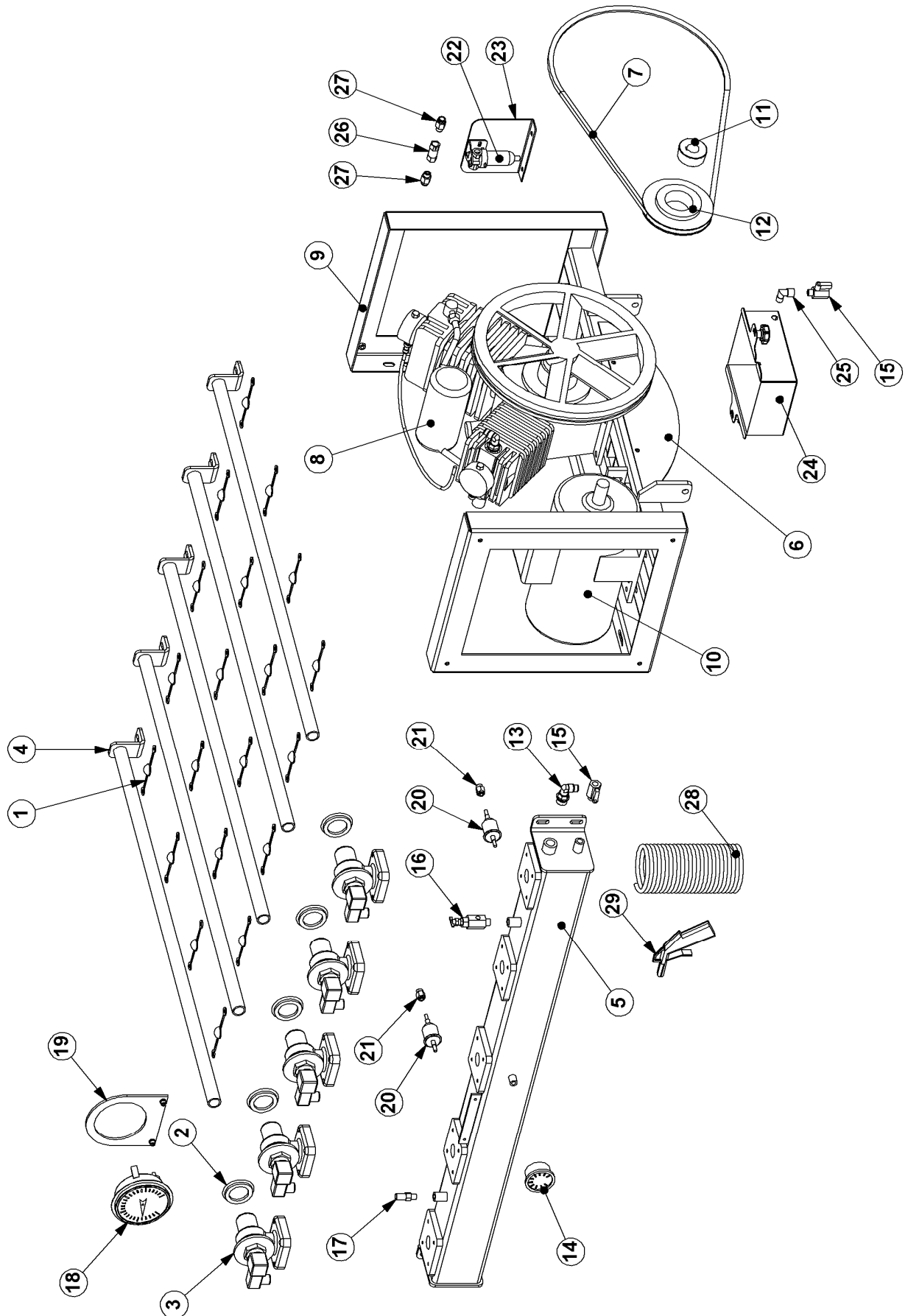


Fig. 02



Fig. 02

Item	Blastrac Part number	HQV Part number	Description	Qty.
1	E07763	533465401	Divider	20
2	E04568	534341901	Filter house seal	5
3	E06367	533798101	Air valve 24V AC	5
4	E08748	535230001	Pulse pipe	5
5	E08749	535230101	Pulse tank	1
6	E08756	535228701	Protection plate	1
7	491825	534930601	V-belt	1
8	E03118	533727001	Compressor	1
9	E08751	535150901	Compressor bracket	1
10	976688	533241801	Compressor motor 1.5kW	1
11	222-2270	534892401	Taper lock bush	1
12	491824	534892601	Taper lock pulley	1
13	B20057	533764501	Adaptor knee 10x1/2"	1
14	E10349	533823401	Mounting manometer	1
15	E14003	533838601	Mini ball valve 1/4" m/f bsp	2
16	490691	534411701	Control valve	1
17	E01303	533256701	Safety valve	1
18	491837	534775201	Difference pressure manometer	1
19	E08773	535162301	Difference pressure manometer support	1
20	2381-365	533529701	Filter vacuum gauge	2
21	E03216	534739901	Hose conn.straight 6x1/4" mbsp	2
22	E07456	533842701	Water separator continous drain system 1/4"	1
23	E08775	535225901	Plate water separator	1
24	E06932	533250501	Drain box	1
25	E03197	533527901	Knee 1/4" MBSPT x 1/4" FBSP	1
26	B21750	533730501	Non return valve 1/4" fbsp	1
27	E00674	533884801	Hose conn.straight 10x1/4" mbsp	2
28	DA--9290.2	534296001	Airhose 6 MM. L 5 MTR.	1
29	DA--9290.1	534295001	Airpistol	1

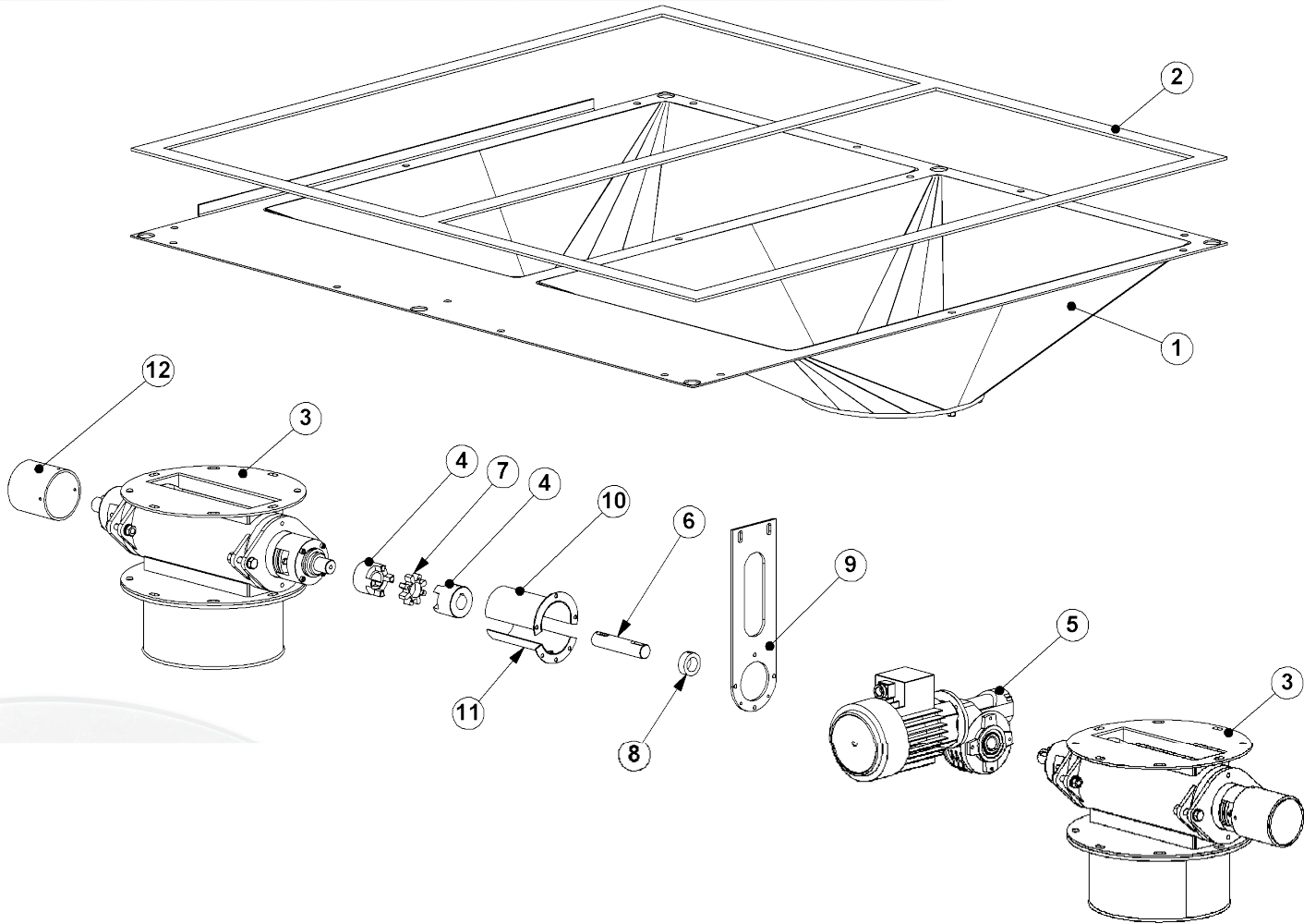


Fig. 3

Item	Blastrac Part number	HQV Part number	Description	Qty.
1	E08766	535170001	Dust hopper	1
2	E00689	533022401	Adhesive seal 20x5 L=13500	1
3	E09024	533226501	Rotating valve assembly	2
4	E09040	534812601	Rotex coupling	2
5	E00590	533856101	Drive motor AC incl. gearbox	1
6	E09010	534414301	Coupling shaft	1
7	E04052	533061801	Rotex coupling insert	1
8	BE0162	-	Adjusting ring 25x40x16	1
9	E09009	535166401	Drive motor plate	1
10	E09012	534779301	Protection cover	1
11	E09020	534779201	Protection cover bottom	1
12	B20515	533224801	Shaft cover	2

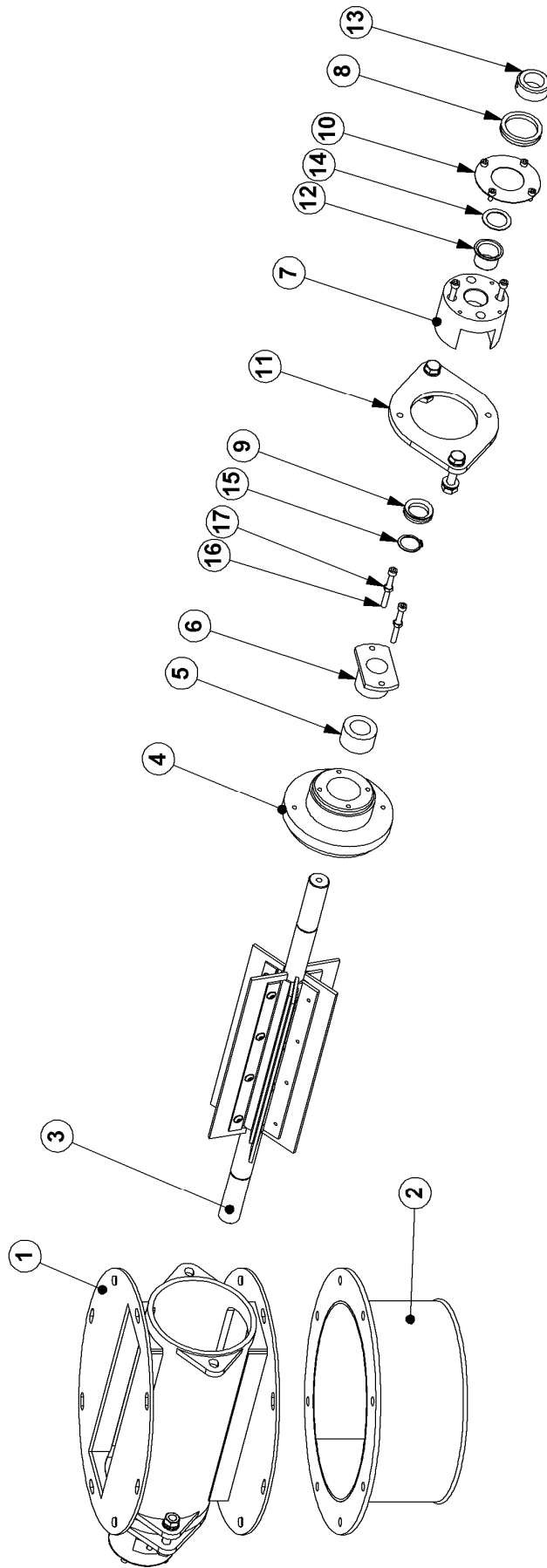
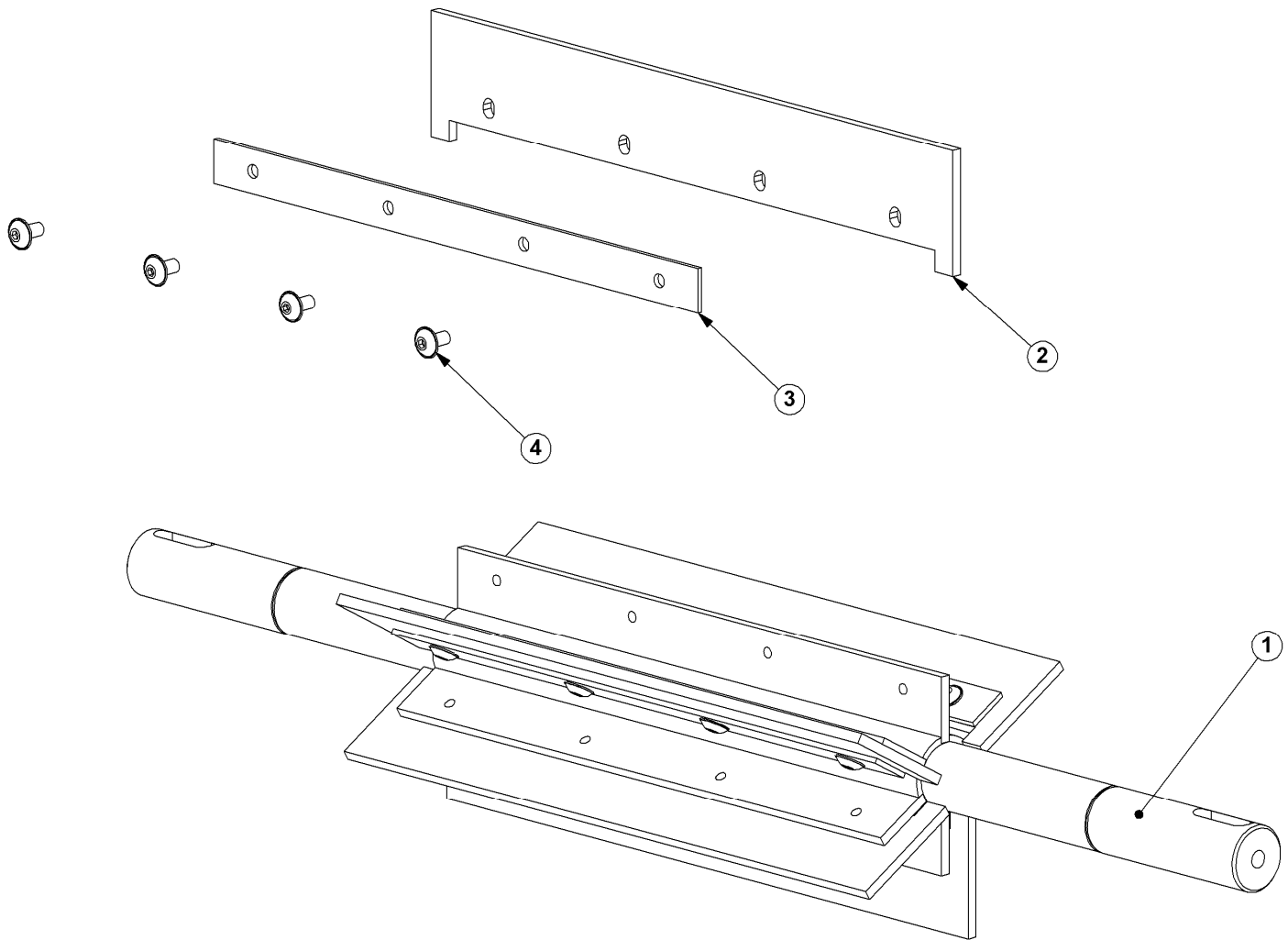


Fig. 4



Item	Blastrac Part number	HQV Part number	Description	Qty.
1	E09022	535235301	Rotating valve housing	1
2	E09023	535107701	Big bag adapter	1
3	E09025	-	Rotating valve axle complete	1
4	E09029	534823501	Seal house	2
5	E09030	534600601	Gland seal	2
6	E09031	534774601	Pressing bush	2
7	E09032	534315901	Bearing house valve	2
8	E09033	534930101	V-seal Ø40 shaft	2
9	E09034	534930001	V-seal CR 400450	2
10	E09035	535263201	Valve cover	2
11	E09011	535149401	Clamp plate	2
12	E06032	534581901	Flanged bush 25x28 L21.5	2
13	BE0162	-	Adjusting ring 25x40x16	2
14			Shim 25x35x1	2
15			Circlip Ø25 for shaft	2
16			M6x55 Hexagon Socket Head Cap	8
17			M6-Nut	4



**Fig. 05**

Item	Part number	Description	Qty.
1	E09026	Rotating valve axle	1
2	E09027	Rotating valve rubber blade	6
3	E09028	Rotating valve clamp plate	6
4	BE0685	M5x10 hex socket butt h cap w flange	24

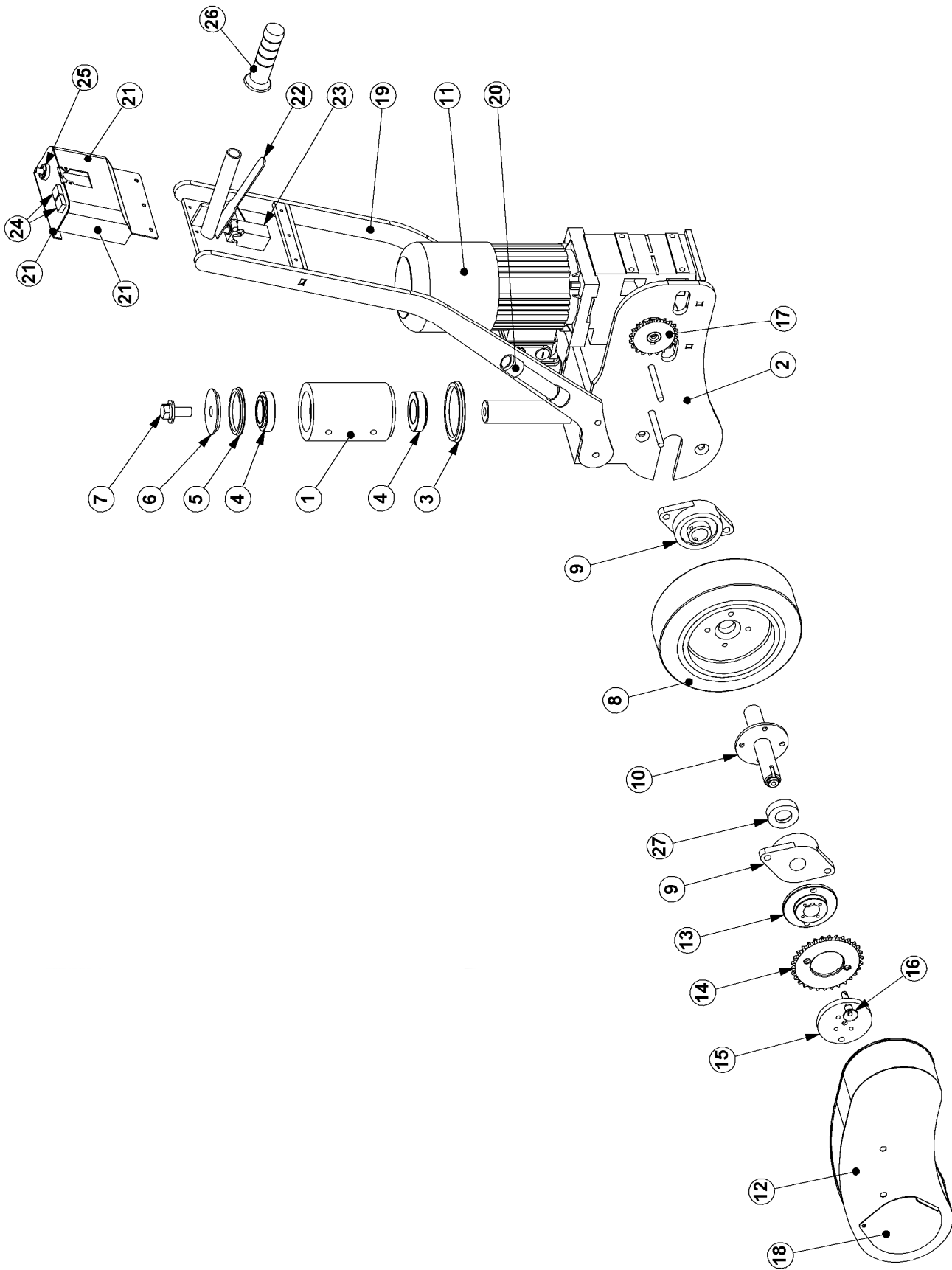


Fig. 06



Item	Blastrac Part number	HQV Part number	Description	Qty.
1	E09036	534313301	Bearing barrel	1
2	E00739	533457501	Drive wheel bracket	1
3	E02336	534929701	V-ring seal	1
4	E02253	534313001	Tapered roller bearing	2
5	E02335	534929601	V-ring seal	1
6	E02232	534314501	Bearing cover plate	1
7	BE0381	-	M16x40 Bolt	1
8	476405	534907101	Traction wheel	1
9	976682	531474201	Bearing	2
10	E00742	533956301	Drive wheel shaft	1
11	E00664	535723701	Drive motor 1.1kW	1
12	E00744	533068001	Chain guard	1
13	488551	534642001	Hub	1
14	477631	534640601	Idler sprocket	1
15	477630	534863101	Sprocket retainer	1
16	478198	533256401	Quick release pin	1
17	E00732	533781301	Drive sprocket	1
18	979971	534387301	Cover plate chain guard	1
19	E00737	533103101	Steering handle	1
20	E00368	533368001	Cable guide- end	2
21	E00740	533241401	Control box	1
22	E00743	533783701	Switch lever	1
23	454796	534668101	Limit switch	1
24	E00867	533850701	switch	2
25	E00866	533613001	Potentiometer	1
26	453290	534612901	Handle grip	1
27	E07293	533318901	Distance bush drive wheel	1

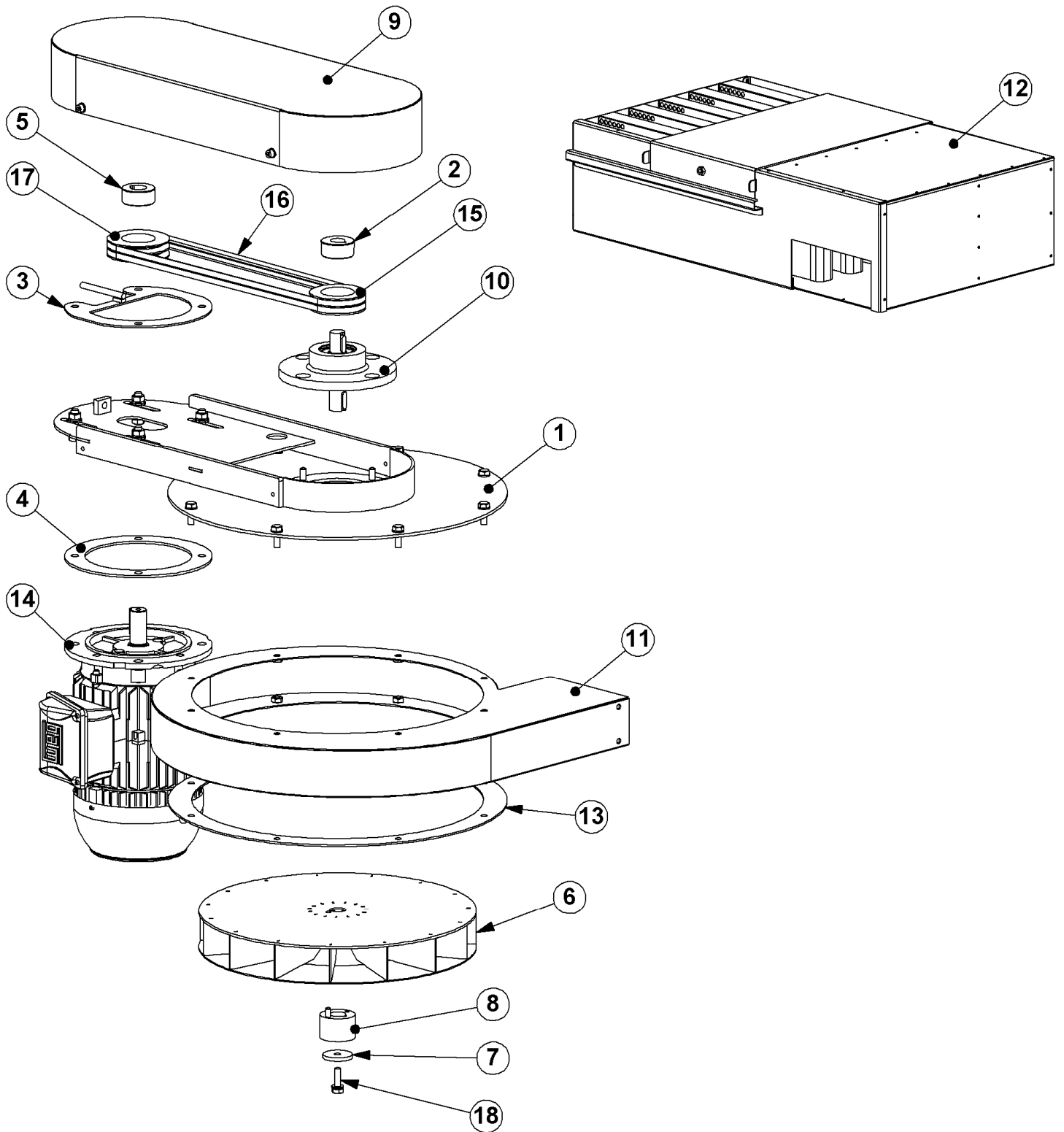


Fig. 07



Item	Blastrac Part number	HQV Part number	Description	Qty.
1	E07059	533480701	Motor mounting bracket	1
2	222-2301-V	531490901	Taperlock bush	1
3	E07067	533162601	Tension plate	1
4	E07069	533617701	Fill up ring fan motor	1
5	976657	533868101	Taperlock bush	1
6	E06954	533463101	Fan impeller	1
7	E03195	533037101	Ring fan	1
8	E06965	533150701	Fan hub	1
9	E07070	533157101	Belt guard	1
10	E07594	533496301	BU fan unit	1
11	E06989	533455501	Fan housing	1
12	E09039	533078701	Silencer 2-48DC	1
13	E09019	534038901	Fill up ring fan unit	1
14	E06118-IE2	534053501	Motor 7.5kW IE2	1
15	E00620	533880001	Belt pulley	1
16	E07561	533437501	V-belt	2
17	E07278	533719001	Belt pulley 60Hz	1
	976656	533184901	Belt pulley 50Hz	1
18	BE0088	533851101	M10x35 Bolt	1



#### Headquarter

##### **Blastrac The Netherlands**

Utrechthaven 12  
 NL – 3433 PN Nieuwegein  
 Tel – 0031 30 601 88 66  
 Fax – 0031 30 601 83 33  
 Info@blastrac.nl

##### **Blastrac Poland**

Golina, Dworcowa 47a  
 PL – 63-200 Jarocin  
 Tel – 0048 627 40 41 50  
 Fax – 0048 627 40 41 51  
 Info@blastrac.pl

##### **Blastrac Italy**

S.S. 10 Padana Inferiore, 41  
 IT – 29012 Caorso (PC)  
 Tel – 0039 0523 81 42 41  
 Fax – 0039 0523 81 42 45  
 Info@blastra.it

##### **Blastrac United Kingdom**

Unit 2, Outgang Lane, Dinnington  
 Sheffield, South Yorkshire  
 GB – S25 3QY, England  
 Tel – 0044 1909 56 91 18  
 Fax – 0044 1909 56 75 70  
 Info@blastrac.co.uk

##### **Blastrac Germany**

Richard Byrd Straße 15  
 D – 50829 Köln (Ossendorf)  
 Tel – 0049 221 70 90 32 0  
 Fax – 0049 221 70 90 32 22  
 Info@blastrac.de

##### **Blastrac Spain**

Calle Copernico, 16  
 Nave 2  
 E – 28820 Coslada  
 Tel – 0034 91 660 10 65  
 Fax – 0034 91 672 72 11  
 Info@blastrac.com.es

##### **Blastrac France (ZI)**

29, Avenue des Temps Modernes  
 F – 86360 Chasseneuil du Poitou  
 Tel – 0033 549 00 49 20  
 Fax – 0033 549 00 49 21  
 Info@blastrac.fr

##### **Blastrac Ukraine**

Nezalezhnosti 14, of. 21  
 UA – 07400 Brovary  
 Tel – 0038 44 222 51 28  
 Fax – 0038 44 277 98 29  
 Info@blastrac.com.ua