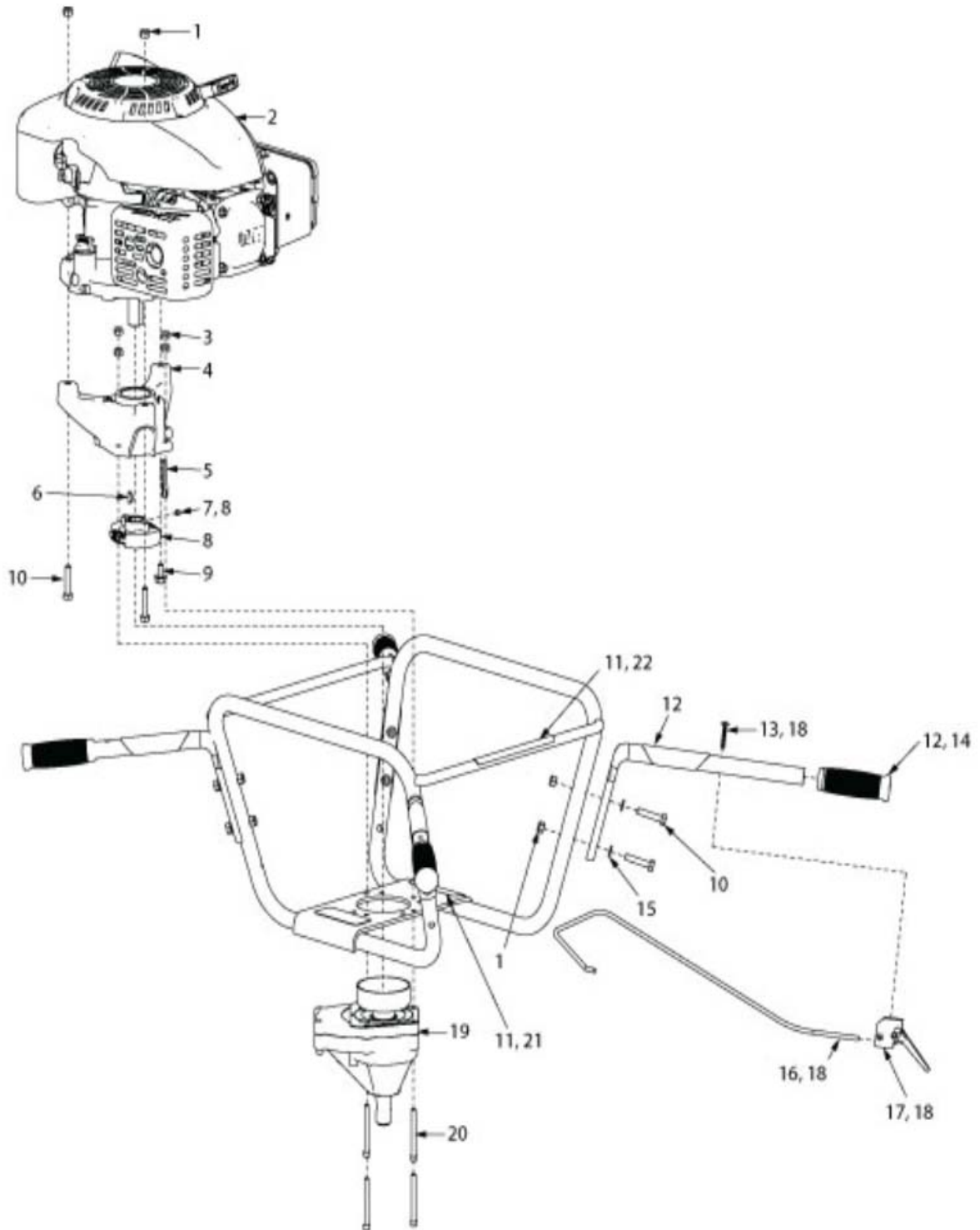


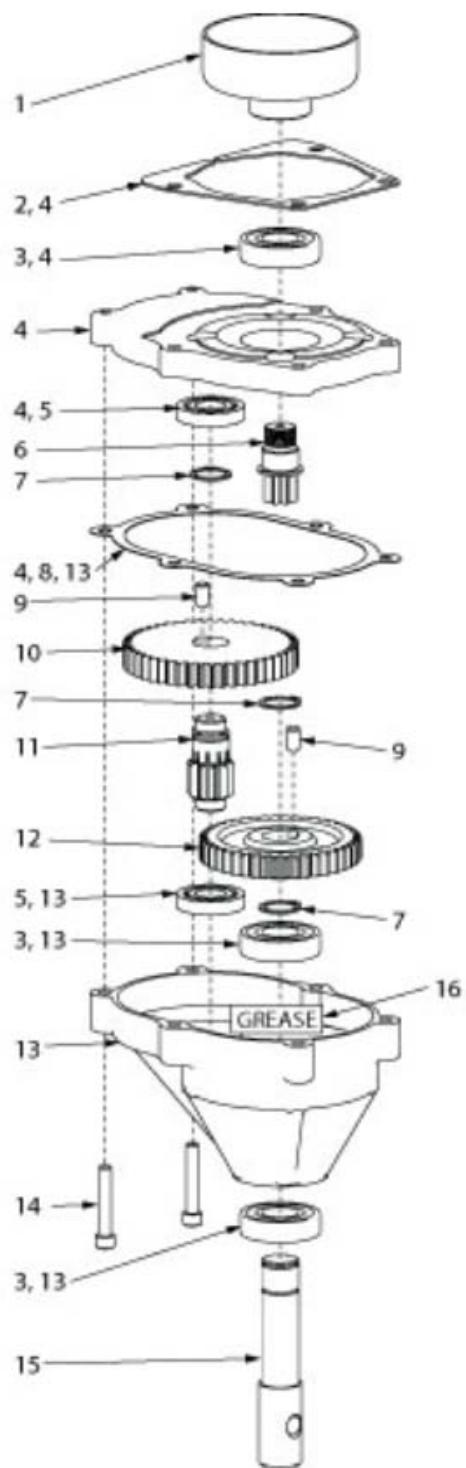
9800K POWERHEAD 2-MAN 4-CYCLE XT775 KOHLER (SERIES # 029999, MODEL YEAR 2017)

COMPLETE ASSEMBLY



Key No.	Part No.	Description
1	60G5NY	60G5NY NUT 5/16-18 IN HNYLK GR2 ZN
3	67538	67538 NUT 1/4-20 IN HNYLK GR2 ZN
4	22632	22632 ADAPTER 9800 SERIES UNIVERSAL
5	22664	22664 COVER UNIVERSAL ADAPTER CLUTCH ACCESS
6	WK6	WK6 KEY WOODRUFF 5/32 X 5/8 IN ZN
7	715	715 SET SCREW 1/4-20X1/4 IN SCPC CL45H BLK OX
8	9825	9825 ROTOR CENTRIFUGAL CLUTCH COMPLETE
9	18106	18106 BOLT M8 X 1.25 X 20 HHFCS GR8.8 ZN
10	503	503 BOLT 5/16-18 X 1-1/2 HH GR5 ZN F-T
11	28046	28046 KIT HANDLEBAR FRAME 9800 SERIES WARNINGS
12	9827	9827 HANDLE W/THROTTLE HOLE & 9211 GRIP 9800B
13	4814	4814 BOLT 10-24X1-1/4 IN PTHMS GR5 ZN F-T
14	9211	9211 HANDLE GRIP 7/8 IN ID FLANGELESS
15	504	504 WASHER 5/16X0.583X0.078 IN SPRLK ZN
16	22907	22907 CABLE THROTTLE 9800K
17	4819	4819 ASSEMBLY TRIGGER LONG THROW
18	22920	22920 KIT THROTTLE CABLE AND TRIGGER 9800K
19	98005	98005 KIT TRANSMISSION 30:1 9800H
20	8935	8935 BOLT 1/4-20X2-1/2 IN SHCS GR5 BLK OX
21	19139	19139 DECAL WARN LG AUGER EN FR 100X45
22	19140	19140 DECAL WARN LG THIS SIDE UP EN FR 164X14

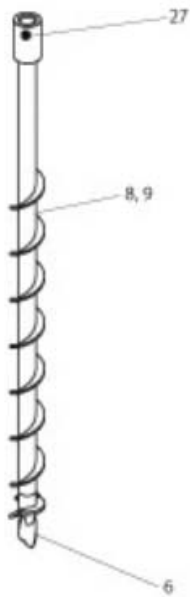
TRANSMISSION ASSEMBLY



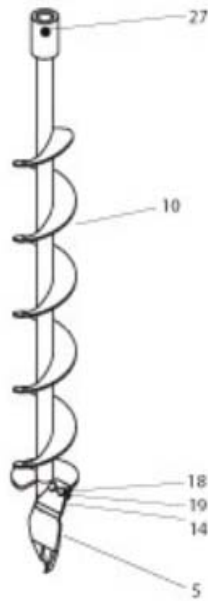
Key No.	Part No.	Description
1	9016	9016 CLUTCH DRUM 3 INCH THREADED
2	3004149	3004149 SHIM 9800 TRANSMISSION TOP
3	8922	8922 BEARING BALL R12 DOUBLE LIP SEALED 3/4
4	75300	75300 KIT TOP CASTING TRANSMISSION 5/8 IN R10
5	8923	8923 BEARING BALL R10 OPEN 5/8 IN ID
6	9814	9814 GEAR PINION 7T 20PA 5/8-18 RH THREADED
7	8924	8924 RING RETAINING EXTERNAL 3/4 INCH
8	8919	8919 GASKET POWERHEAD TRANSMISSION
9	8915	8915 DOWEL PIN STEEL 1/4 IN X 1/2 IN
10	8914	8914 GEAR 48T 14 T/IN 20° PA 3/4 ID HARD
11	9214A	9214A PINION 10T 14 T/IN 20° PA 3/4 OD
12	8912	8912 GEAR 44T 14 T/IN 20° PA 3/4 IN ID
13	75600	75600 KIT LOWER CASTING E43 M43 9800 Z51 Z71 E
14	8929	8929 BOLT 1/4-20 X 1-1/2 SHCS GR8 BLK ZN F-T
15	8913	8913 SHAFT OUTPUT 7/8 IN
16	11468	11468 GREASE EP-2 LITHIUM MOLY 1/2 POUND
18	21922	21922 PARTS BAG HARDWARE 9800 SERIES

AUGER ASSEMBLY

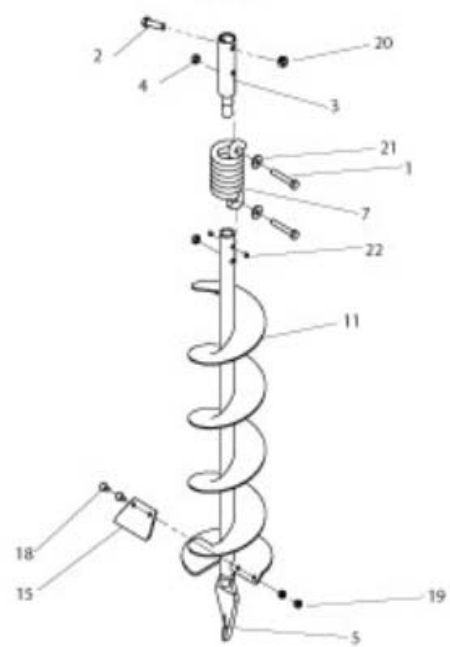
EA2F, EA3F



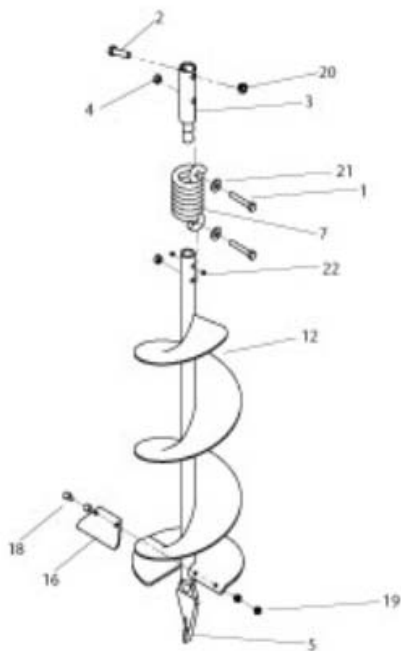
EA4F



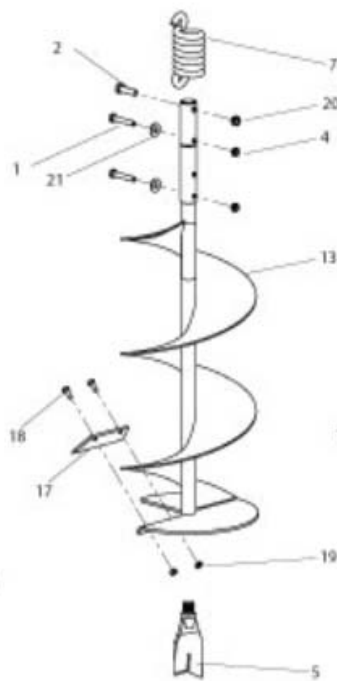
EA6F



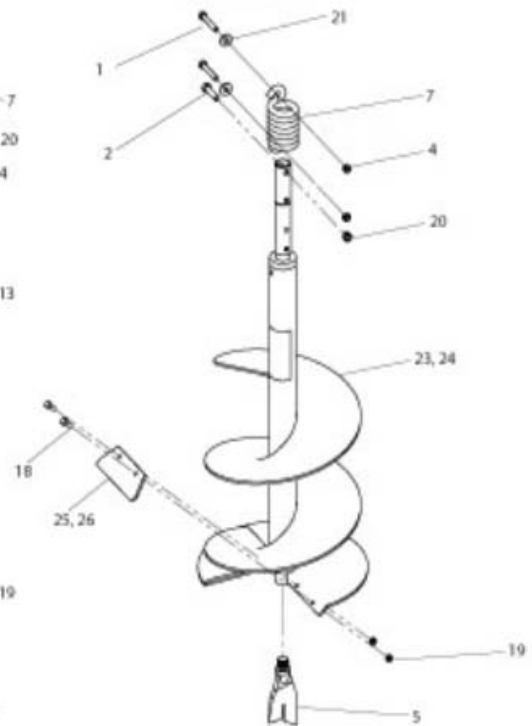
EA8F



EA10F



EA12F, EA14F



Key No.	Part No.	Description
1	1423	1423 BOLT 5/16-18X2 IN HHCS GR5 ZN P-T
2	1433	1433 BOLT 3/8-16X1-1/2 IN HHCS GR5 ZN P-T
3	22142	22142 KIT SHOCK TOP AND SET SCREWS
4	60G56	60G56 NUT 5/16-18 IN HLKBW GR5 ZN
5	8958HD	8958HD FISHTAIL POINT 3/4-10 UNC RED
6	8970	8970 POINT EARTH 2 INCH AND 3 INCH AUGERS
7	8980	8980 SHOCK SPRING EARTH
8	EA2F	EA2F EARTH AUGER 2 INCH REPL FT RH RED
9	EA3F	EA3F EARTH AUGER 3 INCH REPL FT RH RED
10	EA4F	EA4F EARTH AUGER 4 INCH REPL FT RH RED
11	EA6F	EA6F EARTH AUGER 6 INCH REPL FT RH RED
12	EA8F	EA8F EARTH AUGER 8 INCH REPL FT RH RED
13	EA10F	EA10F EARTH AUGER 10 INCH REPL FT RH RED
14	EB4	EB4 EARTH BLADE 4 IN W/HARDWARE
15	EB6	EB6 EARTH BLADE 6 IN W/HARDWARE
16	EB8	EB8 EARTH BLADE 8 IN W/HARDWARE
17	EB10	EB10 EARTH BLADE 10 IN WITH HARDWARE
18	EBOLT	EBOLT BOLT 1/4-28X5/8 IN HH GR5 ZN F-T
19	ENUT	ENUT NUT 1/4-28X7/32 IN HBW GR5 ZN
20	2104	2104 NUT 3/8-16 IN HLKBW GR5 ZN
21	WF516	WF516 WASHER 5/16X7/8X5/64 IN GR8 ZN
22	8955	8955 BOLT 3/8-16 X 1-1/4 SHCS GR8 BLK ZN F-T
23	EXT12	EXT12 EXTENSION DEPTH 12 IN 7/8 CONNECTION
24	EXT18	EXT18 EXTENSION DEPTH 18 IN 7/8 CONNECTION
25	EB6HD	EB6HD EARTH BLADE 6 IN HEAVY DUTY W/HARDWARE
26	EB8HD	EB8HD EARTH BLADE 8 IN HEAVY DUTY W/HARDWARE
27	EB10HD	EB10HD EARTH BLADE 10 IN HEAVY DUTY W/HARDWARE