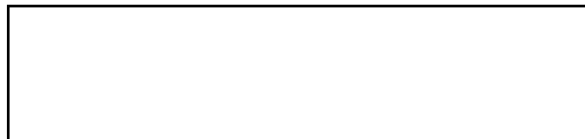


OPERATION AND PARTS MANUAL



MODEL CDM1H HAND-HELD CORE DRILL (ELECTRIC MOTOR)

Revision #8 (9/04/19)



THIS MANUAL MUST ACCOMPANY THE EQUIPMENT AT ALL TIMES.

TABLE OF CONTENTS

CDM1H Core Drill

Proposition 65 Warning	2
Silicosis/Respiratory Warnings	3
Safety Information	6-8
Specifications	9
Dimensions.....	10
General Information.....	11-12
Components	13-14
Set-Up	15-17
Operation.....	18
Maintenance	19
Troubleshooting	20
Wiring Diagram.....	21
Explanation Of Code In Remarks Column.....	22
Suggested Spare Parts	23

Component Drawings

Nameplate And Decals.....	24-25
Core Drill Assembly	26-29
Carrying Case/Tools Adapter	30-31

NOTICE

Specifications are subject to change without notice.

EXPLANATION OF CODE IN REMARKS COLUMN

The following section explains the different symbols and remarks used in the Parts section of this manual. Use the help numbers found on the back page of the manual if there are any questions.

NOTICE

The contents and part numbers listed in the parts section are subject to change **without notice**. Multiquip does not guarantee the availability of the parts listed.

SAMPLE PARTS LIST

NO.	PART NO.	PART NAME	QTY.	REMARKS
1	12345	BOLT	1	INCLUDES ITEMS W/%
2%		WASHER, 1/4 IN.		NOT SOLD SEPARATELY
2%	12347	WASHER, 3/8 IN. ...	1	MQ-45T ONLY
3	12348	HOSE	A/R	MAKE LOCALLY
4	12349	BEARING	1	S/N 2345B AND ABOVE

NO. Column

Unique Symbols — All items with same unique symbol (@, #, +, %, or >) in the number column belong to the same assembly or kit, which is indicated by a note in the “Remarks” column.

Duplicate Item Numbers — Duplicate numbers indicate multiple part numbers, which are in effect for the same general item, such as different size saw blade guards in use or a part that has been updated on newer versions of the same machine.

NOTICE

When ordering a part that has more than one item number listed, check the remarks column for help in determining the proper part to order.

PART NO. Column

Numbers Used — Part numbers can be indicated by a number, a blank entry, or TBD.

TBD (To Be Determined) is generally used to show a part that has not been assigned a formal part number at the time of publication.

A blank entry generally indicates that the item is not sold separately or is not sold by Multiquip. Other entries will be clarified in the “Remarks” Column.

QTY. Column

Numbers Used — Item quantity can be indicated by a number, a blank entry, or A/R.

A/R (As Required) is generally used for hoses or other parts that are sold in bulk and cut to length.

A blank entry generally indicates that the item is not sold separately. Other entries will be clarified in the “Remarks” Column.

REMARKS Column

Some of the most common notes found in the “Remarks” Column are listed below. Other additional notes needed to describe the item can also be shown.

Assembly/Kit — All items on the parts list with the same unique symbol will be included when this item is purchased.

Indicated by:

“INCLUDES ITEMS W/(unique symbol)”

Serial Number Break — Used to list an effective serial number range where a particular part is used.

Indicated by:

“S/N XXXXX AND BELOW”

“S/N XXXX AND ABOVE”

“S/N XXXX TO S/N XXX”

Specific Model Number Use — Indicates that the part is used only with the specific model number or model number variant listed. It can also be used to show a part is NOT used on a specific model or model number variant.

Indicated by:

“XXXXX ONLY”

“NOT USED ON XXXX”

“Make/Obtain Locally” — Indicates that the part can be purchased at any hardware shop or made out of available items. Examples include battery cables, shims, and certain washers and nuts.

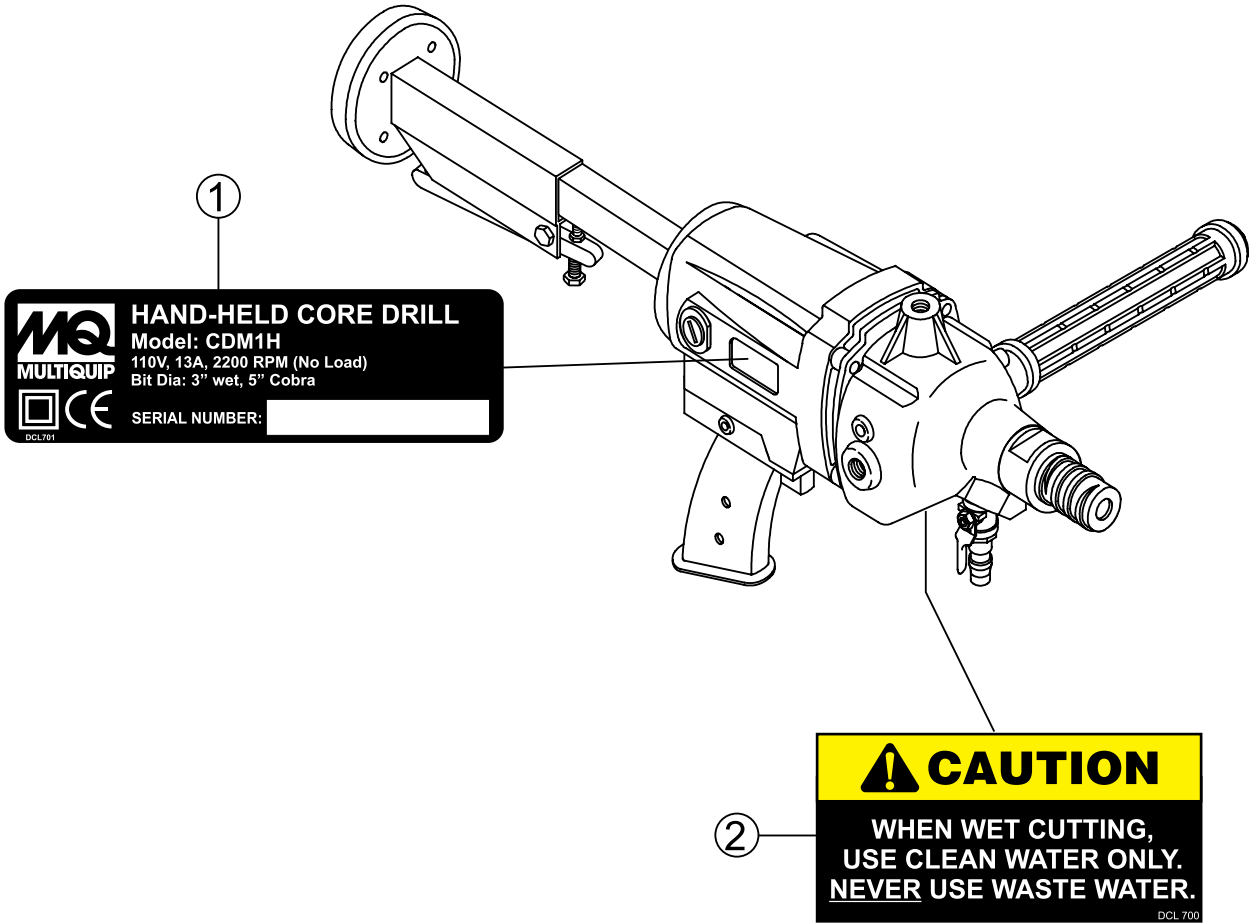
“Not Sold Separately” — Indicates that an item cannot be purchased as a separate item and is either part of an assembly/kit that can be purchased, or is not available for sale through Multiquip.

SUGGESTED SPARE PARTS

CDM1H CORE DRILL 1 TO 5 UNITS

Qty.	P/N	Description
2.....	CD101534	CARBON BRUSH
2.....	CD101560	POWER CORD
2.....	CD101551	POWER SWITCH
2.....	CD101552	CIRCUIT BREAKER
1.....	AD114F58M	ADAPTER, 5/8"-11 MALE THREAD

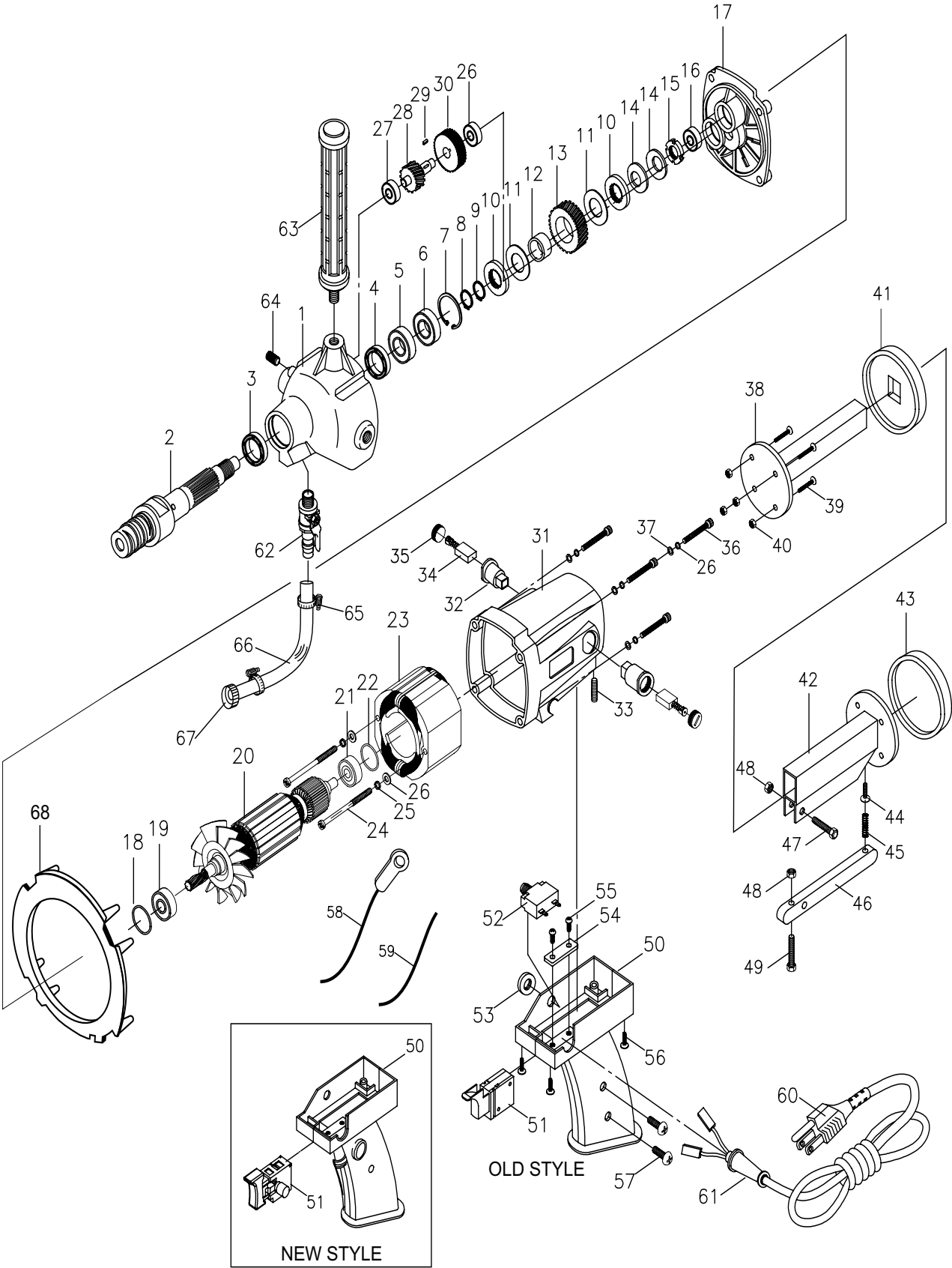
NAMEPLATE AND DECALS ASSY.



NAMEPLATE AND DECALS ASSY.

<u>NO.</u>	<u>PART NO.</u>	<u>PART NAME</u>	<u>QTY.</u>	<u>REMARKS</u>
1	DCL701	DECAL: MODEL INFORMATION	1	
2	DCL700	DECAL: CAUTION CLEAN WATER	1	

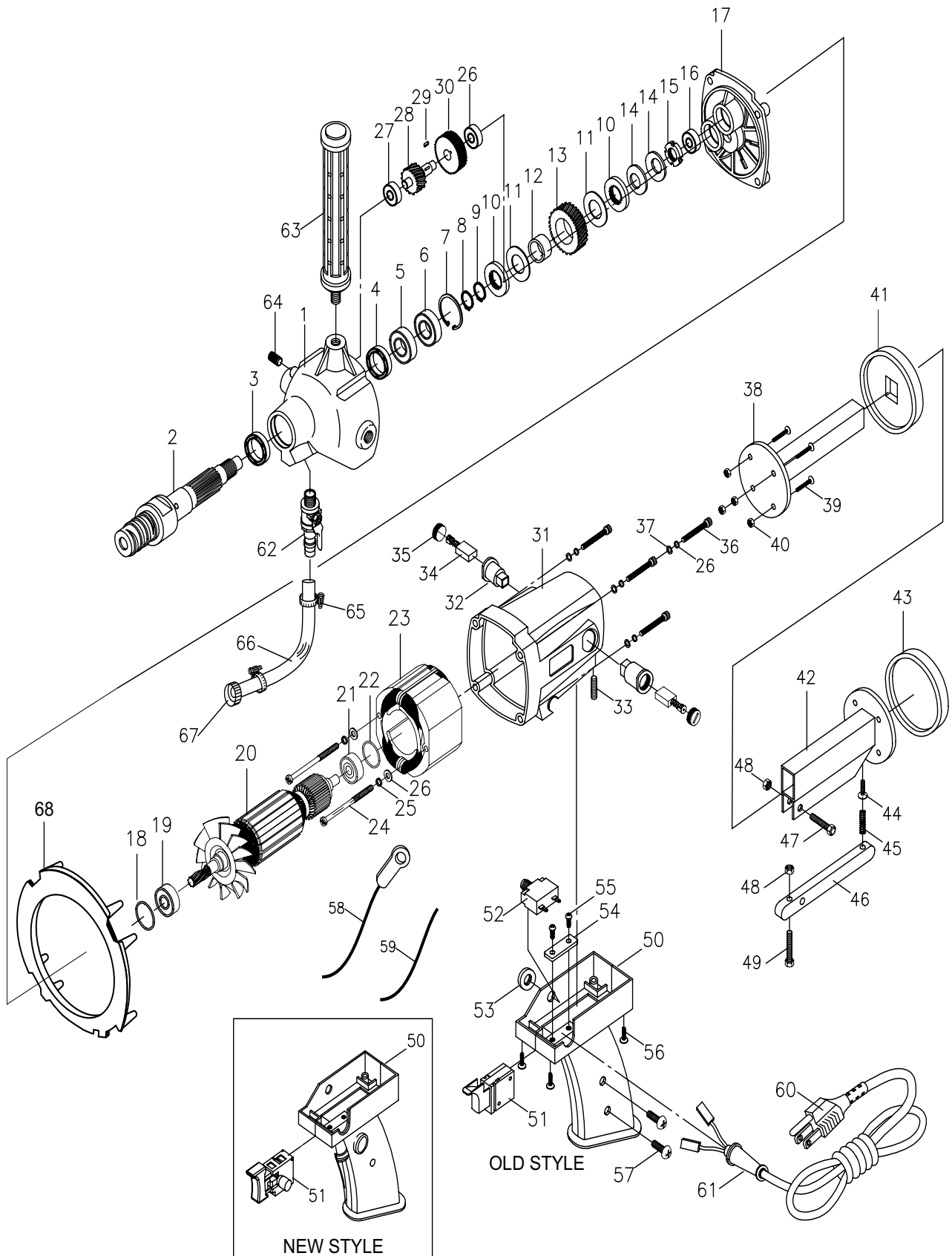
CORE DRILL ASSY.



CORE DRILL ASSY.

<u>NO.</u>	<u>PART NO.</u>	<u>PART NAME</u>	<u>QTY.</u>	<u>REMARKS</u>
1	CD101501	GEAR CASE	1	
2	CD101502	MAIN SHAFT	1	
3	CD101503	SEAL	1	
4	CD101503	SEAL	2	
5	CD101505	BEARING, 6003LLU	1	
6	CD101506	BEARING, 6003ZZ	1	
7	CD101507	SNAP RING, R35	1	
8	CD101508	SNAP RING, S17	1	
9	CD101509	SNAP RING, S9	1	
10	CD101510	PLATE	2	
11	CD101511	FRICTION PLATE	2	
12	CD101512	METAL COLLAR	1	
13	CD101513	FIRST GEAR	1	
14	CD101514	DISK SPRING	2	
15	CD101515	FINE U-NET	1	
16	CD101516	BEARING, 608ZZ	3	
17	CD101517	DIAPHRAGM	1	
18	CD101518	O-RING	1	
19	CD101519	BEARING, 609LLU	1	
20	CD101520	ARMATURE	1	
21	CD101521	BEARING, 608ZZ	1	
22	CD101522	FILLING RING	1	
23	CD101523	FIELD	1	
24	CD101524	SCREW, 3/16 X 2-1/2"	2	
25	CD101525	SPRING WASHER, M5	2	
26	CD101526	NUT, M5	2	
27	CD101527	BEARING	2	
28	CD101528	SECOND PINION	1	
29	CD101529	WOODRUFF KEY	1	
30	CD101530	SECOND GEAR	1	
31	CD101531	MOTOR HOUSE	1	
32	CD101532	BRUSH TUBE	2	
33	CD101533	SCREW, M5	2	
34	CD101534	CARBON BRUSH	2	
35	CD101535	BRUSH CAP	2	
36	CD101536	SCREW, M5	4	
37	CD101537	SPRING WASHER, M5	4	
38	CD101538	TELESCOPING TUBE	1	
39	CD101539	SCREW, 5/32 X 5/8"	4	
40	CD101540	NUT, M5	4	
41	CD101541	HOLDER	1	
42	CD101542	TELESCOPING TUBE	1	
43	CD101543	HOLDER	1	
44	CD101544	SCREW, 1/8"	1	

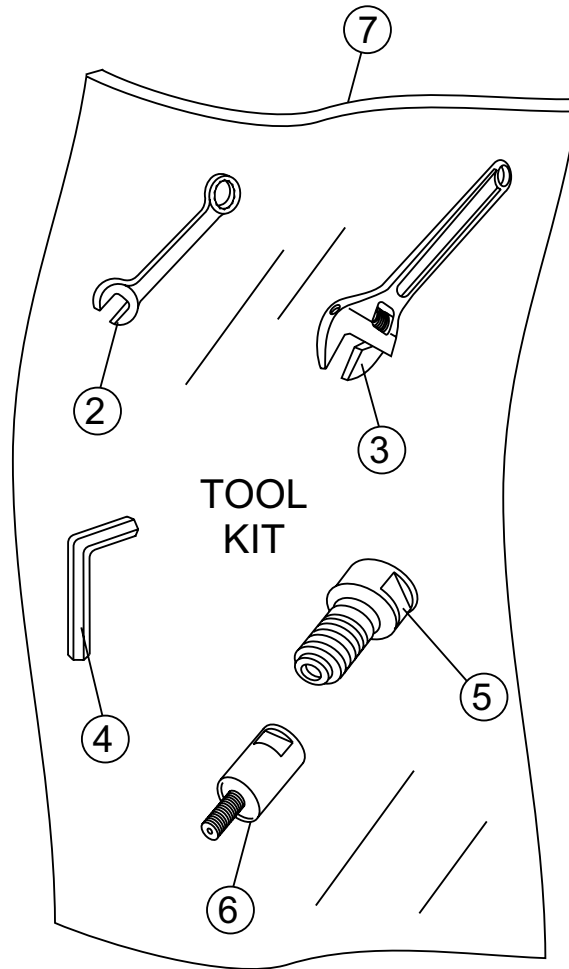
CORE DRILL ASSY. (CONTINUED)



CORE DRILL ASSY. (CONTINUED)

NO.	PART NO.	PART NAME	QTY.	REMARKS
45	CD101545	SPRING	1	
46	CD101546	SHIFTER	1	
47	CD101547	SCREW, M6	1	
48	CD101548	NUT, M6	2	
49	CD101549	SCREW, M6	1	
50	CD101550	SWITCH BOX	1.....	OLD STYLE
50	CD101576	SWITCH BOX W/ LOCK BUTTON HOLE.....	1.....	NEW STYLE
51	CD101551	POWER SWITCH	1.....	OLD STYLE
51	CD101577	POWER SWITCH W/ SPEED LOCK BUTTON .1.....	1.....	NEW STYLE
52	CD101552	CIRCUIT BREAKER	1	
53	CD101553	WASHER	1	
54	CD101554	CABLE FIX PLATE	1	
55	CD101555	SCREW, 5/32 X1/2"	2	
56	CD101556	SCREW, 5/32 X 1-1/2"	4	
57	CD101557	SCREW, M4	2	
58	CD101558	EARTH CABLE	1	
59	CD101559	CABLE WIRE	1	
60	CD101560	POWER CORD	1	
61	CD101561	FEMALE QUICK DISCONNECT	1	
62	CD2704006	WATER COCK	1	
63	CD101563	HANDLE	1	
64	CD101564	PLUG	1	
65	CD101569	HOSE CLAMP	2	
66	CD101570	PLASTIC WATER HOSE, 4-INCH	1	
67	CD101571	FITTING, BRASS BARB 3/4 X 3/8"	1	
68	CD101608	BAFFLE	1	

CARRYING CASE/TOOLS ADAPTER



CARRYING CASE/TOOLS ADAPTER

<u>NO.</u>	<u>PART NO.</u>	<u>PART NAME</u>	<u>QTY.</u>	<u>REMARKS</u>
2#	101566	27 MM WRENCH	1	
3#	101567	ADJUSTABLE WRENCH	1	
4#	101568	5 MM ALLEN WRENCH	1	
5#	ADM181147	ADAPTER, 1-1/4" X 7	1	
6#	ADM1858	ADAPTER, M18 FEMALE to 5/8"-11 MALE	1	
7	CD101575	TOOL KIT.....	1.....	INCLUDES ITEMS W/ #