

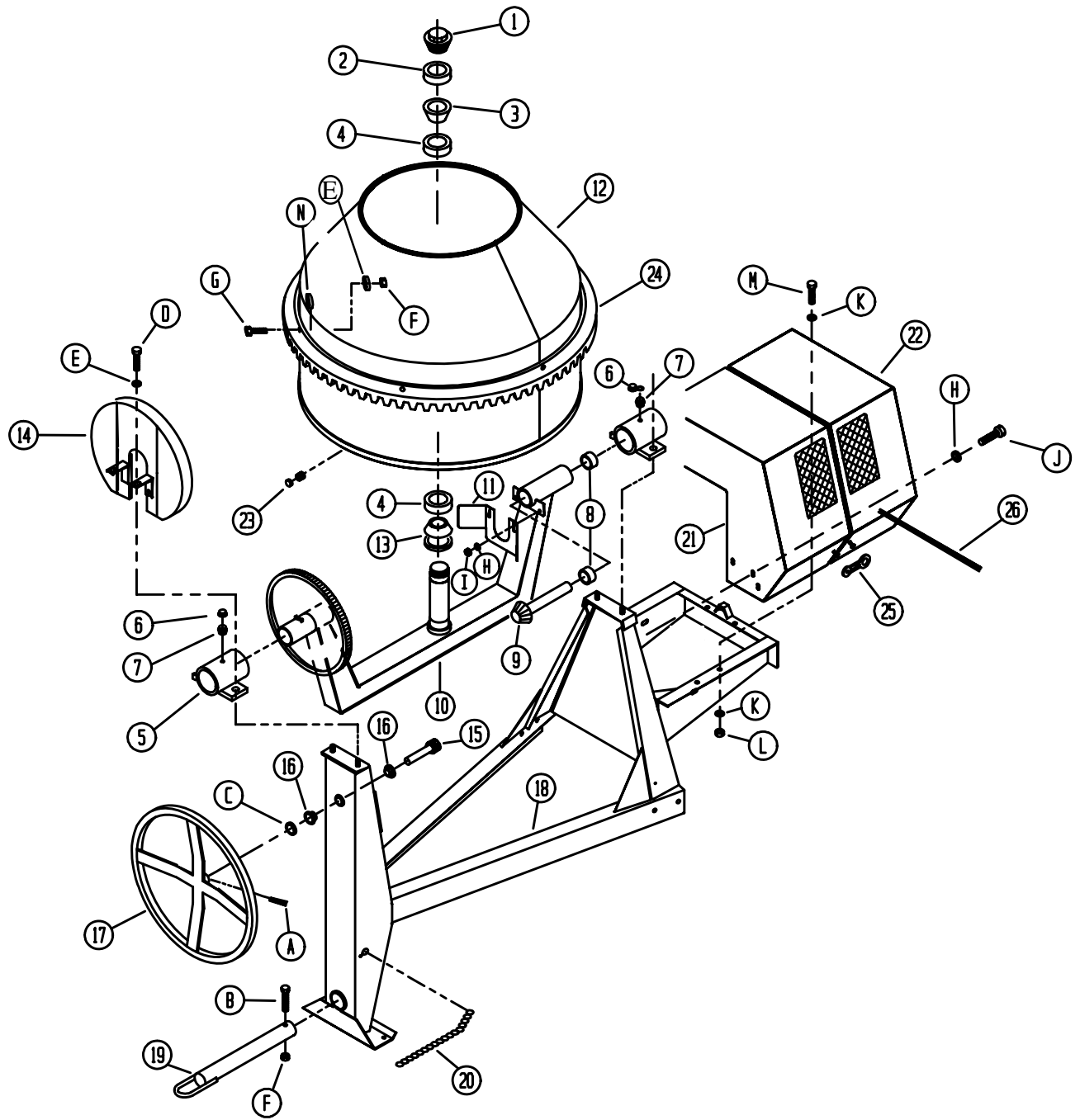


## FRAME AND DRUM ASSEMBLY

Item	Part Number	Quantity	Description
1	32287	1	Pipe Plug
2	32285	1	Lock Nut
3	32282	1	Bearing Cone
4	32284	2	Bearing Race
5	24349-2	2	Trunnion Weld
6	47001	4	Caplug Blue
7	46042	2	Fitting
8	32039	2	Bearing
9	22942	1	Shaft Drive Assy
10	22915-2	1	Yoke Weld
11	27144-2	1	Pinion Guard
12	22916-2	1	Drum Weld & Gear
13	32283	1	Bearing W/Seal
14	27617-2	1	Guard Brake Upper
15**	22029	1	Shaft Tilt
16	32032	2	Bushing Nylon
17	22096-2	1	Handwheel
18	50245-2	1	Weld Frame Lombardini
19	22097-2	1	Tow Pole
20	21655	1	Kit Safety Chain
21	50243-2	1	Weld Cowl Stationary Lombardini
22	58523-2	1	Cowl Moveable
23	46057	2	Fitting B711MH
24*	39078-2	1	Ring Gear
25	47182	3	Latch Rubber
26	44368	1	Pin Hinge
+	22195-2	1	Towpole Ball Hitch (optional tow poles not shown.)
+	22130-2	1	Towpole Pin Hitch (optional tow poles not shown.)

\* Included in Item 12. Can be sold separately.

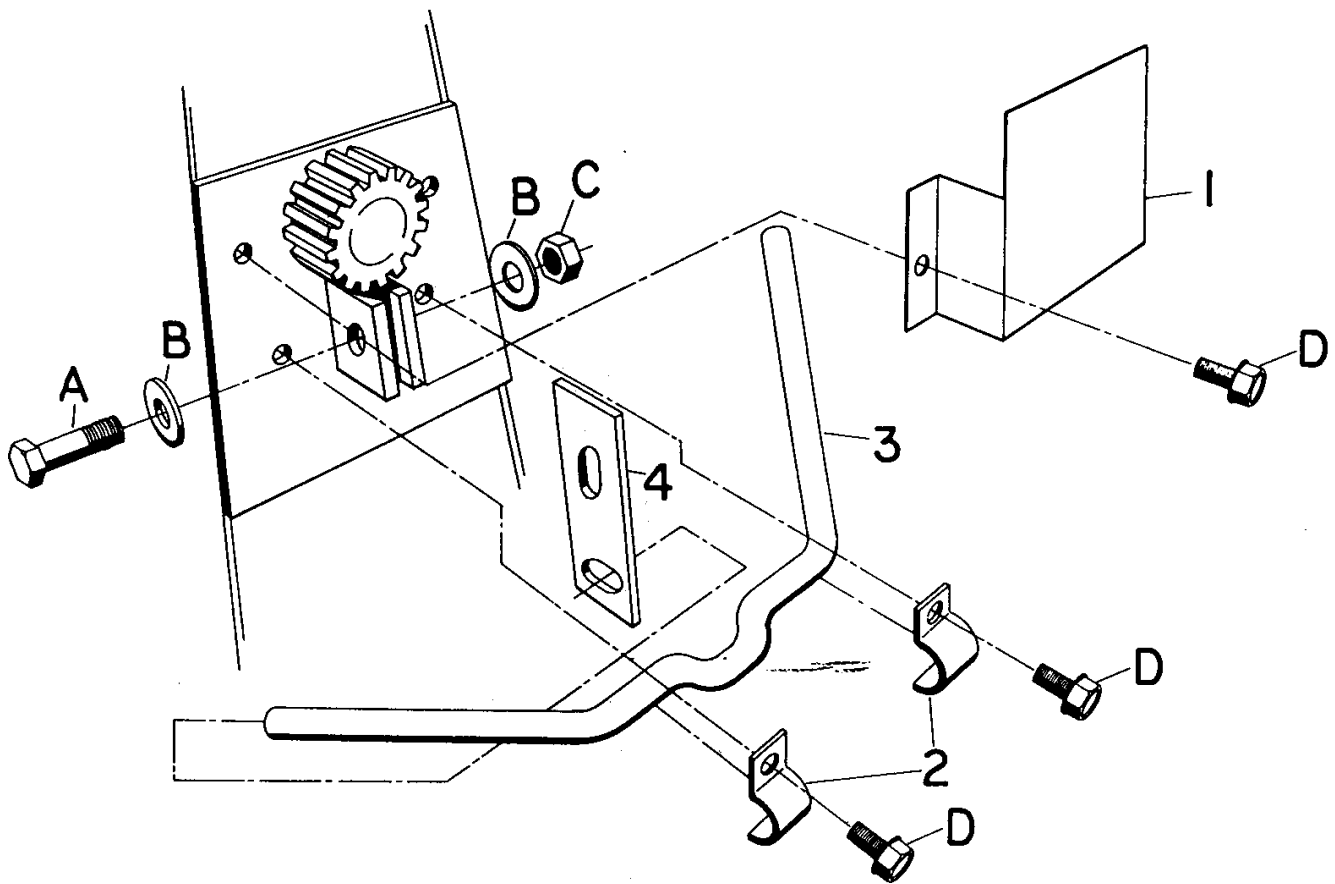
\*\* Lubricated with low viscosity oil at assembly.





## FRAME AND DRUM ASSEMBLY

Item	Part Number	Quantity	Description
A	80077	1	Pin PINSP 5/16 x 2
B	80197	1	Screw HHCS 1/2 - 13 x 4
C	24622	1	Washer WSHR 1-1/32 ID x 1-1/2 OD x 1/8
D	80031	4	Screw HWHST 1/2 - 13 x 1-1/2
E	80118	16	Washer WSHR 1/2 WROT ZN
F	80051	7	Nut NUTNY 1/2 - 13
G	80732	6	Screw HHCS 1/2 - 13 x 2
H	80348	4	Washer WSHR 5/16 WROT
I	80114	2	Nut NUTNY 5/16 - 18
J	80085	2	Screw HWHST 5/16 - 18
K	80043	8	Washer WSHR 3/8 WROT
L	80056	4	Nut NUTNY 3/8 - 16
M	80145	4	Screw HHCS 3/8 - 16 x 1-1/4
N	26326	6	Washer WSHR 9/16 x 1-3/4 x 1/4



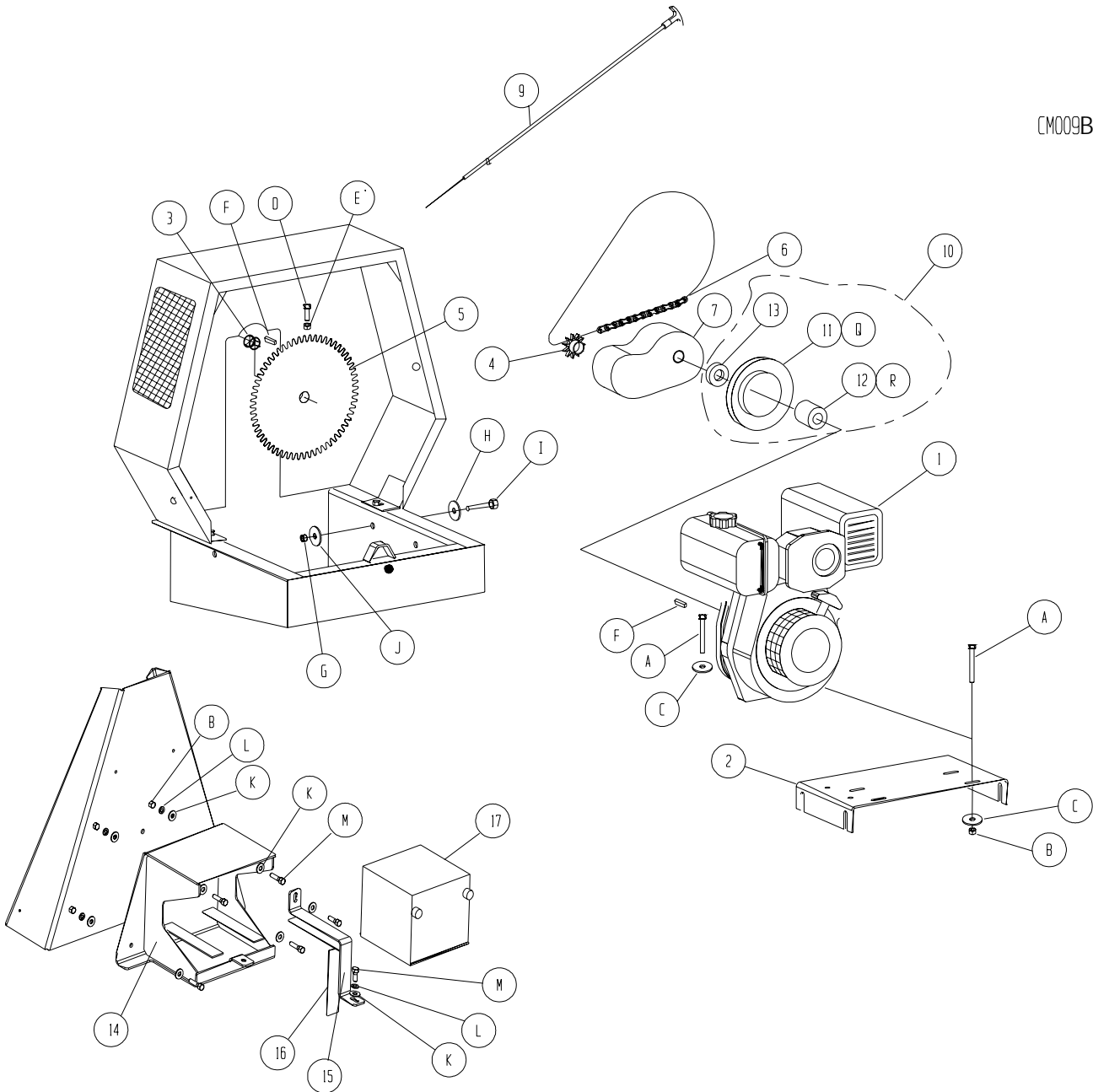


Item	Part Number	Quantity	Description
1	27618-2	1	Guard Brake - Lower
2	27559-2	2	Bracket Clutch Handle
3	27621-2	1	Brake Handle
4	27619-2	1	Dog, Brake
A	80145	1	Screw HHCS 3/8 - 16 x 1-1/4 ZN
B	80342	2	Washer WSHR 3/8 SAE ZN
C	80056	1	Nut NUTNY 3/8 - 16 ZN
D	80085	4	Screw HWHST 5/16 - 18 x 1 ZN

**NOTE:** When servicing tilt mechanism, bolt A should be tightened so approximately 17-18 pounds of force is required to disengage the tilt dog.



CM009B





## 125CM DIESEL DRIVE

Item	Part Number	Quantity	Description
1	30610	1	Engine Lombardini 10 hp Diesel
2	50235-2	1	Weld Base Motor Lombardini
3	32176	1	Collar Locking
4	35284	1	Sprocket 50 B11 x 1
5	34099	1	Sprocket 50 B38 x 1-3/16
6	22040	1	Set Chain 56 Pitches
7	39667	1	Gear Reduction 6:1 (Diesel Only)
9	50249	1	Cable Throttle Lombardini
10	23601	1	Kit Mixer 125CM Adaptor Gear Reduction
11*	50246	1	Plate Adaptor Lombardini NORAM
12*	50247	1	Spacer Lombardini
13*	32514	1	Seal 28mm 47mm 8mm Crw1
14	50238-2	1	Weld Box Battery Lombardini
15	50241-2	1	Strap Battery Lombardi ni
16	47244	4	Rbr 60 1.5 x 6.75
17	38543	1	Battery 12v CCA:525
18^	38114	1	Battery Cable Black
19^	48559	1	Battery Cable Red
20^	36786	1	Clamp Muffler 1-1/4 in
21^	58525	1	Pipe Exhaust

\* Included in item 10

^ Not shown



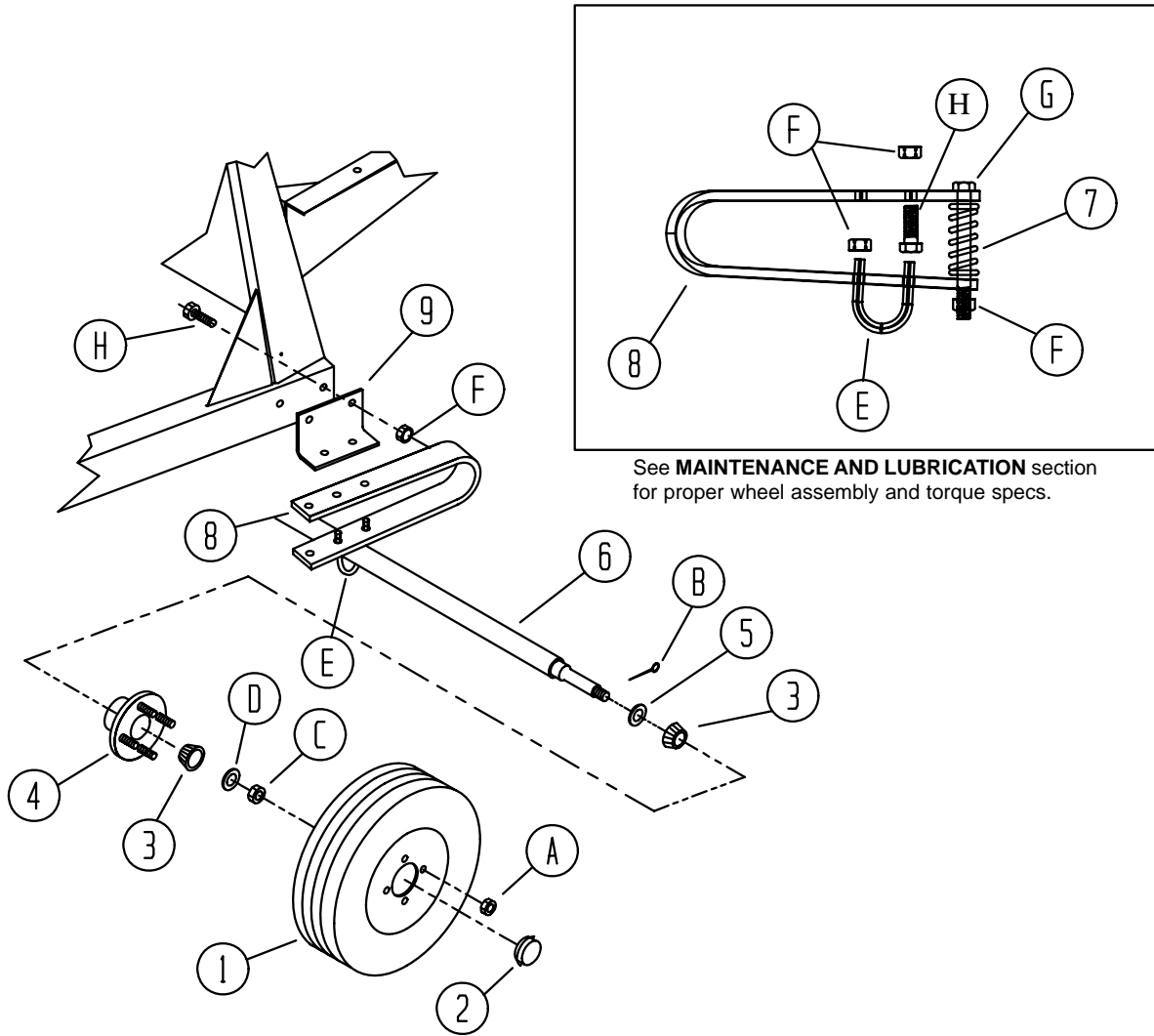


# 125CM DIESEL DRIVE

Item	Part Number	Quantity	Description
A	80178	4	Screw HHCS 3/8 - 16 x 2 GR5 ZN
B	80056	8	Nut NUTNY 3/8 - 16 ZN
C	26325	4	Washer WSHR .375 ID x 1.00 OD x .187 ZN
D	80259	1	Screw SQHSS 5/16 - 18 x 1-1/2 ZN
E	80245	1	Nut NUTFX 5/16 - 18 ZN
F	80100	2	KEY 1/4 x 1/4 x 1
G	80051	4	Nut NUTNY 1/2 - 13 ZN
H	80118	4	Washer WSHR 1/2 WROT ZN
I	80075	4	Screw HHCS 1/2 - 13 x 1-1/2 GR 5 ZN
J	26326	4	Washer WSHR 9/16 x 1-3/4 x 1/4 Pln
K	80043	14	Washer WSHR 3/8 Wrot ZN
L	80058	2	Lock Washer WSHRL 3/8 Med Split ZN
M	80174	6	Screw HHCS 3/8-16 x 1 Gr8 ZN
Q*^	80068	4	Screw FHSCS 3/8-16 x 1 Blk
R*^	81189	1	Screw FHSCS 3/8-24 x 1-1/2 in Gr5 Blk
S^	39355	1	Set Bolt Battery

\* Included in item 10

^ Not shown



See **MAINTENANCE AND LUBRICATION** section for proper wheel assembly and torque specs.



## SPRING AXLE ASSEMBLY

Item	Part Number	Quantity	Description
1	32307	2	Tire and Rim 6.50 x 13
2	34573	2	Dust Cap
3	32051	4	Bearing Cone
4	34501	2	Hub
5	32052	2	Seal, Wheel Hub
6	21460-2	1	Axle 56" Spring
7	26972	2	Coil Spring
8	26971-2	2	Spring
9	26949-2	2	Bracket Spring
-	22069	1	Axle Assy (Includes items 2, 3, 4, 5, & 6)
A	80045	8	LGNUT 1/2 - 20 ZN
B	80315	2	PINCT 3/16 x 2 ZN
C	80054	2	NTSFX 3/4 - 16 ZN
D	80344	2	WSHR 3/4 SAE ZN
E	26195	2	U-BOLT
F	80051	14	NUTNY 1/2 - 13 ZN
G	80052	2	HHCS 1/2 - 13 x 6-1/2
H	80075	8	HHCS 1/2 - 13 x 1-1/2



1

NOTICE	
LIFT POINT	TIE DOWN
55731	
AVISO	
Punto de izamiento	Sólo atar

2

**SAFETY CHAIN**  
 "PATENT #4180281"  
 CROSS CHAIN UNDER TOW POLE WITH 4" - 5" VERTICAL SLACK  
 LATCH CHAIN AT DESIRED LENGTH

55121

3

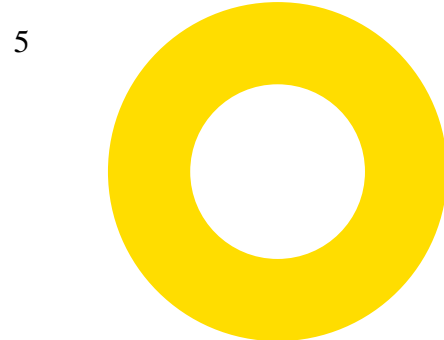
**THROTTLE**

PULL TO RUN  
 PUSH TO STOP

55145

4

55231



6

CAUTION	
When equipment is not in use turn the fuel valve to the OFF position.	
PRECAUCIÓN	
Cuando el equipo no esté en uso gire la válvula de combustible a la posición OFF (apagado)	
55570	

8

IDLE ENGINE 5 MINUTES BEFORE STOPPING TO IMPROVE SERVICE LIFE
DEJE FUNCIONAR EL MOTOR EN VACIO DURANTE 5 MINUTOS ANTES DE DETENERLO PARA EXTENDER SU VIDA DE SERVICIO.
55546



## DECAL IDENTIFICATION

Item	Part Number	Quantity	Description
1	55731	4	Decal Notice Lift/Tie Down
2	55121	1	Decal Safety Chain Blue
3	55145	1	Decal Throttle
4	55231	1	Decal Keyswitch
5	20090	1	Decal E-Stop
6	55570	1	Decal Turn Off
7	55546	1	Decal Instruction Engine Idle



2

 	<p><b>⚠ WARNING</b></p> <p>Moving parts can crush and cut. Do not operate with guards open or removed. Shut off engine to clean or service. If equipped with electric motor, disconnect plug before cleaning or servicing.</p>
	<p><b>⚠ ADVERTENCIA</b></p> <p>Las partes en movimiento pueden aplastar y cortar. No haga funcionar el equipo con las guardas abiertas o si se han retirado. Apague el motor para limpiar o dar mantenimiento. Si el equipo tiene un motor eléctrico, desconecte el enchufe antes de dar mantenimiento.</p>

55010

4

 	<p><b>⚠ DANGER</b></p> <p>Fuel and fumes can explode and burn. Stop engine and extinguish all flames and smoking materials before refueling. Use a safety can.</p>
	<p><b>⚠ PELIGRO</b></p> <p>El combustible y los gases pueden explotar y arder. Pare el motor y apague todas las llamas y los materiales para fumar antes de reabastecer el combustible. Utilice un recipiente de seguridad.</p>

55128

3

 	<p><b>⚠ WARNING</b></p> <p>Moving parts can crush and cut. Do not operate with guards open or removed. Shut off engine to clean or service. If equipped with electric motor, disconnect plug before cleaning or servicing.</p>
	<p><b>⚠ ADVERTENCIA</b></p> <p>Las partes en movimiento pueden aplastar y cortar. No haga funcionar el equipo con las guardas abiertas o si se han retirado. Apague el motor para limpiar o dar mantenimiento. Si el equipo tiene un motor eléctrico, desconecte el enchufe antes de dar mantenimiento.</p>

55011

6

<p><b>NOTICE</b></p> <p>If safety or hazard decals or operator's manual are missing from this equipment, contact the manufacturer immediately at 1-800-888-9926 or (585) 229-5141</p>
<p><b>AVISO</b></p> <p>Si las etiquetas de seguridad o peligro o el manual del operador faltan en este equipo, contactar inmediatamente al fabricante al 1-800-888-9926 o al (585) 229-5141.</p>

55541

5

	<p><b>⚠ WARNING</b></p> <p>Read and understand operator's manual before using this machine. Failure to follow operating instructions could result in personal injury or damage to equipment.</p>
	<p><b>⚠ ADVERTENCIA</b></p> <p>Lea y entienda el manual del operador antes de utilizar esta máquina. El no seguir las instrucciones de operación puede ocasionar lesiones personales o daños al equipo.</p>

55564

7

<p><b>IMPORTANT</b></p> <p><b>SAFETY INSTRUCTIONS</b></p> <p>Read and understand the operator's manual and all safety labels before operating this machine. Only a trained person is to be permitted to operate this equipment. Training should include operation instruction under normal conditions and emergency situations. Personnel working on or near this equipment shall be instructed as to the location and operation of pertinent stopping devices. Under no circumstances are the safety characteristics of this equipment to be altered. Routine inspections and corrective/preventative maintenance measures are to be conducted to ensure that all guards and safety features are retained and function properly.</p>
<p><b>IMPORTANTE</b></p> <p><b>INSTRUCCIONES DE SEGURIDAD</b></p> <p>Lea y entienda el manual del operador y todas las etiquetas de seguridad antes de operar esta máquina. Sólo se permite operar este equipo a las personas capacitadas. La capacitación debe incluir las instrucciones de operación bajo condiciones normales y situaciones de emergencia. El Personal que trabaja con o cerca de este equipo deberá ser instruido acerca de la ubicación y operación de los dispositivos de paro pertinentes. Bajo ninguna circunstancia se podrán alterar las características de seguridad de este equipo. Se deberán llevar a cabo inspecciones de rutina y medidas de mantenimiento correctivo / preventivo para asegurar que todas las guardas y características de seguridad sean retenidas y funcionen adecuadamente.</p>

55565



## DECAL IDENTIFICATION

Item	Part Number	Quantity	Description
1^	55388	1	Kit Mixer Safety Decals Includes Items 2 - 7
2	55010	1	Decal Warning Moving Parts External
3	55011	1	Decal Warning Moving Parts Internal
4	55128	1	Decal Danger Fuel Flammable
5	55541	1	Decal Notice Missing Decals
6	55564	1	Decal Warning Read Manual
7	55565	1	Decal Safety Instructions

^ Not Shown



# WIRING SCHEMATIC

