

FIGURE 1 BD-1272 TRACK RAIL SAW P/N 164920

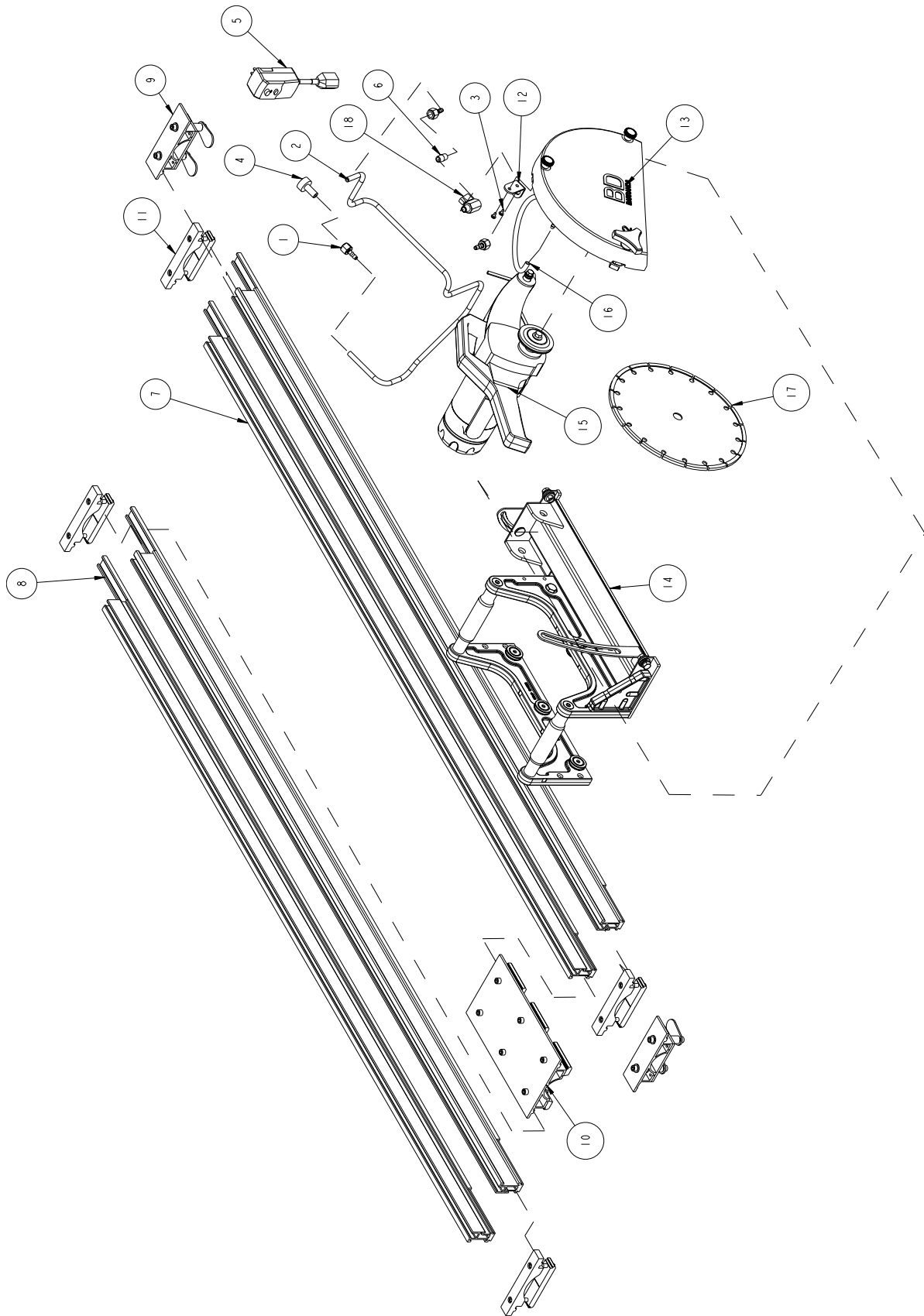


FIGURE 1 BD-1272 TRACK RAIL SAW P/N 164920

ITEM	DESCRIPTION	PART #.	QTY.
1	FITTING, PLASTIC, 1/4 FNPT X 1/4 BARB	128397	3
2	HOSE, VINYL, 3/8 X 1/4 X 6 FT	132951	1
3	SCREW, PAN HD SELF TP10-24 X 3/8	151262	2
4	FITTING, HOSE, 1/4 MNPT	152525	1
5	GFCI, 120V, 15A	152610	1
6	NIPPLE, 1/4 NPT X CLOSE, BRASS	159905	1
7	RAIL, TRACK SAW	164926	4
8	FOOT, RAIL	164944	4
9	CLAMP, RAIL SAW MATERIAL	165113	2
10	ASSY, RAIL CONNECTOR PLATE	165268	1
11	ASSY, PARALLEL RAIL SUPPORT BRACKET	165269	4
12	BRACKET, WATER VALVE	165478	1
13	ASSY, BLADE GUARD	165499	1
14	ASSY, MAIN CARRIER	165500	1
15	ASSY, CUTTING HEAD	165501	1
16	HOSE, 3/8 X 1/4 X 10"	165506	1
17	BLADE, 12"	165921	1
18	VALVE, BALL, 1/4"M TO 1/4"F	231248	1

FIGURE 2 BD-1272 TRACK RAIL SAW P/N 165500

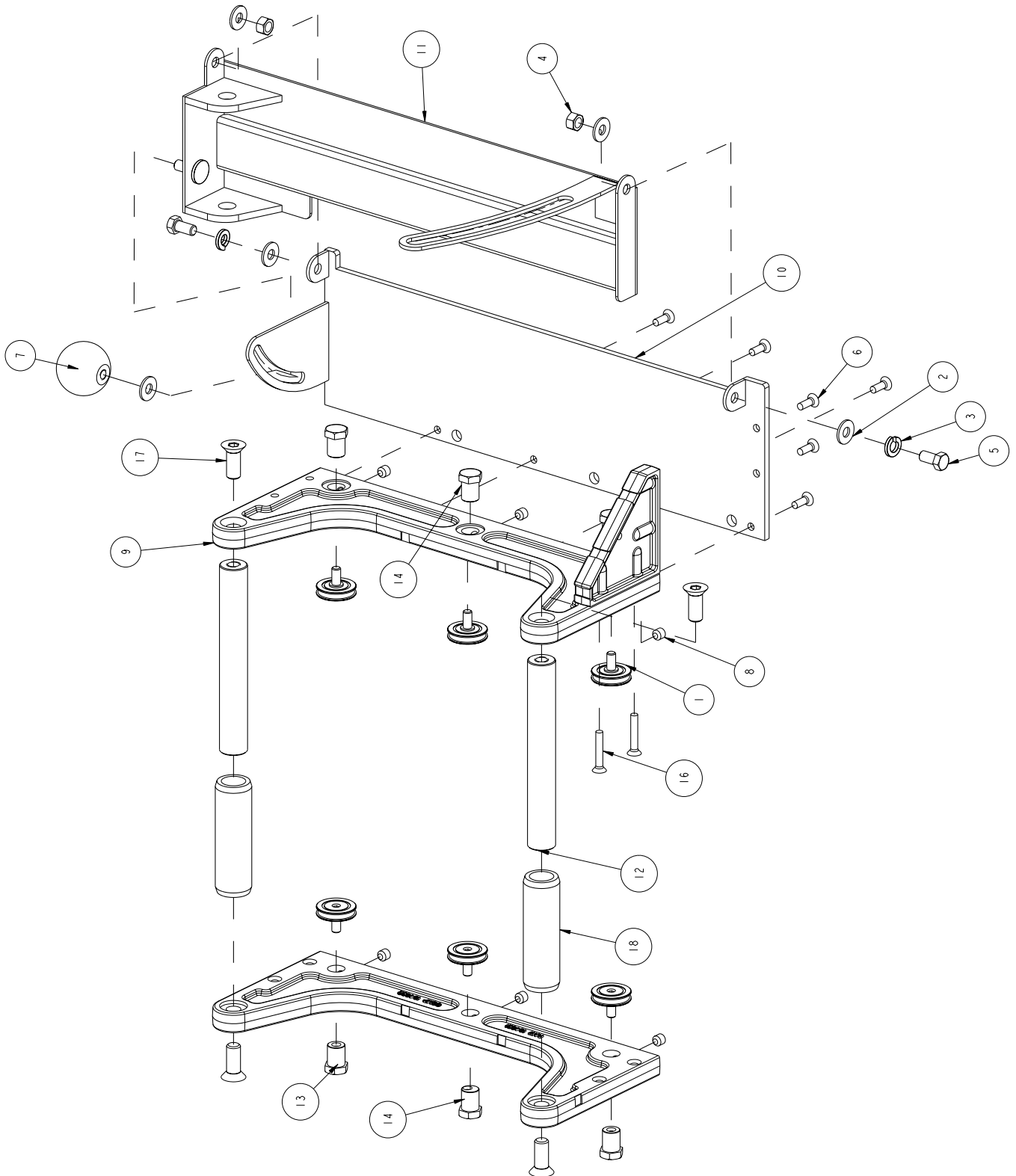
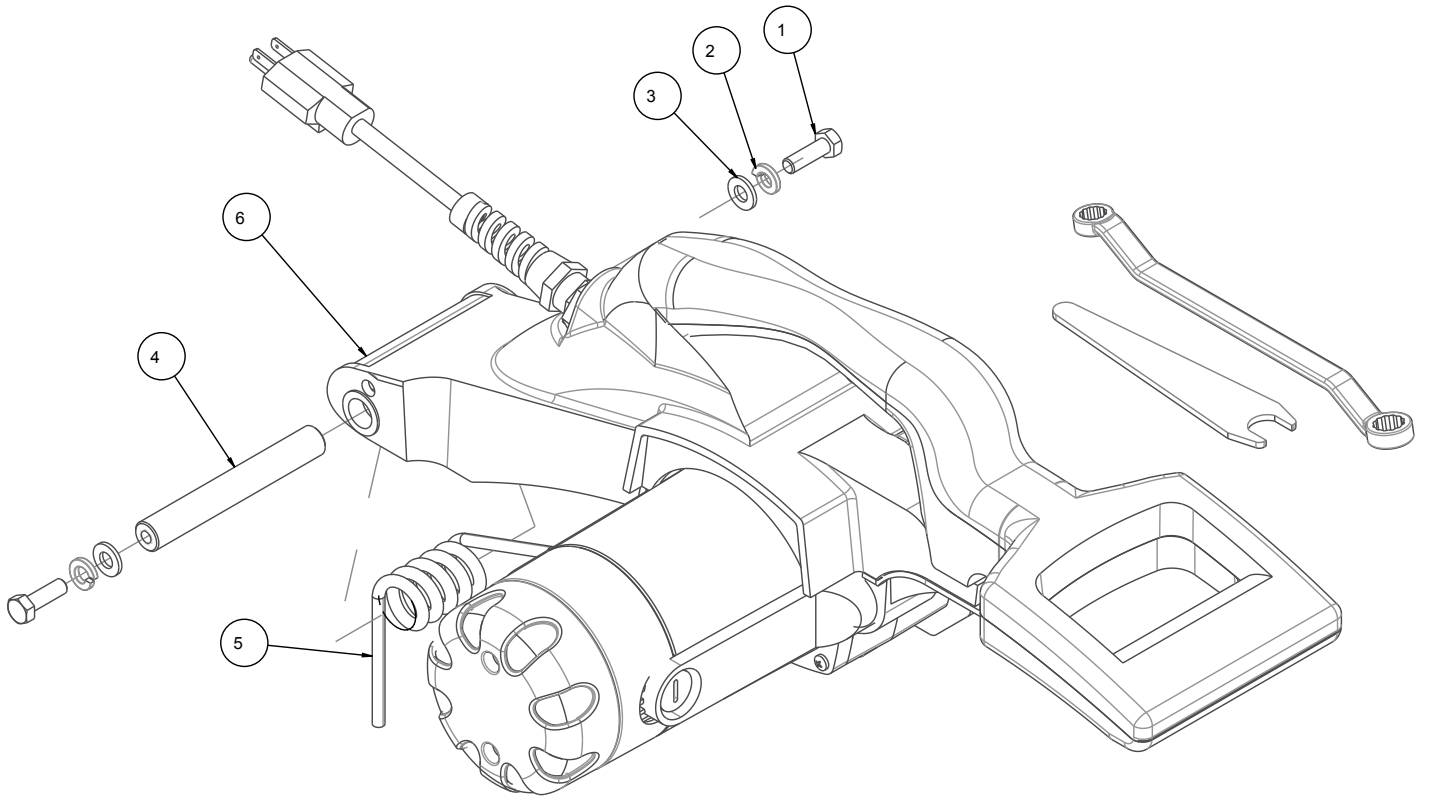


FIGURE 2 BD-1272 TRACK RAIL SAW P/N 165500

ITEM	DESCRIPTION	PART #	QTY.
1	WHEEL, CONVEYOR CART	133090	6
2	WASHER, 3/8 SAE FLAT	150923	5
3	WASHER, 3/8 SPLIT LOCK	150925	2
4	NUT, 3/8-16 HEX CENTERLOCK	153522	2
5	SCREW, 3/8-16 X 3/4 HEX HEAD CAP	153527	2
6	SCREW, 1/4-20 X 3/4 FLAT HEAD PHILLIPS MACHINE	154657	6
7	KNOB, BALL, 2", 3/8-16 INSERT	158519	1
8	SCREW, 3/8-16 X 3/8 SOCKET HEAD SET, CUP POINT	160713	6
9	CARRIER, CART WHEEL (COMP)	164922	2
10	BASE, INNER PIVOT	164923	1
11	BASE, TRACK RAIL SAW PIVOT	164925	1
12	SUPPORT, TRACK RAIL CROSS	164931	2
13	AXLE, CONVEYOR WHEEL	164932	4
14	AXLE, ADJ CONVEYOR WHEEL	164933	2
15	GUSSET (COMP)	165000	1
16	SCREW, 1/4-20 X 3/4 FLAT HEAD PHILLIPS MACHINE	165120	2
17	SCREW, 1/2-13 X 1-1/4 FLAT HEAD	165164	4
18	GRIP, HANDLE	229413	2

FIGURE 3 BD-1272 TRACK RAIL SAW P/N 165501



**FIGURE 3 BD-1272 TRACK RAIL SAW P/N 165501**

---

ITEM	DESCRIPTION	PART#	QTY.
1	SCREW, HEX HD, 5/16-18X1	151743	2
2	WASHER, 5/16 SPLIT LOCK	151747	2
3	WASHER, 5/16 SAE FLAT	151754	2
4	PIN, PIVOT	164934	1
5	SPRING, 70' TORSION	165272	1
6	ASSY, MOTOR & ARM	166906	1

FIGURE 4 BD-1272 TRACK RAIL SAW P/N 166906-NL

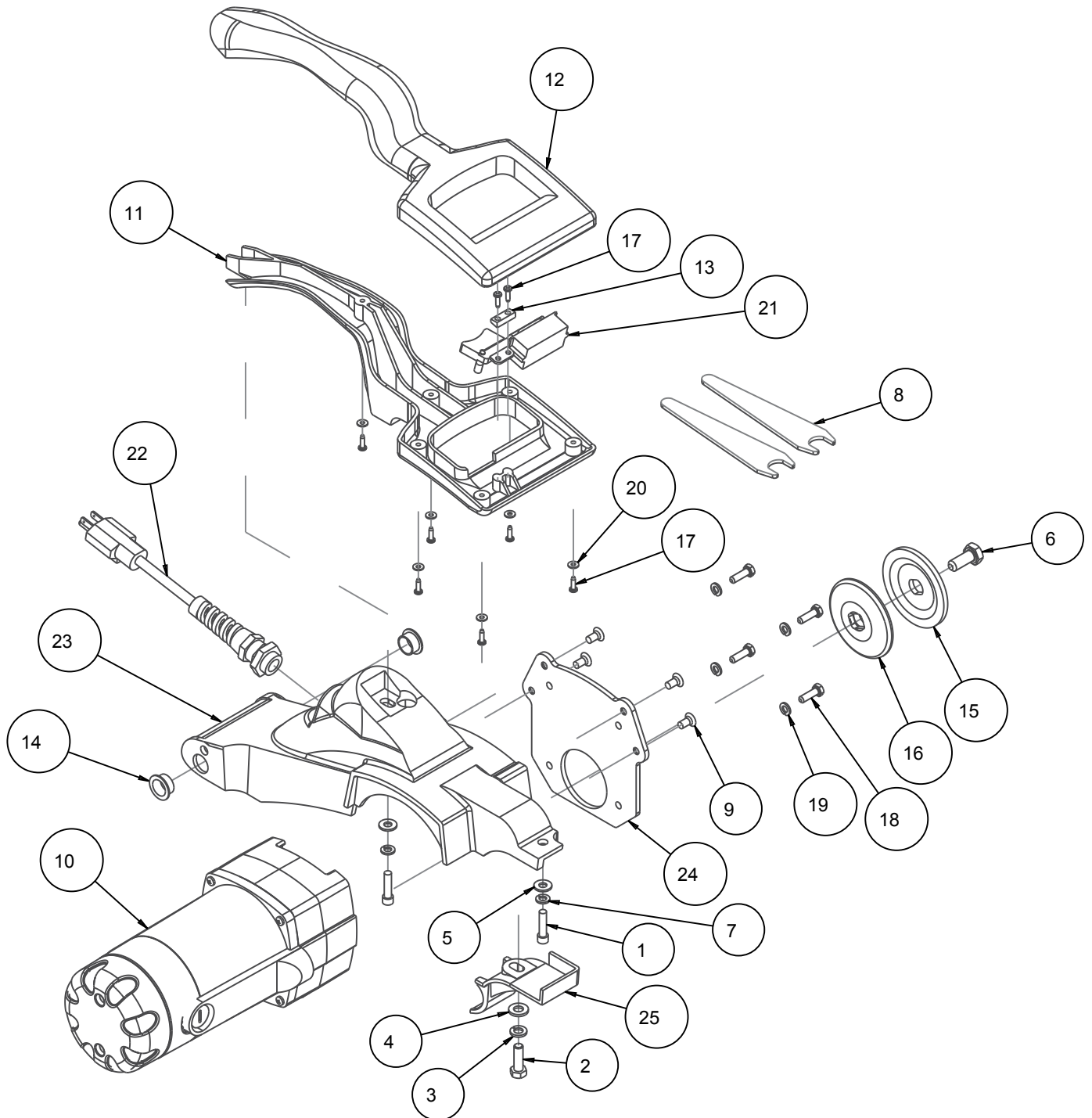
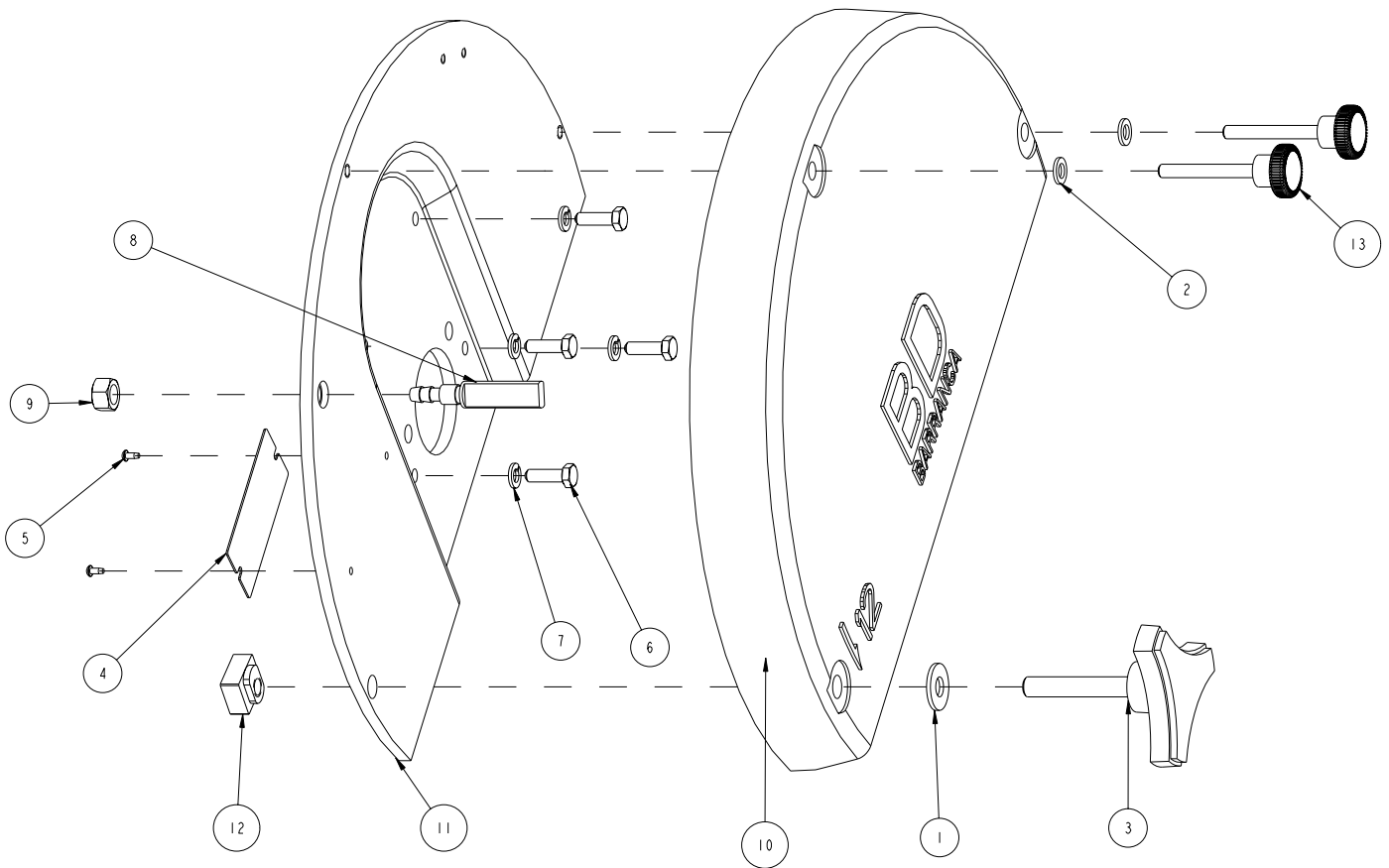


FIGURE 4 BD-1272 TRACK RAIL SAW P/N 166906-NL

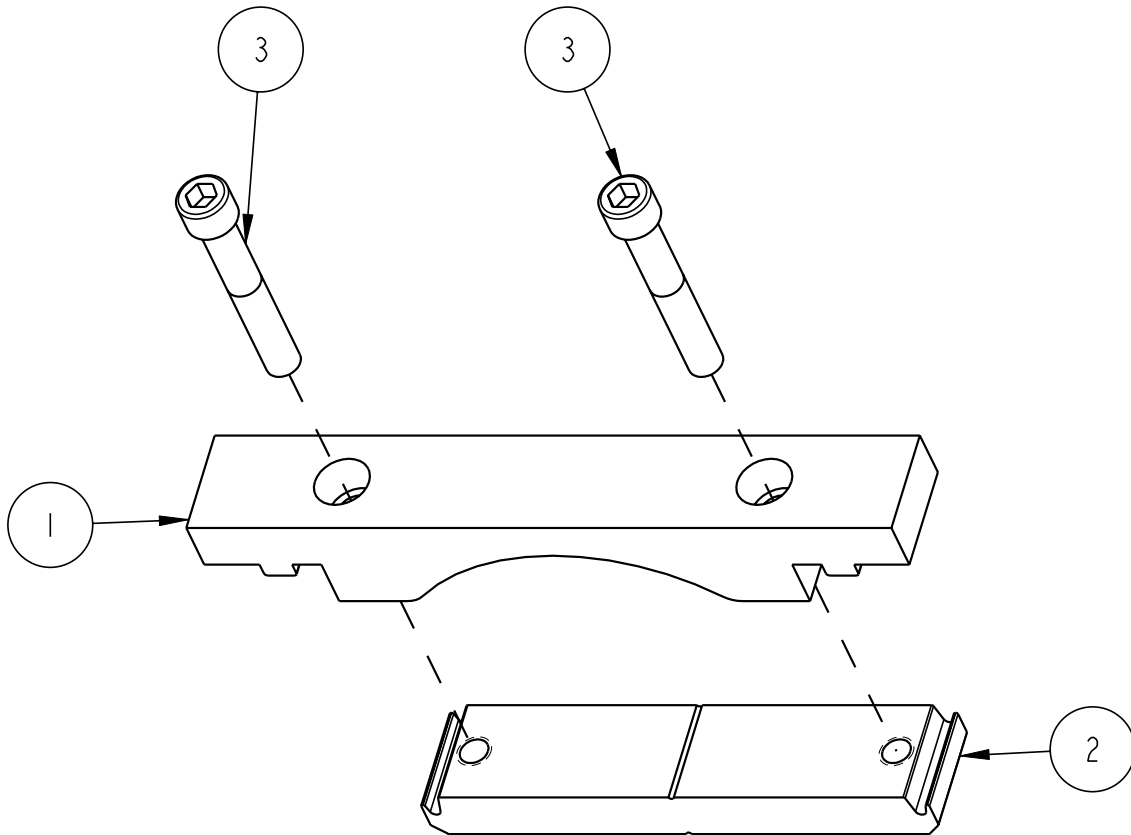
ITEM	DESCRIPTION	PART#	QTY.
1	SCREW, SOC HD CAP, 1/4-20X1	151049	2
2	SCREW, HEX HD, 5/16-18X1	151743	1
3	WASHER, LOCK, SPLIT, 5/16	151747	1
4	WASHER, FLAT, SAE, 5/16	151754	1
5	WASHER, FLAT, SAE, 1/4	151915	2
6	SCREW, M10X1.5 HEX HD CAP	152272	1
7	WASHER, LOCK, SPLIT, 1/4	152591	2
8	WRENCH, TILES AW, 11/16 OPEN END	153450	2
9	SCREW, FLAT HEAD, 1/4-20 X 1/2 PHIL	155812	4
10	MTR, 115V, 15A, AC, NO LOGO	157801-C-NL	1
11	HANDLE, LOWER	157874	1
12	HANDLE, UPPER	157875	1
13	PLATE, SWITCH MOUNTING	157876	1
14	BUSHING, FLANGE	157932	2
15	FLANGE, OUTER	158105	1
16	FLANGE, Ø 3.0 INNER	158106	1
17	SCREW, PAN HD, M3.5X12MM	158156	8
18	SCREW, HEX HEAD CAP, M6X1X20MM	158158	4
19	WASHER, LOCK, SPLIT, M6	158159	4
20	WASHER, FLAT, SAE, #6	158231	6
21	ASSY, SWITCH	158323-MK	1
22	HARNESS, WIRE	158329-R	1
23	CASTING, ARM, -COMP	166098	1
24	PLATE, MOTOR MOUNTING	166099	1
25	COVER, WIRE (COMP)	166101	1

FIGURE 5 BLADE GUARD ASSEMBLY P/N 165499



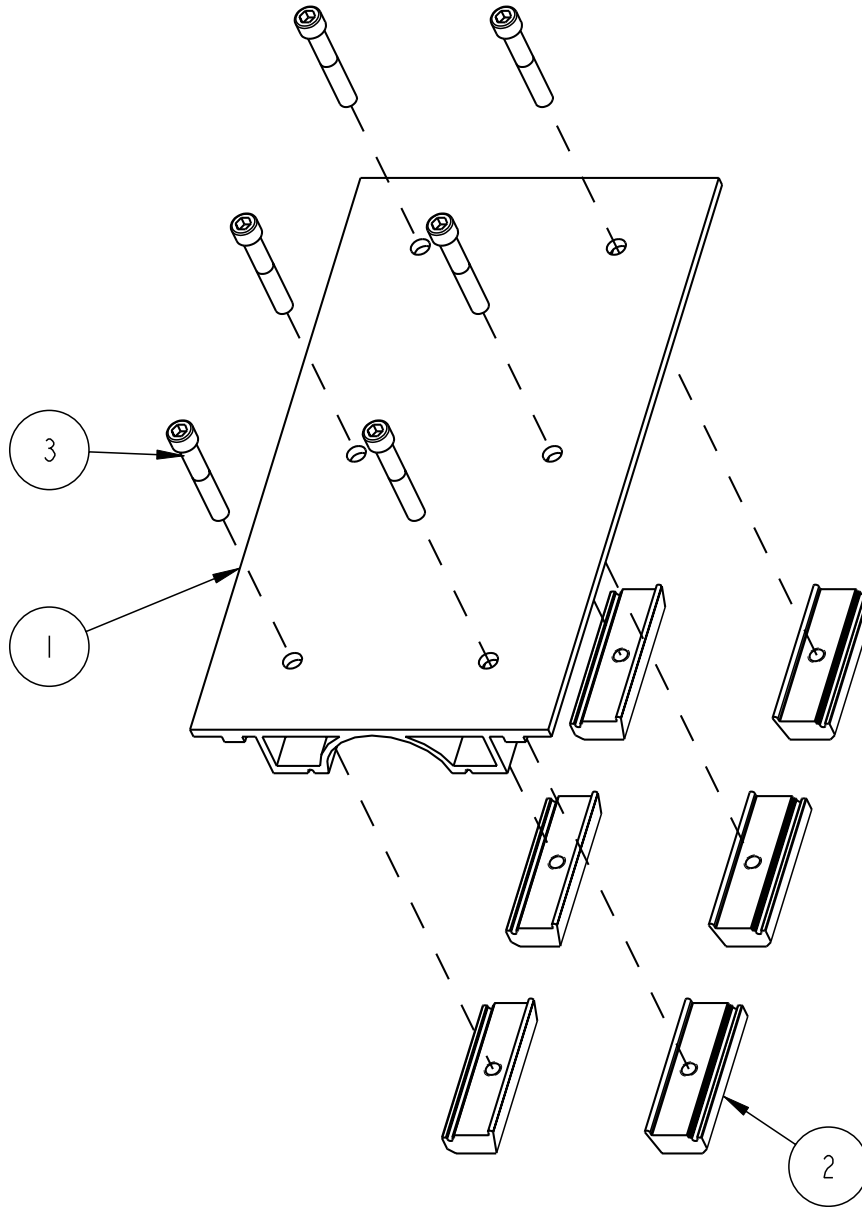
ITEM	DESCRIPTION	PART #	QTY.
1	WASHER, 3/8 SAE FLAT	150923	1
2	WASHER, 1/4 SAE FLAT	151915	2
3	KNOB, TRI PLASTIC, 3/8-16X2-1/4, NO LOGO	56770-04-NL	1
4	TAG, SERIAL #, BLANK	157500	1
5	DRIVE SCREW, #7 X 5/16 ROUND HEAD	157849	2
6	SCREW, HEX HEAD CAP, M6 X 1 X 20MM	158158	4
7	WASHER, SPLIT LOCK, M6	158159	4
8	MANIFOLD, WATER	159854	1
9	NUT, 3/8-16 HEX	159863	1
10	GUARD, BLADE (COMP)	164928	1
11	GUARD, INNER BLADE (COMP)	164930	1
12	NUT, ROUNDED T-SLOT	164945	1
13	KNOB, 1/4-20X2 ROUND	165163	2

FIGURE 6 PARALLEL RAIL SUPPORT BRACKET P/N 165269



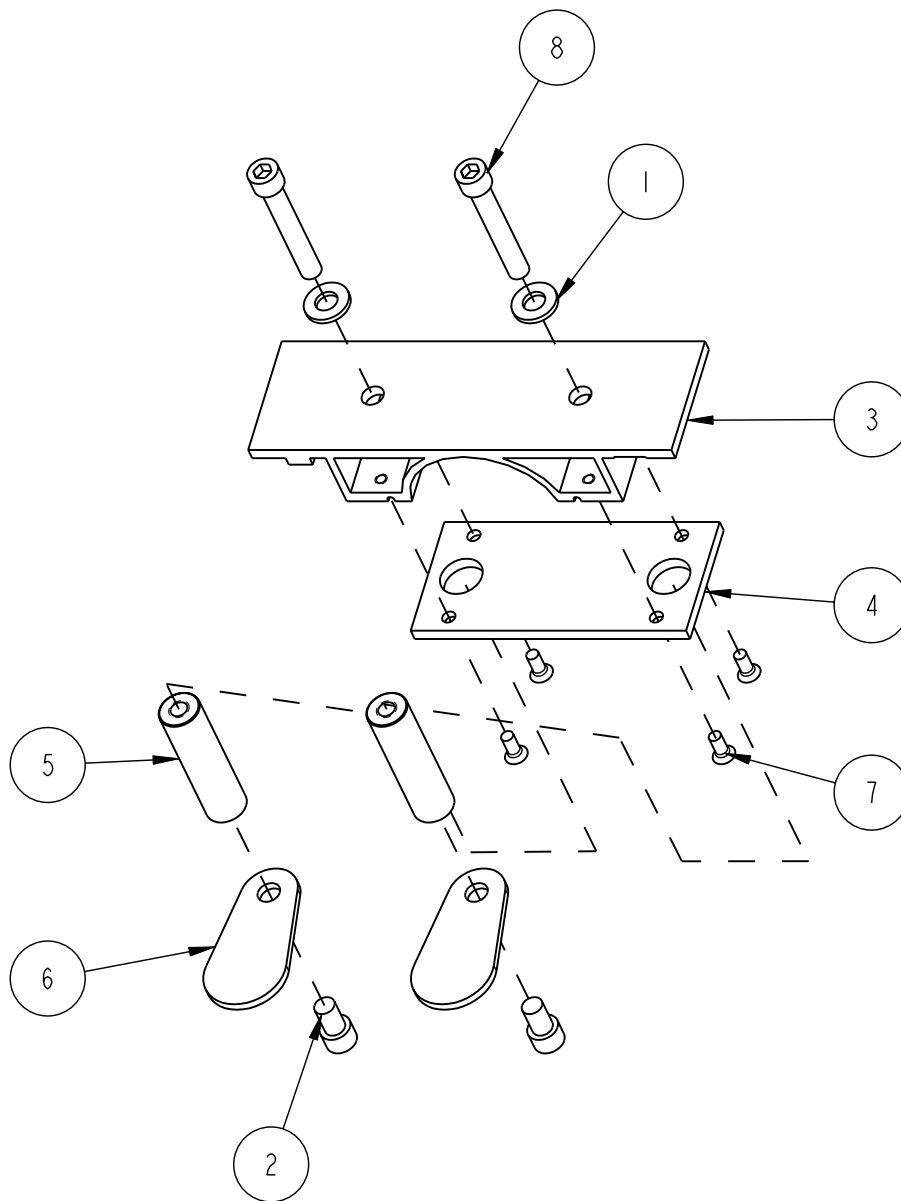
ITEM	DESCRIPTION	PART #	QTY.
1	CLAMP, UPPER RAIL	164939	1
2	CLAMP, LOWER RAIL (COMP)	164942	1
3	SCREW, 5/16-18X2 SOCKET HEAD CAP	165165	2

FIGURE 7 RAIL CONNECTOR PLATE P/N 165268



ITEM	DESCRIPTION	PART #	QTY.
1	PLATE, RAIL CONNECTOR	164936	1
2	SHOE, CONNECTOR (COMP)	164938	6
3	SCREW, 5/16-18X2 SOCKET HEAD CAP	165165	6

FIGURE 8 RAIL SAW MATERIAL CLAMP P/N 165113



ITEM	DESCRIPTION	PART #	QTY.
1	WASHER, 5/16 SAE FLAT	151754	2
2	SCREW, 5/16-18X1/2 SOCKET HEAD CAP	156139	2
3	BASE, MATERIAL CLAMP	165114	1
4	PLATE, MATERIAL CLAMP SUPPORT	165115	1
5	STAND-OFF, THREADED	165116	2
6	FOOT, MATERIAL CLAMP	165117	2
7	SCREW, 10-24 X 3/4 FLAT HEAD PHILLIPS MACHINE	165121	4
8	SCREW, 5/16-18 X 2 SOCKET CAP	165243	2