

# **PARTS MANUAL**



## **MODEL MQP56 60HZ GENERATOR (ISUZU 4JJ1X DIESEL ENGINE)**

Revision #0 (06/07/17)

**THIS MANUAL MUST ACCOMPANY THE EQUIPMENT AT ALL TIMES.**

## SUGGESTED SPARE PARTS

### MQP56 60HZ GENERATOR WITH ISUZU 4JJ1X DIESEL ENGINE

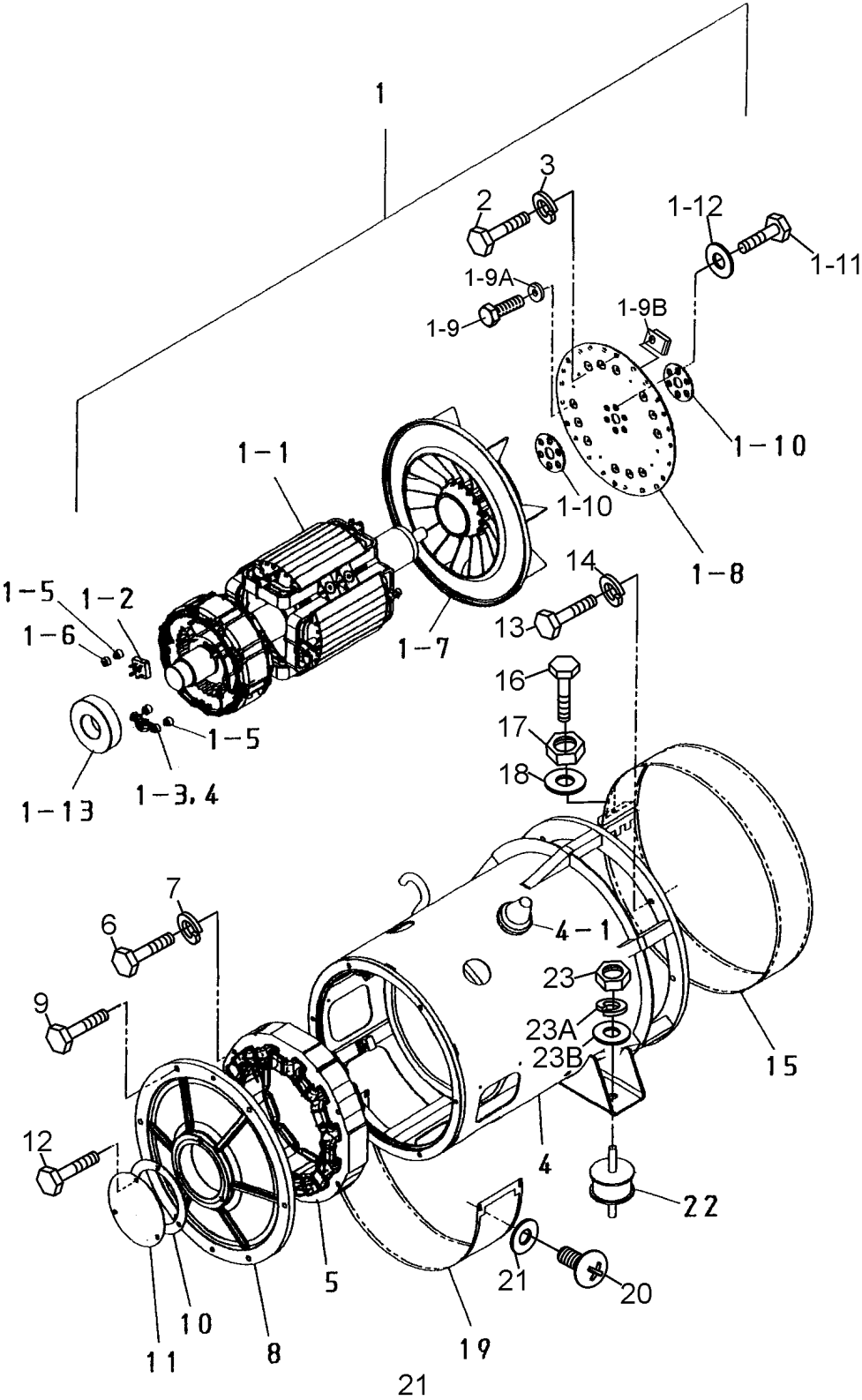
1 to 3 units

<u>QTY.</u>	<u>P/N</u>	<u>DESCRIPTION</u>
5.....	8980188580.....	CARTRIDGE , OIL FILTER
5.....	8980088400.....	FILTER, FUEL, ELEMENT, MAIN
5.....	8980758540.....	FILTER, FUEL, ELEMENT, PRE
5.....	8980714010.....	FILTER, FUEL, FEED PUMP
3.....	0602046365.....	ELEMENT, AIR
1.....	8973629260.....	BELT, FAN
1.....	2310502003.....	RADIATOR HOSE, UPPER
1.....	2310502103.....	RADIATOR HOSE, LOWER
1.....	8121468300.....	SENSOR, WATER TEMP. (ENGINE SIDE)
1.....	8971256001.....	SWITCH, WARNING, OVERHEAT (ENGINE SIDE)
1.....	8980274560.....	SENSOR, OIL PRESSURE (ENGINE SIDE)
1.....	1096300850.....	GASKET, SENSOR OIL PRESSURE (ENGINE SIDE)
1.....	0601808803.....	CIRCUIT BREAKER, 1P, 20 AMP
1.....	0601808804.....	CIRCUIT BREAKER, 2P, 50 AMP
1.....	0601806644.....	FUSE, 30 AMP
1.....	0601806640.....	FUSE, 65 AMP
3.....	0601806671.....	FUSE, 15 AMP
1.....	0601820602.....	AUTOMATIC VOLTAGE REGULATOR

#### NOTICE

Part number on this Suggested Spare Parts list may supersede/replace the P/N shown in the text pages of this book.

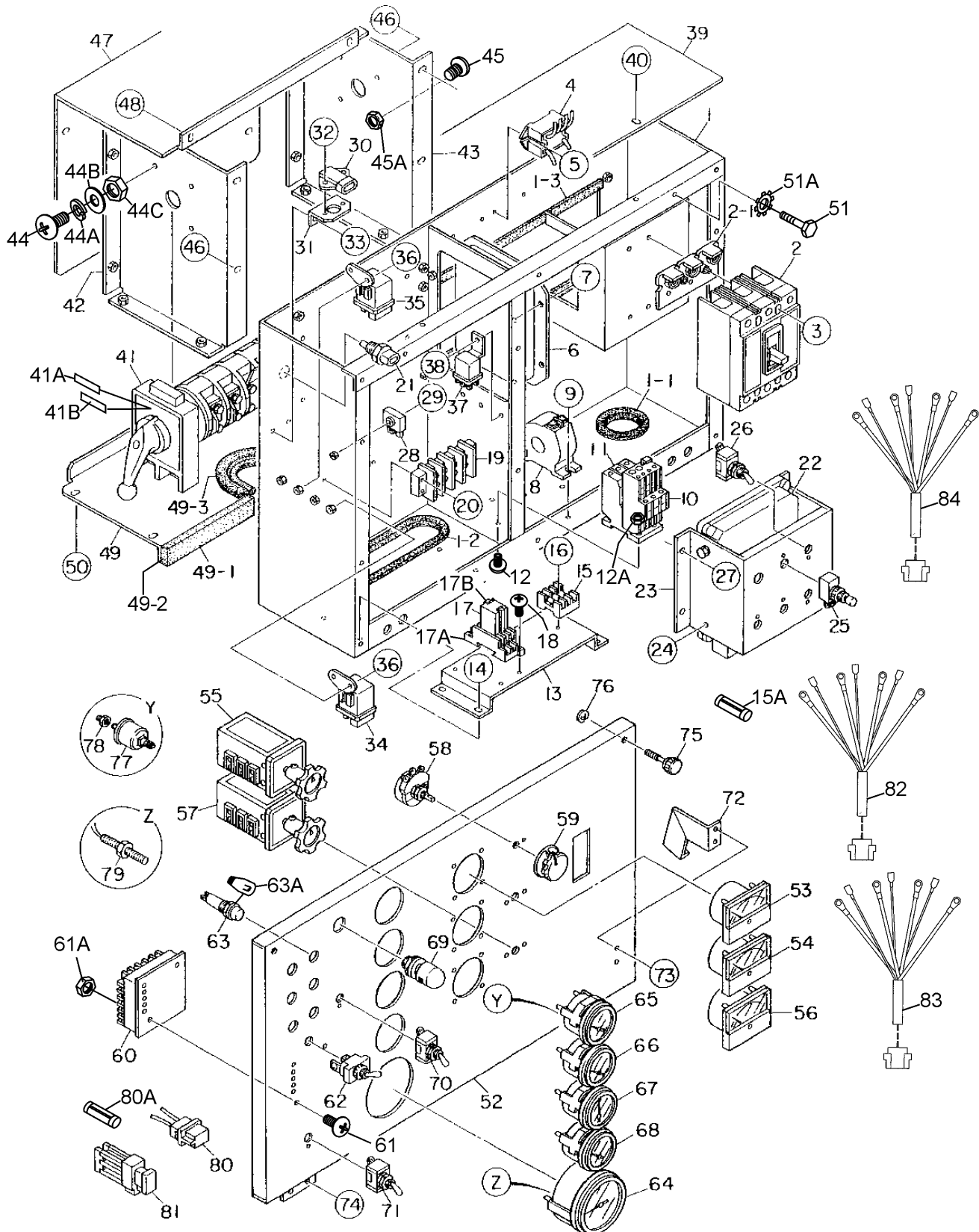
# GENERATOR ASSY.



# GENERATOR ASSY.

<u>NO.</u>	<u>PART NO.</u>	<u>PART NAME</u>	<u>QTY.</u>	<u>REMARKS</u>
1	B5110000402	ROTOR ASSY.....	1	INCLUDES ITEMS W/#
1-1#		FIELD ASSY.	1	
1-2#	0601820083	RECTIFIER	3	
1-3#	0601822664	ZNR	1	
1-4#	B3120100804	HOLDER, ZNR	1	
1-5#	B3120100604	INSULATOR WASHER	3	
1-6#	B3120100604	INSULATOR WASHER	5	
1-7#	B3111100603	FAN	1	
1-8#	B2163100004	COUPLING DISK.....	3	PURCHASE ITEMS 1-1 THRU 1-9B AS A SET
1-9#	0010304016	HEX HEAD BOLT	1	
1-9A#	B2163700004	BALANCING WEIGHT	1	
1-9B#	0204004000	U-NUT	1	
1-10#	B3163200104	COUPLING WASHER	2	
1-11#	0342612030	HEX HEAD CAP SCREW	6	
1-12#	0046512000	WASHER, FLAT	6	
1-13#	0071906309	BEARING	1	
2	0010310020	HEX HEAD BOLT	8	
3	0042510000	WASHER, LOCK	8	
4	B5130000303	STATOR ASSY.	1	
4-1	0845041904	GROMMET	2	
5	B3137000803	FIELD ASSY EXCITER	1	
6	0016008060	HEX HEAD CAP SCREW	4	
7	0042508000	WASHER, LOCK	4	
8	B3153000513	END BRACKET	1	
9	0017108035	HEX HEAD BOLT	6	
10	B3153400504	PACKING	1	
11	B3153400404	COVER, BEARING	1	
12	0017106016	HEX HEAD BOLT	3	
13	0010310025	HEX HEAD BOLT	12	
14	0042510000	WASHER, LOCK	12	
15	B5131300004	COVER, END BRACKET	1	
16	0340406040	HEX HEAD BOLT	1	
17	0600815000	NUT	1	
18	0041206000	WASHER, FLAT	1	
19	B3131300804	COVER, END BRACKET	1	
20	0029205012	MACHINE SCREW	4	
21	0041205000	WASHER, FLAT	4	
22	0605000413	RUBBER SUSPENSION	2	
23	0030012000	HEX NUT	2	
23A	0040012000	WASHER, LOCK	2	
23B	0041212000	WASHER, FLAT	2	

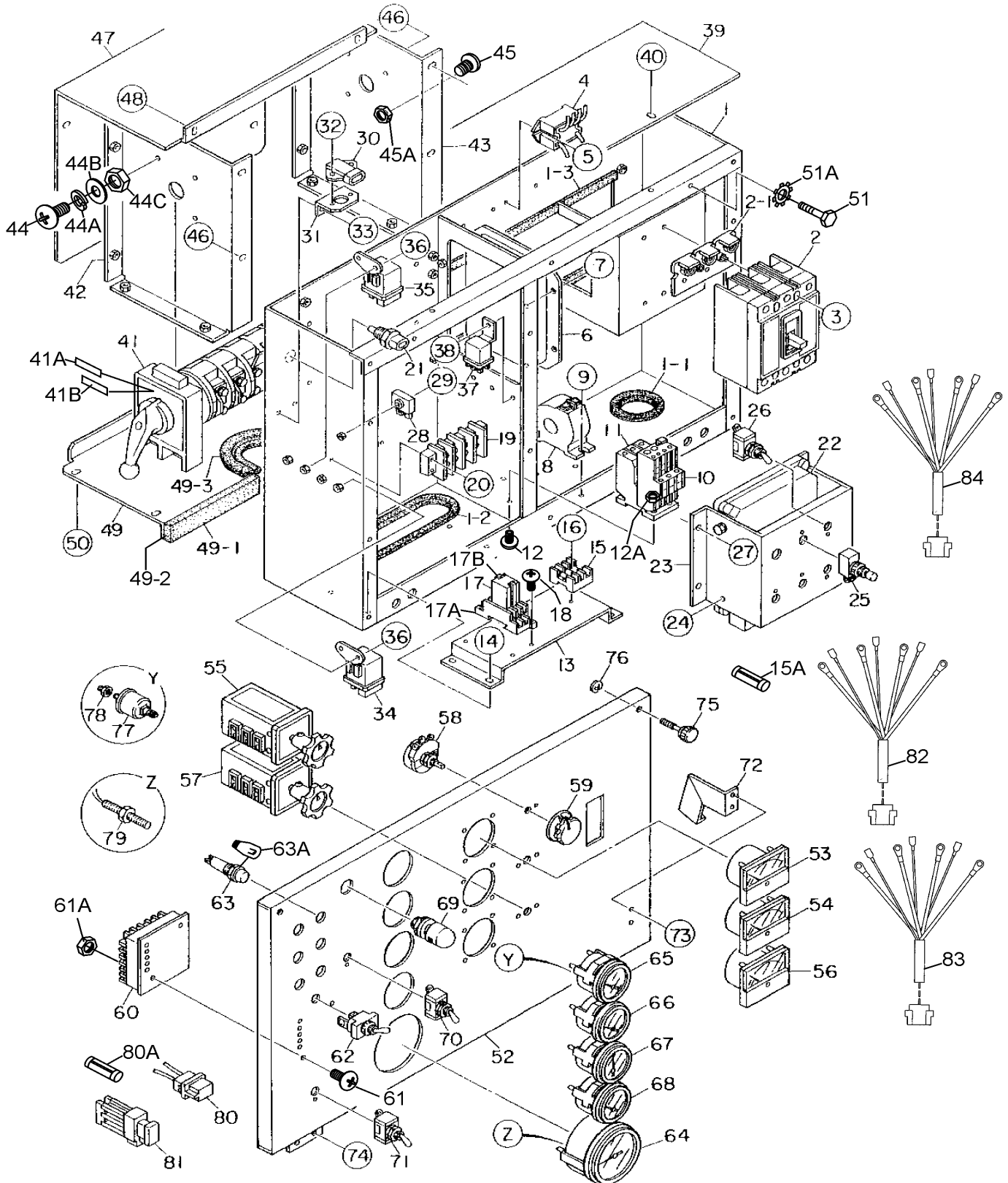
# CONTROL BOX ASSY.



## CONTROL BOX ASSY.

<u>NO.</u>	<u>PART NO.</u>	<u>PART NAME</u>	<u>QTY.</u>	<u>REMARKS</u>
1	M2214000602	CONTROL BOX	1	
1-1	0411100180	EDGING	2	
1-2	0411100615	EDGING	1	
1-3	0411100300	EDGING	2	
2	0601870432	CIRCUIT BREAKER, 175A	1	
2-1	0601870490	COVER, CIRCUIT BREAKER	2	
3	0021004040	MACHINE SCREW	4	
4	0601823863	RELAY UNIT	2	
5	0027104016	MACHINE SCREW	4	
6	0601820602	AUTOMATIC VOLTAGE REGULATOR	1	
7	0027105016	MACHINE SCREW	4	
8	0601801123	CURRENT TRANSFORMER	3	
9	0027106020	MACHINE SCREW	6	
10	0601820839	OVER CURRENT RELAY	1	
11	0601820844	OVER CURRENT RELAY	1	
12	0027104016	MACHINE SCREW	2	
12A	0207004000	HEX NUT	2	
13	M2260500204	SET PANEL, ELECTRIC PARTS	1	
14	0016906016	HEX HEAD BOLT	4	
15	0601802218	HOLDER, FUSE	1	
15A	0601806671	FUSE, 15A	3	
16	0027103020	MACHINE SCREW	1	
17	LY20DC12V	RELAY .....	2	REPLACES P/N 0601827656
17A	PTF08A	BASE.....	2	REPLACES P/N 0601823109
17B	PYCAT	CLIP .....	4	REPLACES P/N 0601824400
18	0027104020	MACHINE SCREW	4	
19	0601815153	TERMINAL	1	
20	0027104016	MACHINE SCREW	2	
21	8121468300	SENSOR, INLET AIR TEMP.....	1	REPLACES P/N 0603210240
22	8980980660	CONTROLLER.....	1	REPLACES P/N 0602202689
23	M3260500604	BRACKET	1	
24	0016906016	HEX HEAD BOLT	4	
25	0601831205	PUSH BUTTON SWITCH	1	
26	0601831330	DIAGNOSTIC SWITCH	1	
27	0016916016	HEX HEAD BOLT	4	
28	0601823240	RECTIFIER	1	
29	0027105020	MACHINE SCREW	1	
30	8972177780	SENSOR, BAROMETRIC PRESSURE .....	1	REPLACES P/N 0602130220
31	M2260600104	BRACKET, SENSOR	1	
32	0027105016	MACHINE SCREW	2	
33	0027105016	MACHINE SCREW	2	
34	8942481610	RELAY, STARTER .....	1	REPLACES P/N 0602202502

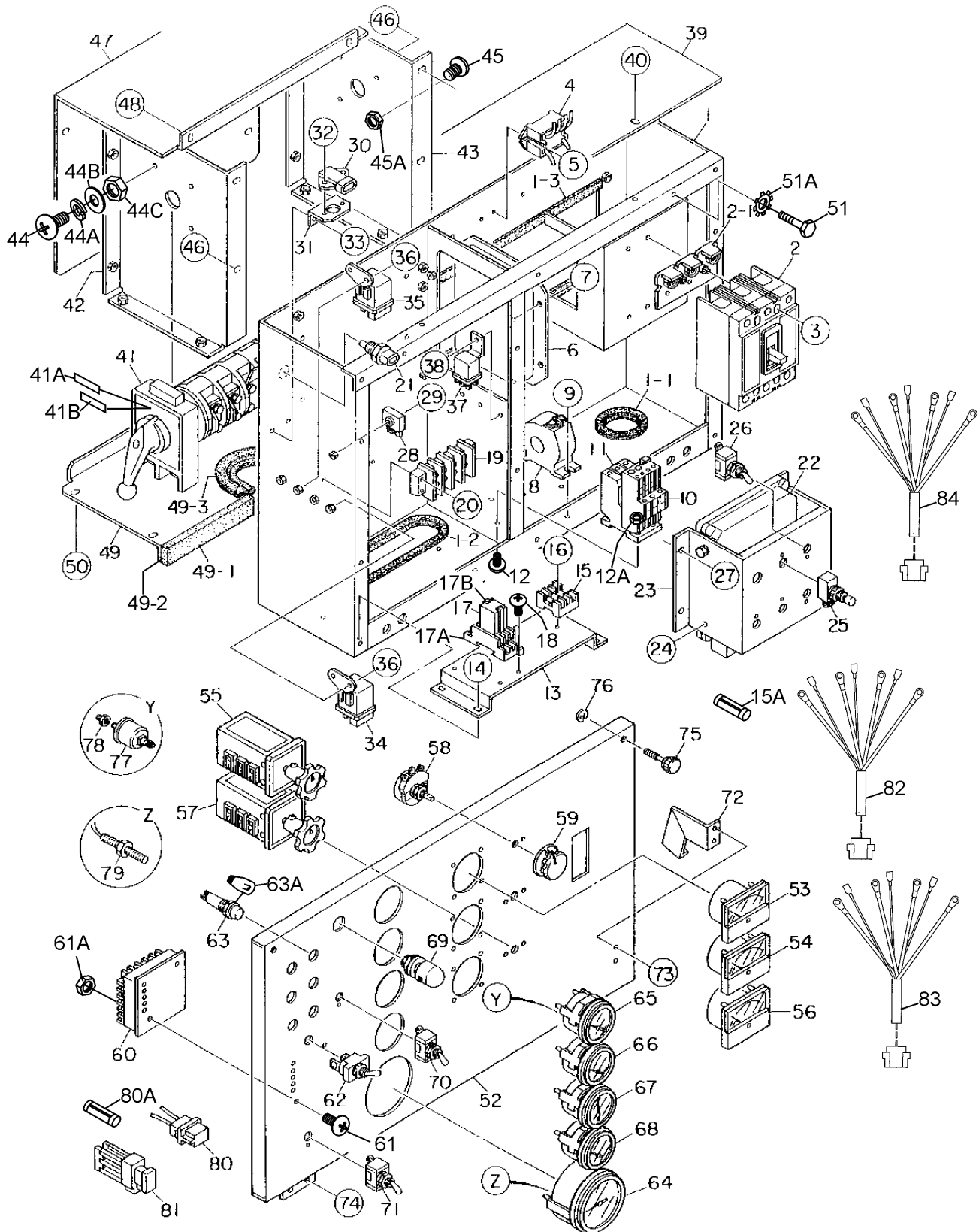
# CONTROL BOX ASSY. (CONT'D.)



## CONTROL BOX ASSY. (CONT'D.)

<u>NO.</u>	<u>PART NO.</u>	<u>PART NAME</u>	<u>QTY.</u>	<u>REMARKS</u>
35	8970119490	RELAY, GLOW PLUG.....	1	REPLACES P/N 0602202685
36	0027105016	MACHINE SCREW	4	
37	5825500290	RELAY .....	3	REPLACES P/N 0602201400
38	0027105016	MACHINE SCREW	3	
39	M2213500704	CONTROL BOX COVER	1	
40	0016906016	HEX HEAD BOLT	4	
41	M2270100104	SECLECTOR SWITCH	1	
41A	M2550001604	DECAL: SELECTOR SWITCH NO.	1	
41B	M2550001704	DECAL: SELECTOR SWITCH NO.	1	
42	M2213602704	SWITCH BRACKET	1	
43	M2213602704	SWITCH BRACKET	4	
44	0021004040	MACHINE SCREW	4	
44A	0040004000	WASHER, LOCK	4	
44B	0041204000	WASHER, FLAT	4	
44C	0207004000	HEX NUT	4	
45	0027104016	MACHINE SCREW	4	
45A	0207004000	HEX NUT	4	
46	0016906016	HEX HEAD BOLT	4	
47	M2213602804	SWITCH COVER	1	
48	0016906016	HEX HEAD BOLT	6	
49	M2213602904	SWITCH COVER	1	
49-1	0228800165	SEAL RUBBER	1	
49-2	0228800115	SEAL RUBBER	1	
49-3	0317700180	SEAL RUBBER	1	
50	0016906016	HEX HEAD BOLT	4	
51	0016906016	HEX HEAD BOLT	12	
51A	0040506000	TOOTHED WASHER	1	
52	M2223001103	CONTROL PANEL	1	
53	0601807641	FREQUENCY METER, 45~ 65Hz 240V	1	
54	0601808987	AC AMMETER, 0~150A/300A: 5A	1	
55	0601801040	CHANGE-OVER SWITCH, AMMETER	1	
56	0601806859	AC VOLTMETER, 0~600V	1	
57	0601801041	CHANGE-OVER SWITCH, VOLTMETER	1	
58	0601840073	RHEOSTAT (VR), 2W 1K OHM	1	
59	0601840121	KNOB	1	
60	0602202641	CONTROLLER	1	
61	0021004040	MACHINE SCREW	2	
61A	0207004000	HEX NUT	2	
62	0601831340	SWITCH	1	
63	0602103092	ALARM LAMP	2	
63A	0601810245	BULB, DC18V	2	
64	0602120095	TACHOMETER	1	
65	0602122093	OIL PRESSURE GAUGE	1	
66	0602123090	WATER TEMPERATURE GAUGE	1	
67	0602121081	CHARGING AMMETER	1	

# CONTROL BOX ASSY. (CONT'D.)

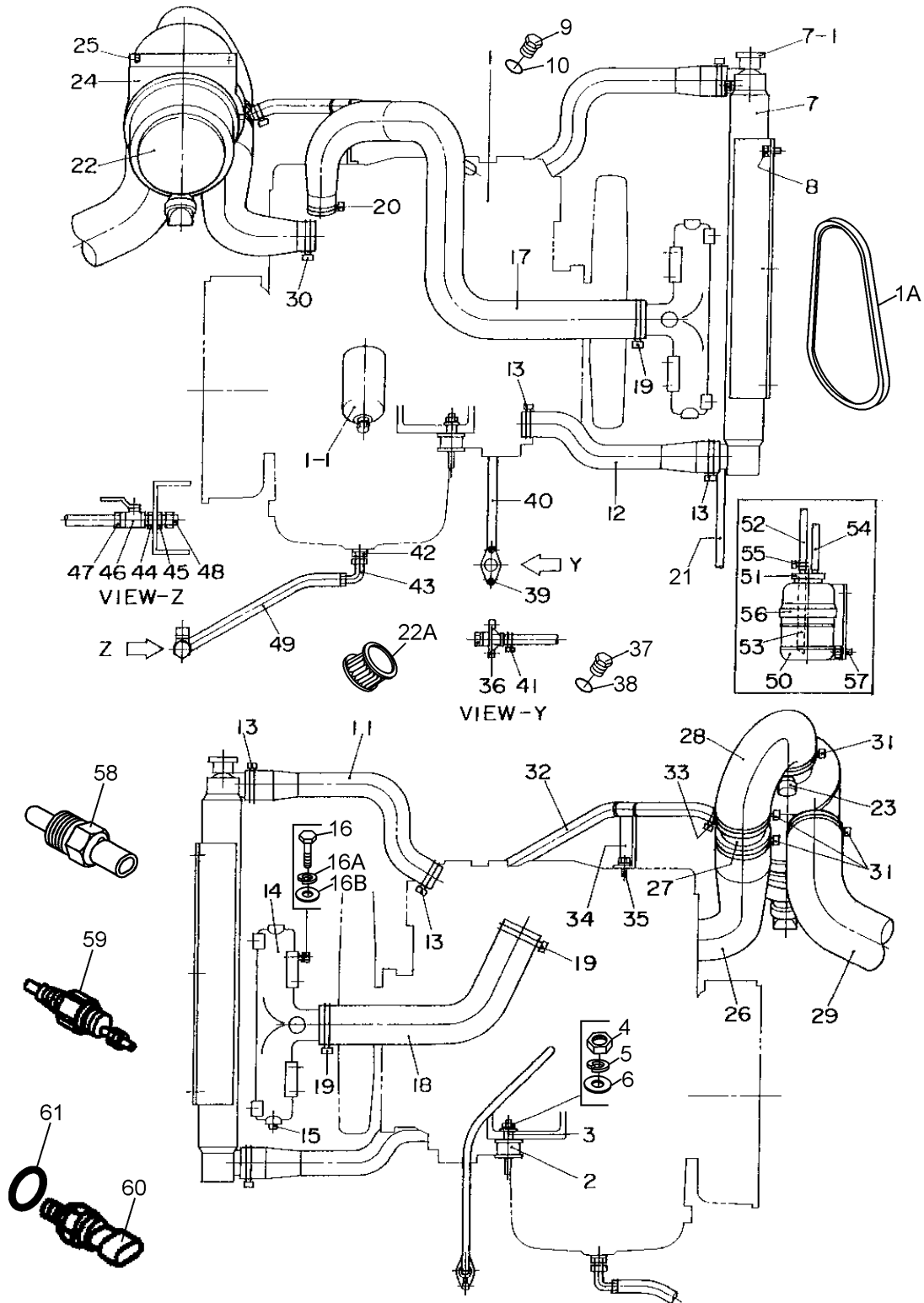


## CONTROL BOX ASSY. (CONT'D.)

---

<u>NO.</u>	<u>PART NO.</u>	<u>PART NAME</u>	<u>QTY.</u>	<u>REMARKS</u>
68	0602125090	FUEL GAUGE	1	
69	0601810141	PANEL LIGHT	1	
70	0601831330	SWITCH, PANEL LIGHT	1	
71	0601831395	SWITCH, ENGINE SPEED	1	
72	M1224100104	STOPPER	1	
73	0027105010	MACHINE SCREW	2	
74	0027105010	MACHINE SCREW	4	
75	M9220100004	SET SCREW	2	
76	0080200007	SNAP RING	2	
77	0602122272	UNIT, OIL PRESSURE	1	
78	M9200100004	ADAPTER	1	
79	0602120465	PICK UP, TACHOMETER	1	
80	M2357202104	FUSE HOLDER UNIT	1	
80A	0601806644	FUSE, 30A	1	
81	0601806640	FUSE, 65A	1	
82	M2247701004	WIRE HARNESS, GENERATOR	1	
83	M2357202002	WIRE HARNESS, ENGINE	1	
84	M2357201802	WIRE HARNESS, CONTROLLER	1	

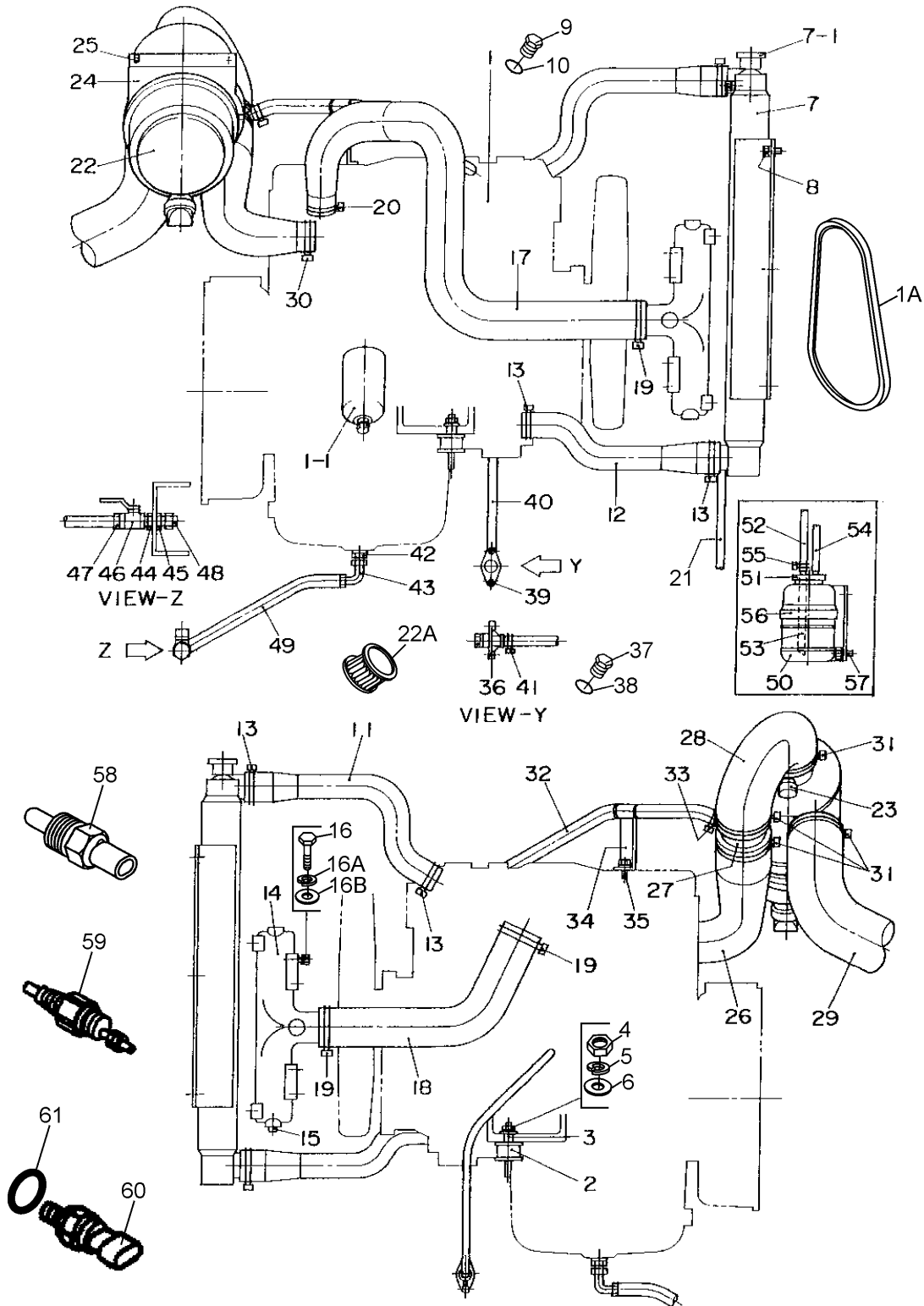
# ENGINE AND RADIATOR ASSY.



## ENGINE AND RADIATOR ASSY.

<u>NO.</u>	<u>PART NO.</u>	<u>PART NAME</u>	<u>QTY.</u>	<u>REMARKS</u>
1	M2923200144	ENGINE, ISUZU 4JJ1X	1	
1A	8973629260	FAN BELT .....	1	REPLACES P/N 0602015256
1-1	8980188580	CARTRIDGE, OIL FILTER .....	1	REPLACES P/N 0602041222
2	0605000451	RUBBER SUSPENSION	2	
3	M2413800104	COLLER	2	
4	0030010000	HEX NUT	1	
5	0040010000	WASHER, LOCK	2	
6	0042810000	WASHER, FLAT	2	
7	M2923200074	RADIATOR	1	
7-1	0602011029	CAP, RADIATOR	1	
8	0016908020	HEX HEAD BOLT	6	
9	M9200100904	PLUG	1	
10	0150000016	O-RING	1	
11	M2310502003	RADIATOR HOSE, UPPER	1	
12	M2310502103	RADIATOR HOSE, LOWER	1	
13	0605515147	HOSE BAND	4	
14	M2923200124	INTER COOLER	1	
15	0132004000	PLUG, 3/8"	1	
16	0010510020	HEX HEAD BOLT	8	
16A	0040010000	WASHER, LOCK	8	
16B	0041210000	WASHER, FLAT	8	
17	M2310501903	INTER COOLER HOSE	1	
18	M2310501803	INTER COOLER HOSE	1	
19	0605515208	HOSE BAND	3	
20	0605515207	HOSE BAND	1	
21	0193601000	DRAIN HOSE	1	
22	0602046582	AIR CLEANER	1	
22A	0602046365	ELEMENT, AIR CLEANER	1	
23	0602040651	INDICATOR, AIR CLEANER	1	
24	0602040554	AIR CLEANER BAND	1	
25	0016908030	HEX HEAD BOLT	2	
26	M2373101603	HOSE, AIR CLEANER	1	
27	M2326100304	BLOWBY PIPE	1	
28	M2373101503	HOSE, AIR CLEANER	1	
29	M2373101403	HOSE, AIR CLEANER	1	
30	0605515230	HOSE BAND	1	
31	0605515197	HOSE BAND	4	
32	0191500770	BLOWBY HOSE	1	
33	0605515149	HOSE BAND	2	
34	M3326200204	BLOWBY HOSE BRACKET	1	
35	0016908020	HEX HEAD BOLT	1	
36	M2320300103	DRAIN JOINT	1	
37	M9200200004	PLUG	1	
38	0150000018	O-RING	1	
39	0016906020	HEX HEAD BOLT	2	

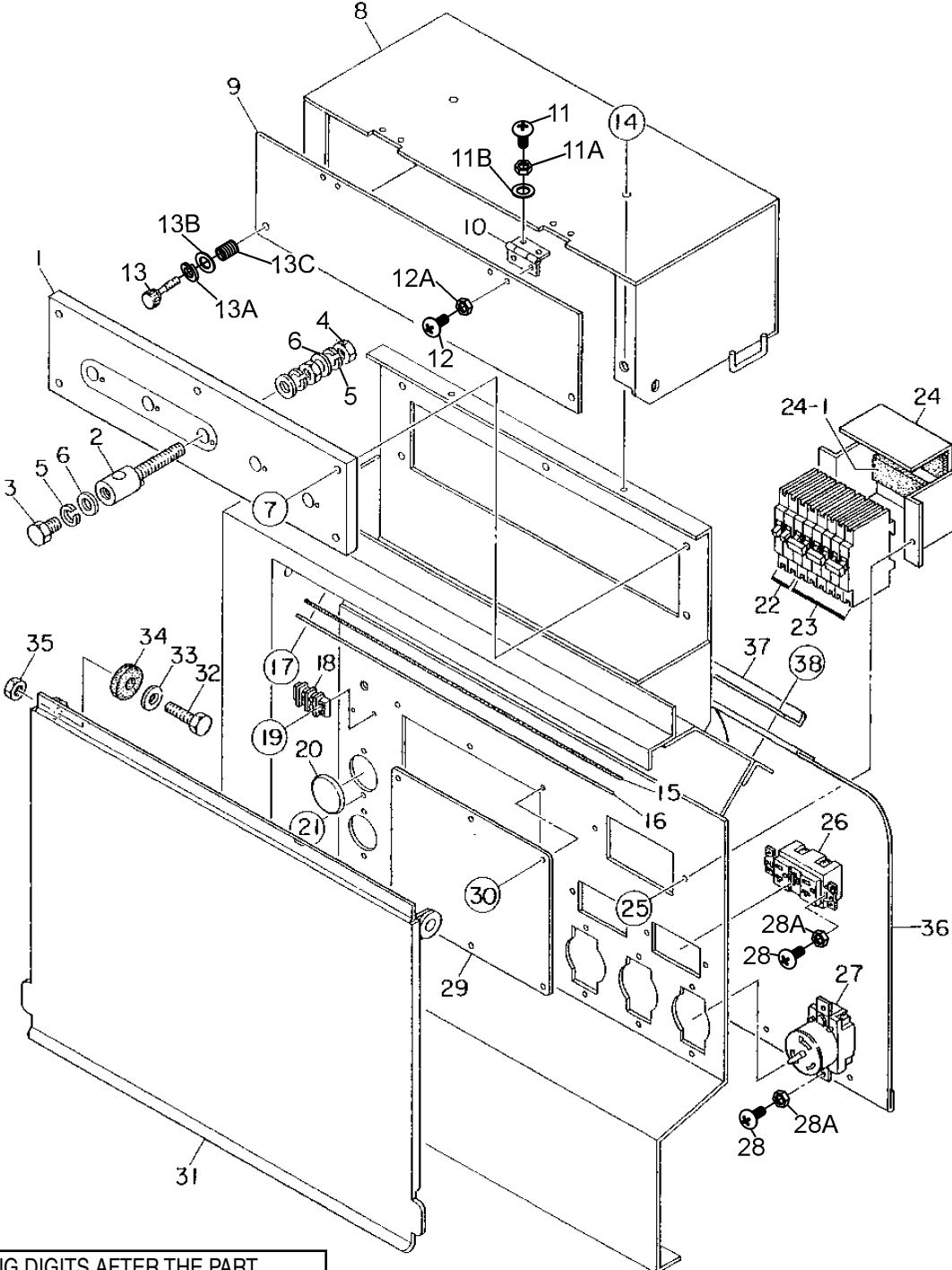
# ENGINE AND RADIATOR ASSY. (CONT'D.)



## ENGINE AND RADIATOR ASSY. (CONT'D.)

<u>NO.</u>	<u>PART NO.</u>	<u>PART NAME</u>	<u>QTY.</u>	<u>REMARKS</u>
40	0199901700	DRAIN HOSE	1	
41	0605515106	HOSE BAND	2	
42	0602022581	ADAPTER	1	
43	0602022561	90 DEGREE ELBOW	1	
44	0603306590	CONNECTOR	1	
45	0603300285	LOCKNUT	1	
46	0605511395	VALVE	1	
47	0603306395	HOSE JOINT	1	
48	0602021050	CAP	1	
49	0269200500	DRAIN HOSE	1	
50	M9300000103	RESERVE TANK	1	
51	M9300100003	CAP, RESERVE TANK	1	
52	0199100500	HOSE	1	
53	0199100175	HOSE	1	
54	0193601850	HOSE	1	
55	0605515106	HOSE BAND	3	
56	M2316100304	BRACKET, RESERVE TANK	1	
57	0016908020	HEX HEAD BOLT	2	
58	8121468300	SENSOR, WATER TEMPERATURE	1	
59	8971256001	SWITCH, WARNING OVERHEAT	1	
60	8980274560	SENSOR, OIL PRESSURE	1	
61	1096300850	GASKET, SENSOR OIL PRESSURE	1	

# OUTPUT TERMINAL ASSY.



ADD THE FOLLOWING DIGITS AFTER THE PART NUMBER WHEN ORDERING ANY PAINTED PANEL TO INDICATE COLOR OF UNIT:

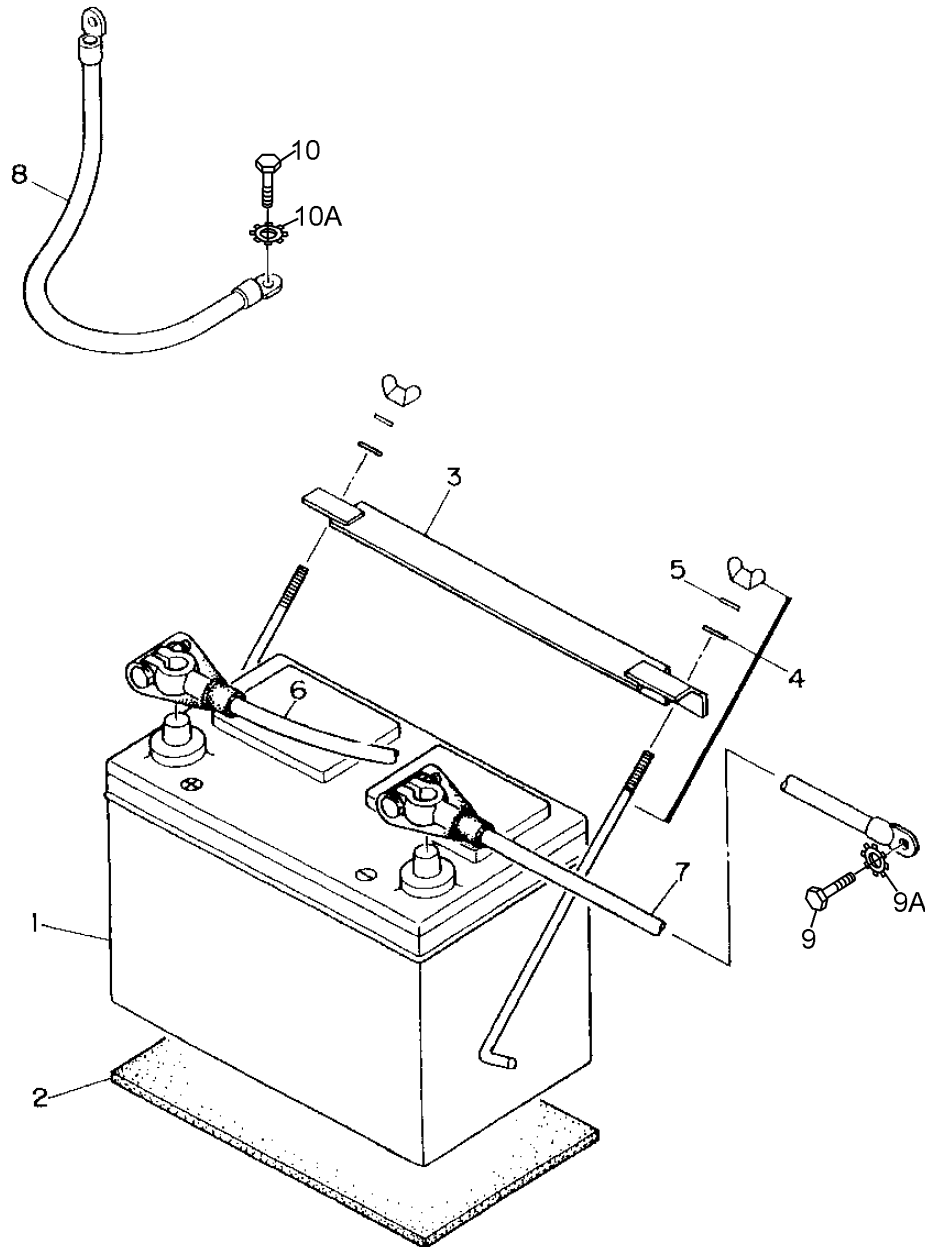
1-ORANGE	5-BLACK
2-WHITE	6-CATERPILLAR YELLOW
3-SPECTRUM GREY	7-CATO GOLD
4-SUNBELT GREEN	8-RED

THE SERIAL NUMBER MAY BE REQUIRED.

## OUTPUT TERMINAL ASSY.

<u>NO.</u>	<u>PART NO.</u>	<u>PART NAME</u>	<u>QTY.</u>	<u>REMARKS</u>
1	M3230700003	TERMINAL PANEL	1	
2	M9220100304	OUTPUT TERMINAL BOLT	5	
3	M9220100404	TIE BOLT	5	
4	0039316000	HEX NUT	10	
5	0040016000	WASHER, LOCK	15	
6	0041416000	WASHER, FLAT	20	
7	0016908035	HEX HEAD BOLT	5	
8	M3236100803	TERMINAL COVER	1	
9	M3236100104	OUTPUT WINDOW	1	
10	0605010040	HINGE	2	
11	0027103010	MACHINE SCREW	4	
11A	0030003000	HEX NUT	4	
11B	0041203000	WASHER, FLAT	4	
12	0027103010	MACHINE SCREW	4	
12A	0030003000	HEX NUT	4	
13	M9220100804	SET SCREW	2	
13A	0040006000	WASHER, LOCK	2	
13B	0041206000	WASHER, FLAT	2	
13C	0080200005	RETAINING RING	2	
14	0016906016	HEX HEAD BOLT	4	
15	M3236400004	CABLE OUTLET COVER	1	
16	M3236300004	SUPPORTER, CABLE OUTLET COVER	1	
17	0016906020	HEX HEAD BOLT	6	
18	0601815194	TERMINAL	1	
19	0027104016	MACHINE SCREW	2	
20	0603306775	BLIND PLUG	2	
21	0027104016	MACHINE SCREW	4	
22	0601808803	CIRCUIT BREAKER, 1P 20A	2	
23	0601808804	CIRCUIT BREAKER, 2P 50A	3	
24	M1260700304	BREAKER FITTING, COVER	1	
24-1	0222100100	CUSHION RUBBER	2	
25	0016906020	HEX HEAD BOLT	2	
26	0601814013	RECEPTACLE, GF530EM 125V 20Ax2.....	2	REPLACES P/N 0601814024
27	0601812538	RECEPTACLE, CS6369 250V 50A	3	
28	0027104016	MACHINE SCREW	10	
28A	0207004000	HEX NUT	10	
29	M2453400004	COVER	1	
30	0016906016	HEX HEAD BOLT	6	
31	M2236100803	TERMINAL COVER	1	
32	0010112045	HEX HEAD BOLT	2	
33	0041212000	WASHER, FLAT	2	
34	M9310200004	STAY RUBBER	2	
35	0030012000	HEX NUT	2	
36	M4236100604	COVER	1	
37	M4236400304	BRACKET	1	
38	0019206015	HEX HEAD BOLT	2	

# BATTERY ASSY.

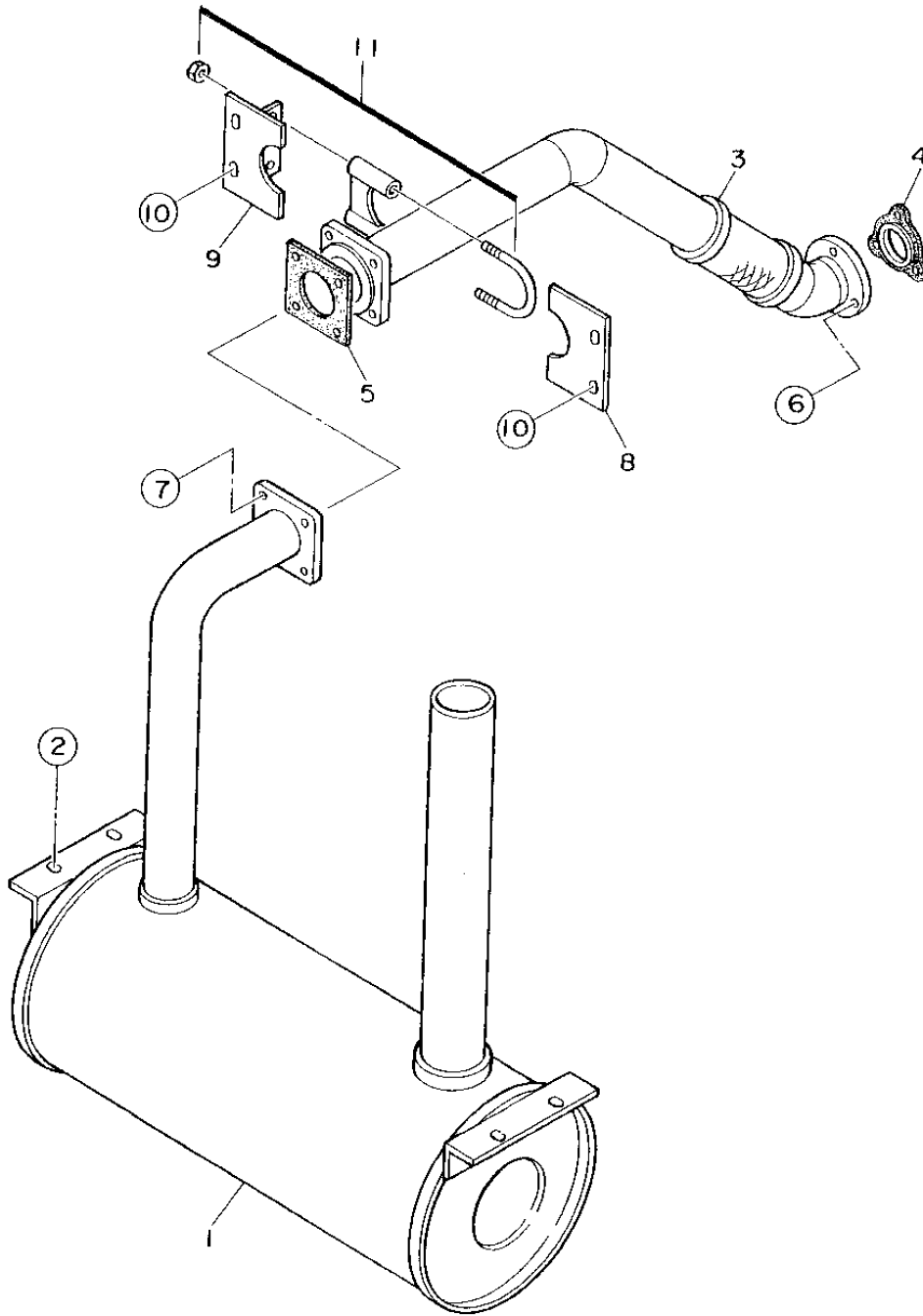


## BATTERY ASSY.

---

<u>NO.</u>	<u>PART NO.</u>	<u>PART NAME</u>	<u>QTY.</u>	<u>REMARKS</u>
1	0602220199	BATTERY	1	
2	M9310500014	BATTERY SHEET	1	
3	M9103000304	BATTERY BAND	1	
4	0602220920	BATTERY BOLT SET	2	
5	0040006000	WASHER, LOCK	2	
6	M2346900704	BATTERY CABLE	1	
7	M2346900604	BATTERY CABLE	1	
8		CABLE.....	1	.....MAKE LOCALLY
9	0017112025	HEX HEAD BOLT	1	
9A	0040512000	TOOTHED WASHER	1	
10	0016910025	HEX HEAD BOLT	1	
10A	0040510000	TOOTHED WASHER	1	

# MUFFLER ASSY.

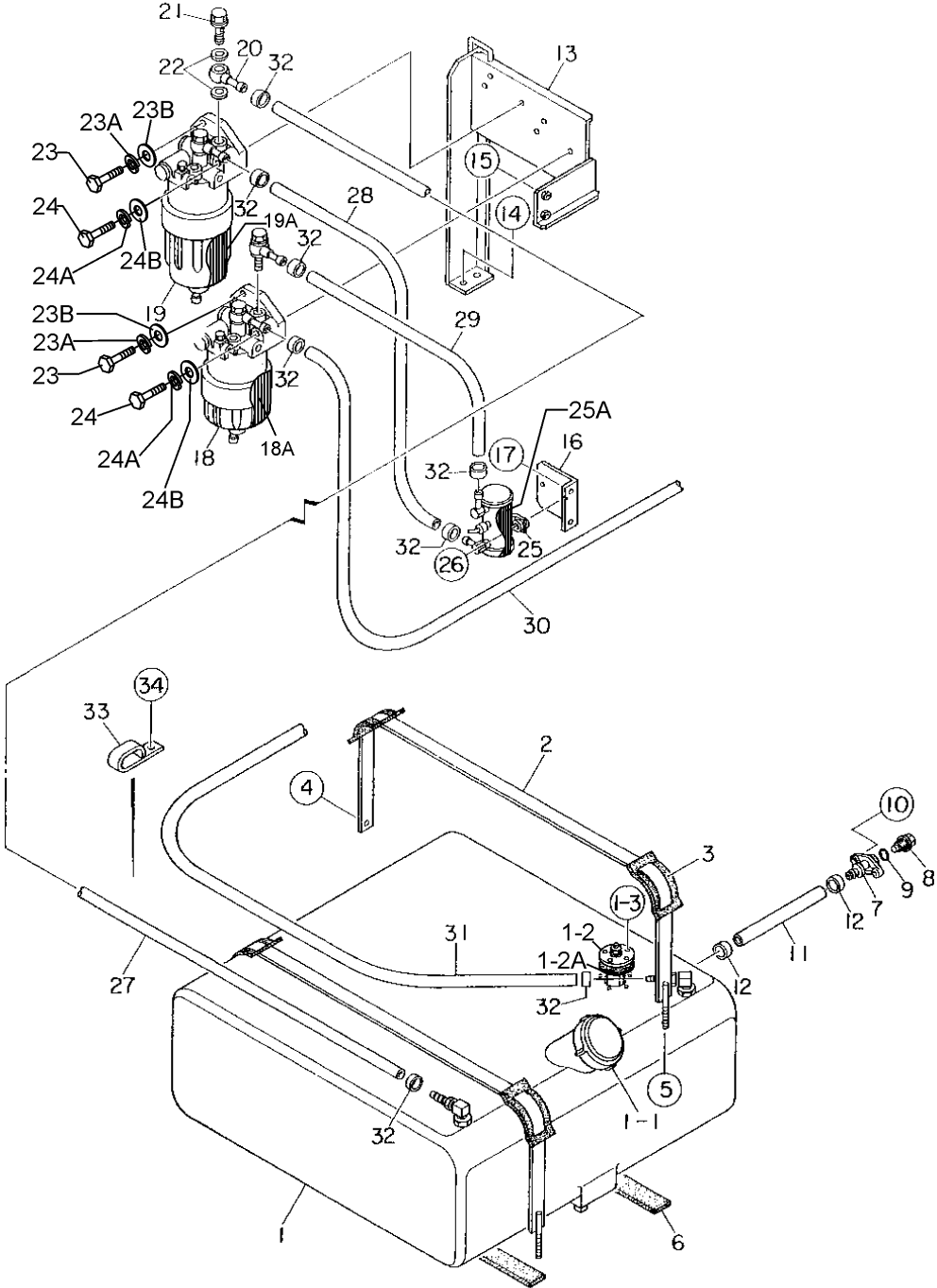


## MUFFLER ASSY.

---

<u>NO.</u>	<u>PART NO.</u>	<u>PART NAME</u>	<u>QTY.</u>	<u>REMARKS</u>
1	M2330101203	MUFFLER	1	
2	0016910025	HEX HEAD BOLT	4	
3	M2333001503	EXHAUST PIPE	1	
4	8943690210	GASKET .....	1	.....REPLACES P/N 0602320101
5	M2333200504	GASKET	1	
6	0039308000	HEX NUT	6	
7	0016908040	HEX HEAD BOLT	4	
8	M2333300204	COVER, EXHAUST PIPE	1	
9	M2333300304	COVER, EXHAUST PIPE	1	
10	0016908020	HEX HEAD BOLT	4	
11	0602326090	U-BOLT	1	

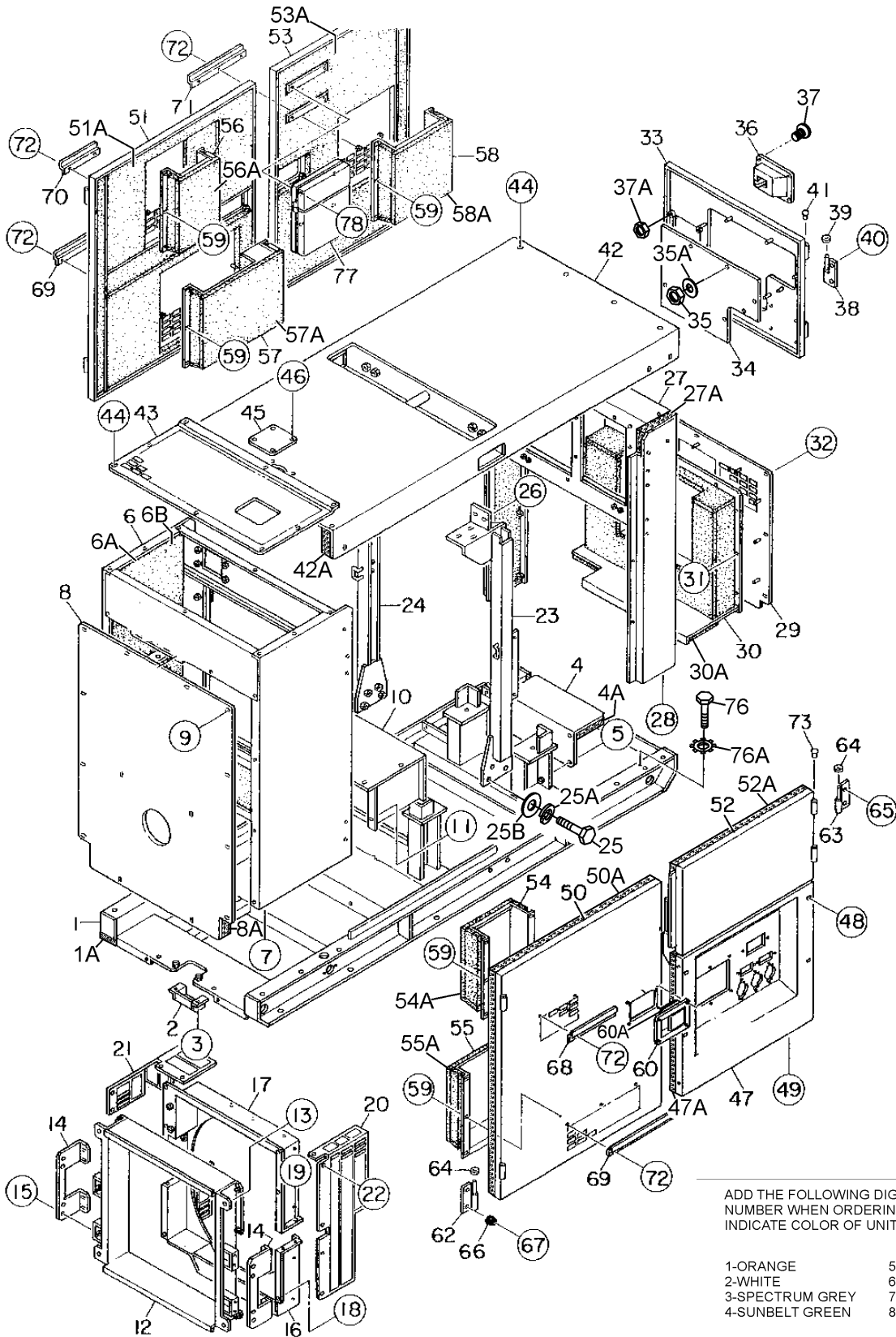
# FUEL TANK ASSY.



## FUEL TANK ASSY.

<u>NO.</u>	<u>PART NO.</u>	<u>PART NAME</u>	<u>QTY.</u>	<u>REMARKS</u>
1	M2363000102	FUEL TANK	1	
1-1	0605505070	CAP, FUEL TANK	1	
1-2	0605501058	FUEL SENDER UNIT	1	
1-2A	0605516090	GASKET	1	
1-3	0027104016	MACHINE SCREW	5	
2	M2363200104	TANK BAND	2	
3	M9310500104	SUPPORTER SHEET	4	
4	0016908020	HEX HEAD BOLT	2	
5	0207308000	HEX NUT	2	
6	0222100178	RUBBER SHEET	4	
7	M9200000003	DRAIN JOINT	1	
8	M9200200004	DRAIN BOLT	1	
9	0150000018	O-RING	1	
10	0016906020	HEX HEAD BOLT	2	
11	0191500220	DRAIN HOSE	1	
12	0605515198	HOSE BAND	2	
13	M2366700203	FUEL FILTER BRACKET	1	
14	0016910025	HEX HEAD BOLT	2	
15	0016908020	HEX HEAD BOLT	2	
16	M2366700104	FUEL PUMP BRACKET	1	
17	0016908020	HEX HEAD BOLT	2	
18	8980139861	FUEL FILTER (MAIN).....	1	REPLACES P/N 0602042426
18A	8980088400	ELEMENT, FUEL FILTER, (MAIN) .....	1	REPLACES P/N 0602042515
19	8980758550	FUEL FILTER (PRE) .....	1	REPLACES P/N 0602042405
19A	8980758540	ELEMENT, FUEL FILTER, (PRE).....	1	REPLACES P/N 0602042516
20	8973834270	JOINT PIPE.....	1	REPLACES P/N 0602042661
21	1096750951	JOINT BOLT .....	4	REPLACES P/N 0602042621
22	1096300860	PACKING.....	8	REPLACES P/N 0602042641
23	0015310045	HEX SOCKET HEAD CAP SCREW	4	
23A	0040010000	WASHER, LOCK	4	
23B	0041210000	WASHER, FLAT	4	
24	0010110080	HEX HEAD BOLT	2	
24A	0040010000	WASHER, LOCK	2	
24B	0041210000	WASHER, FLAT	2	
25	8980682750	FUEL FEED PUMP .....	1	REPLACES P/N 0602023240
25A	8980714010	FUEL FILTER .....	1	REPLACES P/N 0602042517
26	0016906025	HEX HEAD BOLT	2	
27	0191301750	SUCTION HOSE	1	
28	0191300650	SUCTION HOSE	1	
29	0191300450	SUCTION HOSE	1	
30	0191301400	SUCTION HOSE	1	
31	0191302150	RETURN HOSE	1	
32	0605515109	HOSE BAND	10	
33	0602220911	CLAMP	1	
34	0016908020	HEX HEAD BOLT	1	

# ENCLOSURE ASSY.



ADD THE FOLLOWING DIGITS AFTER THE PART NUMBER WHEN ORDERING ANY PAINTED PANEL TO INDICATE COLOR OF UNIT:

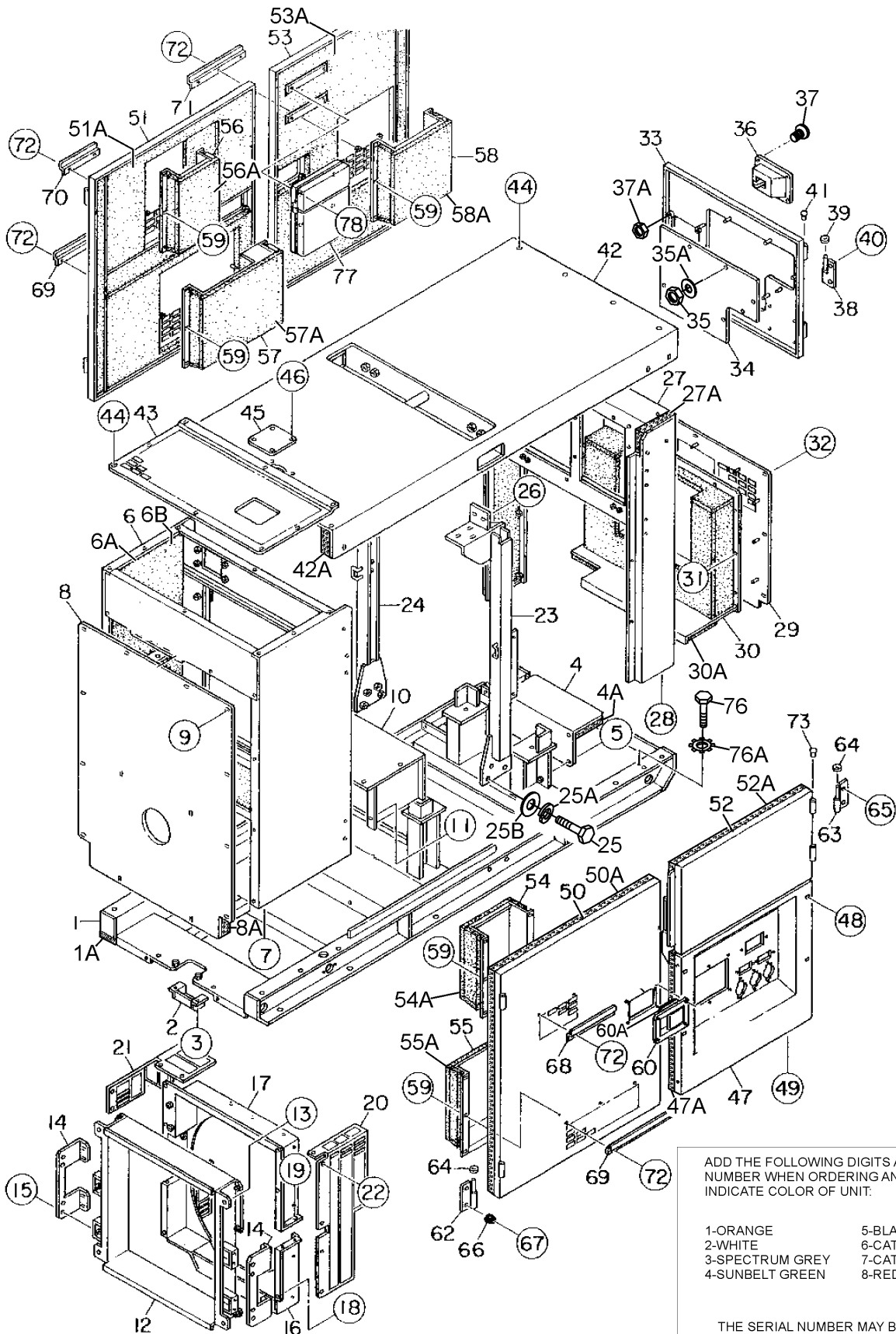
- |                 |                      |
|-----------------|----------------------|
| 1-ORANGE        | 5-BLACK              |
| 2-WHITE         | 6-CATERPILLAR YELLOW |
| 3-SPECTRUM GREY | 7-CATO GOLD          |
| 4-SUNBELT GREEN | 8-RED                |

THE SERIAL NUMBER MAY BE REQUIRED.

## ENCLOSURE ASSY.

<u>NO.</u>	<u>PART NO.</u>	<u>PART NAME</u>	<u>QTY.</u>	<u>REMARKS</u>
1	M2413002102	BASE	1	
1A	M2493000004	ACOUSTIC SHEET	1	
2	M1413400004	UNDER COVER	1	
3	0016908020	HEX HEAD BOLT	2	
4	M2413600004	DUCT	1	
4A	M2493000104	ACOUSTIC SHEET	1	
5	0016908020	HEX HEAD BOLT	4	
6	M2424000502	FRONT FRAME	1	
6A	M2493108703	ACOUSTIC SHEET	1	
6B	0228800100	SEAL RUBBER	4	
7	0016908020	HEX HEAD BOLT	6	
8	M2423202504	COVER, FRONT FRAME	1	
8A	M2493101104	ACOUSTIC SHEET	1	
9	0019208020	HEX HEAD BOLT	14	
10	M2423202703	INNER COVER, FRONT FRAME	1	
11	0016908020	HEX HEAD BOLT	7	
12	M2310200603	SUPPORTER, INTER COOLER	1	
13	0017110020	HEX HEAD BOLT	4	
14	M2310200504	BRACKET, INNER COOLER	2	
15	0016908020	HEX HEAD BOLT	8	
16	M2310302803	FAN SHROUD	1	
17	M2310302903	FAN SHROUD	1	
18	0016908020	HEX HEAD BOLT	6	
19	0016908020	HEX HEAD BOLT	4	
20	M2310303004	FAN GUARD	1	
21	M2310303103	FAN GUARD	1	
22	0016908020	HEX HEAD BOLT	9	
23	M2435000203	HANGER	1	
24	M2433001103	HANGER	1	
25	0010114030	HEX HEAD BOLT	8	
25A	0040014000	WASHER, LOCK	8	
25B	0041214000	WASHER, FLAT	8	
26	0017112030	HEX HEAD BOLT	10	
27	M2443001302	REAR FRAME	1	
27A	M2493305404	ACOUSTIC SHEET	2	
28	0016908020	HEX HEAD BOLT	4	
29	M2443301203	REAR COVER	1	
30	M2443301703	DUCT, REAR COVER	1	
30A	M2493305303	ACOUSTIC SHEET	1	
31	0207006000	HEX NUT	12	
32	0019208020	HEX BOLT	9	
33	M2444200303	REAR DOOR	1	
34	M1443600204	WINDOW PLATE	1	
35	0037906000	HEX NUT	8	
35A	0041206000	WASHER, FLAT	8	

# ENCLOSURE ASSY. (CONT'D.)



ADD THE FOLLOWING DIGITS AFTER THE PART NUMBER WHEN ORDERING ANY PAINTED PANEL TO INDICATE COLOR OF UNIT.

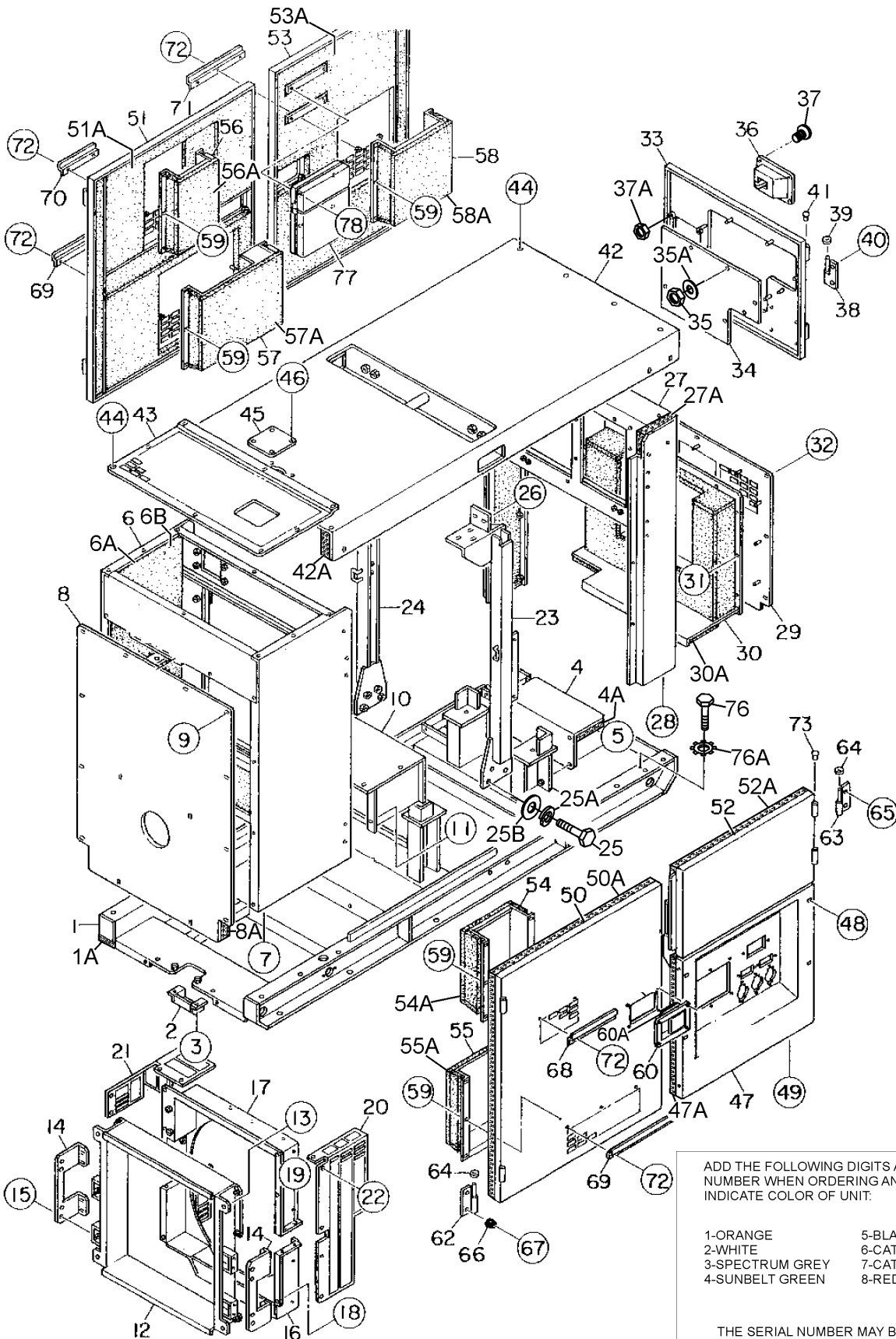
- |                 |                      |
|-----------------|----------------------|
| 1-ORANGE        | 5-BLACK              |
| 2-WHITE         | 6-CATERPILLAR YELLOW |
| 3-SPECTRUM GREY | 7-CATO GOLD          |
| 4-SUNBELT GREEN | 8-RED                |

THE SERIAL NUMBER MAY BE REQUIRED.

## ENCLOSURE ASSY. (CONT'D.)

<u>NO.</u>	<u>PART NO.</u>	<u>PART NAME</u>	<u>QTY.</u>	<u>REMARKS</u>
36	0605012309	DOOR HANDLE ASSY.	1	
37	0021806016	MACHINE SCREW	4	
37A	0030006000	HEX NUT	4	
38	M9110100204	HINGE	2	
39	M9116100004	WASHER	2	
40	0019208020	HEX HEAD BOLT	3	
41	M9310000004	BLIND PLUG	2	
42	M2464000302	ROOF PANEL	1	
42A	M2493505103	ACOUSTIC SHEET	1	
43	M2423203104	OVER COVER, FRONT FRAME	1	
44	0019208020	HEX HEAD BOLT	18	
45	M3310600004	COVER	1	
46	0019208020	HEX HEAD BOLT	4	
47	M2454200402	SPLASHER PANEL	1	
47A	M2493409904	ACOUSTIC SHEET	1	
48	0019108055	HEX HEAD BOLT	4	
48A	M0042308000	WASHER, LOCK	4	
48B	0042408000	WASHER, FLAT	4	
49	0016908020	HEX HEAD BOLT	2	
50	M2454001403	SIDE DOOR	1	
50A	M2493409404	ACOUSTIC SHEET	1	
51	M2454001503	SIDE DOOR	1	
51A	M2493409604	ACOUSTIC SHEET	1	
52	M2453003903	SIDE DOOR	1	
52A	M2493407804	ACOUSTIC SHEET	1	
53	M2454001603	SIDE DOOR	1	
53A	M2493409804	ACOUSTIC SHEET	1	
54	M2453301704	DUCT	1	
54A	M2493412404	ACOUSTIC SHEET	1	
55	M2453301604	DUCT	1	
55A	M2483412404	ACOUSTIC SHEET	1	
56	M2453301804	DUCT	1	
56A	M2493413304	ACOUSTIC SHEET	1	
57	M2453302004	DUCT	1	
57A	M2493412404	ACOUSTIC SHEET	1	
58	M2453301904	DUCT	1	
58A	M2493413904	ACOUSTIC SHEET	1	
59	020706000	HEX NUT	32	
60	0605012309	DOOR HANDLE ASSY.	3	
60A	C9312500004	SEAL RUBBER	3	
62	M9110100204	HINGE	4	
63	M9110100304	HINGE	4	
64	M9116100004	WASHER	8	

# ENCLOSURE ASSY. (CONT'D.)



ADD THE FOLLOWING DIGITS AFTER THE PART NUMBER WHEN ORDERING ANY PAINTED PANEL TO INDICATE COLOR OF UNIT.

- |                 |                      |
|-----------------|----------------------|
| 1-ORANGE        | 5-BLACK              |
| 2-WHITE         | 6-CATERPILLAR YELLOW |
| 3-SPECTRUM GREY | 7-CATO GOLD          |
| 4-SUNBELT GREEN | 8-RED                |

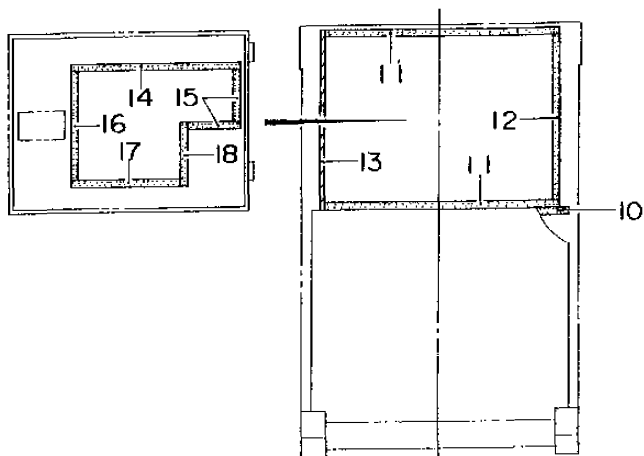
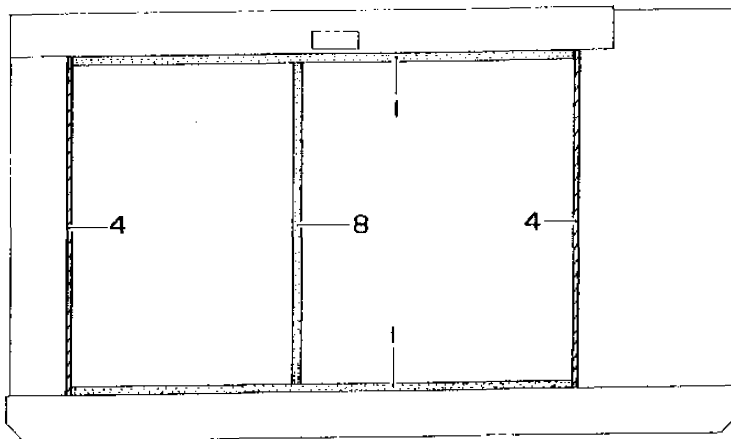
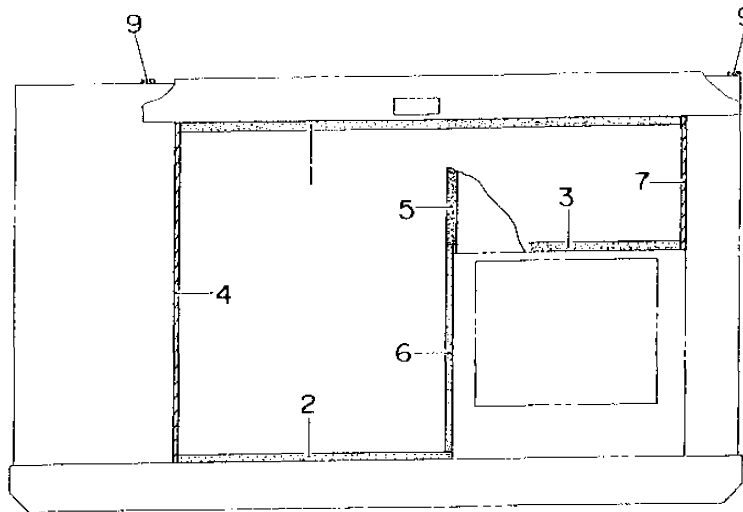
THE SERIAL NUMBER MAY BE REQUIRED.

## ENCLOSURE ASSY. (CONT'D.)

---

<u>NO.</u>	<u>PART NO.</u>	<u>PART NAME</u>	<u>QTY.</u>	<u>REMARKS</u>
65	0019208020	HEX HEAD BOLT	9	
66	0601850097	DOOR STOPPER	8	
67	0027208025	MACHINE SCREW	8	
68	M2453700204	DOOR BRACKET	1	
69	M2453700304	DOOR BRACKET	2	
70	M2453700404	DOOR BRACKET	1	
71	M2453700504	DOOR BRACKET	1	
72	0019206015	HEX HEAD BOLT	13	
73	M9310000004	BLIND PLUG	8	
75	0021106016	MACHINE SCREW	2	
76	0016908020	HEX HEAD BOLT	1	
76A	0040508000	TOOTHED WASHER	1	
77	0600800320	MANUAL PAK	1	
78	0021806016	MACHINE SCREW	4	

# RUBBER SEALS ASSY.

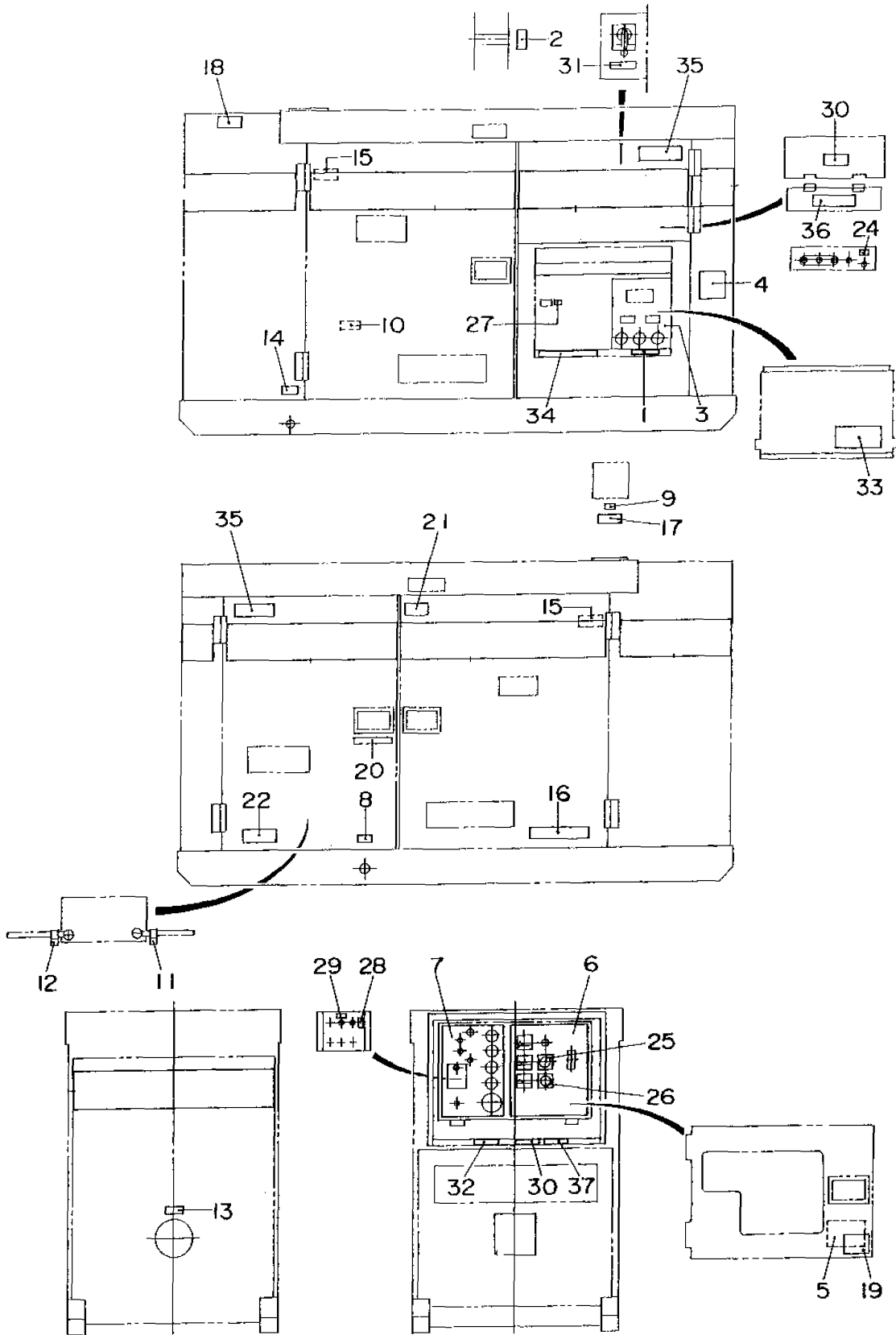


## RUBBER SEALS ASSY.

---

<u>NO.</u>	<u>PART NO.</u>	<u>PART NAME</u>	<u>QTY.</u>	<u>REMARKS</u>
1	0228901660	SEAL RUBBER	3	
2	0228900915	SEAL RUBBER	1	
3	0228900745	SEAL RUBBER	1	
4	0229401120	SEAL RUBBER	3	
5	0229400375	SEAL RUBBER	1	
6	0228800680	SEAL RUBBER	1	
7	0229400440	SEAL RUBBER	1	
8	0228901060	SEAL RUBBER	1	
9	0229200900	SEAL RUBBER	2	
10	0229200840	SEAL RUBBER	1	
11	0228800770	SEAL RUBBER	2	
12	0228800540	SEAL RUBBER	1	
13	0228800580	SEAL RUBBER	1	
14	0228100550	SEAL RUBBER	1	
15	0228100170	SEAL RUBBER	2	
16	0228100350	SEAL RUBBER	1	
17	0228100360	SEAL RUBBER	1	
18	0228100180	SEAL RUBBER	1	

# NAMEPLATE AND DECALS ASSY.



## NAMEPLATE AND DECALS ASSY.

<u>NO.</u>	<u>PART NO.</u>	<u>PART NAME</u>	<u>QTY.</u>	<u>REMARKS</u>
1	M1550000204	DECAL: NOTE .....	1	M15000020
2	M1550001304	DECAL: LIFTING CAP .....	1	M15000130
3	M1550000703	DECAL: AUXILIARY OUTPUT	1	
4	M2550000304	DECAL: NOTE .....	1	M25000030
5	M2550002303	DECAL: OPERATING PROCEDURES.....	1	M25000230
6	M2550002403	DECAL: GENERATOR CONTROL.....	1	M25000240
7	M2550002503	DECAL: ENGINE OPERATING .....	1	M25000250
8	M9500000004	DECAL: OIL DRAIN PLUG.....	1	M90000000
9	M9500100004	DECAL: WATER .....	1	M90010000
10	M9500100304	DECAL: INTER-COOLER DRAIN .....	1	M90010030
11	M9500300004	DECAL: - .....	1	M90030000
12	M9500300104	DECAL: +.....	1	M90030010
13	M9500500004	DECAL: DIESEL FUEL.....	1	M90050000
14	M9500500104	DECAL: FUEL DRAIN PLUG .....	1	M90050010
15	M9503000004	DECAL: WARNING.....	2	M90300000
16	M9503000103	DECAL: WATER-OIL CHECK.....	1	M90300010
17	M9503100004	DECAL: WARNING.....	1	M90310000
18	M9503200004	DECAL: WARNING.....	1	M90320000
19	M9503200104	DECAL: DANGER .....	1	M90320010
20	M9510000104	DECAL: DOCUMENT BOX .....	1	M91000010
21	M9510100004	DECAL: CAUTION.....	1	M91010000
22	M9510100403	DECAL: CAUTION.....	1	M91010040
24	M9520000004	DECAL: GROUND.....	1	M92000000
25	M9520000104	DECAL: AMMETER CHANGE-OVER SWITCH.....	1	M92000010
26	M9520000204	DECAL: VOLTMETER CHANGE-OVER SWITCH....	1	M92000020
27	M9520000504	DECAL: START CONTACT.....	1	M92000050
28	M9520000904	DECAL: DIAGNOSTIC SWITCH .....	1	M92000090
29	M9520001104	DECAL: DIAGNOSTIC BUTTON.....	1	M92000110
30	M9520100004	DECAL: WARNING.....	2	M92010000
31	M9520100204	DECAL: CAUTION.....	1	M92010020A
32	M9520100304	DECAL: SAFETY INSTRUCTIONS.....	1	M92010030
33	M9520100404	DECAL: DANGER .....	1	M92010040
34	M9520100503	DECAL: WARNING.....	1	M92010050
35	M9520100603	DECAL: CAUTION.....	2	M92010060
36	M9520200003	DECAL: CONNECTION OF OUTPUT CABLE .....	1	M92020000
37	M9520200404	DECAL: OVER CURRENT RELAY.....	1	M92020040