

FIGURE 1 - MK-2424HSP CONCRETE SAW - P/N 170955

ITEM NO.	DESCRIPTION	PART #	QTY.
1	NUT, HEX, 5/16 - 18	101196	1
2	SCREW, 3/8 - 16 X 1 -1/4 HEX HEAD CAP	150774	2
3	WASHER, FLAT, SAE 3/8	150923	15
4	WASHER, 1/2 SAE FLAT	150924	4
5	WASHER, LOCK, SPLIT, 3/8	150925	11
6	CLAMP, HOSE, 5/8	151198	4
7	SCREW, HEX HD, CAP, 5/16 - 18 X 3/4	151369	1
8	WASHER, 1/4 SAE FLAT	151915	4
9	NUT, 3/8 - 16 NYLOK HEX	152505	2
10	SCREW, HEX HD CAP, 3/8 -16 X 1	152507	7
11	SCREW, HEX, 3/8 - 16 X 3/4	153527	2
12	SCREW, 3/8-16 x 1-1/2 HEX HEAD	153528	2
13	SCREW, 1/2-13X1-1/4 HEX HEAD CAP	153532	4
14	SCREW, 1/4-20 X 1/2 TRUSS HEAD	153880	4
15	NUT, HEX, TW, 1/4 - 20	153941	2
16	HOSE, 1/4 FUEL, 12"	154163	1
17	HOSE, 1/4 FUEL, 24"	154163	1
18	ELBOW, 1/4 MNPT STREET	154615	1
19	ELBOW, 1/8 MNPT X 1/4 BARB 90DEG	154652	1
20	GUARD, SHAFT (COMP)	156307	1
21	LIFTING BAIL	156543	1
22	BELT, V, 3VX375	157891	4
23	NUT, HEX, NYLK, 5/16 - 18	158289	1
24	BELT, AX-44	161418	1
25	FITTING, PUSH ON HOSE 1/4 X 1/4 MALE	165183	1
26	ASSY, POINTER, CONC SAW	166465	1
27	CAP, 2" FUEL FILLER	167220	1
28	TANK, FUEL, 2.5 GAL	169353	1
29	ASSY, BLD GRD, BOLT-ON, 24"	170830-24	1
30	GUARD, BELT, OUTER, 24SERIES	170952	1
31	VALVE, BALL, 1/4"M TO 1/4"F	231248	1

FIGURE 2 - MK-2424HSP CONCRETE SAW - P/N 170955

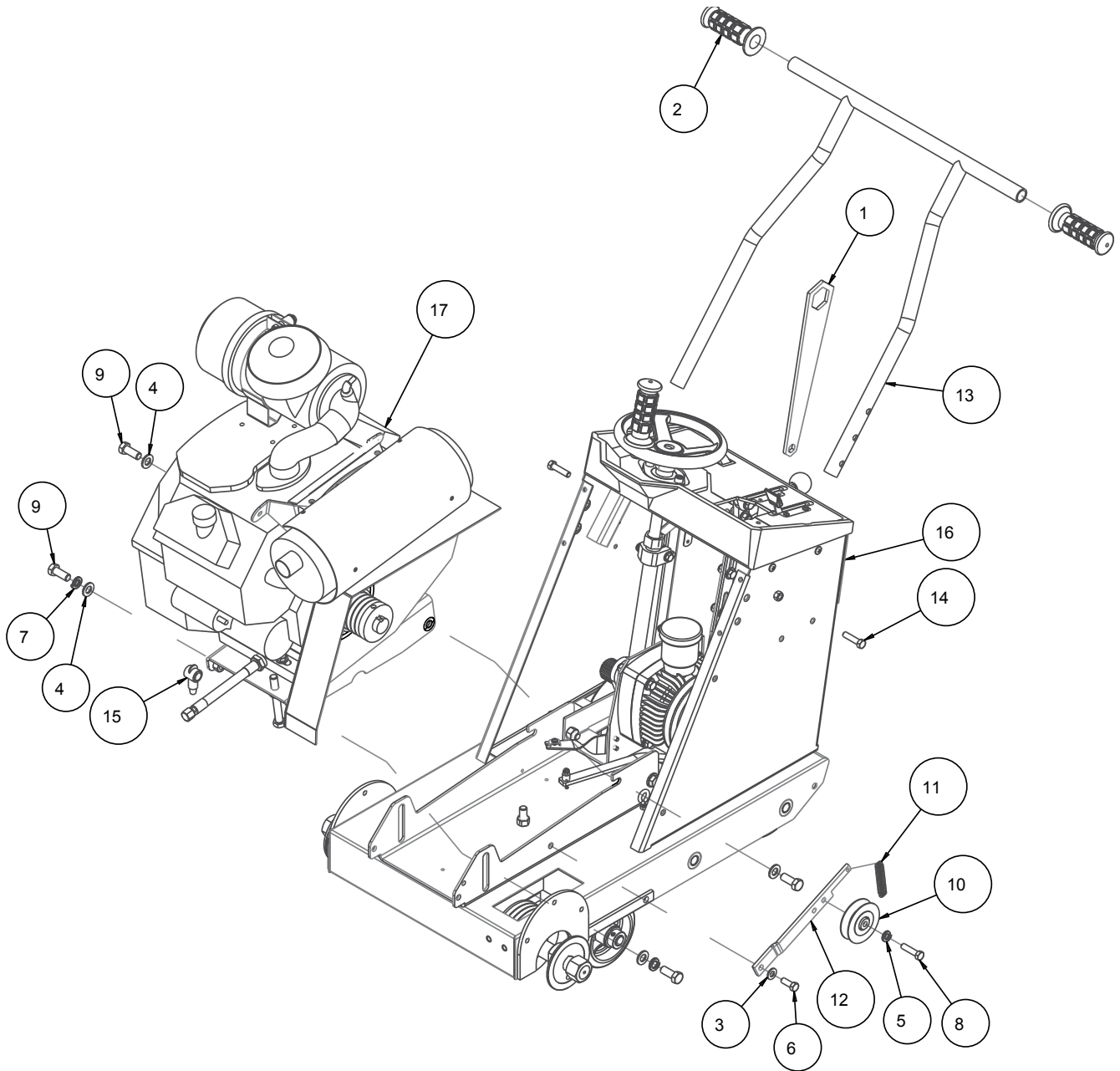


FIGURE 2 - MK-2424HSP CONCRETE SAW - P/N 170955

ITEM NO.	DESCRIPTION	PART #	QTY.
1	WRENCH, BOX END, 1-1/2 X 9/16	137976	1
2	GRIP, HANDLE, 1/0 ID	150842	2
3	WASHER, FLAT, SAE, 3/8	150923	1
4	WASHER, 1/2 SAE FLAT	150924	4
5	WASHER, LOCK, SPLIT, 3/8	150925	1
6	SCREW, HEX HD CAP, 3/8 - 16 X 1	152507	1
7	WASHER, 1/2 SPLIT LOCK	153524	2
8	SCREW, 3/8-16 X 1-1/2 HEX HEAD	153528	1
9	SCREW, 1/2-13 X 1-1/4 HEX HEAD CAP	153532	4
10	PULLEY, 1A30 X 1/2 BORE IDLER	153797	1
11	SPRING, 9/16 X 2.5 EXTENSION	153807	1
12	BRACKET, IDLER PULLEY	154244	1
13	WELDMENT, HANDLEBAR	156516	1
14	SCREW, HEX HEAD 3/8 - 16 X 1 - 1/2 LG.	156656	2
15	COVER, 8 - 4 AWG TERMINAL, RED	169355	1
16	ASSY, FRAME, LESS ENG, 24-H	170870-H	1
17	ASSY, ENGINE, GX690, 24SER	170961	1

FIGURE 3 - MK-2424HSP CONCRETE SAW - P/N 170955

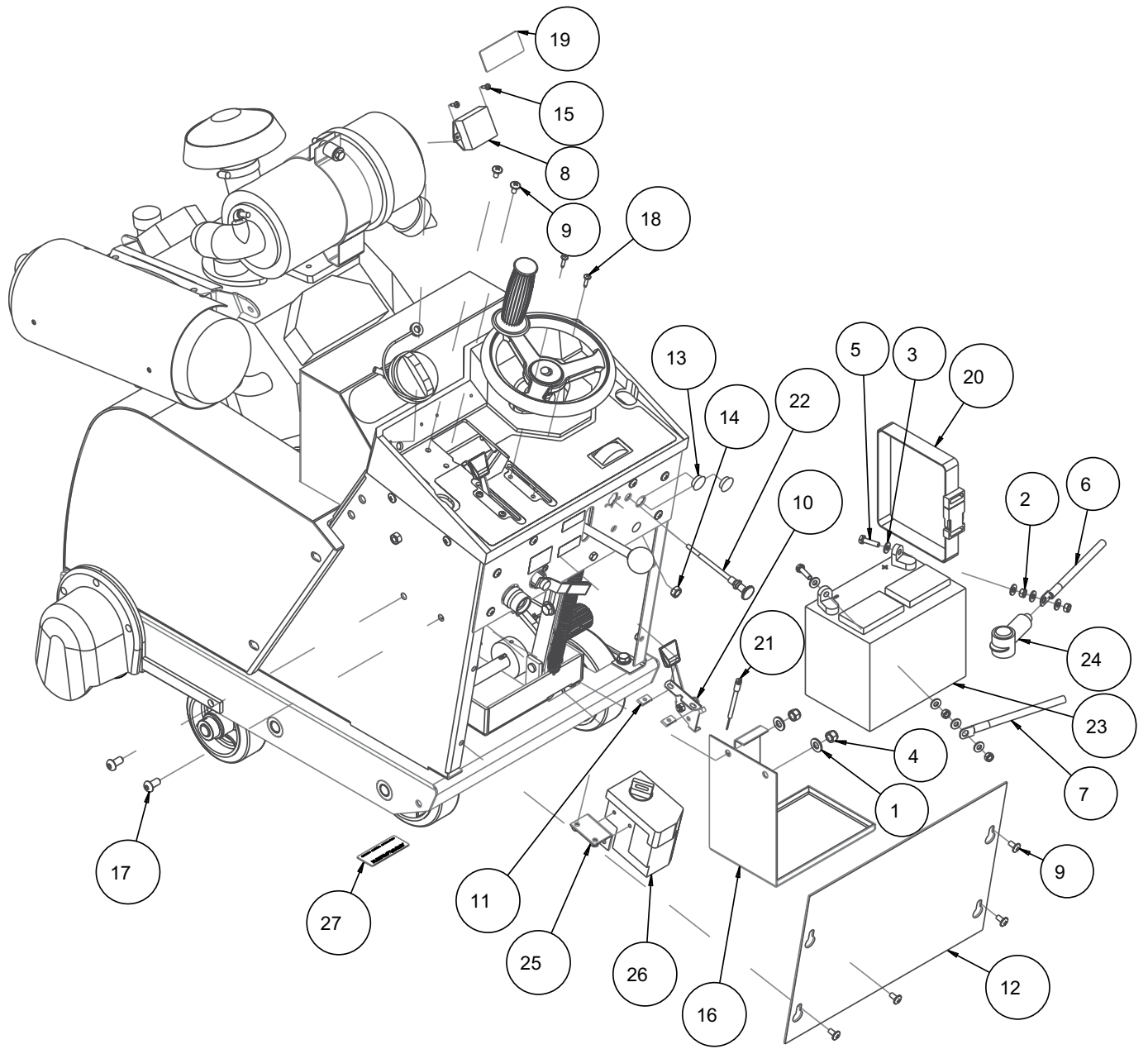


FIGURE 3 - MK-2424HSP CONCRETE SAW - P/N 170955

ITEM NO.	DESCRIPTION	PART #	QTY.
1	WASHER, 3/8 SAE FLAT	150923	2
2	NUT, HEX, 1/4 -20	151893	4
3	WASHER, FLAT, SAE, 1/4	151915	8
4	NUT, 3/8 -16 NYLOK HEX	152505	2
5	SCREW, HEX HD TAP, 1/4 - 20 X 1	152676	2
6	CABLE, 4GA X 48 RED BATTERY	153848	1
7	CABLE, 4GA X 24 BLACK BATTERY	153849	1
8	TACHOMETER/HOURMETER	153877	1
9	SCREW, 1/4 -20 X 1/2 TRUSS HEAD	153880	6
10	ASSY, THROTTLE CONTROL	155406	1
11	NUT, 10 -24 CLIP	155407	2
12	PANEL, TOWER LOWER	156505	1
13	PLUG, HOLE PLASTIC 3/4"	156615	2
14	NUT, 3/8 - 16 HEX	156623	1
15	SCREW, PAN HD SELF TAP 8 - 32 X 1/2	156632	2
16	BOX, BATTERY	156634	1
17	SCREW, BTN HD 3/8-16X 3/4 SOCK	156635	2
18	SCREW, PAN HD PHIL MS 10-24X3/4	156641	2
19	TAG, SERIAL NUMBER, BLANK	157500-RW	1
20	STRAP, NYLON, 1"	158094	1
21	CABLE, THROTTLE, 20HP HONDA (COMP)	158815	1
22	CABLE, CHOKE, HONDA (COMP)	158816	1
23	BATTERY, 12V, 35AH	162589	1
24	COVER, 1" BATTERY TERMINAL, RED	163940	1
25	BRACKET, SWITCH	169714	1
26	WIRING HARNESS, GX630/690	169715	1
27	TAG, EVAP, 20S, PARENT	169736-20S	1

FIGURE 4 - FRAME, LESS ENGINE - P/N 170870-H

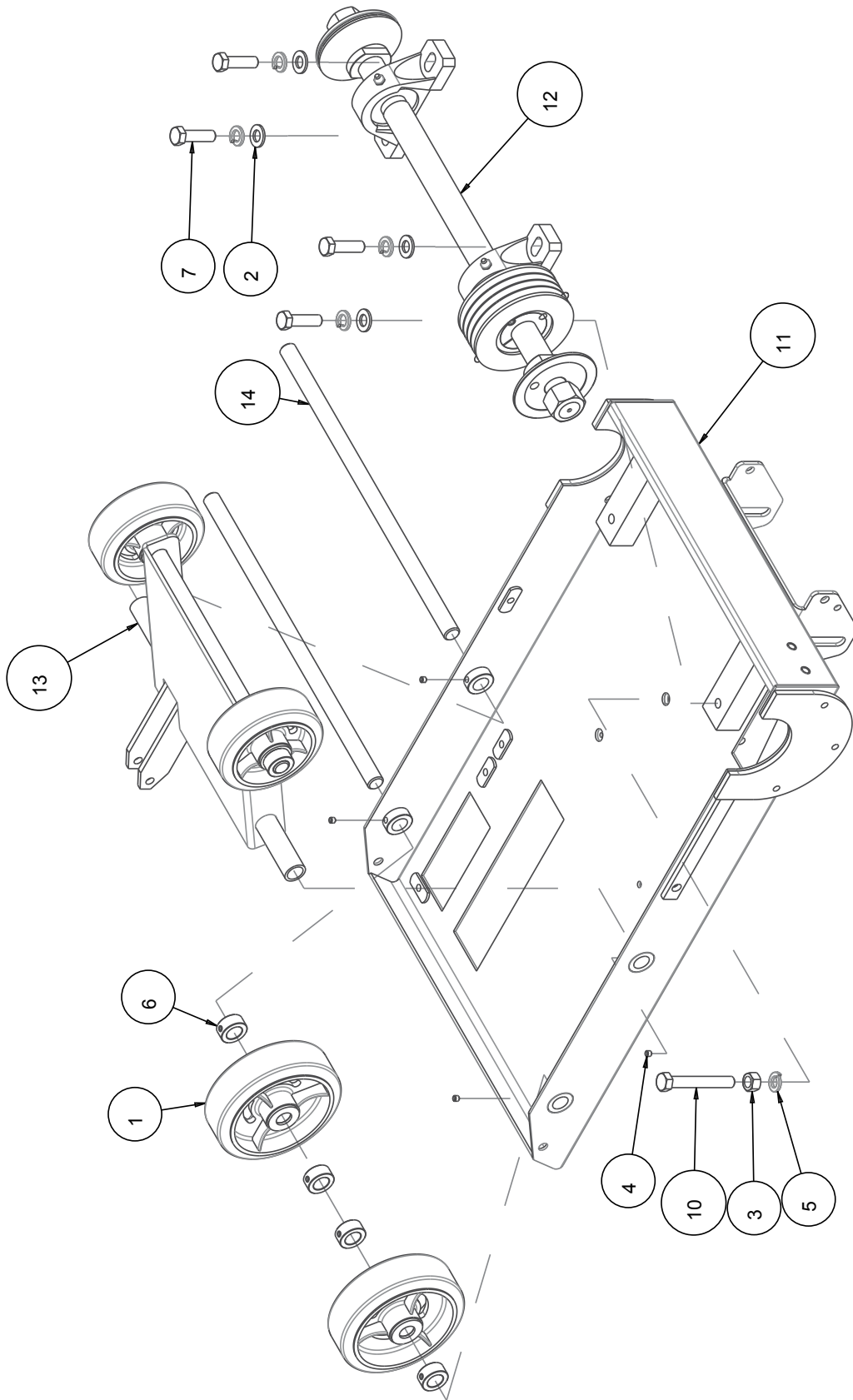


FIGURE 4 - FRAME, LESS ENGINE - P/N 170870-H

ITEM NO.	DESCRIPTION	PART #	QTY.
1	WHEEL, REAR CONCRETE SAW	138529	2
2	WASHER, 1/2 SAE FLAT	150924	4
3	NUT, 1/2-13 HEX	151282	1
4	SCREW, SET, CAP, PT, 5/16-18X1/4	152607	4
5	WASHER, 1/2 SPLIT LOCK	153524	5
6	COLLAR, SET, 3/4"	153814	4
7	SCREW, 1/2-13 X 1-3/4 HEX HEAD CAP	153853	4
8	ASSY, THROTTLE CONTROL	155406	1
9	ASSY, PIN CLEVIS 3/8 X 1 - /14	156611	1
10	SCREW, HEX HD, TAP, 1/2-13X3-1/2	158284	1
11	FRAME, WELDMENT, 24"	170788	1
12	ASSY, BLADE SHAFT, 2424	170864	1
13	ASSY, TRUCK	170867	1
14	AXLE, 3/4 X 18	170869	2

FIGURE 5 - FRAME, LESS ENGINE - P/N 170870-H

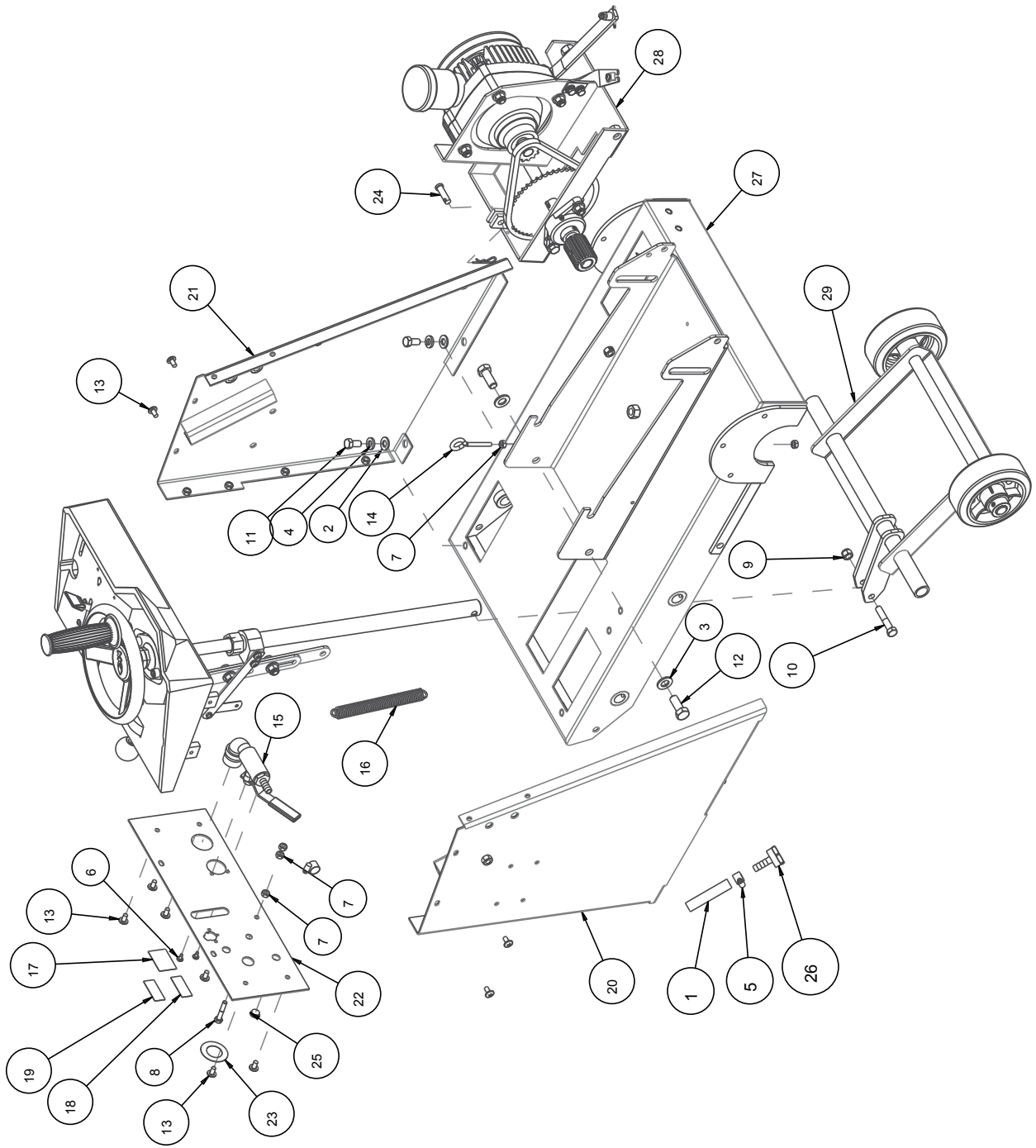


FIGURE 5 - FRAME, LESS ENGINE - P/N 170870-H

ITEM NO.	DESCRIPTION	PART #	QTY.
1	HOSE, 3/8 X 5/8 VINYL, 48"	150845	1
2	WASHER, FLAT, SAE, 3/8	150923	13
3	WASHER, 1/2 SAE FLAT	150924	2
4	WASHER, LOCK, SPLIT, 3/8	150925	4
5	CLAMP, HOSE, 5/8	151198	2
6	SCREW, PAN HD SELF TP10-24 X 3/8	151262	2
7	NUT, HEX, 1/4 - 20	151893	6
8	SCREW, HEX HEAD 1/4 - 20 X 1 - 1/2"	151914	1
9	NUT, 3/8 - 16 NYLK HEX	152505	6
10	SCREW, HEX HD, CAP, 3/8 - 16 X 2	153485	2
11	SCREW, HEX, 3/8 - 16 X 3/4	153527	4
12	SCREW, 1/2 - 13 X 1 - 1/4 HEX HEAD CAP	153532	2
13	SCREW, 1/4 - 20 X 1/2 TRUSS HEAD	153880	10
14	EYEBOLT, 1/4 - 20 X 2	153887	1
15	ASSY, WATER VALVE	153888	1
16	SPRING, EXTENSION, 3/4OD X 6.5L X .091 WIRE	153957	1
17	LABEL, WATER SHUT OFF/ON	154404	1
18	LABEL, ENGAGE	154405	1
19	LABEL, DISENGAGE	154406	1
20	PANEL, SIDE COV R HND	156500	1
21	PANEL, SIDE COV L HND	156501	1
22	PANEL, TOWER UPPER	156504	1
23	LABEL, ENGINE STOP	156601	1
24	ASSY, PIN CLEVIS 3/8 X 1-1/4	156611	1
25	PLUG, 1/2 FLUSH HEAD BUTTON	156779	1
26	FITTING, 3/4 X 11.5 FNH X 3/8 BARB	163991	1
27	FRAME, WELDMENT, 24"	170788	1
28	ASSY, TRANSMISSION	170862	1
29	ASSY, TRUCK	170867	1

FIGURE 6 - FRAME, LESS ENGINE - P/N 170870-H

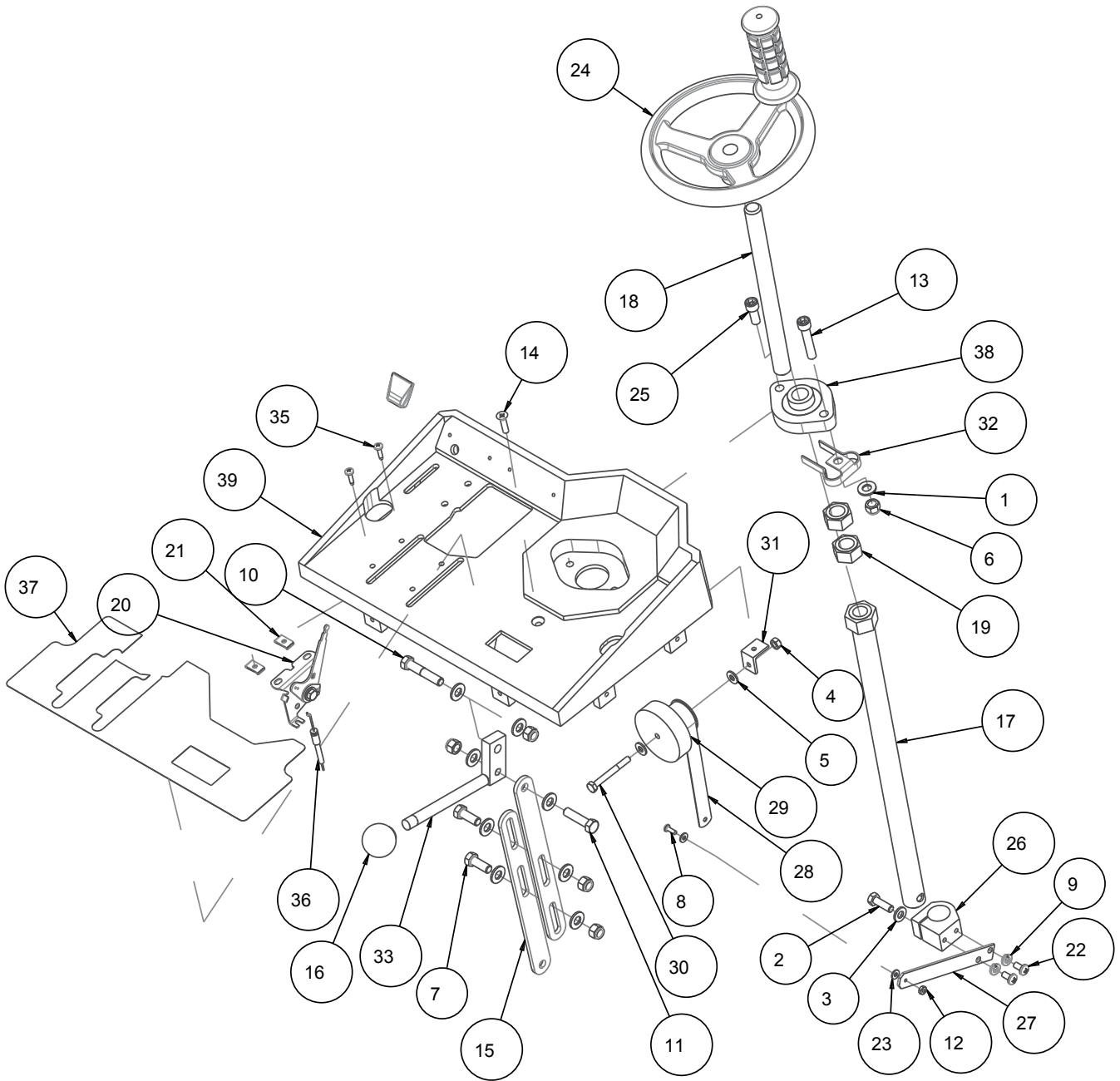


FIGURE 6 - FRAME, LESS ENGINE - P/N 170870-H

ITEM NO.	DESCRIPTION	PART #.	QTY.
1	WASHER, FLAT, SAE, 3/8	150923	9
2	SCREW, HEX HD, 5/16 - 18 X 1	151743	1
3	WASHER, FLAT, SAE, 5/16	151754	1
4	NUT, HEX, 1/4 - 20	151893	1
5	WASHER, 1/4 SAE FLAT	151915	2
6	NUT, 3/8 -16 NYLOK HEX	152505	5
7	SCREW, HEX HD CAP, 3/8 - 16 X 1	152507	2
8	SCREW, RND HD, #8 - 32 X 1/2	152517	1
9	WASHER, 1/4 SPLIT LOCK	152591	2
10	SCREW, HEX HD, 3/8 - 16 X 2	153485	1
11	SCREW, 3/8 -16 X 1-1/2 HEX HEAD	153528	1
12	NUT, HEX, 8 -32	153549	1
13	SCREW, SOC HD, CAP, 3/8 - 16 X2	153643	1
14	SCREW, FLAT HD, SOC, 1/4 -20 X 1"	153894	1
15	ARM, DRIVE ADJUSTMENT	154242	2
16	KNOB, 1/2 - 20 FEM BALL	154486	1
17	LINKAGE, DEPTH FEED 1600/9000	155049	1
18	STUD, 3/4 - 10 X 10"	155062	1
19	NUT, 3/4 - 10 HEX	155063	2
20	ASSY, THROTTLE CONTROL	155406	1
21	NUT, 10 -24 CLIP	155407	2
22	SCREW, PAN HD, CAP, 14 - 20 X 1/2	155452	2
23	WASHER, FLAT, SAE, #8	155454	2
24	ASSY, CRANK WHEEL, 3/4 - 10	155457	1
25	SCREW, SOCKET HEAD CAP 3/8 - 16 X 1	156602	1
26	CLAMP, DEPTH INDICATOR	156603	1
27	ARM, DEPTH INDICATOR	156604	1
28	SPRING, DEPTH GAUGE	156605	1
29	SPOOL, 2.75 DIA DEPTH INDICATOR	156606	1
30	SCREW, HEX HD, CAP, 1/4 - 20 X 2 - 1/4	156607	1
31	BRACKET, DEPTH INDICATOR	156608	1
32	SPRING, DETENT	156609	1
33	HANDLE, ENGAGE	156610	1
34	ASSY, PIN CLEVIS 3/8 X 1 - 1/4	156611	1
35	SCREW, PAN HD PHIL MS 10 - 24 X 3/4	156641	2
36	CABLE, TRANSMIS 20 -SERIES, COMP	156643	1
37	LABEL, CONTROL PANEL	156749	1
38	BEARING, FLANGE, 3/4 ID, FD204	165971	1
39	CASTING, CONTROL PANEL - COMP	169712	1

FIGURE 7 - TRUCK - P/N 170867

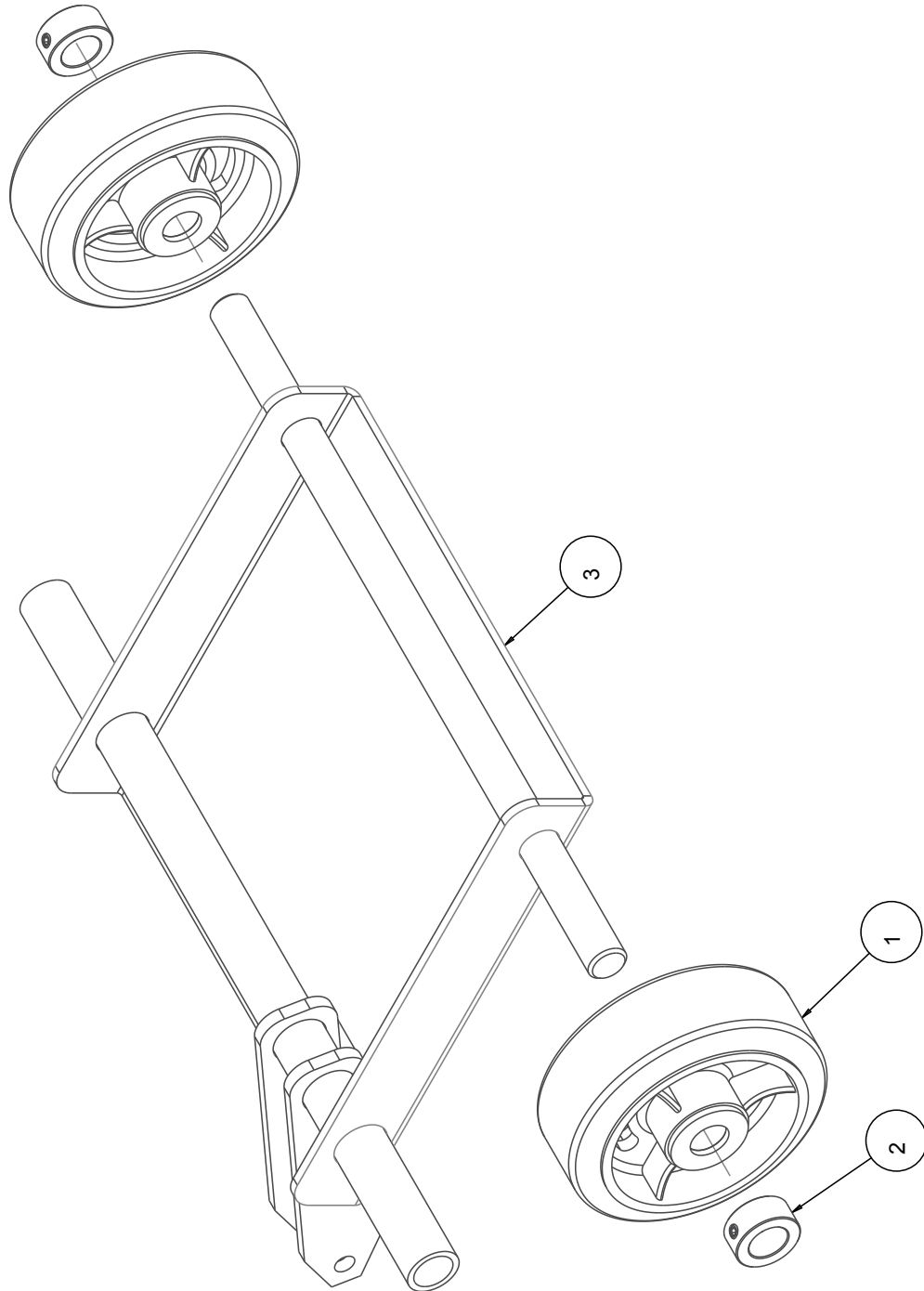


FIGURE 7 - TRUCK - P/N 170867

ITEM NO.	DESCRIPTION	PART #	QTY.
1	WHEEL, FRONT5"X2"W	138537	2
2	COLLAR, SET, 3/4"	153814	2
3	TRUCK	170868	1

FIGURE 8 - ENGINE, HONDA GX690 - P/N 170961

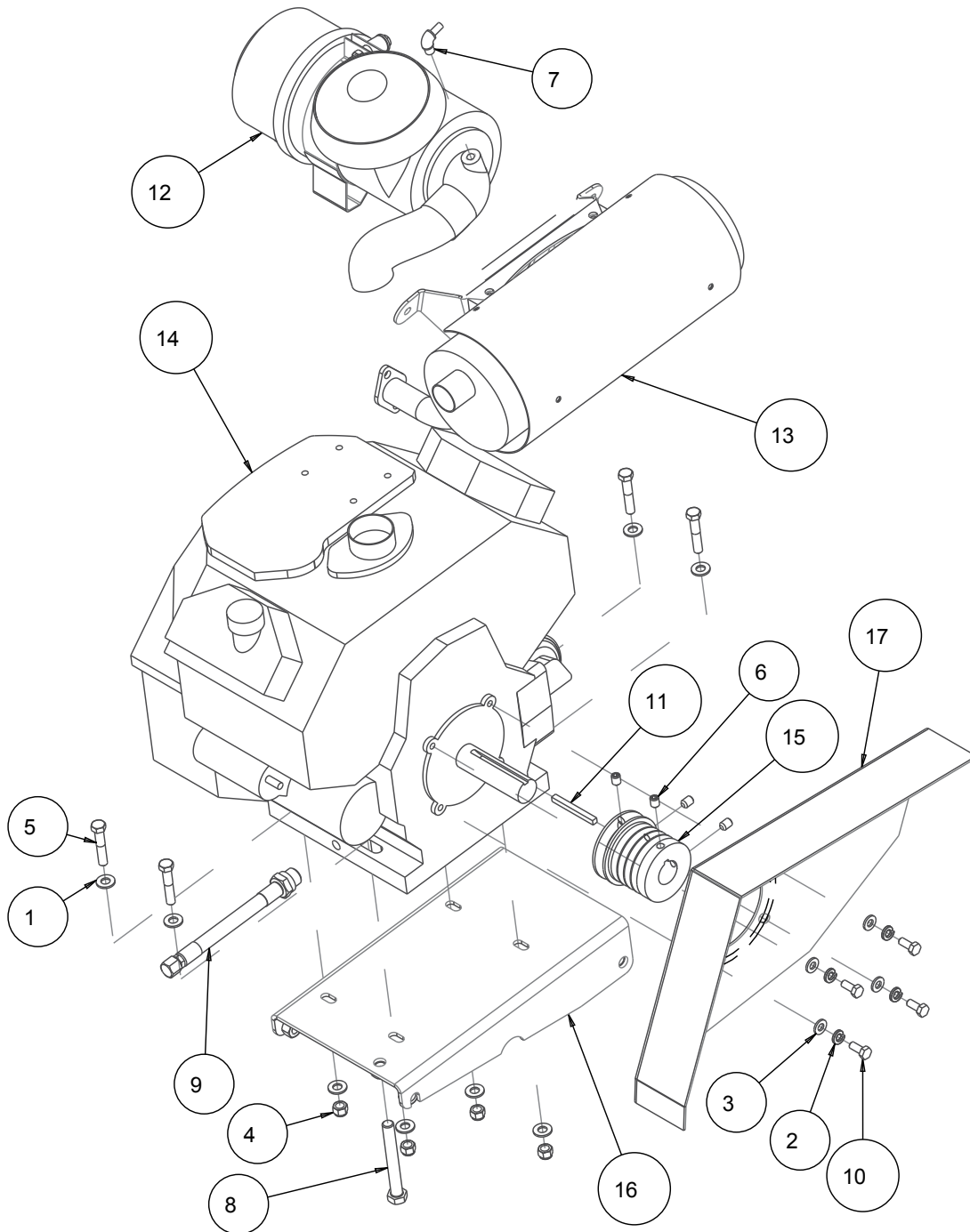


FIGURE 8 - ENGINE, HONDA GX690 - P/N 170961

ITEM NO.	DESCRIPTION	PART #	QTY.
1	WASHER, FLAT, SAE, 3/8	150923	8
2	WASHER, LOCK, SPLIT, 5/16	151747	4
3	WASHER, FLAT, SAE, 5/16	151754	4
4	NUT, 3/8 - 16 NYLOK HEX	152505	4
5	SCREW, HEX HD, 3/8 - 16 X 2	153485	4
6	SCREW, SET, SOC, CUPT, 3/8-16X1/2	153710	4
7	ELBOW, 1/8 MNPT X 1/4 BARB 90DEG	154652	1
8	SCREW, HEX, HD, TAP, 1/2-13X4	156626	1
9	HOSE, OIL DRAIN, M20	157577-04	1
10	SCREW, HEX HD, CAP, 5/16-24X3/4	165617	4
11	KEY, SQUARE, 1/4X2-1/2	165779	1
12	ASSY, 7" AIR CLEANER	169593	1
13	MUFFLER, HONDA 20HP 621600	169594	1
14	ENGINE, HONDA GX690	169716	1
15	PULLEY, 4/3V28/A32 X 1-1/8 BORE	170876	1
16	MOUNT, ENGINE	170877	1
17	GUARD, BELT, INNER, 24SERIES	170953	1

FIGURE 9 - MK-2025SSP LPG TRANSMISSION P/N 169711

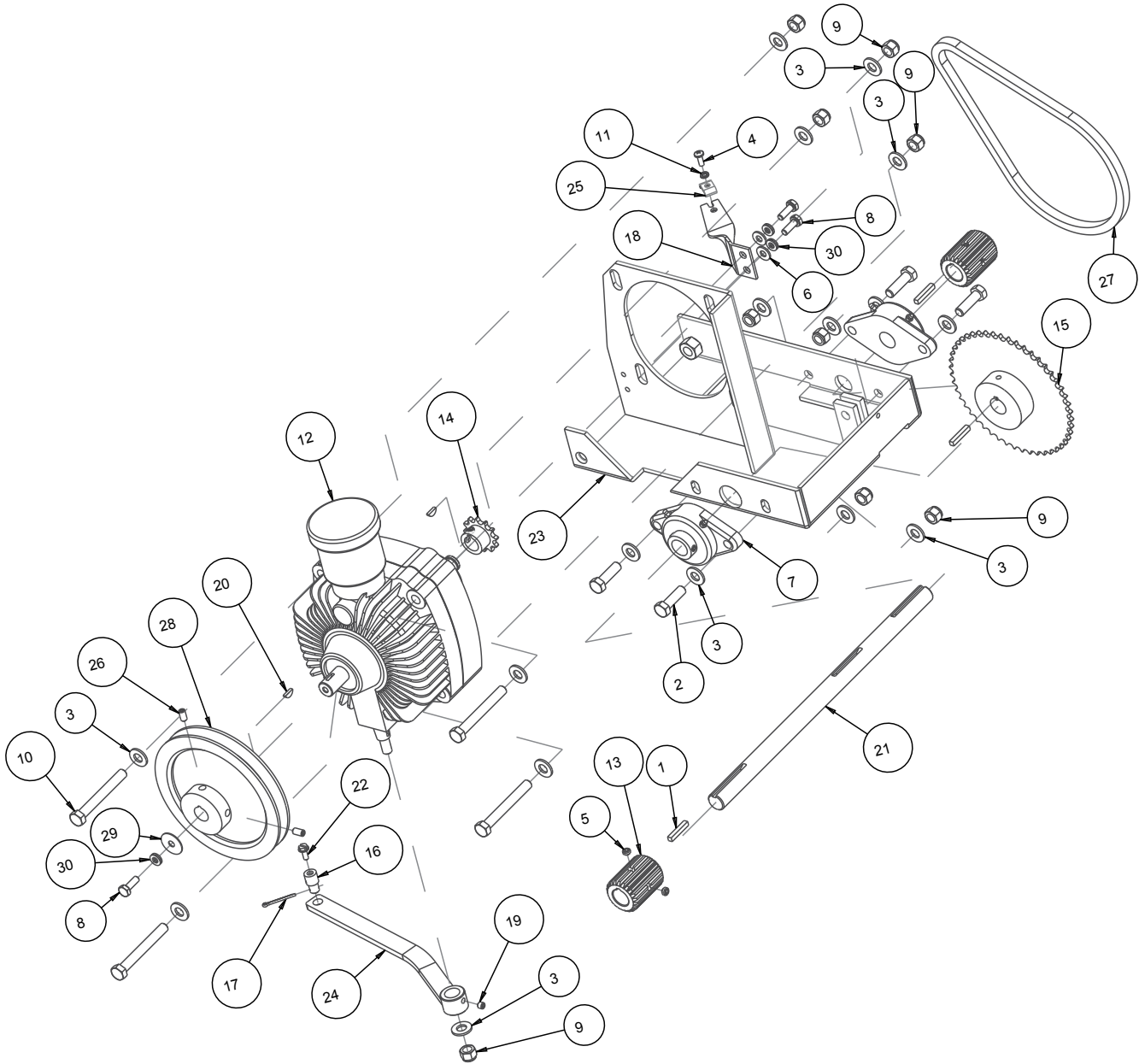
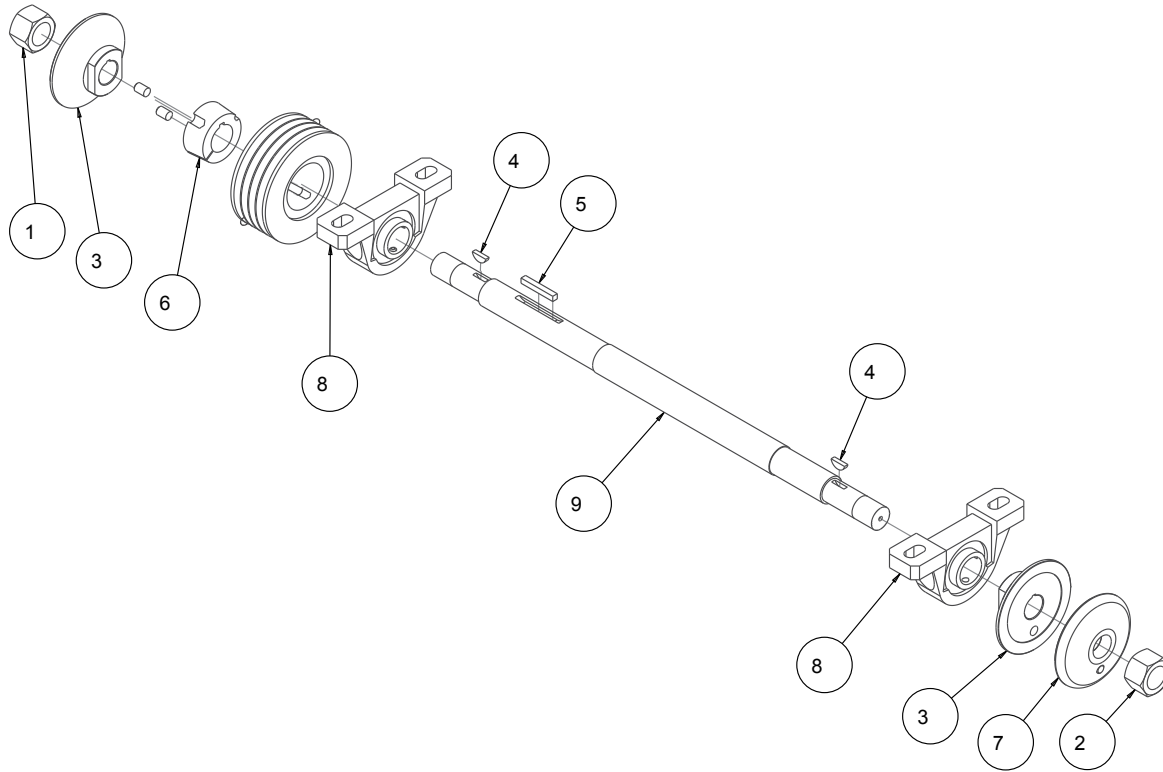


FIGURE 9 - MK-2025SSP LPG TRANSMISSION P/N 169711

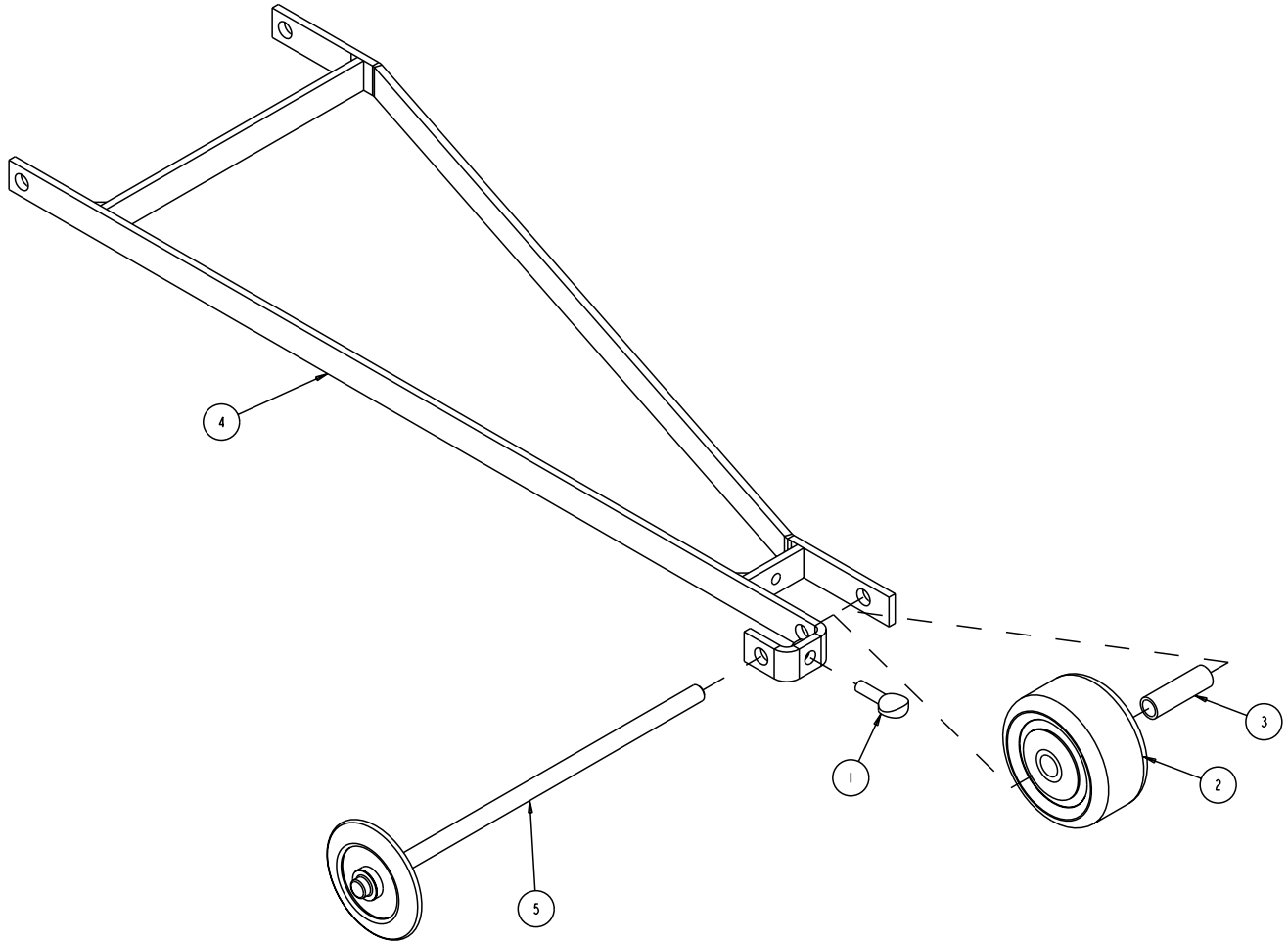
ITEM NO.	DESCRIPTION	PART #	QTY.
1	KEY, 3/16 SQ X 1 - 1/8	150344	3
2	SCREW, 3/8 - 16 X 1 - 1/4 HEX HEAD CAP	150774	4
3	WASHER, FLAT, SAE, 3/8	150923	17
4	SCREW, PAN HD, 10 - 32 X 1/2	151052	1
5	SCREW, SET, CUP PT, 5/16 - 18 X 3/16	151167	4
6	WASHER, 1/4 SAE FLAT	151915	2
7	BEARING, Ø 3/4 FLANGE	152025	2
8	SCREW, HEX HD, 1/4 - 20 X 3/4	152370	2
9	NUT, 3/8 - 16 NYLOK HEX	152505	9
10	SCREW, 3/8 - 16 X 3 HEX HEAD CAP	153113	4
11	WASHER, #10 SPLIT LOCK	153684	1
12	PUMP, TRANSMISSION	153783	1
13	SPLINE, 1 - 1/2 X 2	153786	2
14	SPROCKET, #35-B12 X 17 MM BORE	153811	1
15	SPROCKET, #35-B12 X 17 MM BORE	153812	1
16	PIN, WIRE STOP	153842	1
17	PIN, COTTER 1/8 X 1 - 1/2	153860	1
18	BRACKET, TRANS CONTROL	153862	1
19	SCREW, SET CNE PT 1/4 - 20 X 1/4	153864	1
20	KEY, WOODRUFF, 1/8 X 1/2	153865	2
21	SHAFT, FRICTION DRIVE	153891	1
22	SCREW, HEX HD FL 10 - 24X 5/16	154172	1
23	MOUNT, TRANS	154230	1
24	LEVER, TRANS CONTROL	154238	1
25	CLAMP, CABLE	154383	1
26	SCREW, 1/4 - 20 X 1/2 SOCKET HEAD SET	155804	2
27	CHAIN, ROLLER	156309	1
28	PULLEY, A6.2 X 17 MM BORE, OFFSET	164565	1
29	WASHER, FENDER, 1/4 X 1	169049	1
30	WASHER, CHROMATE, 1/4 PAIR	169693	3

FIGURE 10 - BLADE SHAFT - P/N 170864



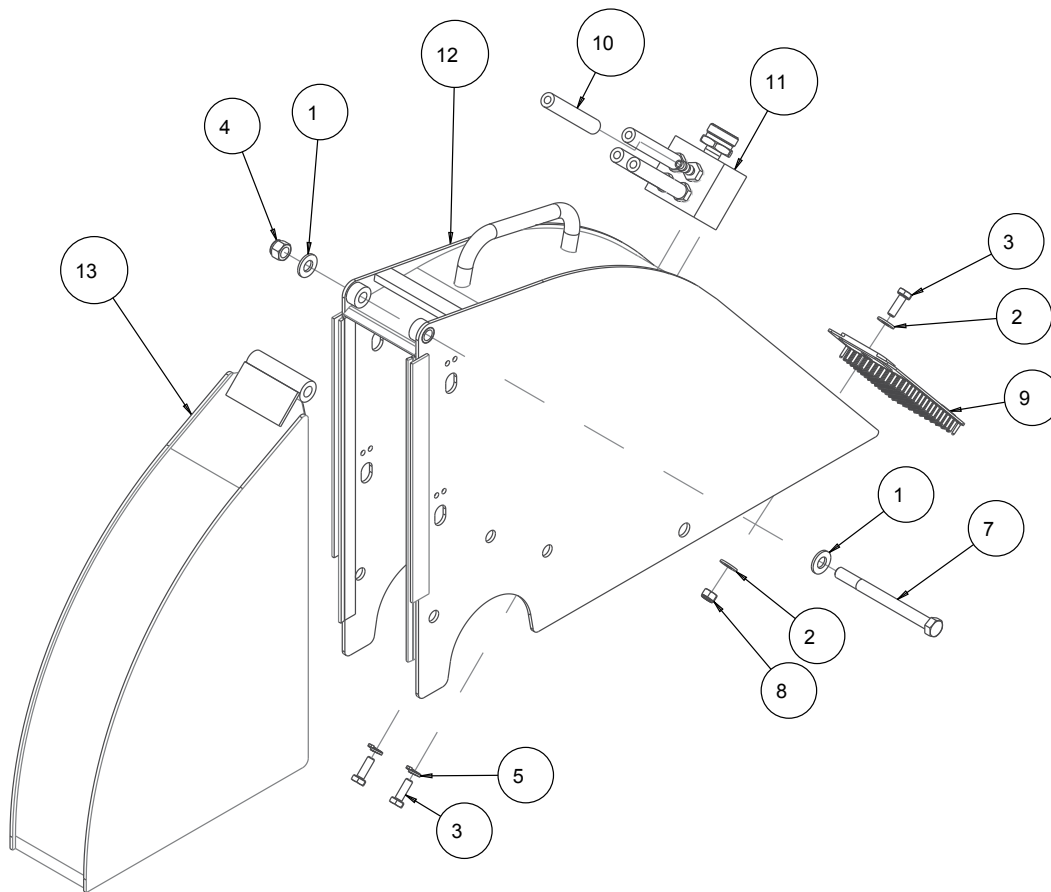
ITEM NO.	DESCRIPTION	PART OR IDENTIFYING NO.	QTY. REQ.
1	NUT, 1 - 14 RIGHT HAND	138693	1
2	NUT, 1 - 14 LEFT HAND	138701	1
3	FLANGE, INNER	150731	2
4	KEY, 3/16 X 3/4 WOODRUFF	150794	2
5	KEY, SQUARE, 1/4 X 1 - 3/4	150796	1
6	BUSHING, TPR-LOCK 1610X1 - 3/16"	155011	1
7	ASSY, OUTER FLANGE, 4"	155451	1
8	BEARING, 1 - 3/16 ID PILLOW BLOCK	155622	2
9	SHAFT, 1 3/16 BLADE	156599	1
10	PULLEY, 4/3VX/4/75 X 1615TB	170866	1

FIGURE 11 - ASSY, POINTER - P/N 166465



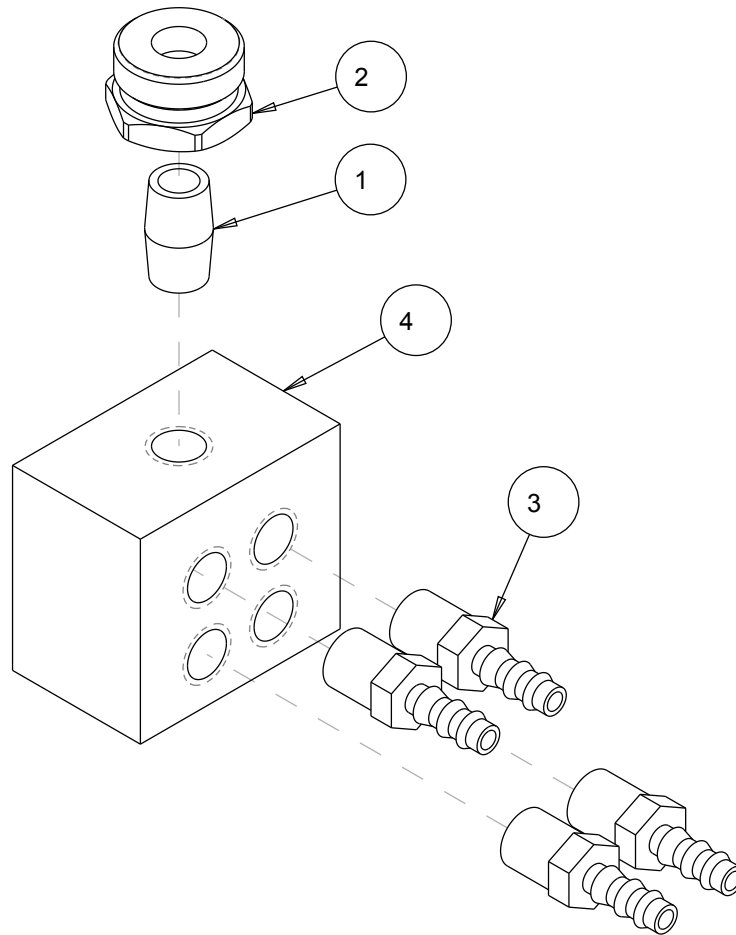
ITEM NO.	DESCRIPTION	PART OR IDENTIFYING NO.	QTY. REQ.
1	SCREW, THUMB 1/4 - 20 X 3/4	150991	1
2	WHEEL, POINTER, 3"	155066	1
3	BUSHING, 3/8ID X 1 - 5/8L	155153	1
4	POINTER ARM, MK-1600	156544	1
5	ASSY, POINTER WHEEL	165238	1

FIGURE 12 - BLADE GUARD - P/N 170830-24



ITEM NO.	DESCRIPTION	PART #	QTY.
1	WASHER, FLAT, SAE, 3/8	150923	2
2	WASHER, FLAT, SAE, 1/4	151915	2
3	SCREW, HEX HD, 1/4-20X3/4	152370	3
4	NUT, HEX, NYLK, 3/8-16	152505	1
5	WASHER, LOCK, SPLIT, 1/4	152591	2
6	TIE, NYLON CABLE, 1/8 X 4, BLACK	158528	4
7	SCREW, HEX HD, 3/8-16X4-1/4	158604	1
8	NUT, HEX, NYLK, 1/4-20	159857	1
9	GUARD, SPLASH	160310	1
10	HOSE, VINYL, 1/4 X 1/2 (24\"/>		

FIGURE 13 - WATER MANIFOLD - P/N 167625



ITEM NO.	DESCRIPTION	PART #	QTY.
1	NIPPLE, 1/4 NPT X CLOSE, BRASS	159905	1
2	FITTING, 3/4X11.5 MNH X 1/4 FNPT	163992	1
3	FITTING, PUSH ON HOSE 1/4 X 1/4 MALE	165183	4
4	MANIFOLD, WATER, 4 TUBE	167623	1

FIGURE 14 - ASSY WATER PUMP KIT P/N 172896 (OPTIONAL)

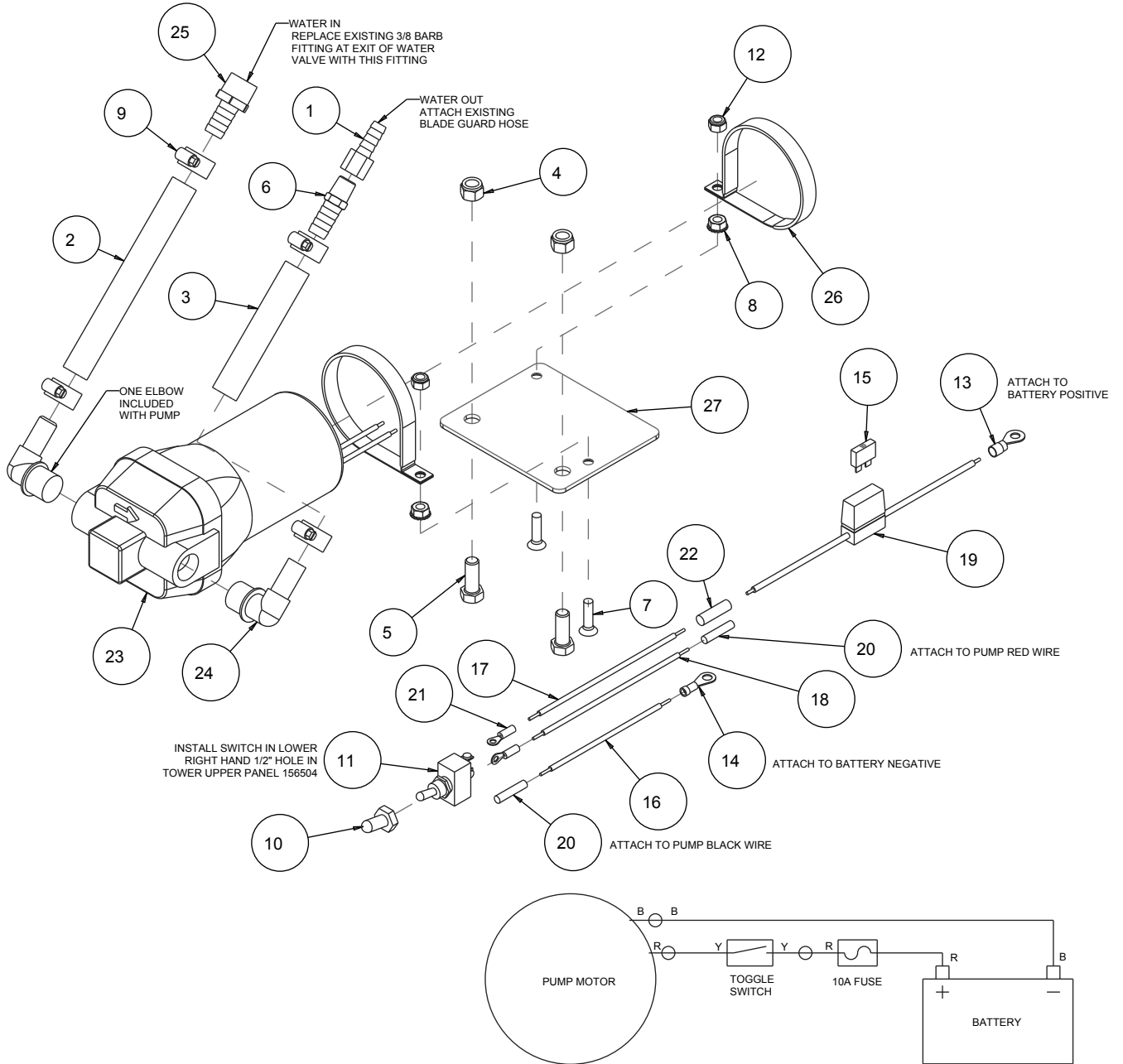


FIGURE 14 - ASSY WATER PUMP KIT P/N 172896 (OPTIONAL)

ITEM NO.	DESCRIPTION	PART #	QTY.
1	FITTING, 1/4 FNPT X 3/8 BARB	152077	1
2	HOSE, VINYL, 1/2 X 3/4 (26")	152410	1
3	HOSE, VINYL, 1/2 X 3/4 (4")	152410	1
4	NUT, HEX, NYLK, 3/8-16	152505	2
5	SCREW, HEX HD CAP, 3/8-16 X 1	152507	2
6	FITTING, 1/4 MNPT X 1/2 BARB	152704	1
7	SCREW, FLAT HD. SOC. 1/4-20 X 1"	153894	2
8	NUT, HEX, TW, 1/4-20	153941	2
9	CLAMP, HOSE, 7/8	154173	4
10	COVER, SWITCH	154301	1
11	SWITCH, TOGGLE 15A/120V 1 PST	156649	1
12	NUT, HEX, NYLK, 1/4-20	159857	2
13	TERMINAL, 12-10 X 1/4 RING PI	152471	1
14	TERMINAL, 16-14 X 1/4 RING PI	162538	1
15	FUSE, 10A ATC BLADE	164597	1
16	WIRE, 14GA BLACK AWN, 24"	168519	1
17	WIRE, 1015, 14GA YELLOW, 26"	168521	1
18	WIRE, 1015, 14GA YELLOW, 52"	168521	1
19	FUSEHOLDER, INLINE, ATC	168973	1
20	TERMINAL, 16-14 BUTT SPLICE	169436	2
21	TERMINAL, 16-14 X #8 RING PI	169440	2
22	TERMINAL, 12-10 BUTT SPLICE	169441	1
23	PUMP, WATER, DIAPHRAGM, 12VDC	170389	1
24	ELBOW, FJ PORT X 1/2 BARB	170390	1
25	FITTING, 1/2 MNPT X 1/2 BARB	170396	1
26	CLAMP, CUSHION LOOP, 3	170398	2
27	PLATE, FLOJET WP, 4000	170521	1
28	SHEET, INSTRUCTION, 20/24 SERIES WATER PUMP KIT	172896-IS	1