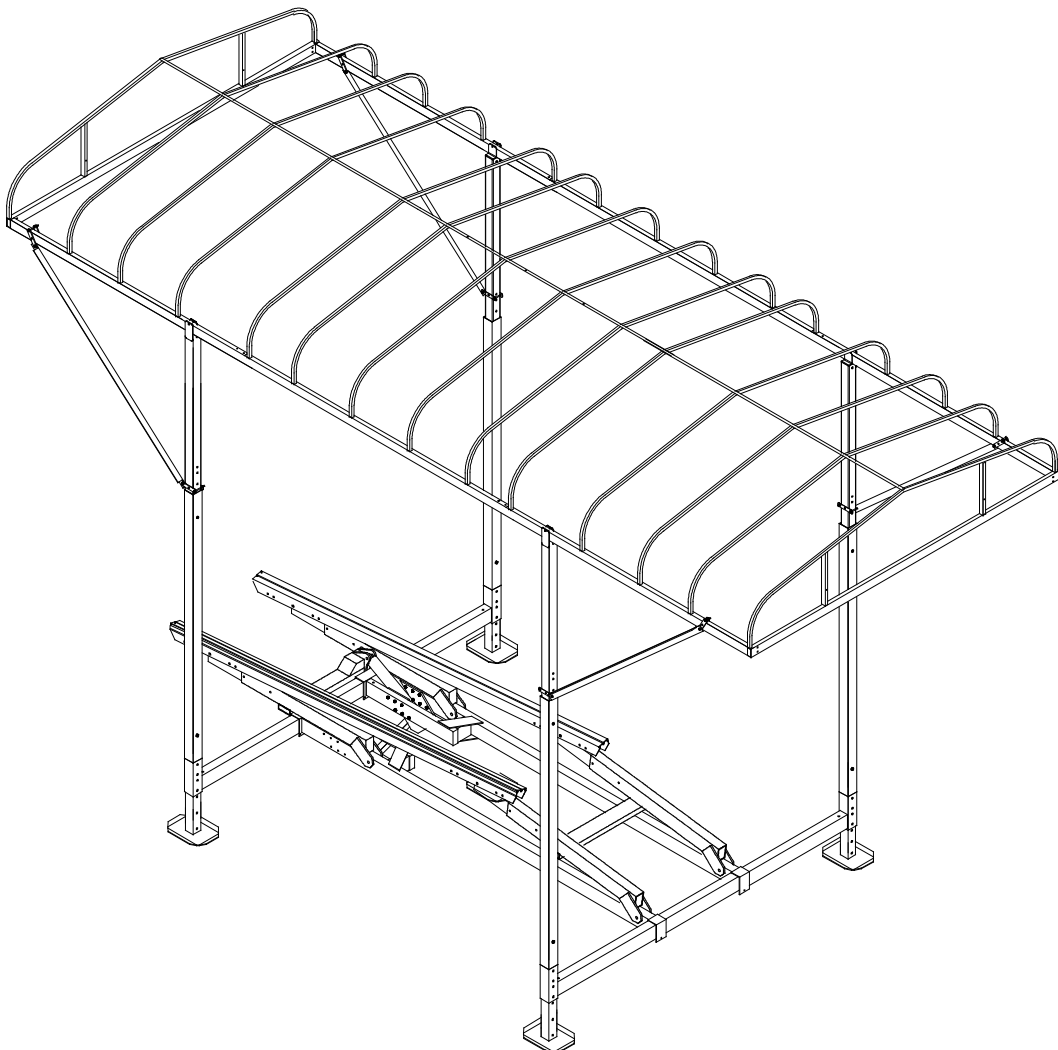


RGC[®]

REIMANN & GEORGER CORP.
HOISTING - MARINE - CONSTRUCTION



REIMANN & GEORGER CORPORATION
MARINE PRODUCTS
P/N 6114157

BUFFALO, NY
04/11/18

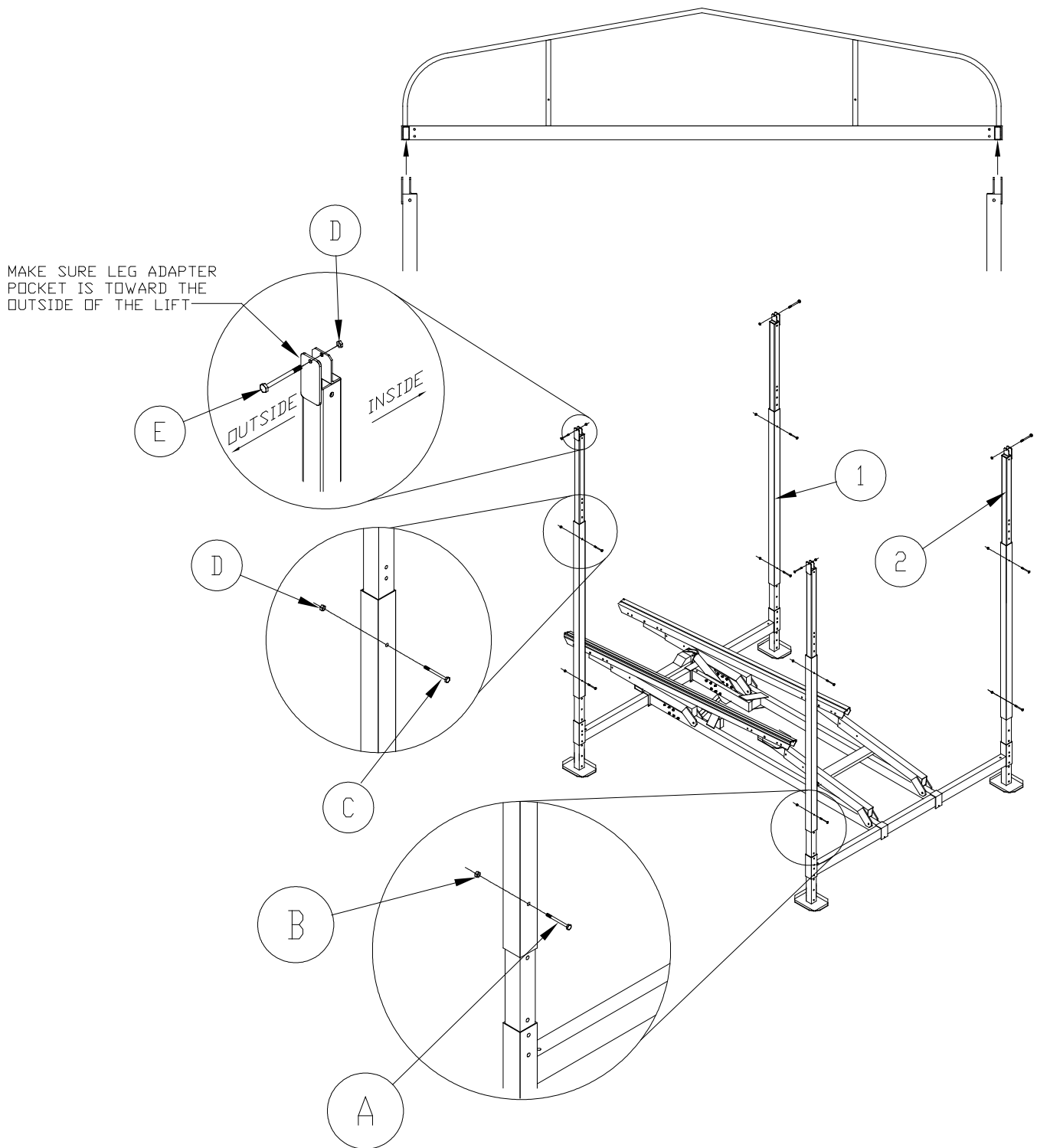


Figure 2 Canopy support tubes and ext. legs

4. Once the support tubes and extension legs are secure, the canopy can be put into place. The canopy stringers slide into the support tubes and fastened in place with a bolt across the top of the support tube. When mounting the canopy onto the extension legs, the canopy support diagonals are clamped onto either the support tube or the extension leg, depending on the orientation of the canopy to the lift. They are clamped in place using two 3-hole plates, two bolts, and two locknuts.

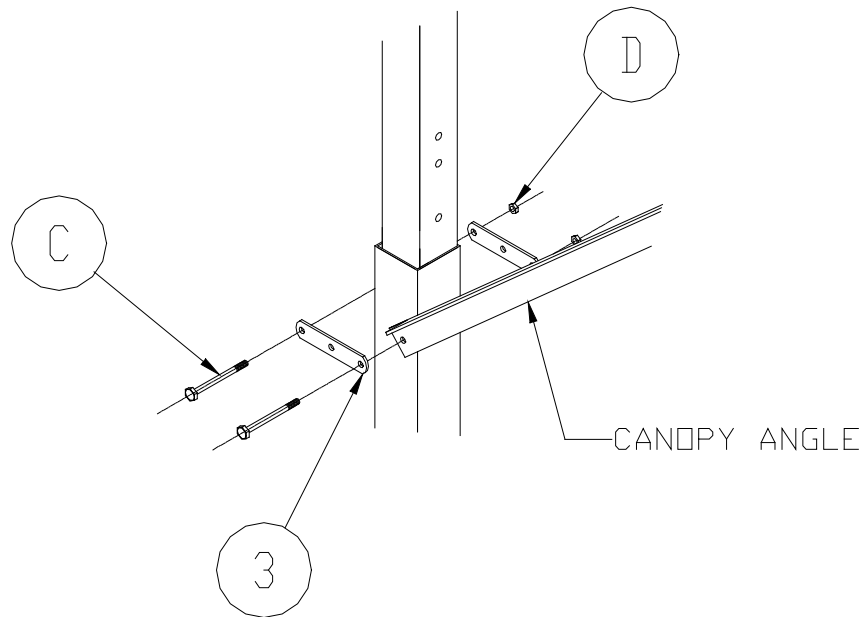


Figure 3 Diagonal bracing clamped to support tube/ext. leg

PARTS LISTS

4107043 HL CANOPY EXTENSION LEG KIT 4FT

REF.	PART #	DESCRIPTION	QTY
1	4107667	HL CANOPY EXT LEG SUPPORT TUBE	4
2	4107618	HL CANOPY EXT LEG 4FT	4
	4107321	HL CANOPY EXT LEG BAG OF BOLTS	1
		CONSISTS OF:	
3	9703593	3-HOLE PLATE	8
A	5896293	HHCS 1/2-13 X 4-1/2 SS	8
B	5897018	NUT HEX NYLOCK 1/2-13 SS/WAX	8
C	5896263	HHCS 3/8-16 X 5 SS	8
D	5897016	NUT HEX NYLOCK 3/8-16 SS/WAX	12
E	5896253	HHCS 3/8-16 X 2-1/2 SS	4

4107044 HL CANOPY EXTENSION LEG KIT 6FT

REF.	PART #	DESCRIPTION	QTY
1	4107667	HL CANOPY EXT LEG SUPPORT TUBE	4
2	4107620	HL CANOPY EXT LEG 6FT	4
	4107321	HL CANOPY EXT LEG BAG OF BOLTS	1
		CONSISTS OF:	
3	9703593	3-HOLE PLATE (supplied with canopy)	8
A	5896293	HHCS 1/2-13 X 4-1/2 SS	8
B	5897018	NUT HEX NYLOCK 1/2-13 SS/WAX	8
C	5896263	HHCS 3/8-16 X 5 SS	8
D	5897016	NUT HEX NYLOCK 3/8-16 SS/WAX	12
E	5896253	HHCS 3/8-16 X 2-1/2 SS	4

4107045 HL CANOPY EXTENSION LEG KIT 8FT

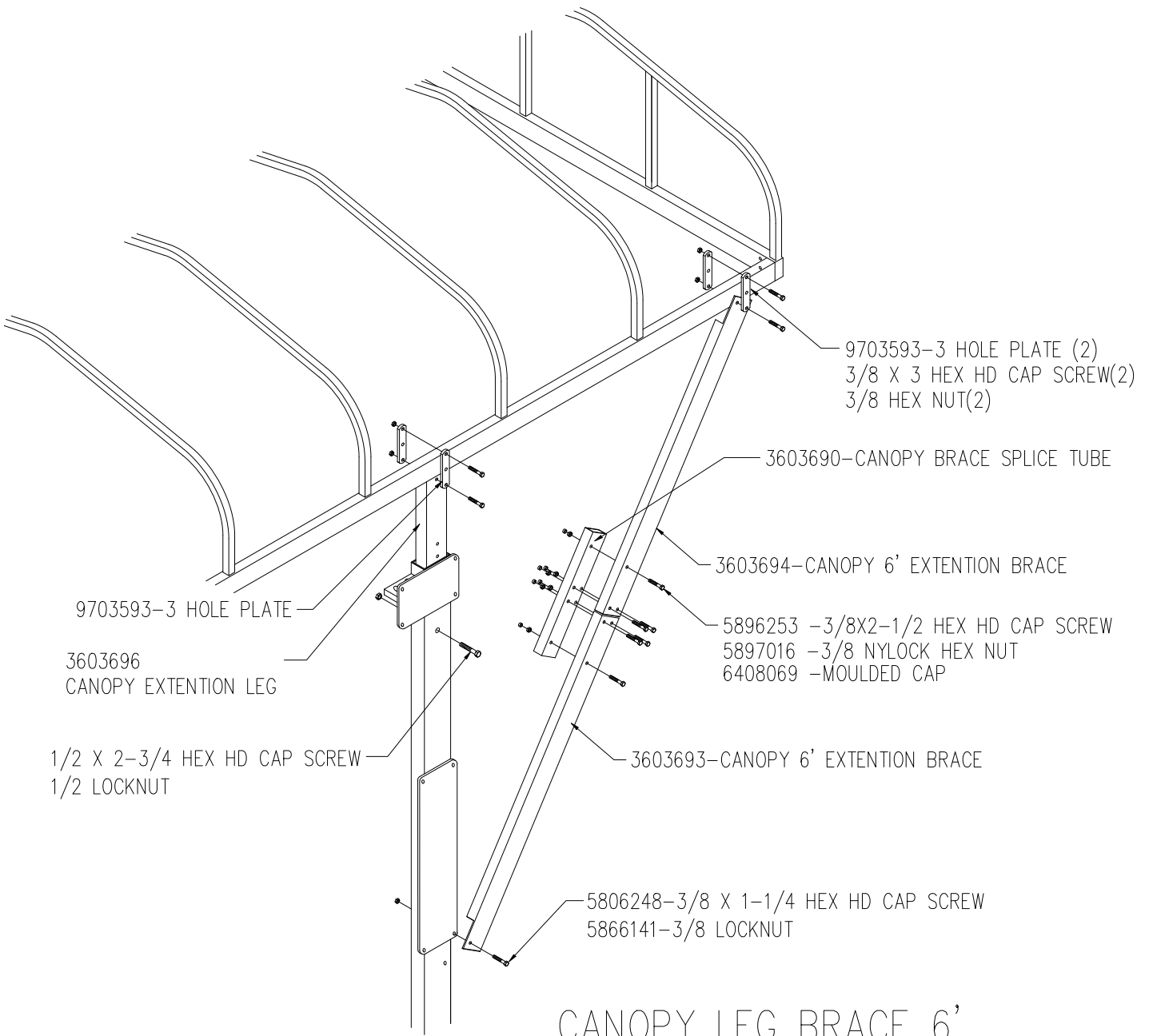
REF.	PART #	DESCRIPTION	QTY
1	4107667	HL CANOPY EXT LEG SUPPORT TUBE	4
2	4107624	HL CANOPY EXT LEG 8FT	4
	4107321	HL CANOPY EXT LEG BAG OF BOLTS	1
		CONSISTS OF:	
3	9703593	3-HOLE PLATE (supplied with canopy)	8
A	5896293	HHCS 1/2-13 X 4-1/2 SS	8
B	5897018	NUT HEX NYLOCK 1/2-13 SS/WAX	8
C	5896263	HHCS 3/8-16 X 5 SS	8
D	5897016	NUT HEX NYLOCK 3/8-16 SS/WAX	12
E	5896253	HHCS 3/8-16 X 2-1/2 SS	4



WARNING:

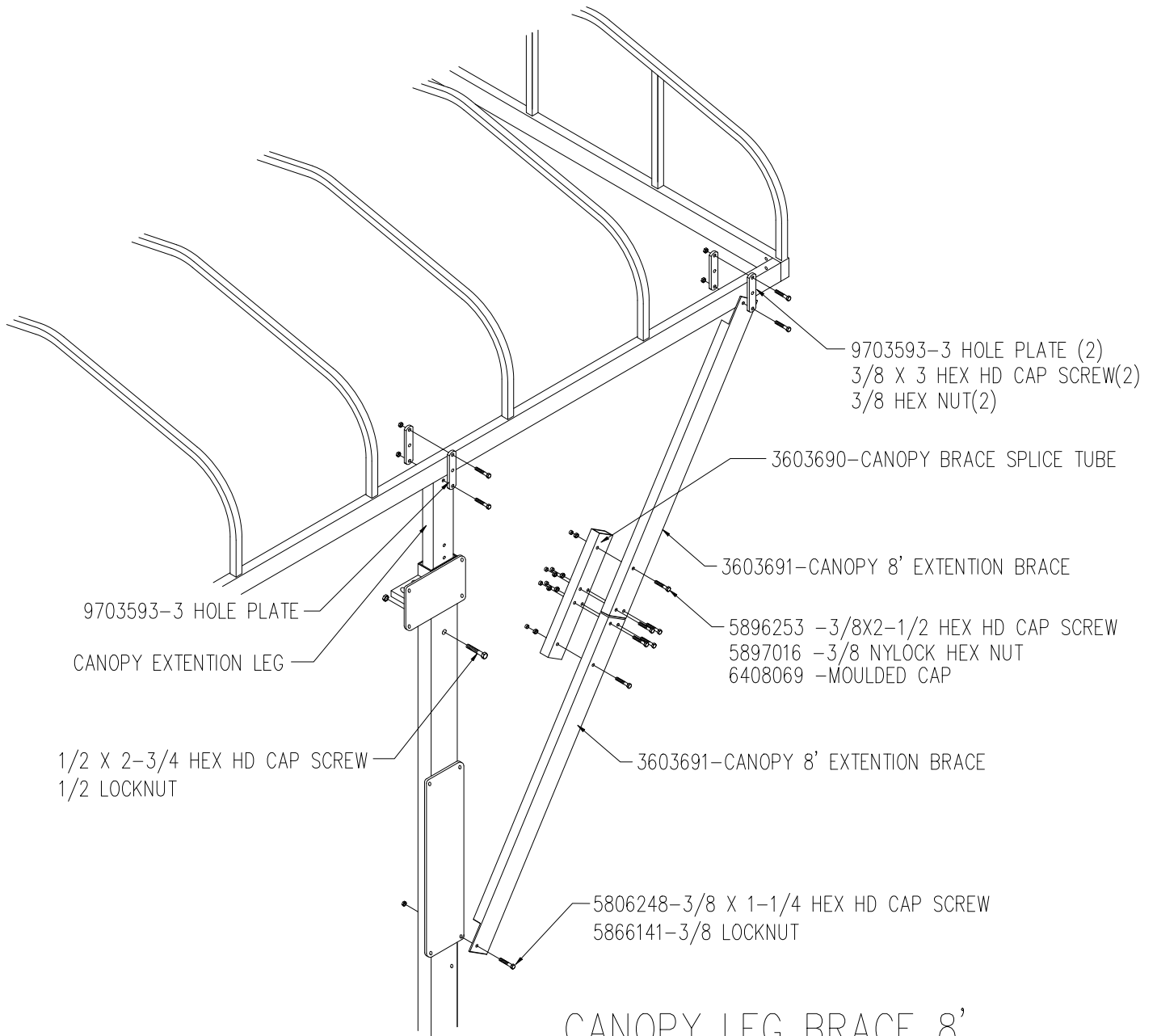
FAILURE TO APPLY A SUITABLE LUBRICANT TO THE MATING SURFACES OF STAINLESS STEEL THREADED FASTENERS MAY CAUSE GALLING AND/OR SEIZING OF ASSEMBLY.

3603706 CANOPY EXT LEGS 6'



CANOPY LEG BRACE 6'
KIT #3603706

3603708 CANOPY EXT LEGS 8'



- 9703593-3 HOLE PLATE (2)
- 3/8 X 3 HEX HD CAP SCREW(2)
- 3/8 HEX NUT(2)
- 3603690-CANOPY BRACE SPLICE TUBE
- 3603691-CANOPY 8' EXTENTION BRACE
- 5896253 -3/8X2-1/2 HEX HD CAP SCREW
- 5897016 -3/8 NYLOCK HEX NUT
- 6408069 -MOULDED CAP
- 3603691-CANOPY 8' EXTENTION BRACE
- 5806248-3/8 X 1-1/4 HEX HD CAP SCREW
- 5866141-3/8 LOCKNUT
- 9703593-3 HOLE PLATE
- CANOPY EXTENTION LEG
- 1/2 X 2-3/4 HEX HD CAP SCREW
- 1/2 LOCKNUT

CANOPY LEG BRACE 8'
KIT #3603708