



HEARTH PRODUCTS



OTL Report No. 116-F-36d-5

P/N 506017-04 Rev. D 04/2013

This manual is one of a set of two supporting this product. Refer to P/N 506015-05 for Installation Instructions. Ce manuel est disponible en français, simplement en faire la demande. Numéro de la pièce 506223-46.

WHAT'S INSIDE

Table of Contents 2
Safety and Your Fireplace 2
FREE Safety Guard Offer (Protects Against Burns) 2
Important Safety Information 4
Attaching the Safety-in-Operation Warnings 5
[EN FRANÇAIS] L'information de sûreté importante 3-4
Apposition des mises en garde relatives à la sécurité d'utilisation 5
[EN ESPAÑOL] Información importante de seguridad 3-4
Colocación de advertencias de seguridad en operación 5

CARE AND OPERATION INSTRUCTIONS

MPB B-Vent Gas Fireplaces

MERIT Plus SERIES

Table with 2 columns: MILLIVOLT and ELECTRONIC. Lists model numbers: MPB33CNM, MPB35CPM, MPB33CPM, MPB40CNM, MPB35CNM, MPB45CNM, MPB33CNE, MPB40CNE, MPB35CNE, MPB45CNE.

Decorative Product: Not for use as a heating appliance.

NOTICE: Fireplace is not to be operated by a thermostat.



INSTALLER: Leave this manual with the appliance.
CONSUMER: Retain this manual for future reference.
INSTALLATEUR : Laissez cette notice avec l'appareil.
CONSOMMATEUR : Conservez cette notice pour consultation ultérieure.



WARNING / AVERTISSEMENT / AVISO

Warning section with three columns: HOT GLASS WILL CAUSE BURNS. DO NOT TOUCH GLASS UNTIL COOLED. NEVER ALLOW CHILDREN TO TOUCH GLASS. UNE SURFACE VITRÉE CHAUDE PEUT CAUSER DES BRÛLURES. LAISSER REFROIDIR LA SURFACE VITRÉE AVANT D'Y TOUCHER. NE PERMETTEZ JAMAIS À UN ENFANT DE TOUCHER LA SURFACE VITRÉE. EL VIDRIO CALIENTE CAUSARÁ QUEMADURAS. USTED DEBE NUNCA TOCAR EL VIDRIO CALIENTE. LOS NIÑOS DEBEN NUNCA TOCAR EL VIDRIO.

WARNING: If the information in these instructions is not followed exactly, a fire or explosion may result, causing property damage, personal injury, or death.
- Do not store or use gasoline or other flammable vapors and liquids in the vicinity of this or any other appliance.
- WHAT TO DO IF YOU SMELL GAS:
• Do not try to light any appliance.
• Do not touch any electrical switch; do not use any phone in your building.
• Immediately call your gas supplier from a neighbor's phone. Follow the gas supplier's instructions.
• If you cannot reach your gas supplier, call the fire department.
- Installation and service must be performed by a qualified installer, service agency or the gas supplier.

AVERTISSEMENT : Assurez-vous de bien suivre les instructions données dans cette notice pour réduire au minimum le risque d'incendie ou d'explosion ou pour éviter tout dommage matériel, toute blessure ou la mort.
- Ne pas entreposer ni utiliser d'essence ni d'autres vapeurs ou liquides inflammables dans le voisinage de cet appareil ou de tout autre appareil.
- QUE FAIRE SI VOUS SENTEZ UNE ODEUR DE GAZ :
• Ne pas tenter d'allumer d'appareil.
• Ne touchez à aucun interrupteur. Ne pas vous servir des téléphones se trouvant dans le bâtiment où vous trouvez.
• Appelez immédiatement votre fournisseur de gaz depuis un voisin. Suivez les instructions du fournisseur.
• Si vous ne pouvez rejoindre le fournisseur de gaz, appelez le service des incendies.
- L'installation et l'entretien doivent être assurés par un installateur ou un service d'entretien qualifié ou par le fournisseur de gaz.

OPTIONAL REMOTE CONTROL SYSTEM

The remote control system provides remote ON/OFF burner operation.

The receiver (wall switch) accepts commands from the handheld remote control transmitter to turn the flame on and off.

Use the slider switch (*Figure 20*) to set the receiver to one of three positions:

- ON (manually turns on the burner)
- REMOTE (remote ON/OFF burner control)
- OFF (manually turns off the burner)

Receiver (Wall Switch) Functionality

The Receiver is powered by four (4) AA batteries. The receiver accepts commands via radio signal sent from the transmitter. When the system is turned on, an acoustic signal (“beep”) is generated to indicate that the Receiver is ready to receive commands from the remote control.

Remote Control Functionality

When the batteries are installed in the remote control and the side slider is in the position shown in Figure A, the LED on the transmitter illuminates each time the ON/OFF button is pressed.

Initializing the Remote Control System

To program the transmitter to the receiver, slide the wall switch to the REMOTE position (see *Figure 20*) and press the ON/OFF key on the handheld remote control.

The system has an automatic learning model that allows the receiver to synchronize with a new transmitter in the event the transmitter must be replaced. As soon as the receiver receives the first correct command from any remote control, it will beep (3) times to confirm synchronization.

Turning ON the Appliance

When the ON/OFF key is pressed (*Figure 21*), the LED on the transmitter illuminates and the remote control is switched on.

Turning OFF the Appliance

If the appliance and the remote control are switched on, when the ON/OFF key is pressed (*Figure 21*), the Remote control is turned off. The receiver beeps (2) times.

Low Battery Detection (Remote Control)

The life of the remote control batteries depends on many factors, including battery quality and number of appliance ignitions.

When the transmitter batteries are low, the LED light will be dim to alert of a low battery condition before losing all power. As soon as the depleted batteries are replaced, the Transmitter will restart its normal operation.

Low Battery Detection (Receiver Wall Switch)

If the receiver batteries are low, a triple acoustic signal will be emitted by the receiver when it receives a command from the transmitter depressing the ON/OFF key. This is an alert of a low battery condition before losing battery power at all. As soon as the depleted batteries are replaced, the acoustic signal from the receiver confirms the reception of the ON/OFF command from the transmitter.

Child Safety Lockout

With this function it is possible to deactivate the remote control key (see *Figure 21*).

Backup Function

If the batteries of the Receiver are low, the appliance can be switched on manually by moving the slider switch on the Receiver to the ON position (see *Figure 20*).



Figure 20 - Receiver, Wall Switch

! WARNING

Property damage hazard. Excessive heat can cause property damage. The appliance can stay lit for many hours. Turn off the appliance if it is not going to be attended for any length of time. Always place the Transmitter where children can not reach it.



Figure 21 - Transmitter - Remote Control

! WARNING

Fire hazard. Can cause severe injury or death. The receiver causes ignition of the appliance. The appliance can turn on suddenly. Keep away from the appliance burner when operating the remote system or activating manual bypass of the remote system.

Product Reference Information			
Cat. No.	Model	Ship. Wt.	Ship. Volume
H8641	MPB33CNE	77.5 lb.	13.1 cu. ft.
H8639	MPB33CNM	77.5 lb.	13.1 cu. ft.
H8640	MPB33CPM	77.5 lb.	13.1 cu. ft.
H8643	MPB35CNE	92 lb.	15.8 cu. ft.
H8642	MPB35CNM	92 lb.	15.8 cu. ft.
H8644	MPB35CPM	92 lb.	15.8 cu. ft.
H8646	MPB40CNE	117.5 lb.	20.2 cu. ft.
H8645	MPB40CNM	117.5 lb.	20.2 cu. ft.
H8648	MPB45CNE	125.5 lb.	23.0 cu. ft.
H8647	MPB45CNM	125.5 lb.	23.0 cu. ft.

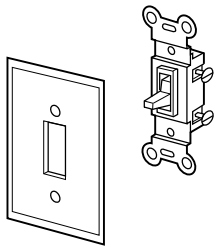
ACCESSORY COMPONENTS



Manual or up to 3 hr Countdown Timer modes

- LCD display
- Displays room temp. in °F or °C
- Flame icon and low battery indicator
- Includes batteries
- Wall clip included
- Receiver may be wall mounted or placed in the control compartment
- Includes white face plate
- Flame icon
- Low battery indicator
- Batteries included

Remote, Two Button, Timer, On/Off Or Timer Mode		
Cat. No.	Model No.	Description
H8860	RC-S-1	Remote Control



ON/OFF Wall Switch Kit

The ON/OFF wall switch may be used to control the operation of the fireplace burner as an alternative to the optional unit-mountable ON/OFF rocker switch. Install the wall switch in a convenient location near the fireplace.

White Wall Switch Kit		
Cat. No.	Model No.	Description
85L87	FWSK	OFF/ON Wall Switch Kit



Wall Control

- 4-button timer with 30/60/120/OFF minutes
- Wall surface mounted
- Connects to wall switch wire
- Perfect for rental and resort applications

Wall Switch, Countdown Timer		
Cat. No.	Model No.	Description
H8863	WS-S-TMR	Wall Switch



Cost Effective Solution

- Simple On/Off operation
- Works with millivolt and low voltage electronic ignition controls

Kit includes:
Remote and Receiver

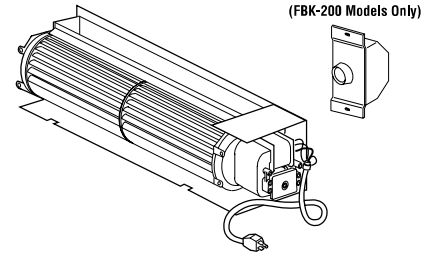
G-Fire Remote, Simple On/Off		
Cat. No.	Model No.	Description
H8840	KIT-RC-G-FIRE	Remote Control



Touch-Up Paint Kit

Repair of minor scratches and discoloration of the appliance black painted surfaces may be accomplished with the touch-up paint kit.

Touch-Up Paint Kits		
Cat. No.	Model No.	Description
90L73	FTPK-B	Touch-Up Paint (Black)



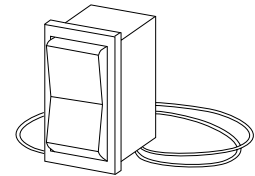
Forced Air Blower Kit

The FBK-100 blower assembly provides constant-velocity forced-air circulation.

The FBK-200 blower assembly provides variable-speed forced-air circulation and includes a wall-mountable variable-speed switch.

The FBK-250 blower assembly provides variable-speed forced-air circulation and includes a unit-mountable variable-speed switch.

Forced Air Blower Kits		
Cat. No.	Model No.	Description
80L84	FBK-100	Single Speed
80L85	FBK-200	Variable Speed with wall-mountable switch
80L86	FBK-250	Variable Speed with unit-mountable switch

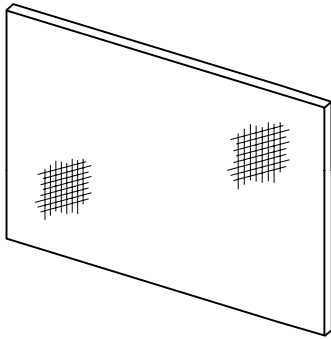


Unit-Mountable ON/OFF Rocker Switch Kit (Millivolt systems only)

The rocker switch may be used to provide ON/OFF operation as an alternative to the optional wall switch. The rocker switch installs in a mounting bracket in the control compartment (millivolt gas valve-equipped fireplaces only).

Rocker Switch Kit		
Cat. No.	Model No.	Description
80L41	FRS	Rocker Switch Kit

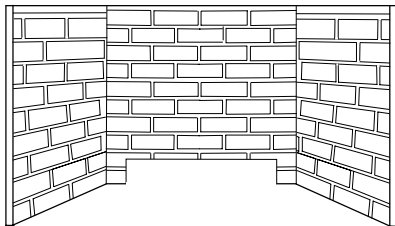
ACCESSORY COMPONENTS (continued)



35" Barrier Screen Kits		
Cat. No.	Model No.	Models Where Used
H7974	BSK33M	MPB33
H7975	BSK35M	MPB35
H7976	BSK40M	MPB40
H7977	BSK45M	MPB45

Barrier Screen Kits

These barrier screen kits create a barrier to prevent direct contact with the hot glass. The screen panel affixes directly to the glass enclosure panel.



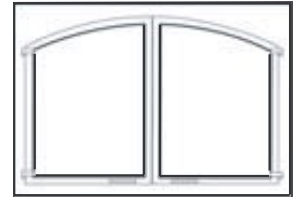
Firebox Liner Kits		
Cat. No.	Model No.	Description
H4683	MBLK-33B	Brick Liner Kit, MPB33
H4684	MBLK-35B	Brick Liner Kit, MPB35
H4685	MBLK-40B	Brick Liner Kit, MPB40
H4686	MBLK-45B	Brick Liner Kit, MPB45

The brickaded firebox liner kits include ceramic panels as shown here. The panels have brick-like features in relief.

Style View™ Doors

Style View doors come in three styles. They are easy to install onto the standard glass door frame. Includes heavy-duty magnetic door latches and functional twin-pane doors.

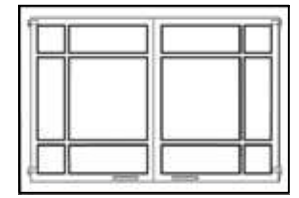
Cat. No.	Model	Description	Where Used
H8769	AD35B-2	35" Arch Doors, Black	MPB35
H8770	AD35SP-2	35" Arch Doors, Satin Pewter	
H8771	AD40B-2	40" Arch Doors, Black	MPB40
H8772	AD40SP-2	40" Arch Doors, Satin Pewter	
H8773	AD45B-2	45" Arch Doors, Black	MPB45
H8774	AD45SP-2	45" Arch Doors, Satin Pewter	



Cat. No.	Model	Description	Where Used
H8775	APD35B-2	35" Arch Pane Doors, Black	MPB35
H8776	APD35SP-2	35" Arch Pane Doors, Satin Pewter	
H8777	APD40B-2	40" Arch Pane Doors, Black	MPB40
H8778	APD40SP-2	40" Arch Pane Doors, Satin Pewter	
H8779	APD45B-2	45" Arch Pane Doors, Black	MPB45
H8780	APD45SP-2	45" Arch Pane Doors, Satin Pewter	



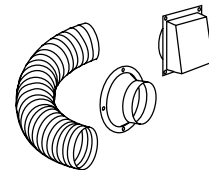
Cat. No.	Model	Description	Where Used
H8781	SPB35B-2	35" Sq. Pane Doors, Black	MPB35
H8782	SPB35SP-2	35" Sq. Pane Doors, Satin Pewter	
H8783	SPB40B-2	40" Sq. Pane Doors, Black	MPB40
H8784	SPB40SP-2	40" Sq. Pane Doors, Satin Pewter	
H8785	SPB45B-2	45" Sq. Pane Doors, Black	MPB45
H8786	SPB45SP-2	45" Sq. Pane Doors, Satin Pewter	



Decorative Firebox Accessories		
Cat. No.	Model No.	Description
88L53	FGE	Bag of Glowing Embers (1 oz. rockwool)
80L42	FDVS	Bag of Decorative Volcanic Stone

**Bag of Glowing Embers
Bag of Volcanic Stone**

Replacement ember materials or volcanic stone are available for use with these appliances. Order kits as part of the periodic maintenance of the appliance.



Outside Combustion Air Kits		
Cat. No.	Model No.	Description
81L87	FOAK-4	Combustion Air Kit (with duct)
81L88	FOAK-4LD	Combustion Air Kit (without duct)

Outside Air Kits Models FOAK-4 and FOAK-4LD

Outside Air kits are available with duct (FOAK-4) and without duct (FOAK-4LD) for use if outside combustion air is required or desired. If model FOAK-4LD is used it must be used in conjunction with locally purchased, non-combustible Class 1 or Class 0 flexible duct.

REPLACEMENT PARTS LIST

Item No.	Description	MPB33		MPB35		MPB40		MPB45	
		Part No.	Qty.	Part No.	Qty.	Part No.	Qty.	Part No.	Qty.
1	Hood	H4574	1	97K51	1	97K52	1	97K53	1
2	Louver Assembly, Top Panel	H4577	1	H6337	1	H2727	1	H3146	1
3	Louver Assembly, Lower Panel	H4578*	1	H6344*	1	H6345*	1	H6346*	1
4	Enclosure, Glass Front (Complete)	H3889	1	H3881	1	H3941	1	H3892	1
5	Nameplate (Brand)	12L15	1	12L15	1	12L15	1	12L15	1
6	Door Latch Spring	69L21	1	69L21	1	69L21	1	69L21	1
7	Catch, Door, Magnetic	69L31	2	69L31	2	69L31	2	69L31	2
8	Log Set (Complete)	24M15	1	H6197	1	24M25	1	24M25	1
9	Burner Assembly	H8585	1	H8585	1	H8587	1	H8587	1
10	Grate Assembly	H6526	1	H6526	1	H6314	1	H6314	1
11	Orifice, Main Burner - Natural Gas	99K74	1	60J80	1	99K76	1	24M10	1
11	Orifice, Main Burner - LP Gas	99K78	1	19L52	1	21L01	1	37G00	1
12	Bag Of Embers (Rockwool)	88L53	1	88L53	1	88L53	1	88L53	1
13	Bag Of Decorative Volcanic Stone	80L42	1	80L42	1	80L42	1	80L42	1
14	Gas Line Flexible Connector	93L32	1	93L32	1	93L32	1	93L32	1
15	Safety Limit Switch (High Limit Disc)	62L16	1	62L16	1	62L16	1	62L16	1

Gas Controls - SIT Millivolt

Item No.	Description	Natural Gas		Propane Gas	
		Part No.	Qty.	Part No.	Qty.
16	Gas Valve, SIT	H6209	1	88J53	1
17	Piezo Igniter	10K86	1	10K86	1
18	Pilot Assembly	69L17	1	69L18	1
19	Pilot Generator	60J79	1	60J79	1
20	Thermocouple	74L57	1	74L57	1
21	Pilot Tube	74L56	1	74L56	1
22	Electrode And Cable	H6212	1	H6212	1
23	Pilot Shield	H8853	1	H8853	1

Gas Controls - SIT Electronic

Item No.	Description	Natural Gas		Propane Gas	
		Part No.	Qty.	Part No.	Qty.
24	Gas Valve, SIT	H8844	1	H8594	1
25	Pilot Assembly	H7268	1	H7269	1
Not Shown	Pilot Shield	H8853	1	H8853	1
27	Transformer	H8006	1	H8006	1
28	Digital Flame Control Module	H7272	1	H7272	1
29	Battery Holder	H8803	1	H8803	1
30	DFC Wiring Harness	H8601	1	H8601	1
31	CPI On/Off Switch	27K30	1	27K30	1

* Lennox Nameplate Logo, 12L15, is not included.

Contact a Lennox Hearth Products dealer to obtain any of these parts. Never use substitute materials. Use of non-approved parts can result in poor performance and safety hazards.

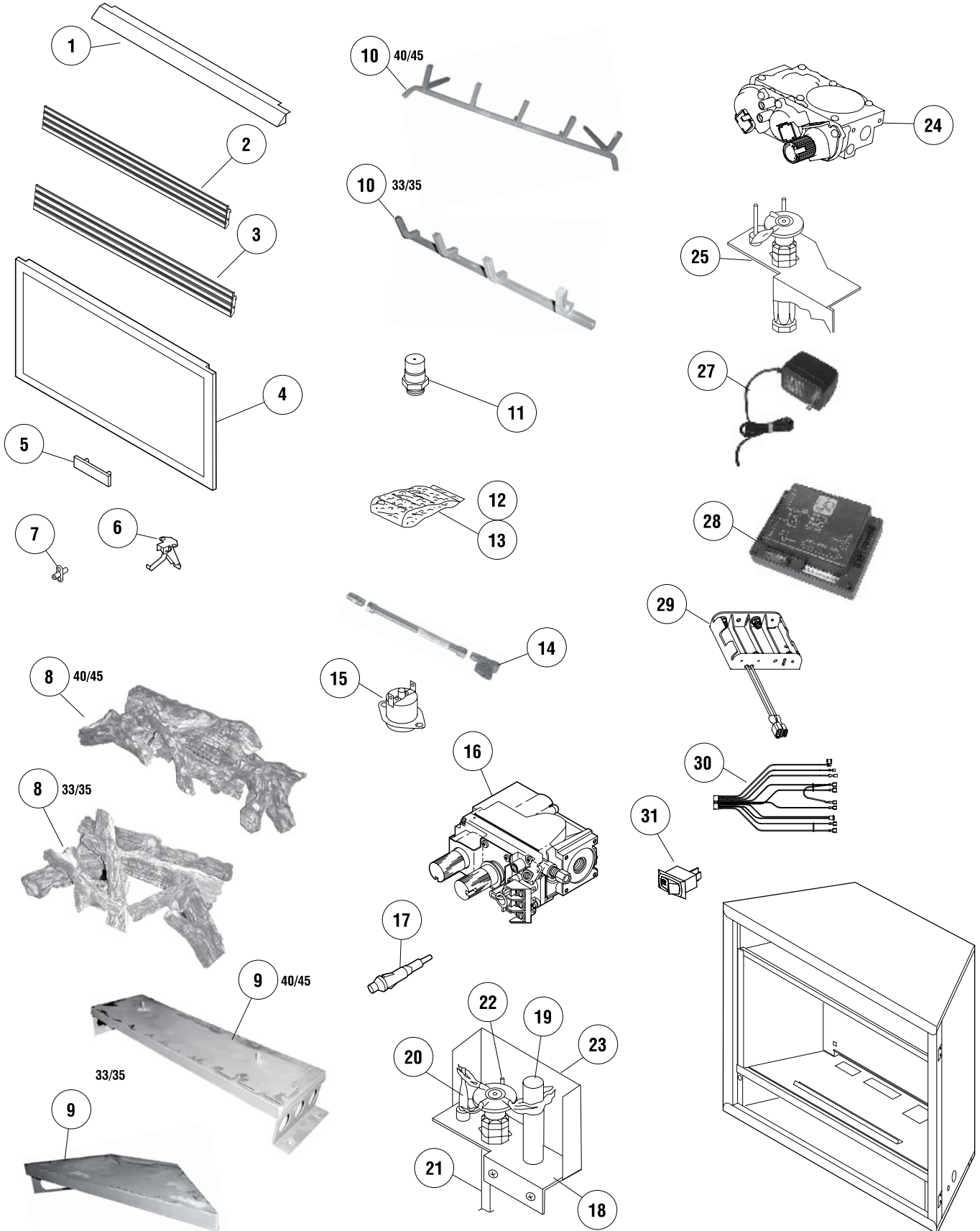
 **WARNING**

Failure to position the parts in accordance with these diagrams or failure to use only parts specifically approved with this appliance may result in property damage or personal injury.

 **AVERTISSEMENT**

Risque de dommages ou de blessures si les pièces ne sont pas installées conformément à ces schémas et ou si des pièces autres que celles spécifiquement approuvées avec cet appareil sont utilisées.

REPLACEMENT PARTS



NOTE: DIAGRAMS & ILLUSTRATIONS ARE NOT TO SCALE.