

OPERATING INSTRUCTIONS AND PARTS LIST INSTRUCCIONES DE OPERACION Y LISTA DE PIEZAS



Dual Trac Surface Grinder Electric & Gasoline Models

MODELS: DT15E (1-1/2 HP Electric)
DT11H (11 HP Honda Gasoline)

Effective With Serial No. 308084 and Later

Model: _____

Serial Number: _____

Engine / Motor Serial No.: _____

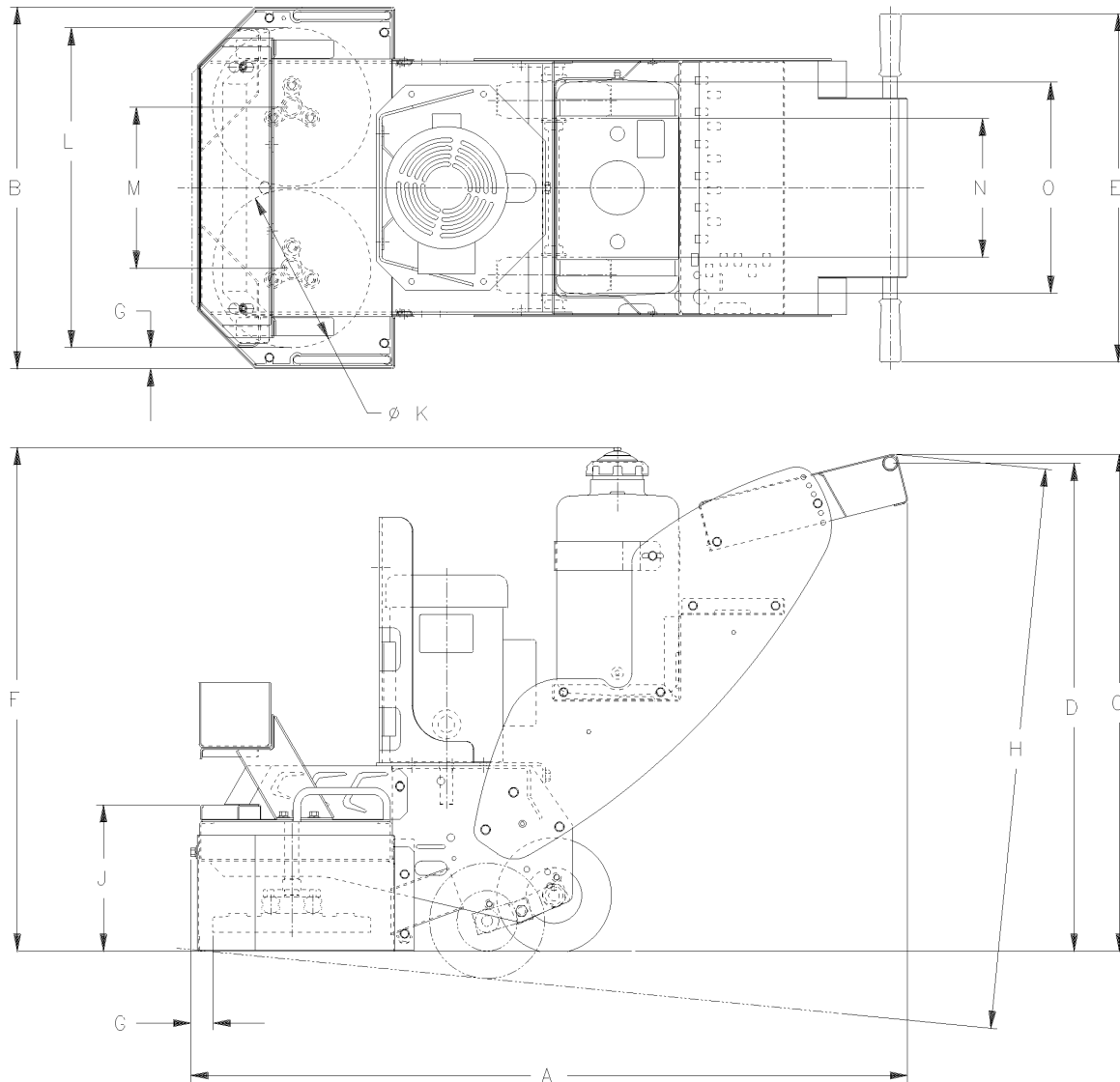
Purchase Date: _____



This Document Supersedes All Earlier Dated Documents.

0A7796
© August 16, 2002
Printed in U.S.A.

TARGET® Dual Trac SPECIFICATIONS		
FEATURE	MODEL	
Model Number:	DT15E	DT11H
Item Number:	F60000	F60001
Power Source:	Electric	Gasoline
Maximum Horsepower:	1-1/2 (1,1 kw)	11 (8,2 kw)
Motor / Engine Rated RPM:	1725	3600
Brand:	Baldor	Honda
Model / Specification:	TEFC	GXV340
Voltage:	115 / 230	-----
Phase:	Single	-----
Full Load Current @ 115V:	19	-----
Full Load Current @ 230V:	9.5	-----
Displacement:	-----	20.6 cubic inches (338 cc)
Bore:	-----	3.2 inch (82 mm)
Stroke:	-----	2.5 inch (64 mm)
Cylinders:	-----	1
Fuel Capacity:	-----	.61 US Gallon (2,3 Liter)
Oil Capacity:	-----	1.16 US Quart (2.32 US Pints) (1,09 Liter)
Air Filter:	-----	Dual Element: Pleated Paper & Foam Pre Cleaner
Starter:	Capacitor	Recoil
Coolant:	Air	Air
Spindle Shaft RPM:	230	279 – 560 (Variable Speed Using Engine Throttle)
Clutch Engagement RPM:	N/A	1800
Nominal Weight:	309 Lb. (140 kg)	328 Lb. (149 kg)
Operating Weight (With Tools, Fuel, Oil, Etc):	320-350 Lb. (145-159 kg)	340-370 Lb. (154-168 kg)
Grinding Width:	22.2 inches (56,4 cm)	
Gearbox Ratio:	4.48 : 1	
Handle:	Six (6) Position Adjustment with Rubber Grips	
Dust Port:	3.0" (76,2 mm) Outside Diameter will accept 3" (76mm) Inside Dia. Flex Hose	
Tires & Wheels:	8" Diameter, 3/4" Bore, Semi-Pneumatic, Steel Wheel with Roller Bearings & Grease Fitting	
Axle:	3/4" Diameter, Zinc Plated with One Transport & Four (4) Operation Positions	
Tool Storage Area (See FIG. 33):	Holds Six (6) Extra Tools (2 x 2 x4") and Nine (9) Extra Wooden Wedges	
OPTIONS:		
Water Tank Kit (P/N 177855):	Plastic, 7.5 Gallon (28.4 Liter), Quick-Connect ON/OFF Valve, Brass Fittings & Spray Nozzle, Weight 6.5 Lbs. (2,9 kg) Less Water	
Weight Kit (P/N 177856):	Includes Weight Tray, Removable Weight Box, & 58 Lbs. (26 kg) of Steel Weights. Can Hold an additional Nine (9) Weight bars (Sold Separately) [58 Lbs. (26 kg)] for a Total Maximum Weight of 117 Lbs. (53 kg)	
Lift Bail Kit (P/N 177901): (For Gas/Electric Models)	One Point Lifting, 7 Ga. x 1.5" (38 mm) Steel, Weight 14 Lbs. (6,3 kg) Gas Model: Standard Equipment Beginning Spring 2000. Electric Model: Lifting Eye (Standard Equipment), but this Kit Will Fit.	
Diamond Disk Adapter Kit (P/N 177861):	Attaches Two (2) 10" (254mm) Diameter Diamond Disks To the Machine. Kit Includes adapter disks and all attaching hardware. Diamond Disks must be purchased separately.	



(DT15_dims.tif)

Dimensions (Note 1)

Item	Length (cm)	Description
A	50.2" (127.5)	Length – Maximum (With Handle In Low Position)
B	25.12" (63.8)	Width
C	37.6" (95.5)	Operating Height (Maximum – Note 1)
D	37.0" (94.0) – 31.5" (80.0)	Handle Height (Maximum – Minimum)
E	24.2" (61.5)	Handle Width
F	35.0" (88.9)	Water Tank Height
G	1.50" (3.8)	Grind To Wall (Front and Side)
H	41.9 (106.5)	Transport Height (Maximum – Note 2)
J	10.2" (25.8)	Front Height
K	11.0" (27.9)	Disk Diameter
L	22.2 (56.4)	Grinding Width
M	11.200 (28.45)	Spindle Center Distance
N	9.6" (24.4)	Width Inside Tires
O	14.6" (37.0)	Width Outside Tires

Notes:

1. Dimensions are for the machine with the axle in "operation" position unless otherwise specified.
2. Dimension "H" is for the machine with the axle in "Transport" position.

PARTS LIST

LISTA DE PIEZAS

Parts List

Callout Designation:

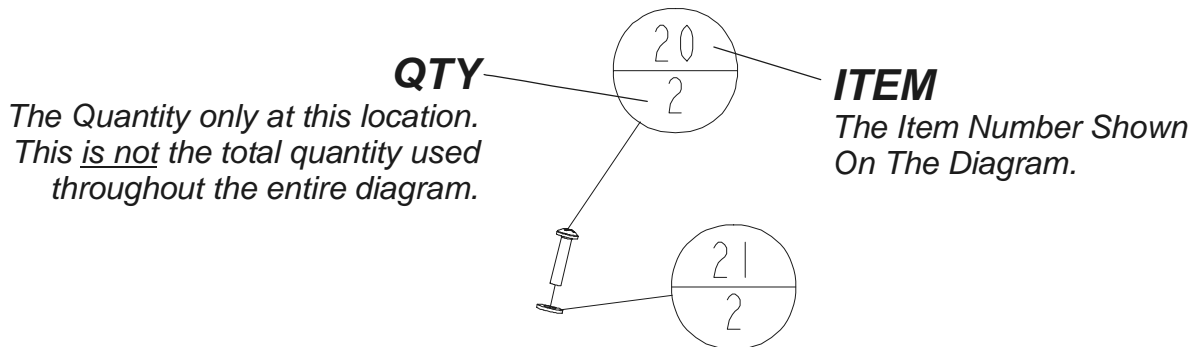


Diagram 1 – Final Assembly Group, 1.5 hp Electric

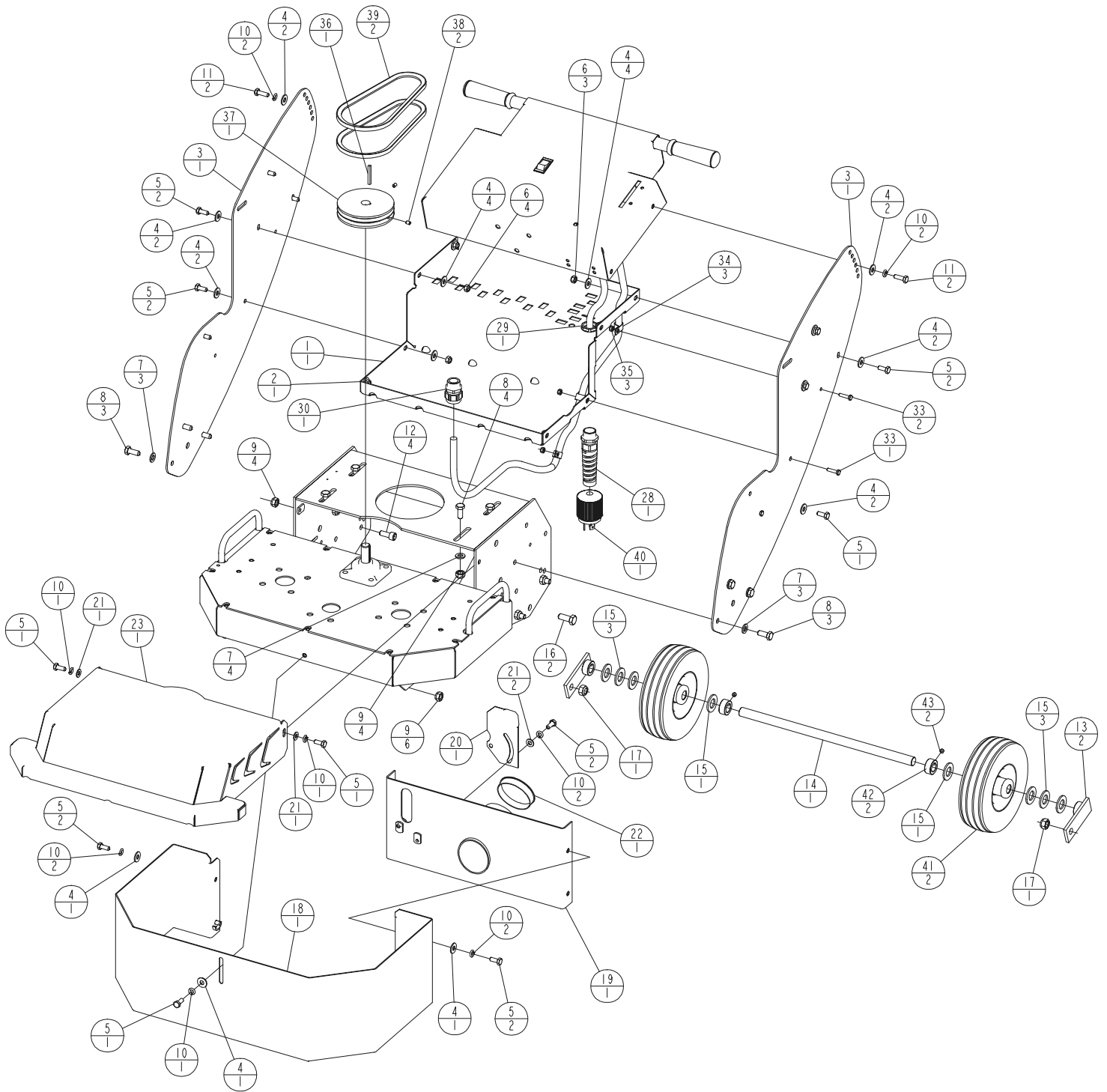


Diagram 1 Parts List – Final Assembly Group, 1-1/2 hp Electric

ITEM	P/N	DESCRIPTION	QTY
1	-----	Final Assembly - Electric	1
2	177783	Water Tank Support	1
3	177780	Support, Handle	2
4	020742	Washer, Flat .313 Dia	23
5	197227	Capscrew, Hex Hd M8 x 1.25 x 20mm	16
6	139738	Locknut, Fiber M8 x 1.25	7
7	173014	Washer, Flat M10	10
8	139749	Capscrew, Hex Hd M10 x 1.50 x 25mm	10
9	139748	Locknut, Fiber M10 x 1.50	14
10	020785	Lockwasher, Split .312 Dia	13
11	167478	Capscrew, Hex Hd M8 x 1.25 x 25mm	4
12	164954	Capscrew, Soc Hd M10 x 1.50 x 25mm	4
13	177752	Axle Pivot Bar Weldment	2
14	177754	Axle, 3/4 Dia x 16.68 Lg	1
15	020768	Washer, Flat .75 Dia SAE	8
16	139741	Capscrew, Hex Hd M12 x 1.75 x 30mm	2
17	139742	Locknut, Fiber M12 x 1.75	2
18	177804	Dust Shield Weldment	1
19	177807	Dust Port Weldment	1
20	177817	Dust Shield Cover	1
21	020763	Washer, Flat .312 SAE	4
22	177772	Cap, Dust Port	1
23	177801	Gearbox Cover Weldment	1
24	187051	Decal, Dual Trac	3 (Not Shown)
25	052130	Decal, Target	2 (Not Shown)
26	177857	Decal, Oper. Instr.	1 (Not Shown)
27	176223	Decal, Warning, Guards In Place	2 (Not Shown)
28	177745	Strain Relief, 3/4 NPT (w/flex extender)	1
29	177746	Nylon Locknut, 3/4 NPT	1
30	182024	Strain Relief, 3/4 NPT	1
31	046422	Wire Connector, #10 x 12-10GA , Ring Terminal	1
32	170058	Electrical Nut, Yellow	2
33	139740	Capscrew, Hex Hd M6 x 1.0 x 25mm	3
34	166673	Clamp, Vinyl Coated 1/4 Hole x 5/8 ID	3
35	139745	Locknut, Fiber M6 x 1.0	3
36	020080	Key, Square .188 x 1.75 Lg	1
37	177955	Pulley w/SS, 2G3V4.75 .75 Bore (Incl. Item 38)	1
38	020541	Screw, Set Soc Cup Pt .250-20UNC x .375	2
39	177749	Belt, 3VX250 (Electric Motor)	2
40	030103	Plug, Motor Pigtail, L5-20P P-S	1
41	177768	Wheel, 8 x 2.50	2
42	041160	Lock Collar, .750 ID	2
43	020551	Screw, Set Soc Cup Pt .312-18UNC x .25	2

Parts List Callout Designation:

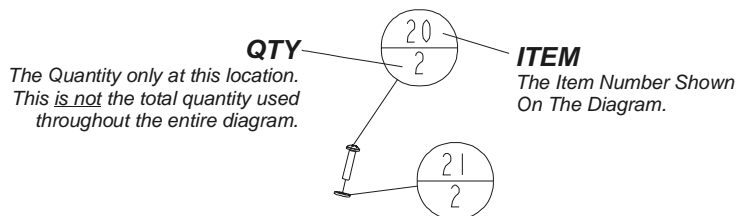


Diagram 2 – Final Assembly Group, 11 hp Honda Gas

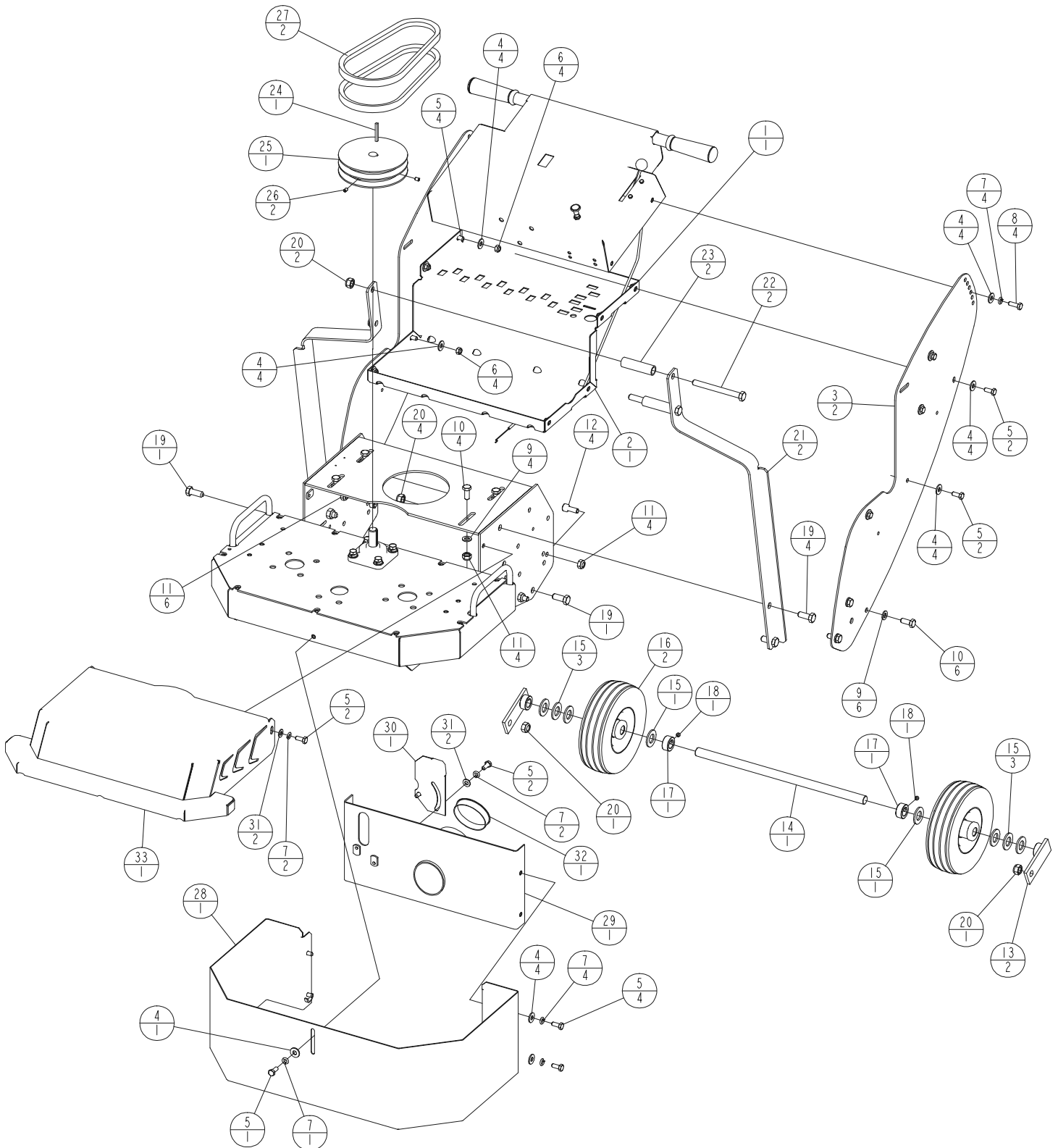


Diagram 2 Parts List – Final Assembly Group, 11 hp Honda Gas

16August2002

ITEM	P/N	DESCRIPTION	QTY
1	-----	Final Assembly, Gas	1
2	177783	Water Tank Support	1
3	177780	Support, Handle	2
4	020742	Washer, Flat .313 Dia	25
5	197227	Capscrew, Hex Hd M8 x 1.25 x 20mm	17
6	139738	Locknut, Fiber M8 x 1.25	8
7	020785	Lockwasher, Split .312 Dia	13
8	167478	Capscrew, Hex Hd M8 x 1.25 x 25mm	4
9	173014	Washer, Flat M10	10
10	139749	Capscrew, Hex Hd M10 x 1.50 x 25mm	10
11	139748	Locknut, Fiber M10 x 1.50	14
12	164954	Capscrew, Soc Hd M10 x 1.50 x 25mm	4
13	177752	Axle Pivot Bar Weldment	2
14	177754	Axle, 3/4 Dia x 16.68 Lg	1
15	020768	Washer, Flat .75 Dia SAE	8
16	177768	Wheel, 8 x 2.50	2
17	041160	Lock Collar, .750 ID	2
18	020551	Screw, Set Soc Cup Pt .312-18UNC x .25	2
19	139741	Capscrew, Hex Hd M12 x 1.75 x 30mm	6
20	139742	Locknut, Fiber M12 x 1.75	8
21	177946	Lift Bail	2
22	167631	Capscrew, Hex Hd M12 x 1.75 x 100mm	2
23	166194	Spacer, Lift Frame	2
24	020080	Key, Square .188 x 1.75 Lg	1
25	177956	Pulley w/SS, 2GB5.95-.75 Bore(Incl. Itm 26)	1
26	020541	Screw, Set Soc Cup Pt .250-20UNC x .375	2
27	177798	Belt, B-26 (Gas Model)	2
28	177804	Dust Shield Weldment	1
29	177807	Dust Port Weldment	1
30	177817	Dust Shield Cover	1
31	020763	Washer, Flat .312 SAE	4
32	177772	Cap, Dust Port	1
33	177801	Gearbox Cover Weldment	1

Items Not Shown On Diagram (For Pictures See “Decal Description” Page Of This Document):

34	187051	Decal, Dual Trac	3
35	052130	Decal, Target	2
36	177857	Decal, Oper. Instr.	1
37	176223	Decal, Warning, Guards In Place	2

Parts List Callout Designation:

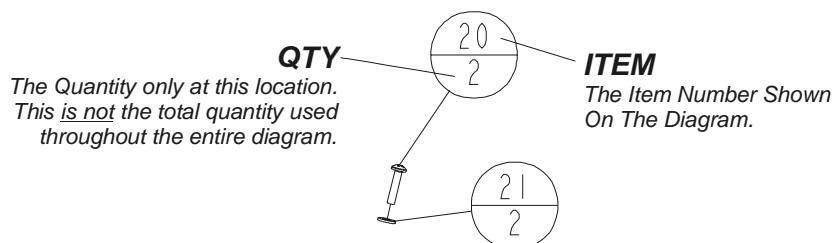
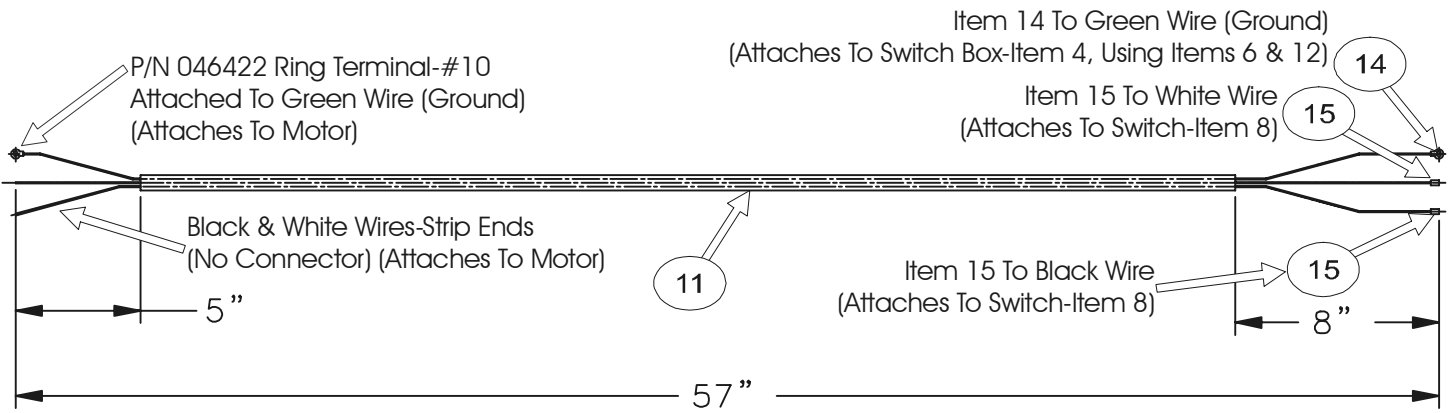
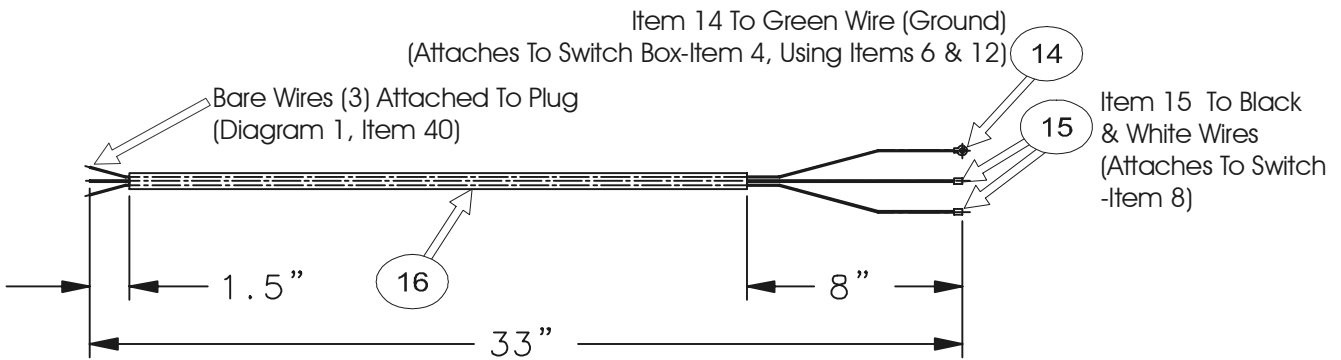


Diagram 3 Parts List – Handle Group, 1.5 hp Electric

ITEM	P/N	DESCRIPTION	QTY
1	-----	Handle Assembly - Electric	1
2	177786	Adjustable Handle Weldment	1
3	139568	Grip, Handle	2
4	177838	Switch Box Weldment	1
5	020742	Washer, Flat .313 Dia	2
6	173019	Lockwasher, External Tooth, M8	3
7	197227	Capscrew, Hex Hd M8 x 1.25 x 20mm	2
8	177747	Rocker Switch, 20A/1.5hp	1
9	182024	Strain Relief, 3/4 NPT	2
10	177746	Nylon Locknut, 3/4 NPT	2
11	177886	Electrical Cord, SO/SOW, 12/3 x 57 Inches	1
12	172028	Capscrew, Hex Hd M8 x 1.25 x 16mm (Full Thread)	1
13	197101	Wire Tie, .094 x 8.0 Lg (Thru Front Of Handle)	1
14	177288	Wire Connector, .312 Terminal Ring	2
15	167703	Wire Connector, .25 Female, Quick Connector	4
16	177885	Electrical Cord, SO/SOW, 12/3 x 33 Inches	1



Parts List Callout Designation:

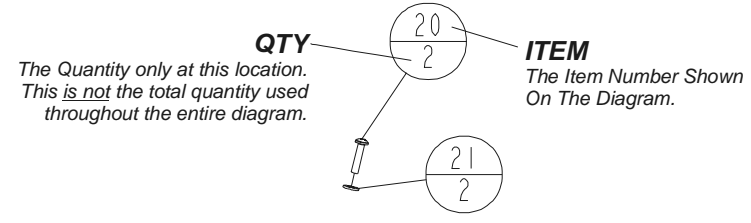


Diagram 4 – Handle Group, 11 hp Honda Gas

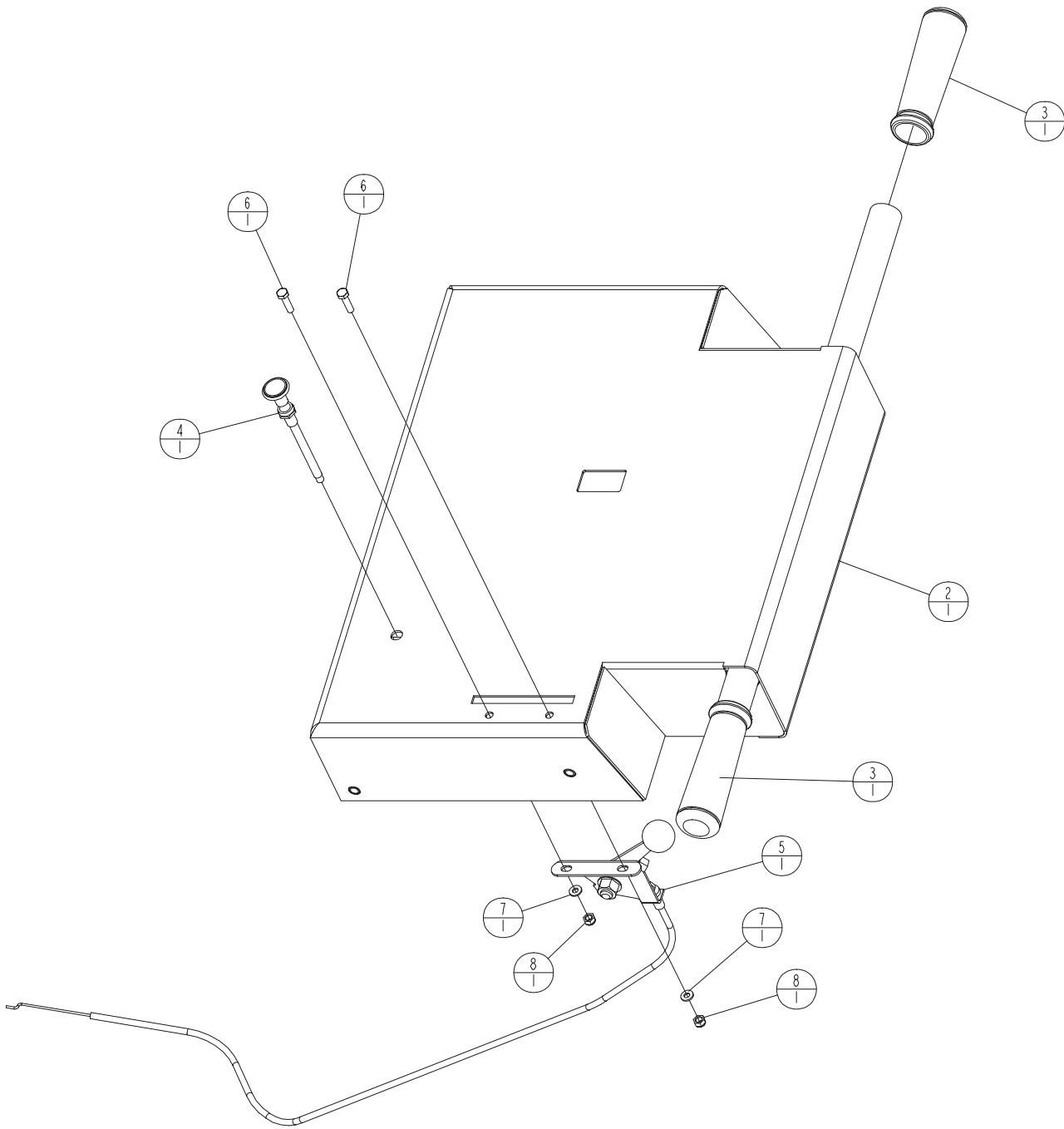


Diagram 4 Parts List – Handle Group, 11 hp Honda Gas

ITEM	P/N	DESCRIPTION	QTY
1	-----	Handle Assembly, Target Gas	1
2	177786	Adjustable Handle Weldment	1
3	139568	Grip, Handle	2
4	177836	Choke Cable Modified	1
5	177797	Cable Assembly, Engine Throttle Modified	1
6	167761	Capscrew, Hex Hd M5 x 0.8 x 20mm	2
7	173047	Washer, Flat M4	2
8	172316	Locknut, Fiber M5 x 0.8	2

Diagram 5 – Motor Group, 1.5 hp Electric

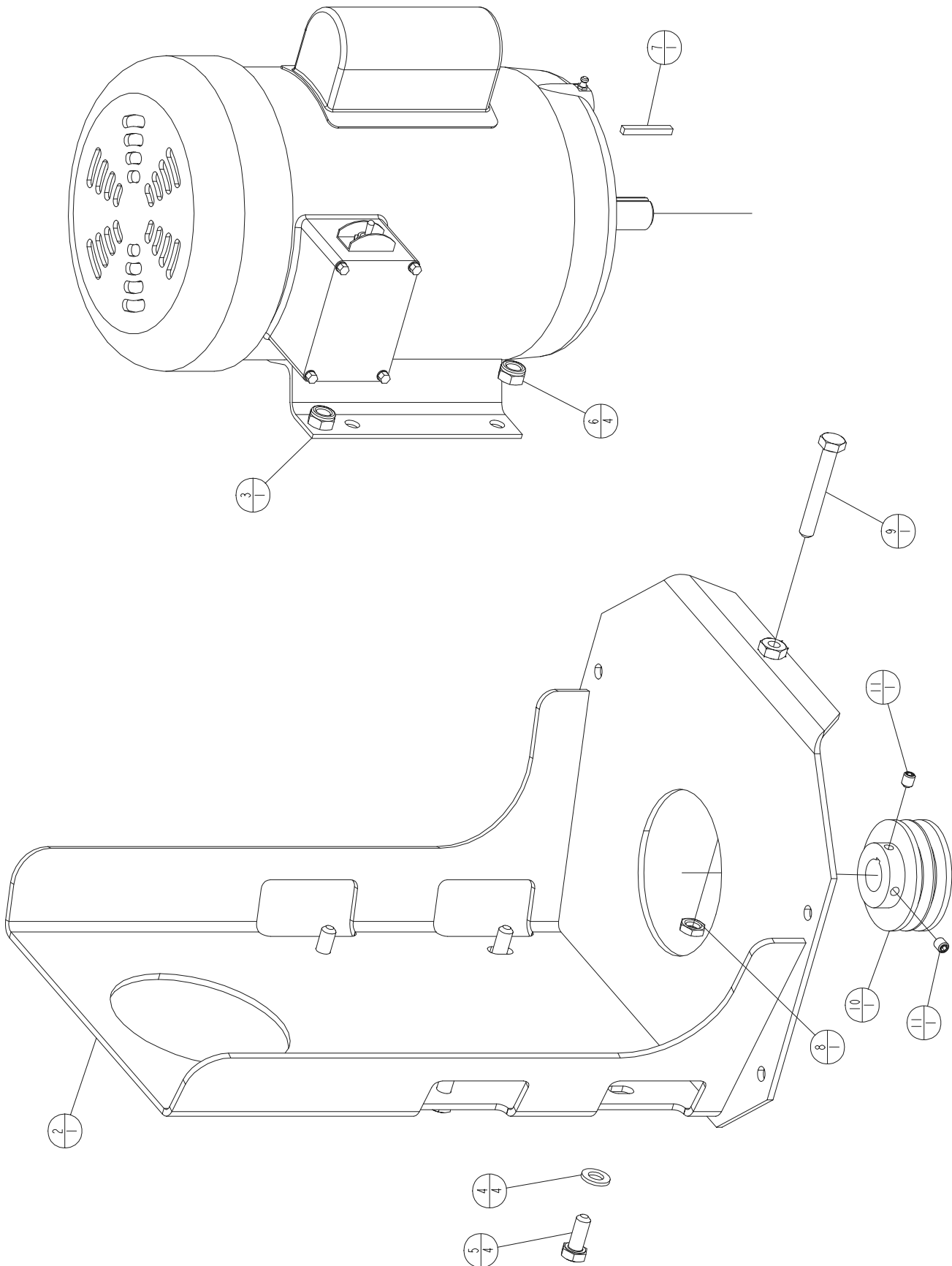


Diagram 5 Parts List – Motor Group, 1.5 hp Electric

16August2002

ITEM	P/N	DESCRIPTION	QTY
1	-----	Motor Group	1
2	177789	Motor Base	1
3	177771	Motor, 1.5hp (1750 RPM)	1
4	173014	Washer, Flat M10	4
5	139749	Capscrew, Hex Hd M10 x 1.50 x 25mm	4
6	139748	Locknut, Fiber M10 x 1.50	4
7	020063	Key, Square .188 x 1.50 Lg	1
8	176222	Nut, Jam hex Hd M10 x 1.50	1
9	177884	Capscrew, Hex Hd M10 x 1.50 x 65mm (Full Thread)	1
10	030931	Pulley w/SS, 3V3.00-.875 Bore w/SS(Incl. Item 11)	1
11	020550	Screw, Set Soc Cup Pt .312-18UNC x .375	2

Parts List Callout Designation:

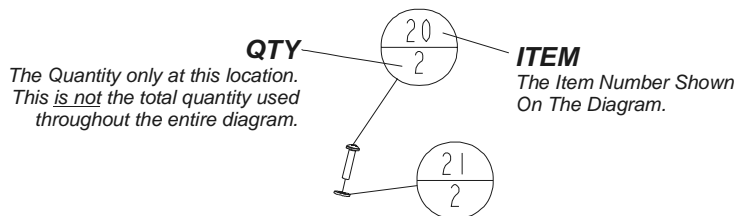


Diagram 6 Parts List – Engine Group, 11 hp Honda

16August2002

ITEM	P/N	DESCRIPTION	QTY
1	-----	Engine Bench Assembly	1
2	177792	Engine Base	1
3	177764	Honda Engine, 11hp Model GXV340	1
4	020763	Washer, Flat .312 SAE	4
5	020785	Lockwasher, Split .312 Dia	2
6	020316	Capscrew, Hex Hd .312-18UNF x 1.00	2
7	020373	Capscrew, Hex Hd .312-18UNC x 1.50	2
8	020197	Locknut, Fiber .3125-18UNC	2
9	177766	Spacer, Engine Clutch	1
10	163130	Key, Square .250 x 3.25	1
11	177765	Clutch	1
12	020744	Washer, Flat .438 Dia	1
13	020787	Lockwasher, Split .438 Dia	1
14	177767	Capscrew, Hex Hd .438-20UNF x 2.75	1
15	177868	Switch Box Weldment	1
16	163688	Capscrew, Hex Hd M6 x 1.0 x 16mm	2
17	139745	Locknut, Fiber M6 x 1.0	2
18	CLIP	Included With Honda Engine	1
19	172315	Capscrew, Hex Hd M5 x 0.8 x 16mm	1
20	176222	Nut, Jam hex Hd M10 x 1.50	1
21	177884	Capscrew, Hex Hd M10 x 1.50 x 65mm (Full Thread)	1
22	177860	Fitting Assy, Oil Drain M20 x 1.5 x 3/8 Hose Barb	1
23	177859	Fitting, Connector, M20 Male x 1/2-14NPT Female	1
24	177017	Fitting, 1/2-14NPT x 3/8 Hose Barb	1
25	167305	Hose Assembly, Oil Drain	1
26	020049	Hose Clamp, Worm Drive	1
27	167306	Cap, Blanking	1
28	167622	Tube Nut, M16	1

Parts List Callout Designation:

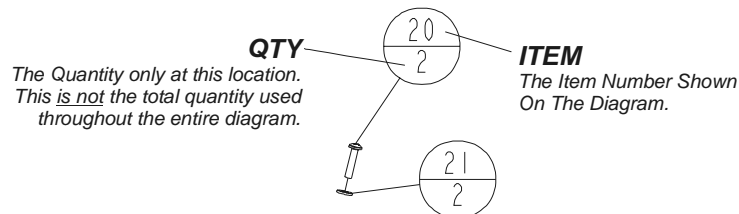


Diagram 7 – Gearbox Assembly, All Models

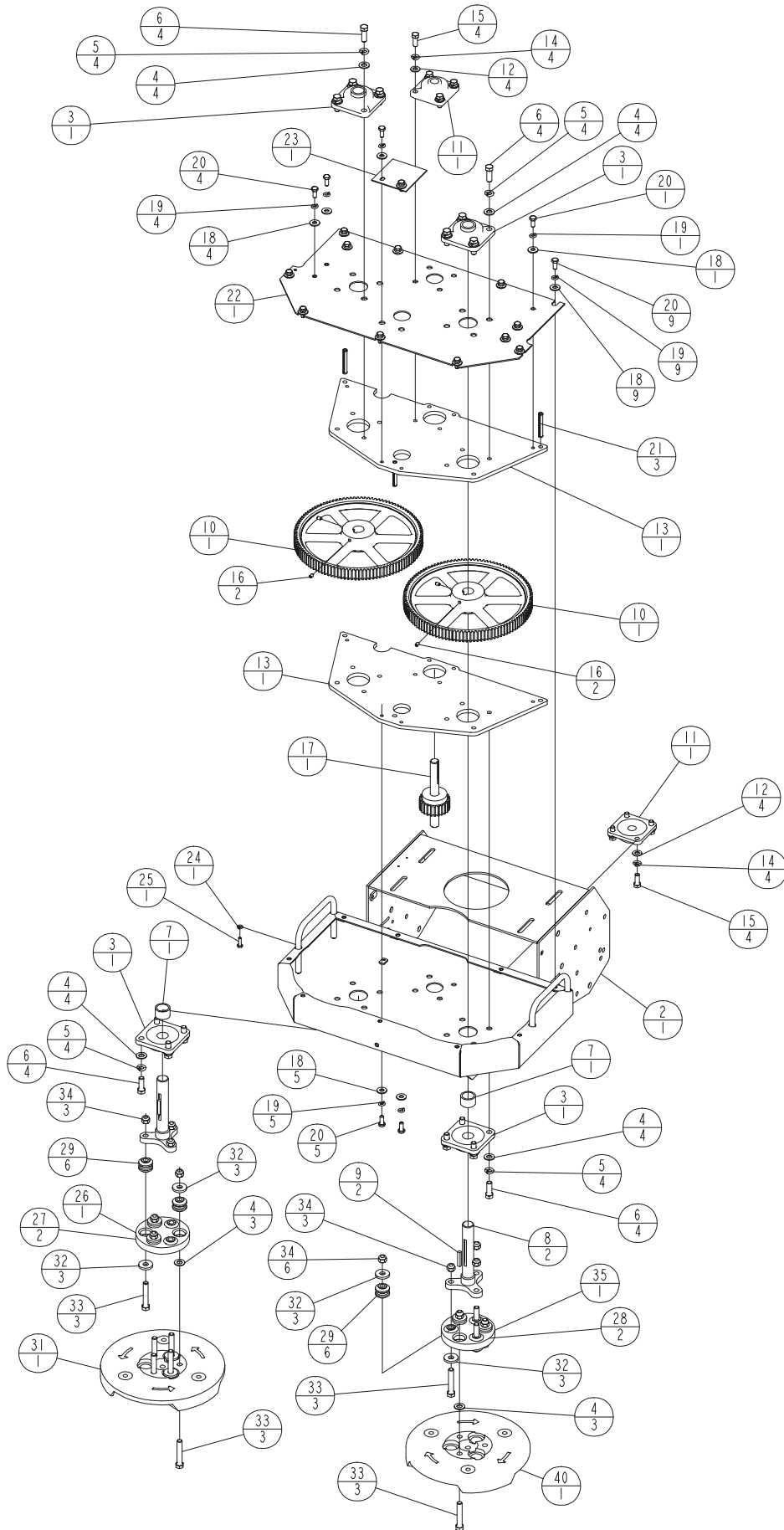


Diagram 7 Parts List – Gearbox Assembly, All Models

ITEM	P/N	DESCRIPTION	QTY
1	177842	Gearbox Assembly (Includes Items 2-45)	1
2	177834	Frame Weldment	1
3	177728	Bearing, 1.00 Dia Bore	4
4	177816	Washer, Flat .438 Dia SAE	16
5	020787	Lockwasher, Split .438 Dia	16
6	020375	Capscrew, Hex Hd .438-14UNC x 1.25	16
7	177733	Spacer, 112T Gear	2
8	177739	Spindle Shaft Weldment	2
9	020041	Key, Square .250 x 1.50 Lg	2
10	177729	Gear, 112T (Casting)	2
11	177734	Bearing, .750 Dia Bore	2
12	020764	Washer, Flat .375 SAE	8
13	177732	Plate, Bearing	2
14	020786	Lockwasher, Split .375 Dia	8
15	020323	Capscrew, Hex Hd .375-16UNC x 1.00	8
16	020541	Screw, Set Soc Cup Pt .250-20UNC x .375	4
17	177832	Gear & Shaft Weldment	1
18	020742	Washer, Flat .313 Dia	19
19	020785	Lockwasher, Split .312 Dia	19
20	197227	Capscrew, Hex Hd M8 x 1.25 x 20mm	19
21	177738	Roll Pin, .375 Dia x 2.50	3
22	177835	Top Gearbox Cover	1
23	177874	Lubrication Port Cover	1
24	020784	Lockwasher, Split .250 Dia	1
25	139761	Capscrew, Hex Hd M6 x 1.0 x 20mm	1
26	-----	Accessory Disk Assembly, RH - Complete	1
27	177847	Drive Plate Assy (Includes Items 28-29)	1
28	-----	Drive Plate	1
29	177727	Isolator, Rubber	6
30	177816	Washer, Flat .438 Dia SAE	3
31	177742	Disk, RH (Machined)	1
32	177947	Washer, Sp 1.25 OD x .469 ID x .188	6
33	176136	Capscrew, Hex Hd .438-14UNC x 2.50	6
34	020210	Locknut, Fiber .438-14UNC	3
35	-----	Accessory Disk Assembly, LH - Complete	1
36	177847	Drive Plate Assy (Includes Items 37-38)	1
37	-----	Drive Plate	1
38	177727	Isolator, Rubber	6
39	177816	Washer, Flat .438 Dia SAE	3
40	177744	Disk, LH (Machined)	1
41	177947	Washer, Sp 1.25 OD x .469 ID x .188	6 (Effective S/N 323831)
42	176136	Capscrew, Hex Hd .438-14UNC x 2.50	6
43	020210	Locknut, Fiber .438-14UNC	3
44	020210	Locknut, Fiber .438-14UNC	6
45	177763	Grease (Qty in Ounces)	24

Diagram 8 – Water Tank Kit (Optional) – P/N 177855 Complete Kit

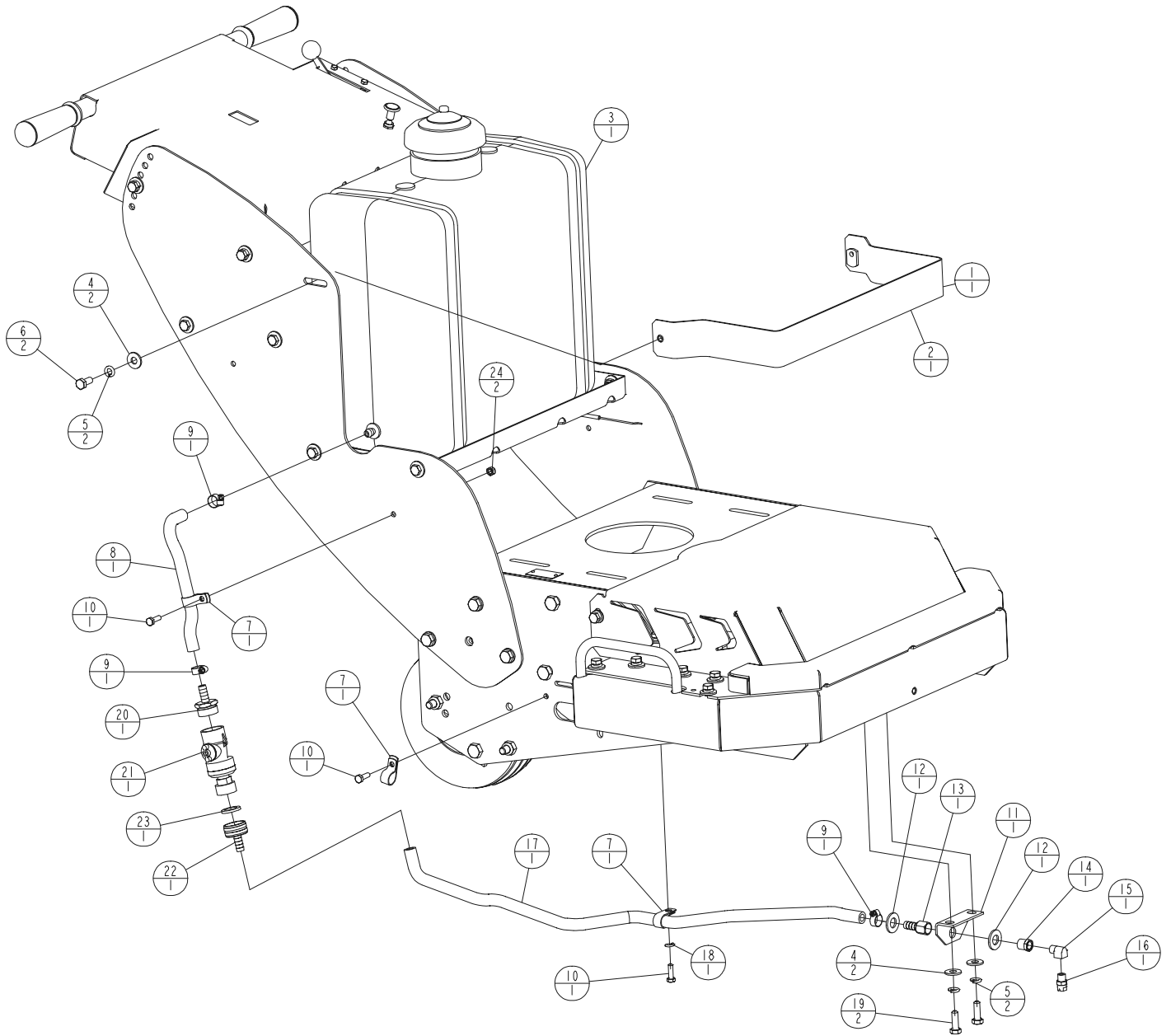


Diagram 8 Parts List – Water Tank Kit (Optional) – P/N 177855 Complete Kit

ITEM	P/N	DESCRIPTION	QTY
1	177855	Water Tank Kit (Complete-Includes Items 2 - 24)	1
2	177778	Water Tank Bracket	1
3	174648	Water Tank (w/ Cap), 7 Gallon	1
3a	178863	Cap, Water Tank, 7 Gallon	1
4	020742	Washer, Flat .313 Dia	4
5	020785	Lockwasher, Split .312 Dia	4
6	197227	Capscrew, Hex Hd M8 x 1.25 x 20mm	2
7	166673	Clamp, Vinyl Coated 1/4 Hole x 5/8 ID	3
8	139722B	Hose, 3/8 ID (139722 Bulk Qty In Inches = 8.5)	1
9	020049	Hose Clamp, Worm Drive	3
10	139761	Capscrew, Hex Hd M6 x 1.0 x 20mm	3
11	177813	Water Outlet Bracket	1
12	020766	Washer, Flat .500 SAE	2
13	030654	Adapter, 1/4 NPT x 3/8 Barb	1
14	020875	Bushing, Hex 1/4 NPT Male x 1/8 NPT Female	1
15	020811	Fitting, Elbow, Street 1/8 NPT x 90 Degree	1
16	048902	Nozzle, 1/8 NPT	1
17	139722A	Hose, 3/8 ID (139722 Bulk Qty In Inches = 25)	1
18	020784	Lockwasher, Split .250 Dia	1
19	167478	Capscrew, Hex Hd M8 x 1.25 x 25mm	2
20	174016	Fitting, Hose Barb 3/8 ID x 3/4 Male	1
21	174741	Kit: Quick Disconnect Garden Hose w/Valve	1
22	174020	Fitting, Hose Barb 3/8 ID x 3/4 Female	1
23	040254	Washer, Hose	1
24	139745	Locknut, Fiber M6 x 1.0	2

Assembly of Kit (Use Diagram 8 for reference):

1. *Before starting the assembly of this kit:*
 - a) *To improve access to the underside of the gearbox, it may be required to temporarily remove the Front Shield (Diagram 1- Item 18 or Diagram 2 - Item 28). Be sure to re-install this item when this kit is completely installed. Do Not remove the Dust Port Weldment (Diagram 1- Item 19, or Diagram 2 – Item 29), even if it must be temporarily held in place with its attaching hardware.*
 - b) *Make sure that the Valve (Item 21) is assembled so that when the valve halves are disconnected, the ON / OFF lever is located on the water tank side of the assembly. This will allow removal of the tank from the machine, even if it contains water.*
 - c) *Rotate the Dust Shield Cover (Diagram 1 – Item 20, or Diagram 2 – Item 30) to the open position by loosening the two (2) Capscrews that hold it in position. Tighten the hardware to secure the Dust Shield Cover in the OPEN position.*
2. *Assemble the Water Outlet Bracket (Item 11) to the underside of the gearbox. Remove the two (2) existing Capscrews located under the gearbox at the front of the machine. The fittings could be already assembled, but if not assemble them as shown in Diagram 8.*
3. *Secure the Water Tank (Item 3) in position by using the Bracket (Item 2) and attaching hardware.*
4. *Attach the Hose (Item 8) to the Water Tank (Item 3) and secure the Hose Clamp (Item 9). Again, make sure that the Water Valve (Item 21) is properly assembled (Per Note 1b shown above).*
5. *Route the Hoses (Item 8 & Item 17) as shown in Diagram 8. Be sure to route the hose through the side of the frame, and through the open Dust Shield Cover (Step 1c). Put the Hose Clamp (Item 9) onto the Hose (Item 17), and then push the hose over the end of the Hose Adapter (Item 13). Securely tighten the Clamp onto the barb end of the Adapter.*
6. *Install the Vinyl Hose Clamps (Item 7) in the positions shown in Diagram 8.*
7. *Re-install the Front Shield if it was removed in step 1a.*

Diagram 9 – Weight Kit (Optional) – P/N 177856 Complete Kit

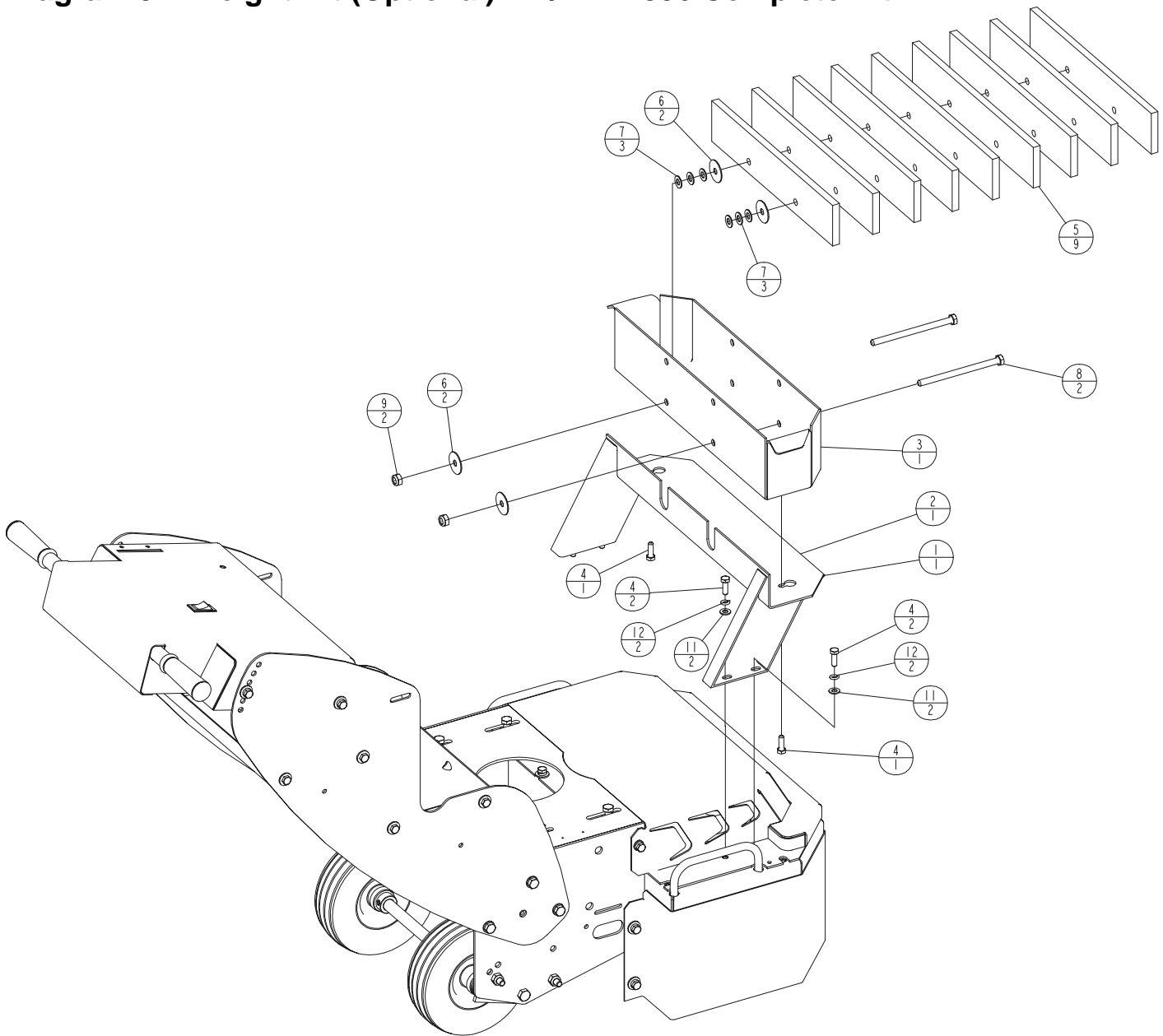


Diagram 9 Parts List – Weight Kit (Optional) – P/N 177856 Complete Kit

ITEM	P/N	DESCRIPTION	QTY
1	177856	Weight Kit (Complete-Includes Items 2-12)	1
2	177809	Weight Tray Weldment	1
3	177811	Weight Box Weldment	1 [Max. Capacity: 18 Bars (Item 5)]
4	167478	Capscrew, Hex Hd M8 x 1.25 x 25mm	6
5	180418	Bar, Weight, (6.5 Lbs. each)	9
6	177890	Washer, Flat 1.50 OD x .406 ID x .062 Thk	4
7	020764	Washer, Flat .375 SAE	6
8	166613	Capscrew, Hex Hd M10 x 1.50 x 150mm	2
9	139748	Locknut, Fiber M10 x 1.50	2
10	071331	Carton, Plain	1
11	020763	Washer, Flat .312 SAE	4
12	020785	Lockwasher, Split .312 Dia	4

Diagram 10 – Diamond Disk Adapter Kit (Optional) – P/N 177861 Complete Kit

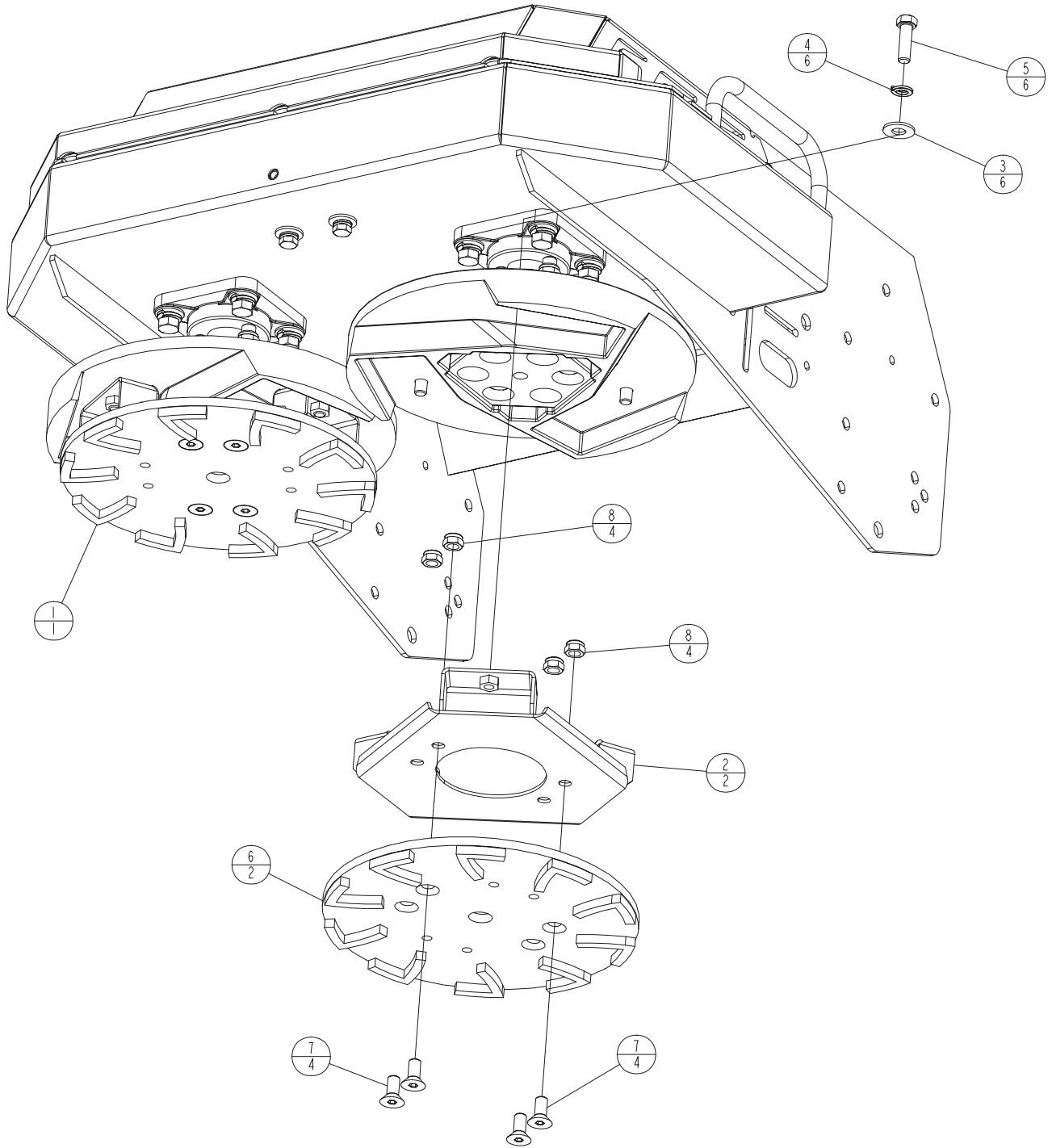


Diagram 10 Parts List – Adapter Kit (Optional) – P/N 177861 Complete Kit

ITEM	P/N	DESCRIPTION	QTY
1	177861	Adapter Kit, Diamond Disk (Item 2-5, 7, 8)	1
2	177887	Diamond Disk Adapter	2
3	020743	Washer, Flat .375 Dia	6
4	020786	Lockwasher, Split .375 Dia	6
5	048740	Capscrew, Hex Hd .375-16UNC x 1.25	6
6	-----	Diamond Disk, 10 Inch Dia (Not Included)	2
7	177889	Capscrew, Soc Flat Hd .375-16UNC x .875	8
8	020199	Locknut, Fiber .375-16UNC	8

Diagram 11 – Star Cutter Assy, P/N 177825 (6 Required per Machine)

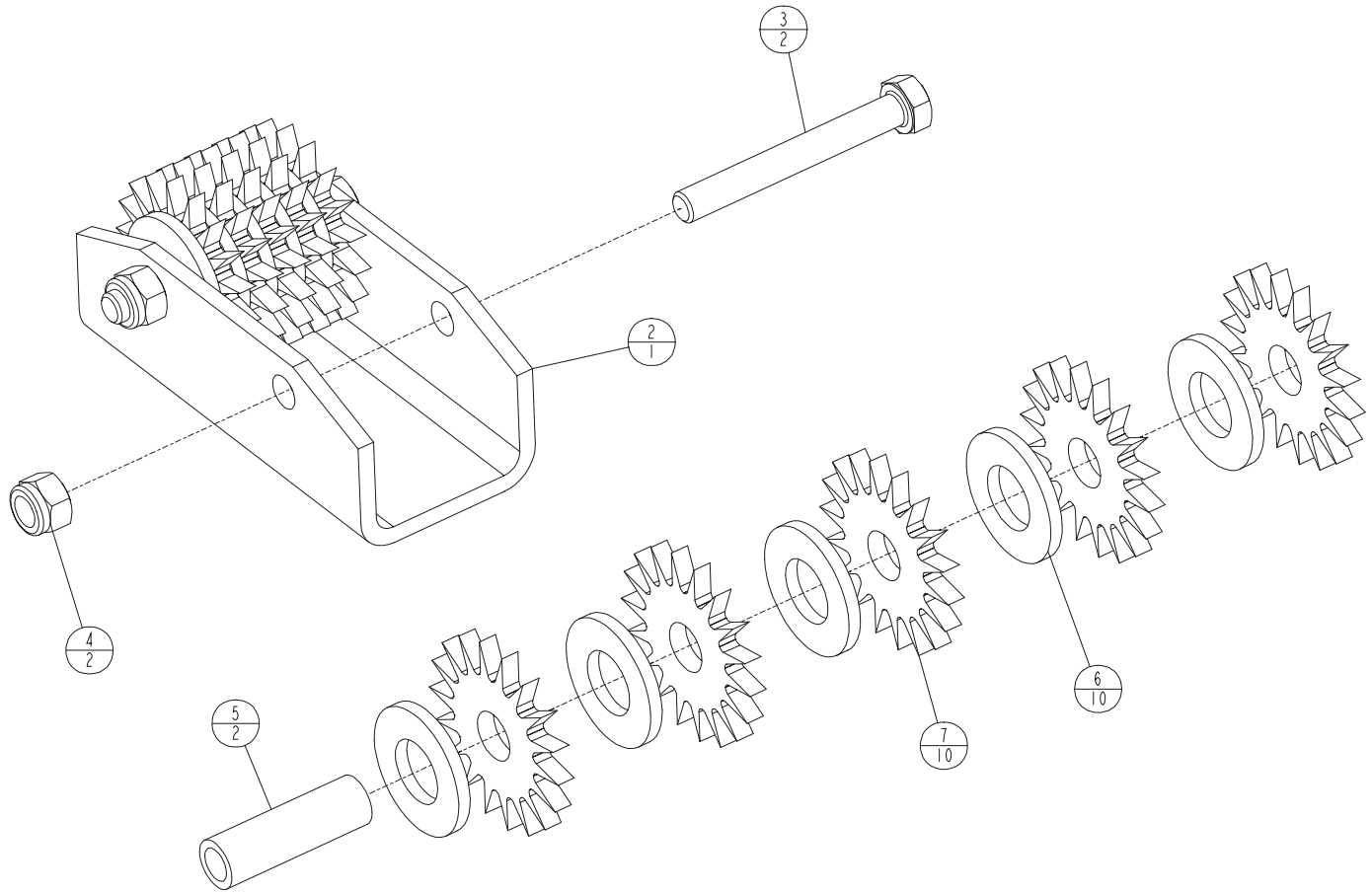


Diagram 11 Parts List – Star Cutter Assy – P/N 177825 (6 Required Per Machine)

ITEM	P/N	DESCRIPTION	QTY
1	177825	Star Cutter Assembly	1
2	177862	Cutter Wheels Bracket	1
3	020354	Capscrew, Hex Hd .312-18UNC x 2.50	2
4	020197	Locknut, Fiber .3125-18UNC	2
5	177865	Cutter Wheel Spacer, 1/2 OD	2
6	020767	Washer, Flat, .625 Dia SAE	12

Note: Depending on their thickness, 2 washers (Item 6) could be required on one end of each row of cutters. If the washers are thicker, then the quantity (10) shown in the diagram will be correct, and 2 washers can be eliminated from the assembly.

7	177826	Star Cutter Wheel	10
---	--------	-------------------	----

Parts List Callout Designation:

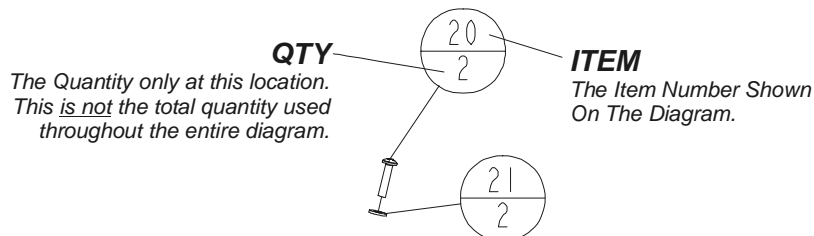


Diagram 12 – Beam Cutter Assy, P/N 177827 (6 Required per Machine)

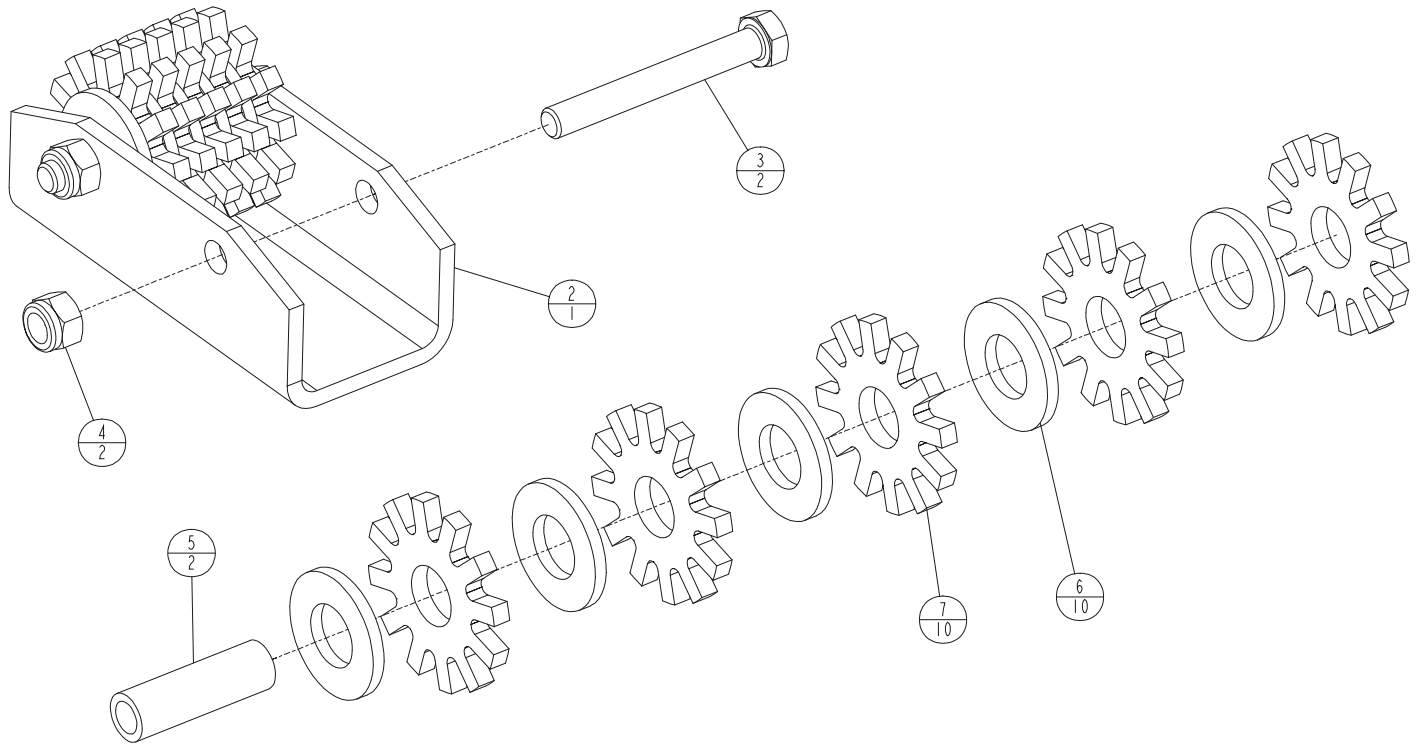


Diagram 12 Parts List – Beam Cutter Assy – P/N 177827 (6 Required Per Machine)

ITEM	P/N	DESCRIPTION	QTY
1	177827	Beam Cutter Assembly	1
2	177862	Cutter Wheels Bracket	1
3	020354	Capscrew, Hex Hd .312-18UNC x 2.50	2
4	020197	Locknut, Fiber .3125-18UNC	2
5	177865	Cutter Wheel Spacer, 1/2 OD	2
6	020767	Washer, Flat, .625 Dia SAE	12
7	177828	Beam Cutter Wheel	10

Note: Depending on their thickness, 2 washers (Item 6) could be required on one end of each row of cutters. If the washers are thicker, then the quantity (10) shown in the diagram will be correct, and 2 washers can be eliminated from the assembly.

Parts List Callout Designation:

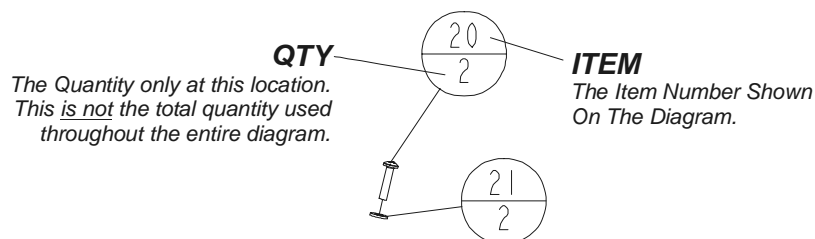


Diagram 13 – Tungsten Carbide Cutter Assy, P/N 177829

(6 Required per Machine)

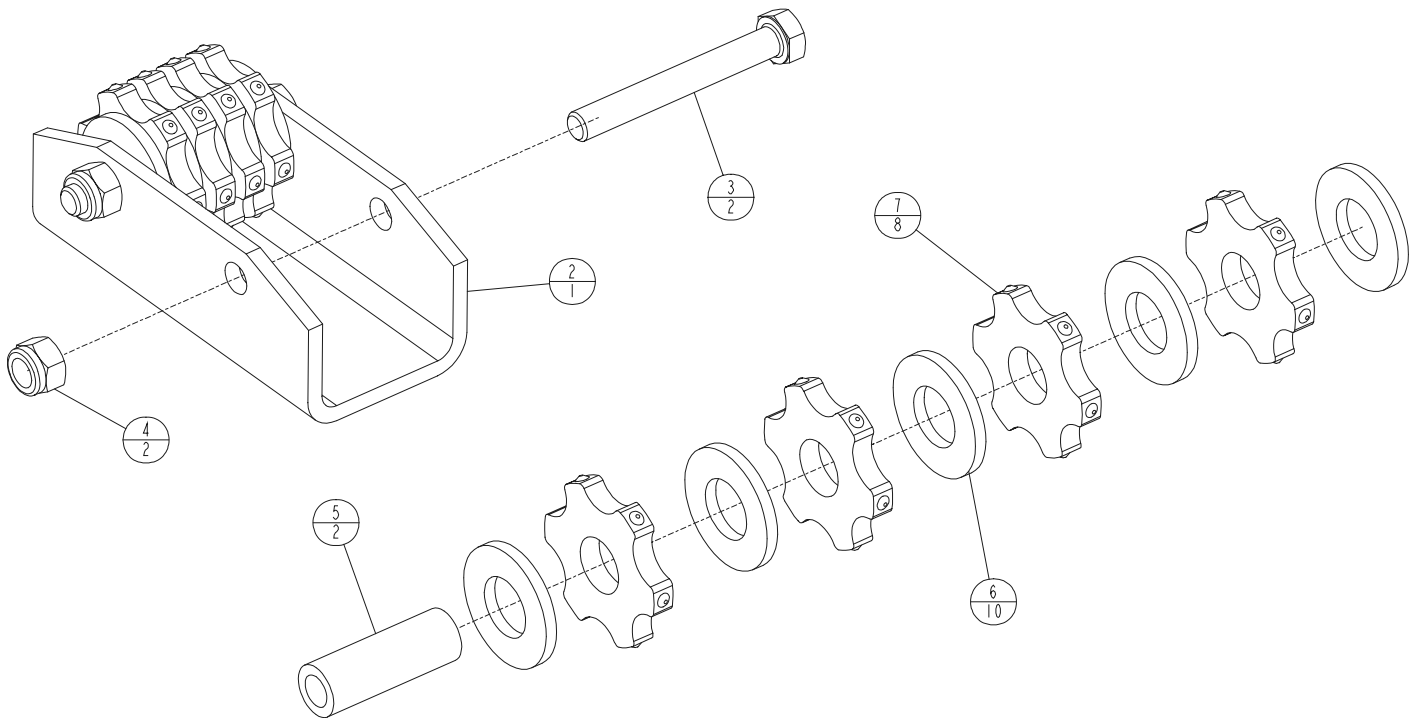


Diagram 13 Parts List – Tungsten Carbide Cutter Assy – P/N 177829

(6 Required Per Machine)

1	177829	TC Cutter Assembly	1
2	177862	Cutter Wheels Bracket	1
3	020354	Capscrew, Hex Hd .312-18UNC x 2.50	2
4	020197	Locknut, Fiber .3125-18UNC	2
5	177864	Cutter Wheel Spacer, 5/8 OD	2
6	020767	Washer, Flat, .625 Dia SAE	10
7	177830	TC Cutter Wheel	8

Parts List Callout Designation:

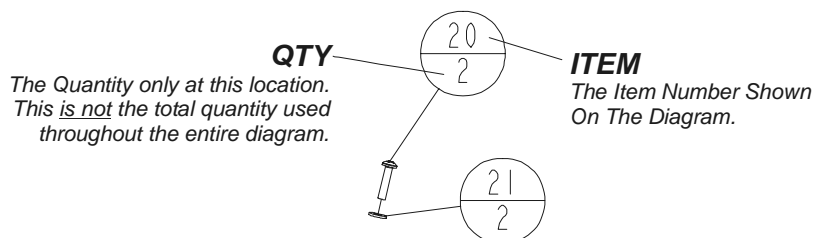
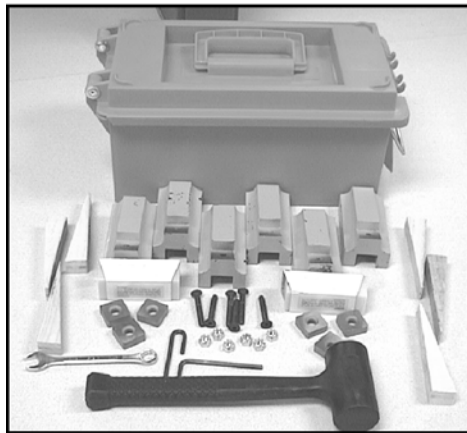
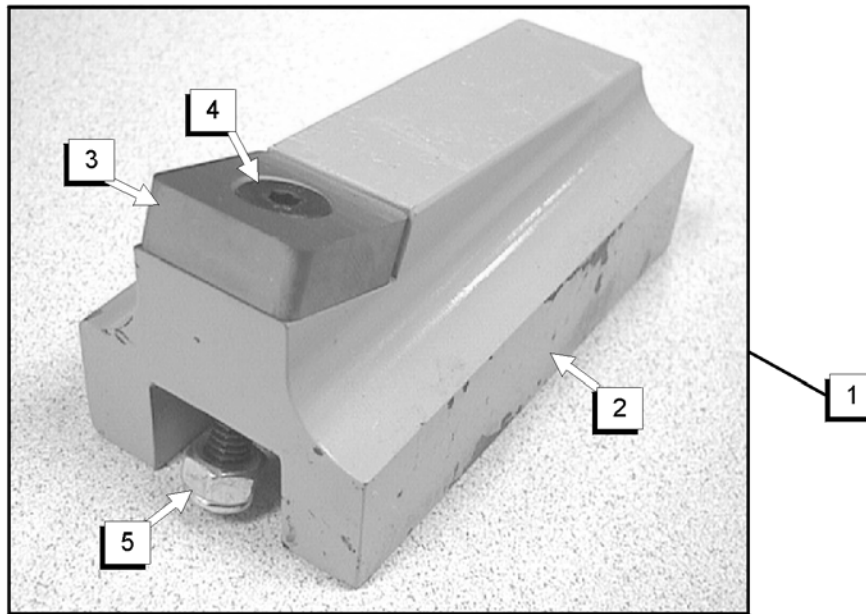
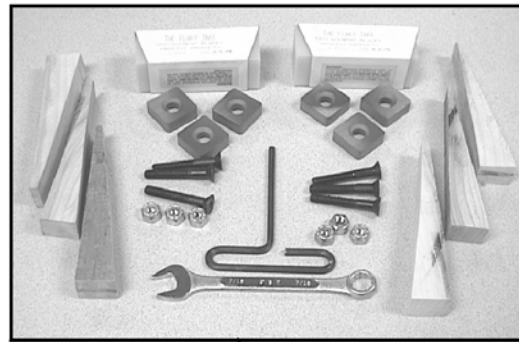


Diagram 14 – Tungsten Carbide Block Assy (Complete Kit P/N 177823)



6



7

Diagram 14 Parts List – Tungsten Carbide Block Assy

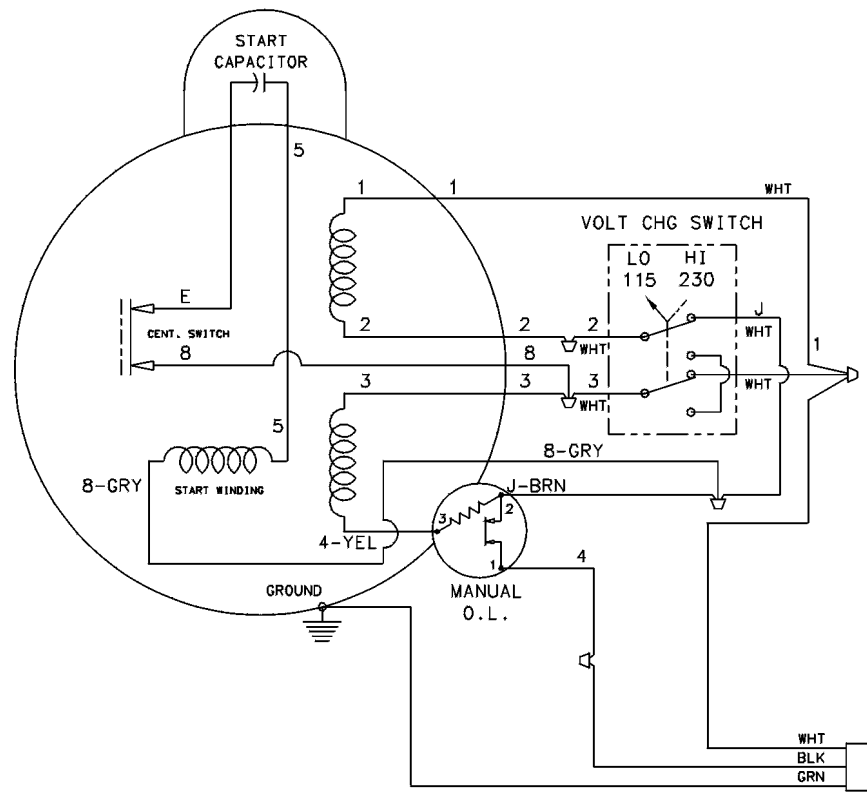
ITEM	P/N	DESCRIPTION	QTY
1	190097	Carbide Cutter Assy (Includes Items 2-5)	1
2	-----	Block, Cutter	1
3	-----	Cutter, Tungsten Carbide	1
4	-----	Screw, Flat Socket Head, ¼-20 x 1.75" Lg.	1
5	020195	Locknut, Fiber, ¼-20UNC	1
6	177823	Kit, Complete, Tungsten Carbide Cutter (Includes 6 Blocks, 6 Tungsten Carbide Cutters, Hardware, Installation Tools, 6 Wooden Wedges, and Carrying Case)	1
7	177824	Kit, Replacement Cutters (Includes 6 Tungsten Carbide Cutters, 6 Wooden Wedges, Hardware, and Tools To Mount Cutters)	1

Note: Nut (Item 5) Shown Loose For Photographic Purposes Only.

Diagram 15 – Wiring Diagram, 1.5hp Electric Model

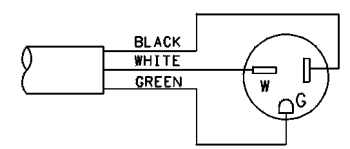
MOTOR PART NO. 177771
 BALDOR SPEC. NO.: 36F57-385
 1 1/2 HP, 1725 RPM, T.E.F.C.
 115/230V, 60 Hz, 1 PHASE
 19/9.5 FULL LOAD AMPS

PART NO.	SERVICE ITEMS
177747	ON/OFF SWITCH
030141	VOLT.CHANGE SWITCH
TPCRT31CA	MANUAL O.L.
	{Baldor PN}
110051	START CAPACITOR
	{850 Mfd/115V}

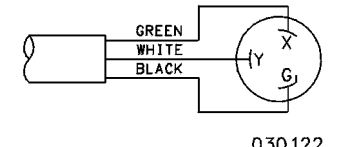


NOTE:
 1. ROTATION IS CLOCK WISE (CW) FACING END
 OPPOSITE THE SHAFT EXTENSION.

USE 115V PLUG
 (WHEN REQUIRED)

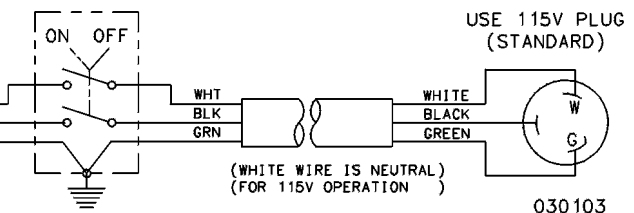


230V PLUG
 (WHEN REQUIRED)



030122
 TWIST-LOCK
 LINE PLUG
 (L6-15P)

USE 115V PLUG
 (STANDARD)



030103
 TWIST-LOCK
 LINE PLUG
 (L5-20P)