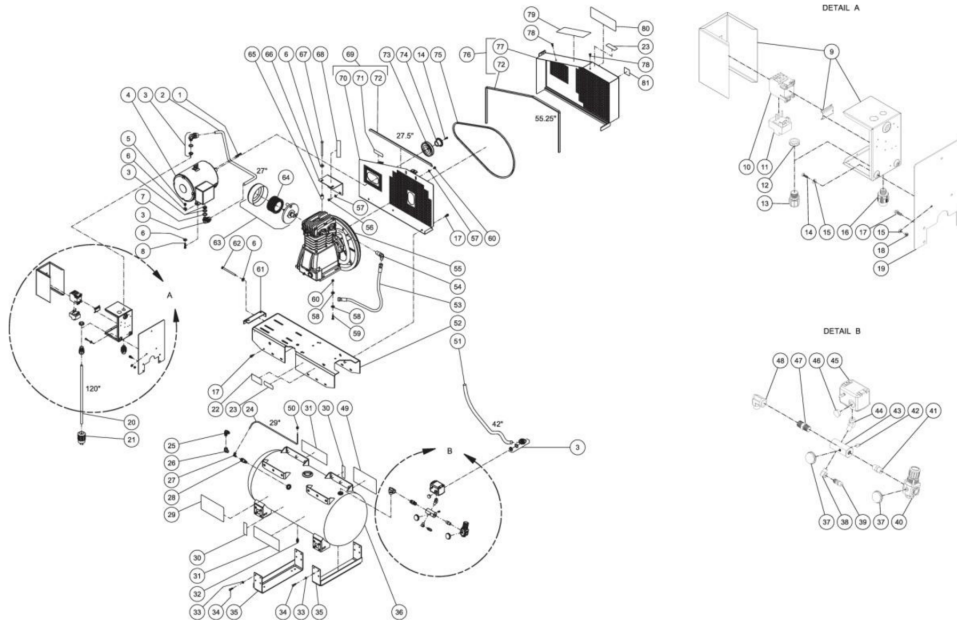




AS2-S305-30M / AS2-S305-30M (sn:0-99999999)

TANK ASSEMBLY



Id	Item #	Description	Quantity	Rev	Comments
1	43-0078	KEY	1		
2	32-0253	CONDUIT *(THREE FEET REQUIRED)	1		
3	32-0254	CONDUIT ELBOW	3		
4	2-0151	MOTOR- 5.0 HP	1		
5	30-0159	LOCKNUT	4		
6	28-0023	FLATWASHER	11		
7	32-0814	REDUCER WASHER	2		
8	27-0118	BOLT	4		
9	32-0890	ELECTRICAL BOX	1		
10	32-0235	CONTACTOR	1		
11	32-0482	OVERLOAD RELAY	1		
12	32-0292	LOCKNUT	1		
13	9-0046	CORD RELIEF	1		
14	27-0015	BOLT	5		
15	28-0002	WASHER	6		
16	32-0255	CONDUIT FITTING	1		

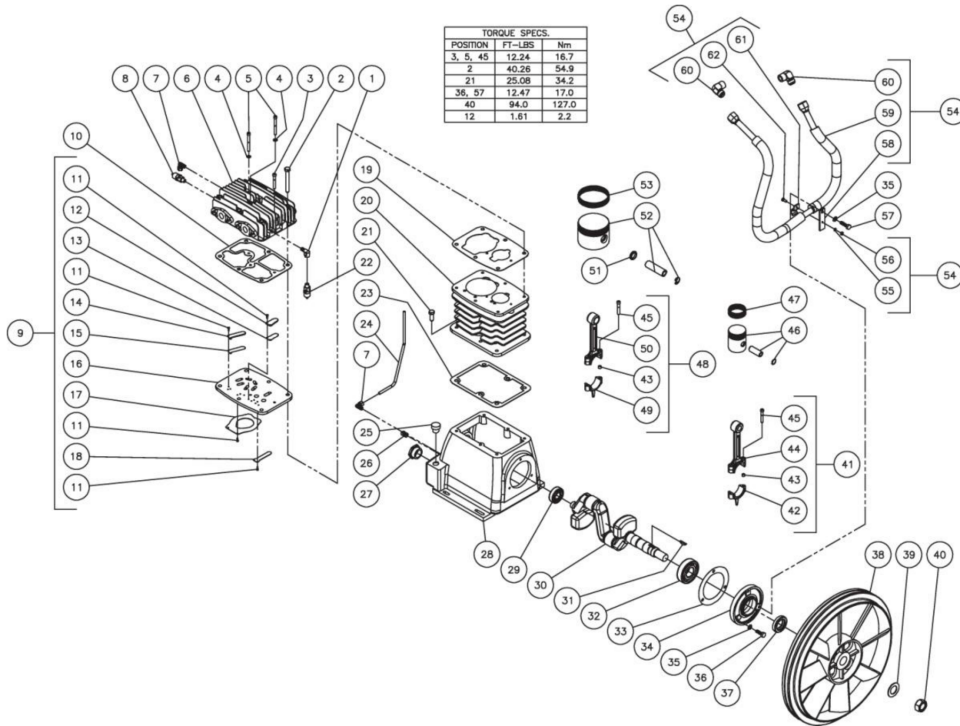
Id	Item #	Description	Quantity	Rev	Comments
17	27-9524	BOLT	19		
18	30-0155	LOCKNUT	3		
19	13-0164A01	ELECTRIC PLATE	1		
20	32-0025	CORD *(TEN FEET REQUIRED)	1		
21	32-0118	PLUG	1		
22	N/A	DECAL- DATA PLATE	1		
23	N/A Sep.	DECAL- WARNING: RISK OF BURNS (SEE 34-9036)	2		
24	54-0034	TUBE *(THREE FEET REQUIRED)	1		
25	24-0092	ELBOW	1		
26	24-0042	ELBOW	1		
27	23-0316	ELBOW	1		
28	22-0334	CHECK VALVE	1		
29	N/A Sep.	DECAL- DANGER/WARNING/CAUTION (SEE 34-9036)	1		
30	N/A Sep.	DECAL- TANK DRAIN (SEE 34-9036)	2		
31	34-0828	DECAL- MI-T-M AIR COMPRESSOR	2		
32	23-0312	PETCOCK	1		
33	29-0007	LOCKWASHER	16		
34	27-0067	BOLT	16		
35	20-0671A01	SUPPORT FOOT BRACKET	1		
36	N/A	AIR TANK ASSEMBLY	2		
37	22-0271	PRESSURE GAUGE	2		
38	23-0014	ELBOW	1		
39	22-0267	PRESSURE RELIEF VALVE	1		
40	22-0231	ADJUSTABLE REGULATOR	1		
41	24-0010	NIPPLE	1		
42	24-0082	PLUG	1		
43	24-0266	MANIFOLD	1		
44	24-0278	ELBOW	1		
45	22-0277	PRESSURE SWITCH	1		
46	39-0014	PLUG	1		
47	24-0031	NIPPLE	1		
48	24-0006	ELBOW	1		
49	N/A Sep.	DECAL- DANGER/WARNING/CAUTION (SEE 34-9036)	1		
50	23-0315	COMPRESSION NUT	1		
51	32-0253	CONDUIT FLEX *(FOUR FEET REQUIRED)	1		
52	5-0198A01	BASEPLATE	1		
53	15-0243	HOSE	1		
54	24-0075	ELBOW	1		
55	3-0233	COMPRESSOR PUMP	1		

Id	Item #	Description	Quantity	Rev	Comments
56	27-0066	BOLT	2		
57	28-0003	WASHER	4		
58	28-0022	WASHER	8		
59	27-0068	BOLT	4		
60	30-0157	LOCKNUT	6		
61	20-0461A01	BELT TENSIONER PLATE	1		
62	27-0133	BOLT	1		
63	19-0225	FILTER CANISTER	1		
64	19-0226	FILTER REPLACEMENT	1		
65	33-0425	SPACER	2		
66	20-0734A01	ANGLE BRACKET	1		
67	27-0131	BOLT	2		
68	N/A Sep.	DECAL- CHECK OIL TAPE (SEE 34-9036)	1		
69	854-0066	BELTGUARD BACK ASSEMBLY (INC. 79-81)	1		
70	N/A Sep.	BELTGUARD BACK (SEE 854-0066)	1		
71	N/A Sep.	DECAL- WARNING: BELTGUARD IN PLACE (SEE 34-9036)	1		
72	33-0020	EDGING *(SEVEN FEET REQUIRED)	1		
73	10-0099	SHEAVE	1		
74	9-0010	BUSHING	1		
75	11-0058	DRIVE BELT	1		
76	854-0067	BELTGUARD COVER ASSEMBLY (INC. 81, 86)	1		
77	N/A Sep.	BELTGUARD FRONT (SEE 854-0067)	1		
78	33-0197	FASTENER	2		
79	N/A Sep.	DECAL- OPERATION INSTRUCTIONS (SEE 34-9036)	1		
80	N/A Sep.	DECAL- MAINTENANCE INSTRUCTIONS (SEE 34-9036)	1		
81	N/A Sep.	DECAL- ROTATION DIRECTION (SEE 34-9016)	1		
	34-9036	DECAL KIT (INC. 25, 30, 31, 40, 61, 77, 80, 88-90)			
		*MUST ORDER IN ONE FOOT LENGTHS			



AS2-S305-30M / AS2-S305-30M (sn:0-99999999)

COMPRESSOR PUMP



Id	Item #	Description	Quantity	Rev	Comments
1	23-0118	ELBOW	1		
2	27-0576	BOLT	6		
3	27-9559	SCREW	1		
4	N/A Sep.	FLAT WASHER (SEE 70-0364 OR 70-0371)	2		
5	27-9558	SCREW	1		
6	46-1119	CYLINDER HEAD	1		
7	23-0316	ELBOW	2		
8	22-0362	LOW PRESSURE SAFETY VALVE	1		
9	46-1094	VALVE PLATE (INC. 11-18)	1		
10	N/A Sep.	VALVE PLATE GASKET (SEE 70-0361 OR 70-0366)	1		
11	27-9561	SCREW	12		
12	N/A Sep.	VALVE STOP 1 (SEE 46-1094 OR 70-0366)	2		
13	N/A Sep.	VALVE 1 (SEE 46-1094 OR 70-0366)	2		
14	N/A Sep.	VALVE STOP 2 (SEE 46-1094 OR 70-0366)	2		

Id	Item #	Description	Quantity	Rev	Comments
15	N/A Sep.	VALVE 2 (SEE 46-1094 OR 70-0366)	2		
16	N/A Sep.	VALVE PLATE (SEE 46-1094)	1		
17	N/A Sep.	VALVE 3 (SEE 46-1094 OR 70-0366)	1		
18	N/A Sep.	VALVE 4 (SEE 46-1094 OR 70-0366)	1		
19	N/A Sep.	VALVE PLATE GASKET (SEE 70-0361 OR 70-0366)	1		
20	46-1120	CYLINDER	1		
21	27-0117	BOLT	6		
22	22-0361	HIGH PRESSURE SAFETY VALVE	1		
23	N/A Sep.	CRANKCASE GASKET (SEE 70-0361)	1		
24	33-0415	CRANKCASE BREATHER TUBE	1		
25	46-1121	OIL FILL PLUG	1		
26	24-0009	PLUG	1		
27	46-1098	OIL SIGHT GLASS	1		
28	46-1122	CRANKCASE	1		
29	48-0081	BEARING	1		
30	46-1123	CRANKSHAFT	1		
31	43-0112	KEY	1		
32	48-0082	BEARING	1		
33	N/A Sep.	FLANGE GASKET (SEE 70-0361)	1		
34	38-0062	FLANGE	1		
35	29-0007	LOCKWASHER	3		
36	27-0067	BOLT	2		
37	26-0274	OIL SEAL	1		
38	10-0124	FLYWHEEL	1		
39	N/A	WASHER	1		
40	N/A	NUT	1		
41	70-0381	CONNECTING ROD	1		
42	N/A Sep.	CONNECTING ROD CAP (SEE 70-0381)	1		
43	N/A Sep.	CONNECTING ROD GUIDE BUSHING (SEE 70-0381 OR 70-0382)	4		
44	N/A Sep.	CONNECTING ROD (SEE 70-0381)	1		
45	N/A Sep.	BOLT (SEE 70-0381 OR 70-0382)	4		
46	46-1101	PISTON	1		
47	70-0362	RING KIT	1		
48	70-0382	LOW PRESSURE CONNECTING ROD KIT	1		
49	N/A Sep.	LOW PRESSURE ROD CAP (SEE 70-0382)	1		
50	N/A Sep.	LOW PRESSURE ROD (SEE 70-0382)	1		
51	9-0078	SPACER BUSHING	2		
52	46-1102	PISTON	1		
53	70-0363	RING KIT	1		

Id	Item #	Description	Quantity	Rev	Comments
54	70-0370	INTERCOOLER KIT	1		
55	N/A Sep.	LOCKWASHER (SEE 70-0365 OR 70-0370)	1		
56	30-6001	NUT	1		
57	27-0068	BOLT	1		
58	N/A Sep.	INTERCOOLER BRACKET ASSEMBLY (SEE 70-0370)	1		
59	N/A Sep.	INTERCOOLER (SEE 70-0370)	1		
60	23-0430	ELBOW	2		
61	N/A Sep.	INTERCOOLER CLAMP ASSEMBLY (SEE 70-0365 OR 70-0370)	1		
62	27-8805	SCREW	1		
KIT	70-0361	GASKET (INC. 10, 19, 23, 33)			
KIT	70-0362	RING (INC. 47)			
KIT	70-0363	RING (INC. 53)			
KIT	70-0365	BRACKET ASSEMBLY (INC. 55-56, 61-62)			
KIT	70-0366	GASKET VALVE (INC. 10-15, 17-19)			
KIT	70-0370	INTERCOOLER (INC. 55-56, 58-62)			
KIT	70-0382	LOW PRESSURE CONNECTING ROD (INC. 43, 45, 49, 50)			
KIT	70-0381	HIGH PRESSURE CONNECTING ROD (INC. 42-45)			