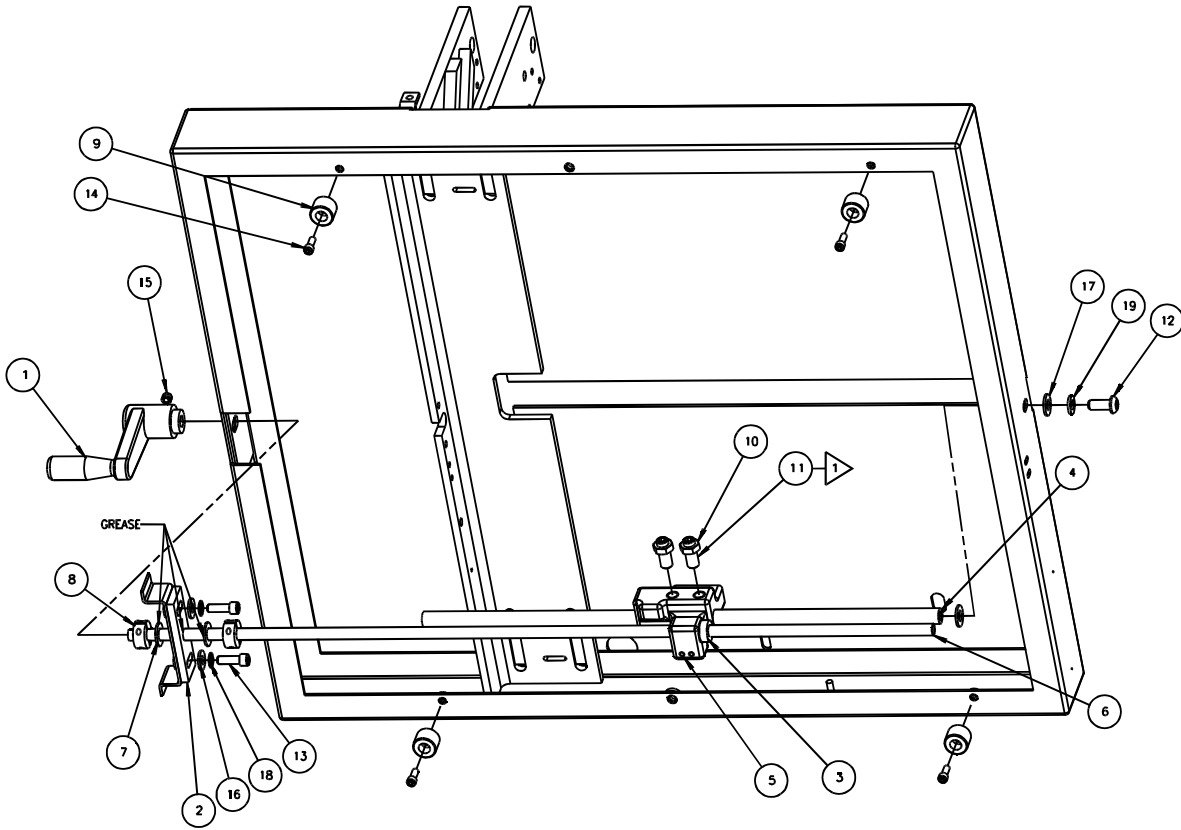


4.0 Parts Lists

4.1 Main Assembly – Backgauge Bracket

61000 Sht. 1



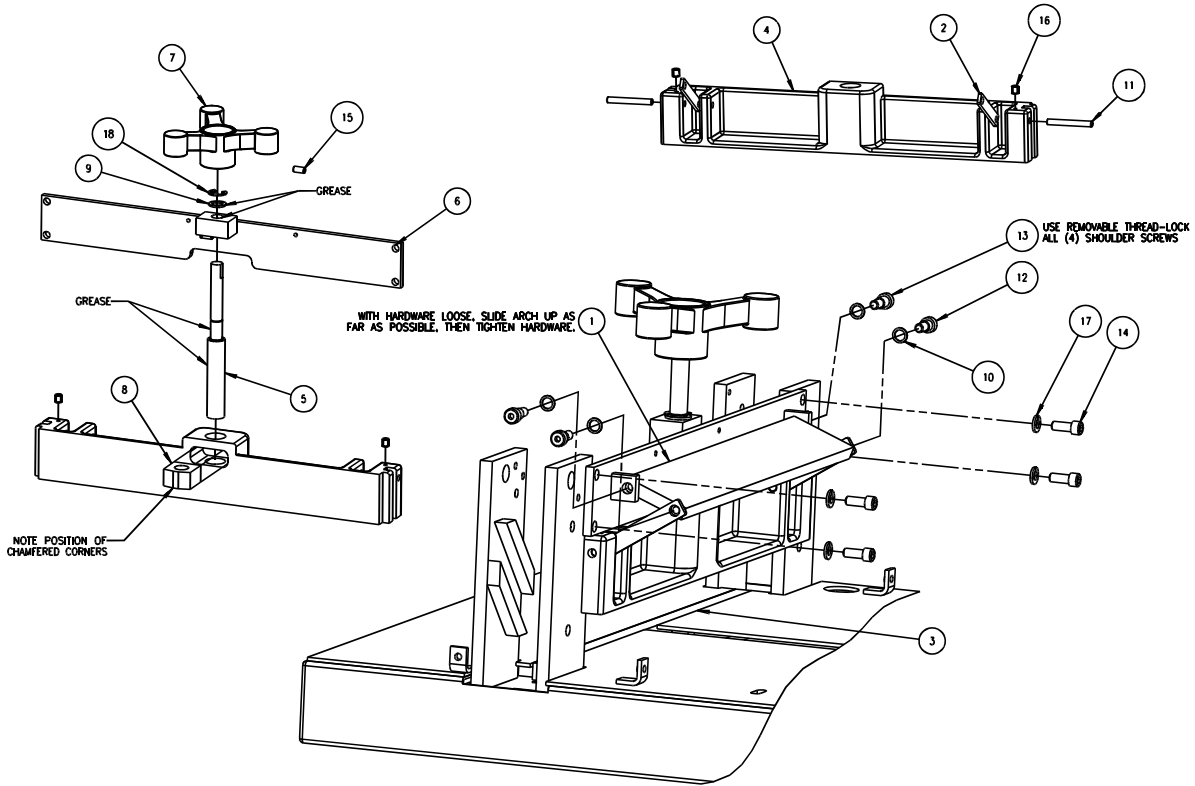
Main Assembly – Backgauge Bracket

61000 Sht. 1

Item	Part No.	Description	Qty.
1	60043	HANDCRANK - BACKGAUGE	1
2	60115	ADJUSTABLE PILLOW BLOCK	1
3	60213	LEADSCREW NUT	1
4	61044	GUIDE SHAFT	1
5	61045	BACKGAUGE NUT- MACHINED	1
6	61047	LEADSCREW	1
7	11288-5	NYLON WASHER	2
8	A-10081-4	SPLIT COLLAR	2
9	A-11074-	FOOT - RUBBER	4
10	H-6424-6	NUT - 3/8-16 HEX JAM	2
11	H-6890-608	SCREW - 3/8-16 X 1 NYLON SOC SET	2
12	H-6910-506	SCREW - 5/16-18 X 3/4 BUTTON HEAD CAP	1
13	H-6918-406	SCREW - 1/4-20 X 3/4 SOCKET HEAD CAP	2
14	H-6918-102404	SCREW - #10-24 X 1/2 SOCKET HEAD CAP	4
15	H-6940-102403	SCREW - #10-24 X 3/16 FLAT SOC SET	1
16	H-7321-4	WASHER - 1/4 SAE PLAIN	2
17	H-7321-5	WASHER - 5/16 SAE PLAIN	2
18	H-7324-8	WASHER - 1/4 INT TOOTH	2
19	H-7327-10	WASHER - 5/16 MEDIUM LOCK	1

4.2 Main Assembly – Clamp

61000 Sht. 2



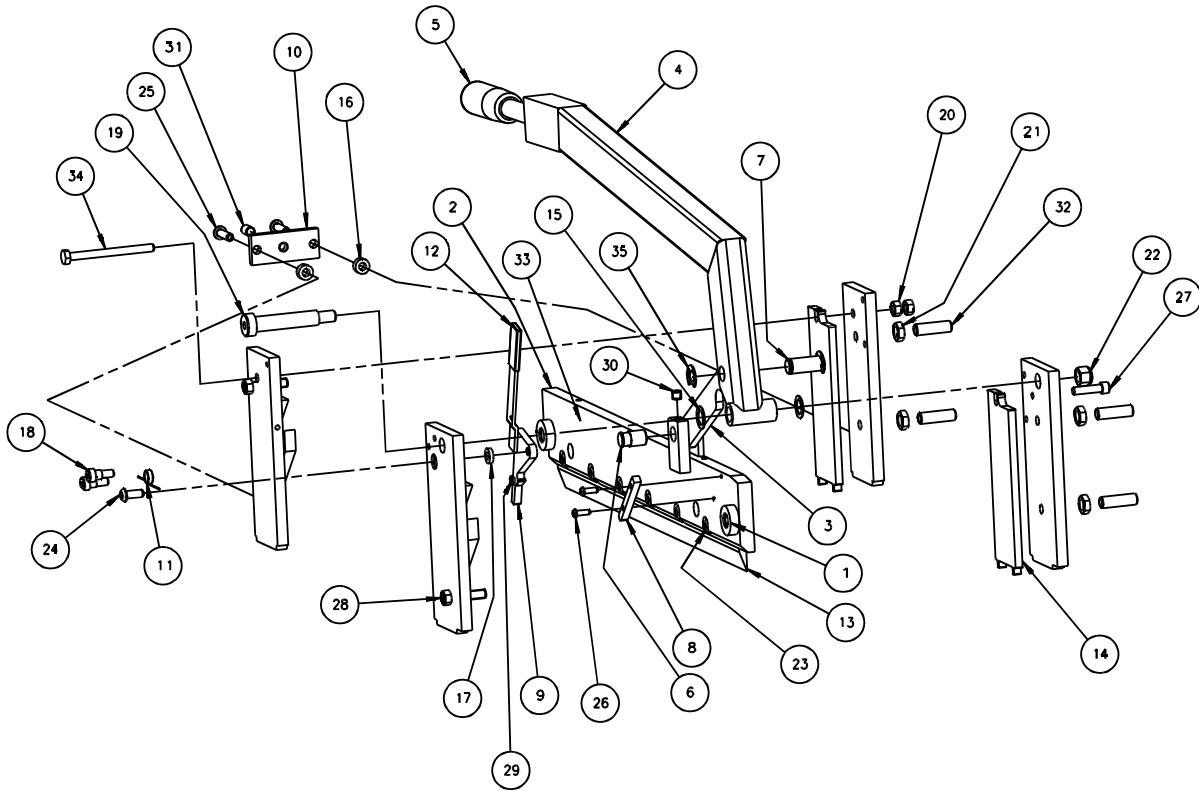
Main Assembly – Clamp

61000 Sht. 2

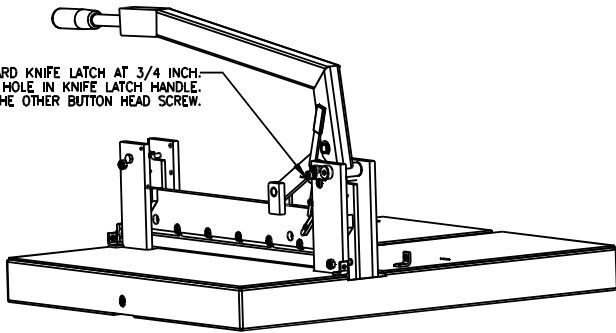
Item	Part No.	Description	Qty.
1	60017	TORSION BAR	1
2	60018	TORSION LINK	2
3	60057	CUT STICK	1
4	61025	CLAMP	1
5	61026	CLAMP LEADSCREW	1
6	61027	ARCH WELDMENT	1
7	61033	THREE-ARM HANDLE- MACHINED	1
8	61066	CLAMP NUT	1
9	20075-10	SHIM	1
10	61065-313032	SHLD SCR SHORTENING SHIM- 5/16	4
11	H-5246-416	DOWEL PIN - 1/4 X 2 HD GD	2
12	H-5254-502	SCREW - 5/16 X 1/4 SHSS	2
13	H-5254-503	SCREW - 5/16 X 3/8 SHSS	2
14	H-6918-405	SCREW - 1/4-20 X 5/8 SOCKET HEAD CAP	4
15	H-6938-408	SCREW - 1/4-20 X 1/2 CUP SOC SET	1
16	H-6938-102405	SCREW - #10-24 X 5/16 CUP SOC SET	2
17	H-7327-8	WASHER - 1/4 MEDIUM LOCK	4
18	S-1193-50	E-RING - 1/2"	1

4.3 Main Assembly – Knife Drive

61000 Sht. 3



BEND LEFT TANG 90° TOWARD KNIFE LATCH AT 3/4 INCH.
HOOK BENT TANG INTO HOLE IN KNIFE LATCH HANDLE.
WRAP OTHER TANG ONTO THE OTHER BUTTON HEAD SCREW.



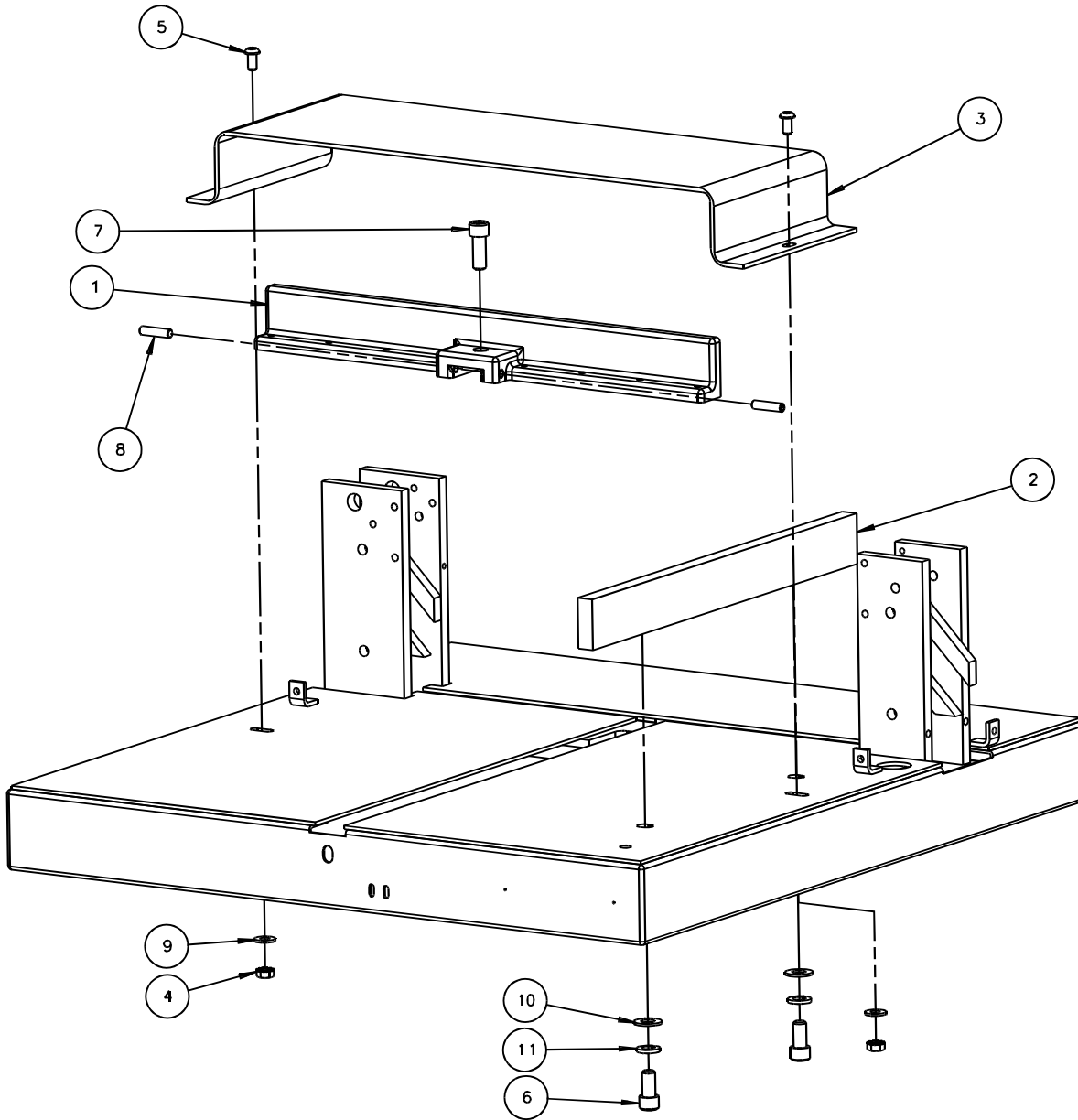
Main Assembly – Knife Drive

61000 Sht. 3

Item	Part No.	Description	Qty.
1	60003	ROLLER	2
2	61015	KNIFE BAR WELDMENT	1
3	61020	KNIFE BAR LINK	1
4	61021	LEVER ARM WELDMENT	1
5	61036	LEVER ARM HANDLE	1
6	61037	KNIFE LINK PIN	1
7	61038	KNIFE LINK PIN	1
8	61039	KNIFE BAR KEEPER	1
9	61042	KNIFE LATCH	1
10	61064	SETSCREW BLOCK	1
11	61071	TORSION SPRING	1
12	61072	KNIFE LATCH CAP	1
13	60011-2	KNIFE- SPARTAN 150 M	1
14	61018-1	GIB	2
15	61065-500032	SHLD SCR SHORTENING SHIM- 1/2	2
16	E-1152-93	STANDOFF	2
17	E-1152-107	STANDOFF	1
18	H-5254-502	SCREW - 5/16 X 1/4 SHSS	2
19	H-5254-818	SCREW - 1/2 X 2-1/4 SHSS	1
20	H-6417-4	NUT - 1/4-20 HEX	4
21	H-6424-6	NUT - 3/8-16 HEX JAM	4
22	H-6442-6	NUT - 3/8-1 NYLOC	1
23	H-6910-403	SCREW - 1/4-20 X 3/8 BUTTON HEAD CAP	6
24	H-6910-405	SCREW - 1/4-20 X 5/8 BUTTON HEAD CAP	1
25	H-6910-408	SCREW - 1/4-20 X 1 BUTTON HEAD CAP	2
26	H-6910-83204	SCREW - #8-32 X 1/2 BUTTON HEAD CAP	2
27	H-6918-408	SCREW - 1/4-20 X 1 SOCKET HEAD CAP	1
28	H-6938-424	SCREW - 1/4-20 X 1-1/2 CUP SOC SET	2
29	H-6939-103204	SCREW - #10-32 X 1/4 CUP SOC SET	1
30	H-6940-404	SCREW - 1/4-20 X 1/4 FLAT SOC SET	1
31	H-6940-508	SCREW - 5/16-18 X 1/2 FLAT SOC SET	1
32	H-6940-620	SCREW - 3/8-16 X 1-1/4 FLAT SOC SET	4
33	H-6940-102416	SCREW - #10-24 X 1 FLAT SOC SET	2
34	H-6992-424	SCREW - 1/4-20 X 3 FULL THD HEX HD	1
35	S-1193-50	E-RING - 1/2	2
36	SU-30-106	GREASE - DAMPENING	1

4.4 Main Assembly – Backgauge

61000 Sht. 4



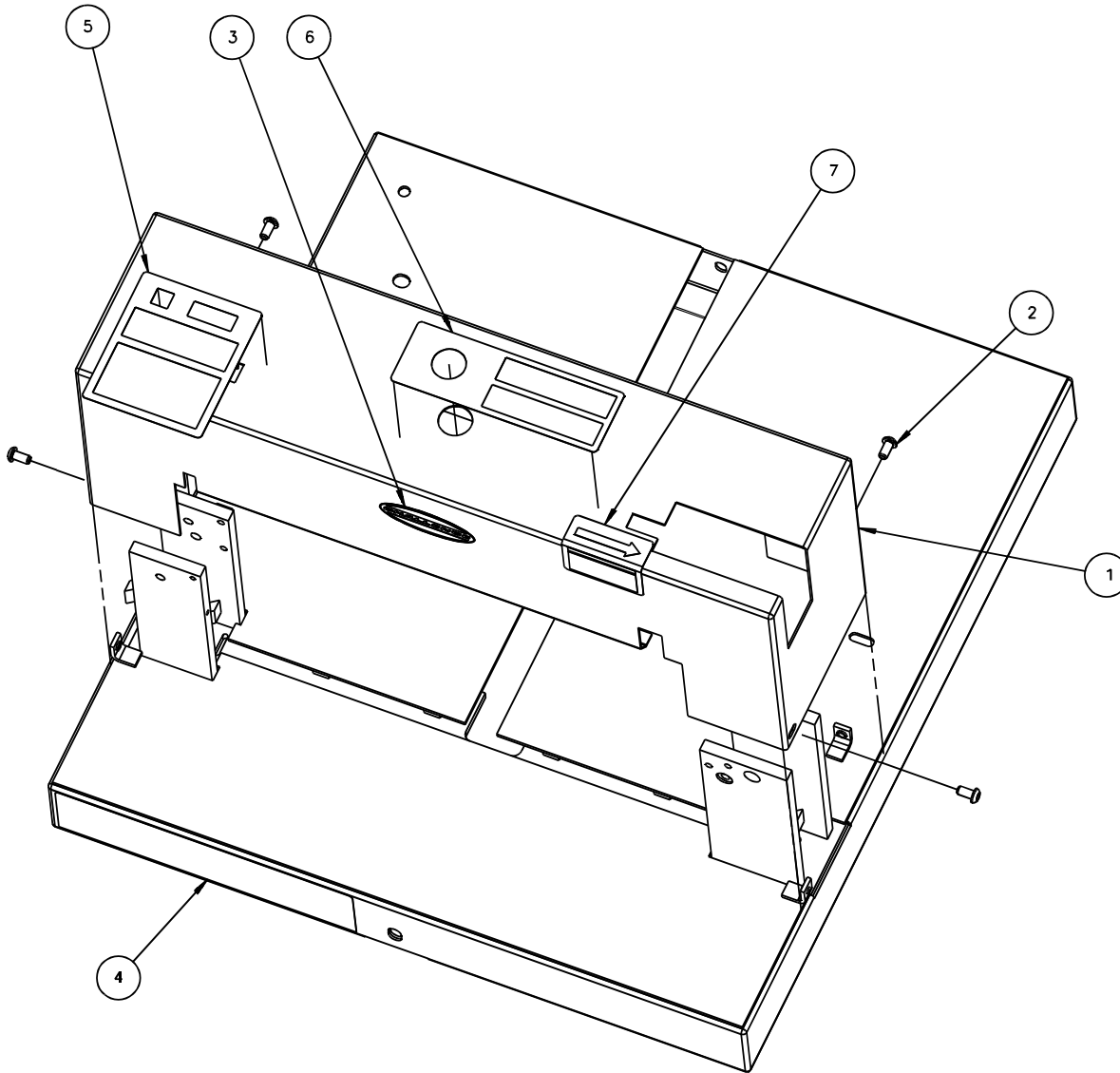
Main Assembly – Backgauge

61000 Sht. 4

Item	Part No.	Description	Qty.
1	60203	BACKGAUGE ASSEMBLY	1
2	61057	SIDE GUIDE	1
3	61059	REAR COVER	1
4	H-6423-4	NUT - 1/4-20 HEX KEP	2
5	H-6910-404SS	SCREW - 1/4-20 X 1/2 BUT. HEAD CAP STAINLESS	2
6	H-6918-606	SCREW - 3/8-16 X 3/4 SOCKET HEAD CAP	2
7	H-6918-608	SCREW - 3/8-16 X 1 SOCKET HEAD CAP	1
8	H-6938-416	SCREW - 1/4-20 X 1 CUP SOC SET	2
9	H-7321-4	WASHER - 1/4 SAE PLAIN	2
10	H-7321-6	WASHER - 3/8 SAE PLAIN	2
11	H-7327-12	WASHER - 3/8 MEDIUM LOCK	2

4.5 Main Assembly – Top Cover

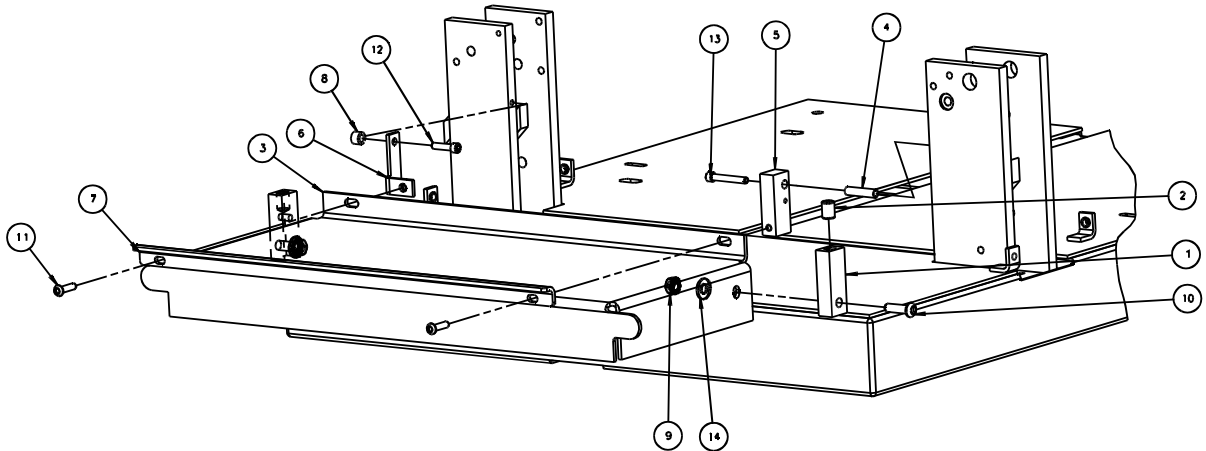
61000 Sht. 5



Item	Part No.	Description	Qty.
1	61049	ARCH COVER	1
2	H-6910-404SS	SCREW - 1/4-20 X 1/2 BUT. HEAD CAP STAINLESS	4
3	S-1076-2	CHALLENGE LABEL	1
4	S-1781-119	LABEL- FRONT PANEL	1
5	S-1781-126	LABEL- DIGITAL DISPLAY	1
6	S-1781-131	LABEL - TOP COVER	1
7	S-1781-136	LABEL- DO NOT ALTER SAFETY DEVICES	1

4.6 Main Assembly – Hood

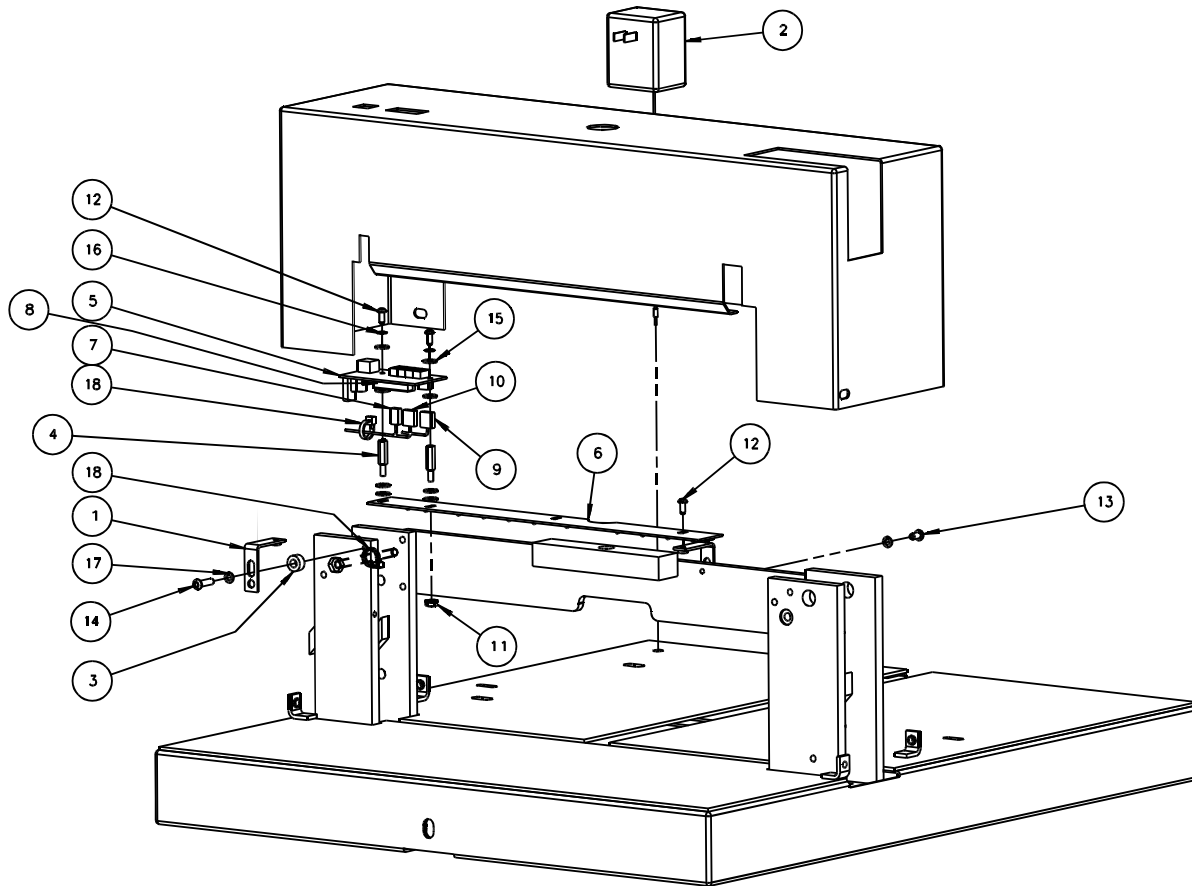
61000 Sht. 6



Item	Part No.	Description	Qty.
1	60046	BLOCK - HOOD HANDLE	2
2	60053	MAGNET - RARE EARTH	2
3	61052	HOOD	1
4	61054	BUSHING	1
5	61055	HINGE BLOCK	1
6	61056	HINGE BRACKET	1
7	61060	TILT SHIELD STIFFENER	1
8	E-1152-99	STANDOFF	1
9	H-6423-4	NUT - 1/4-20 HEX KEP	2
10	H-6910-407	SCREW - 1/4-20 X 7/8 BUTTON HEAD CAP	2
11	H-6910-102406SS	SCREW - #10-24 X 3/4 BUT. HEAD CAP STAINLESS	2
12	H-6918-102406	SCREW - #10-24 X 3/4 SOCKET HEAD CAP	1
13	H-6918-102410	SCREW - #10-24 X 1-1/4 SOCKET HEAD CAP	1
14	H-7321-4	WASHER - 1/4 SAE PLAIN	2

4.7 Main Assembly – Electrical

61000 Sht. 7



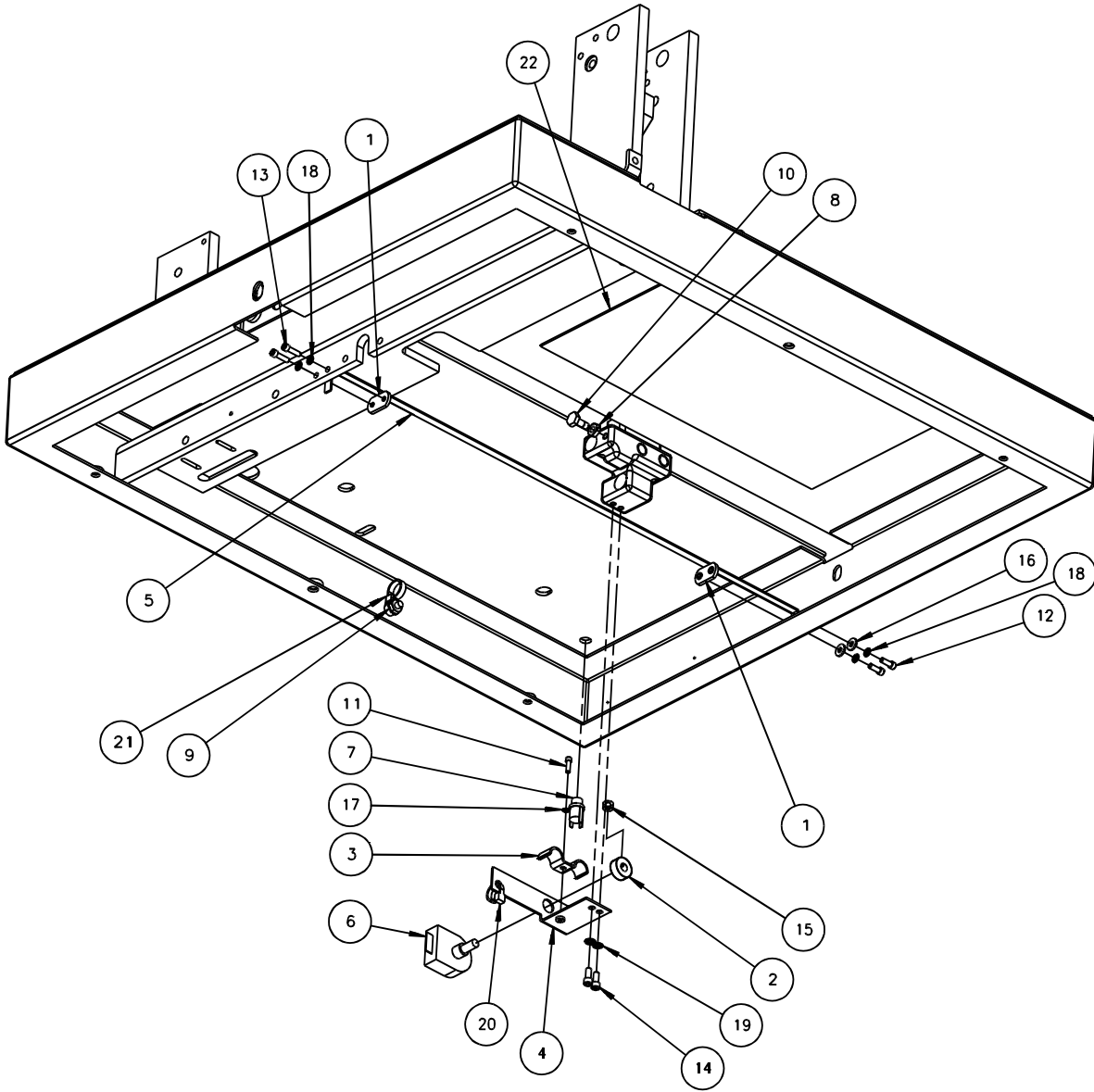
Main Assembly – Electrical

61000 Sht. 7

Item	Part No.	Description	Qty.
1	60040	LINE LIGHT BRACKET	2
2	E-3078	TRANSFORMER- WALL, 120V TO 9VDC	1
3	E-1152-93	STANDOFF	1
4	E-1152-109	STANDOFF	2
5	EE-3065	PCB SMT ASM- COUNTER	1
6	EE-3126	BOARD	1
7	EE-3131	WIRE ASSEMBLY- DISPLAY	1
8	EE-1888-17	EPROM- SPARTAN 150	1
9	EE-2899-2	ENCODER CABLE ASSEMBLY	1
10	EE-3131-1	PRESET CABLE ASSEMBLY	1
11	H-6423-N8	NUT - #8-32 HEX KEP	1
12	H-6910-83203	SCREW - #8-32 X 3/8 BUTTON HEAD CAP	3
13	H-6910-102403	SCREW - #10-24 X 3/8 BUTTON HEAD CAP	1
14	H-6910-102406	SCREW - #10-24 X 3/4 BUTTON HEAD CAP	1
15	H-7320-#8	WASHER - #8 FIBER	8
16	H-7324-#8	WASHER - #8 INT TOOTH	2
17	H-7327-#10	WASHER - #10 MEDIUM LOCK	2
18	S-1694	TYRAP	2

4.0 Parts Lists

Main Assembly – Encoder Mount
61000 Sht. 8



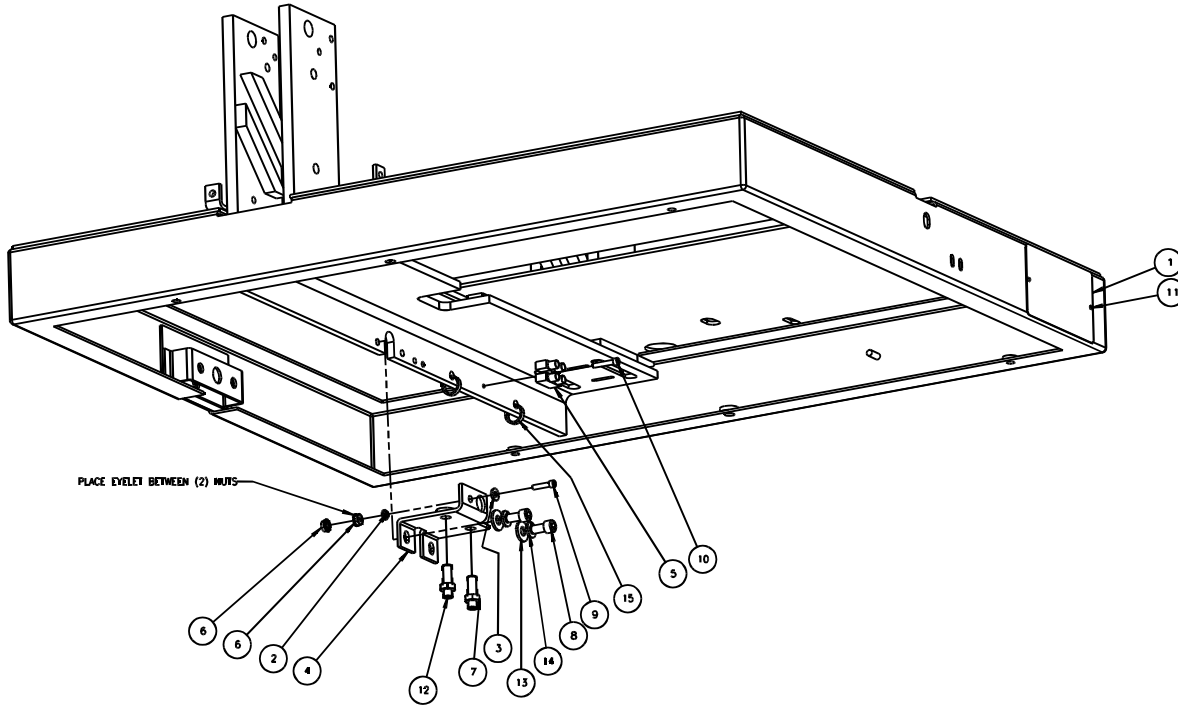
Main Assembly – Encoder Mount

61000 Sht. 8

Item	Part No.	Description	Qty.
1	60042	DOUBLE NUT- #6-32	2
2	60208	TIMING PULLEY- 25 GROOVE MXL	1
3	60212	CABLE CLAMP	1
4	61062	ENCODER BRACKET	1
5	61063	BELT	1
6	E-2467-2	ENCODER	1
7	EE-3077	POWER JACK- DC	1
8	H-6417-N10	NUT - #10-24 HEX	1
9	H-6423-N10	NUT - #10-24 HEX KEP	1
10	H-6913-102404	SCREW - #10-24 X 1/2 HEX HEAD CAP	1
11	H-6918-44003	SCREW - #4-40 X 3/8 SOCKET HEAD CAP	1
12	H-6918-63203	SCREW - #6-32 X 3/8 SOCKET HEAD CAP	2
13	H-6918-63204	SCREW - #6-32 X 1/2 SOCKET HEAD CAP	2
14	H-6918-83203	SCREW - #8-32 X 3/8 SOCKET HEAD CAP	2
15	H-6940-63203	SCREW - #6-32 X 3/16 FLAT SOC SET	1
16	H-7321-#6	WASHER - #6 SAE PLAIN	2
17	H-7324-#4	WASHER - #4 INT TOOTH	1
18	H-7324-#6	WASHER - #6 INT TOOTH	4
19	H-7324-#8	WASHER - #8 INT TOOTH	2
20	S-1694	TYRAP	1
21	S-1694-2	TYRAP - #10	1
22	S-1781-134	LABEL- INTERCONNECTION	1

4.8 Main Assembly – Preset

61000 Sht. 9

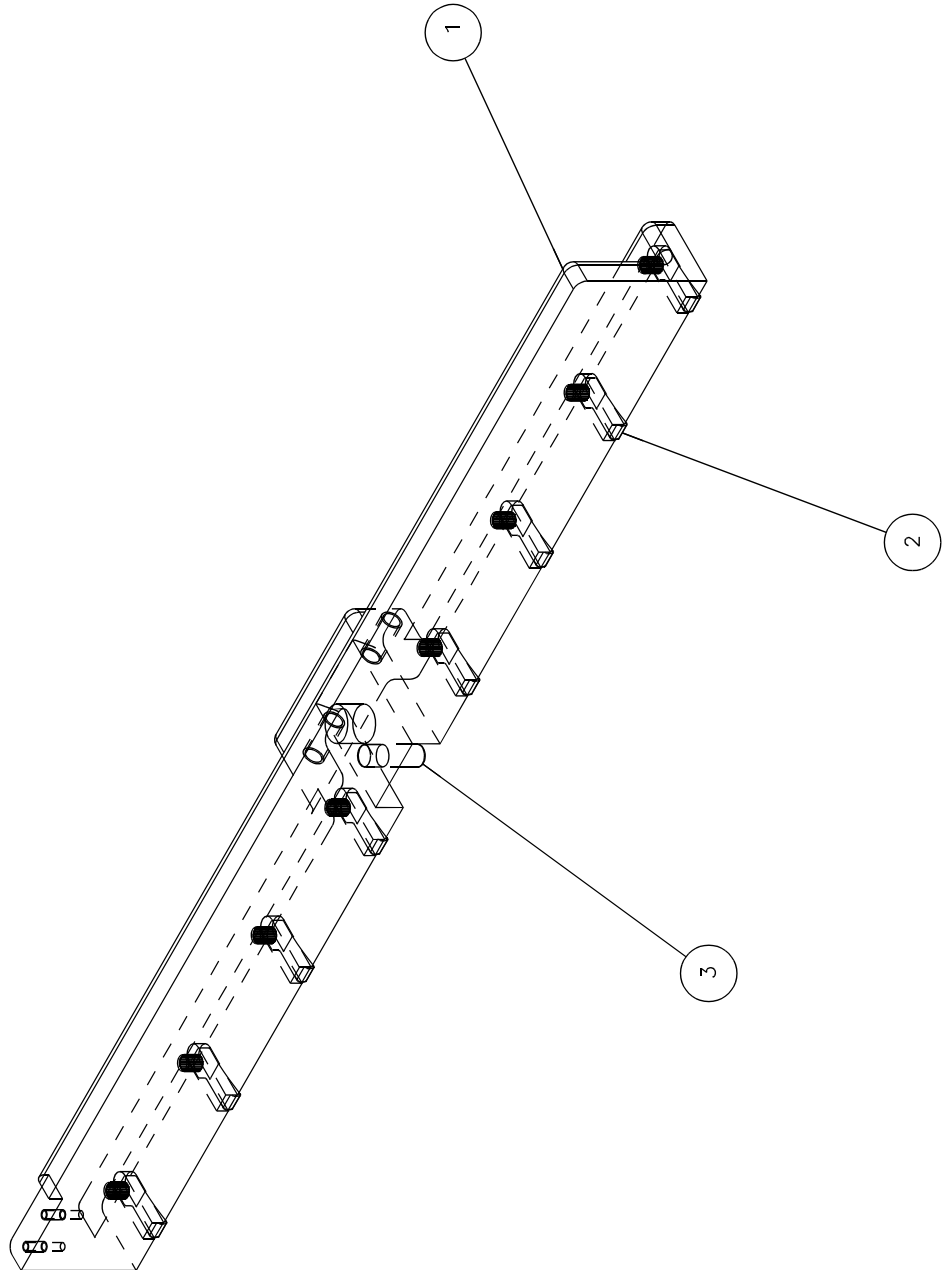


Item	Part No.	Description	Qty.
1	14050	SERIAL PLATE	1
2	47214	SHOULDER WASHER	1
3	11288-7	NYLON WASHER	1
4	61043-1	SHAFT MOUNTING BRACKET	1
5	E-2626-2	TERMINAL STRIP (2P)	1
6	H-6423-N6	NUT - #6-32 HEX KEP	2
7	H-6424-4	NUT - 1/4-20 HEX JAM	2
8	H-6918-404	SCREW - 1/4-20 X 1/2 SOCKET HEAD CAP	2
9	H-6918-63205	SCREW - #6-32 X 5/8 SOCKET HEAD CAP	1
10	H-6918-63206	SCREW - #6-32 X 3/4 SOCKET HEAD CAP	1
11	H-6924-004	SCREW - #0 X 1/4 DRIVE SCREW	2
12	H-6940-416	SCREW - 1/4-20 X 1 FLAT SOC SET	2
13	H-7321-4	WASHER - 1/4 SAE PLAIN	2
14	H-7327-8	WASHER - 1/4 MEDIUM LOCK	2
15	S-1694	TYRAP	2

4.9 Backgauge Assembly

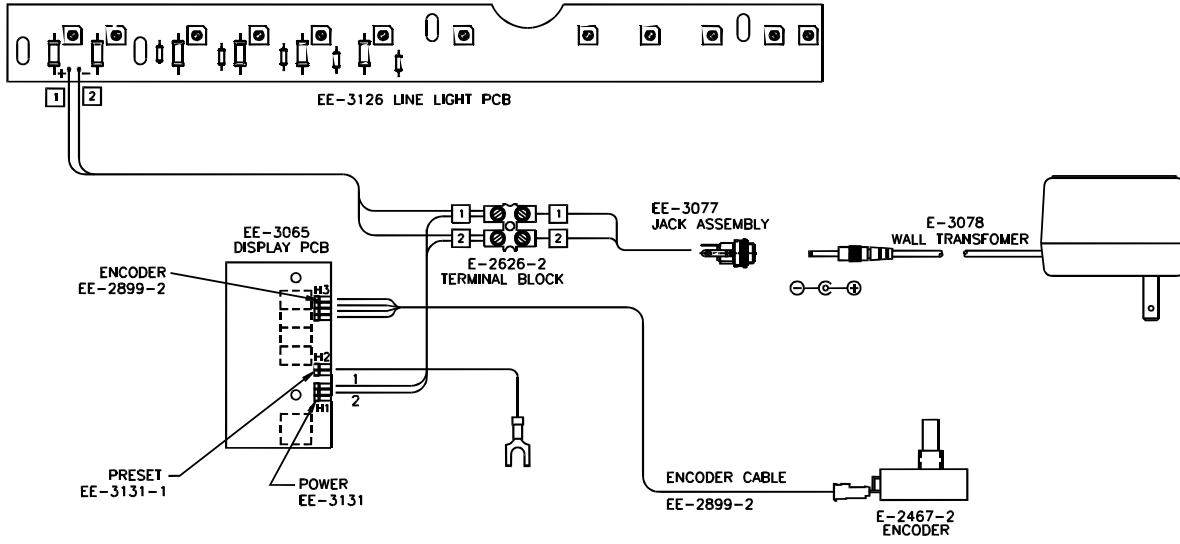
60203

NO.	PART NO.	DESCRIPTION	QTY
1	60201	BACKGUAGE-- MACHINED	1
2	60204	FLOATING FINGER	8
3	H-5246-406	DOWEL PIN - 1/4 X 3/4 HD GD	1



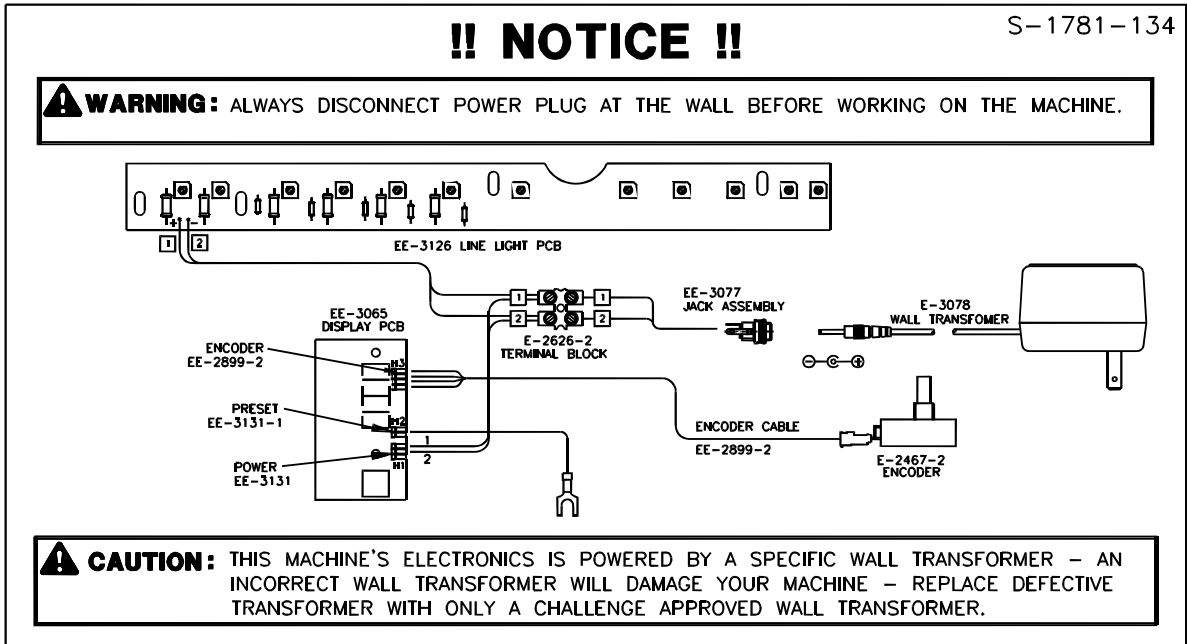
4.10 Interconnection Diagram

E-3130, Rev. A



4.11 Label- Electrical


S-1781-134, Rev. A




4.12 Label – Caution

S-1781-119, Rev. A


⚠ CAUTION ⚠



DO NOT OPERATE WITH MORE THAN ONE PERSON!



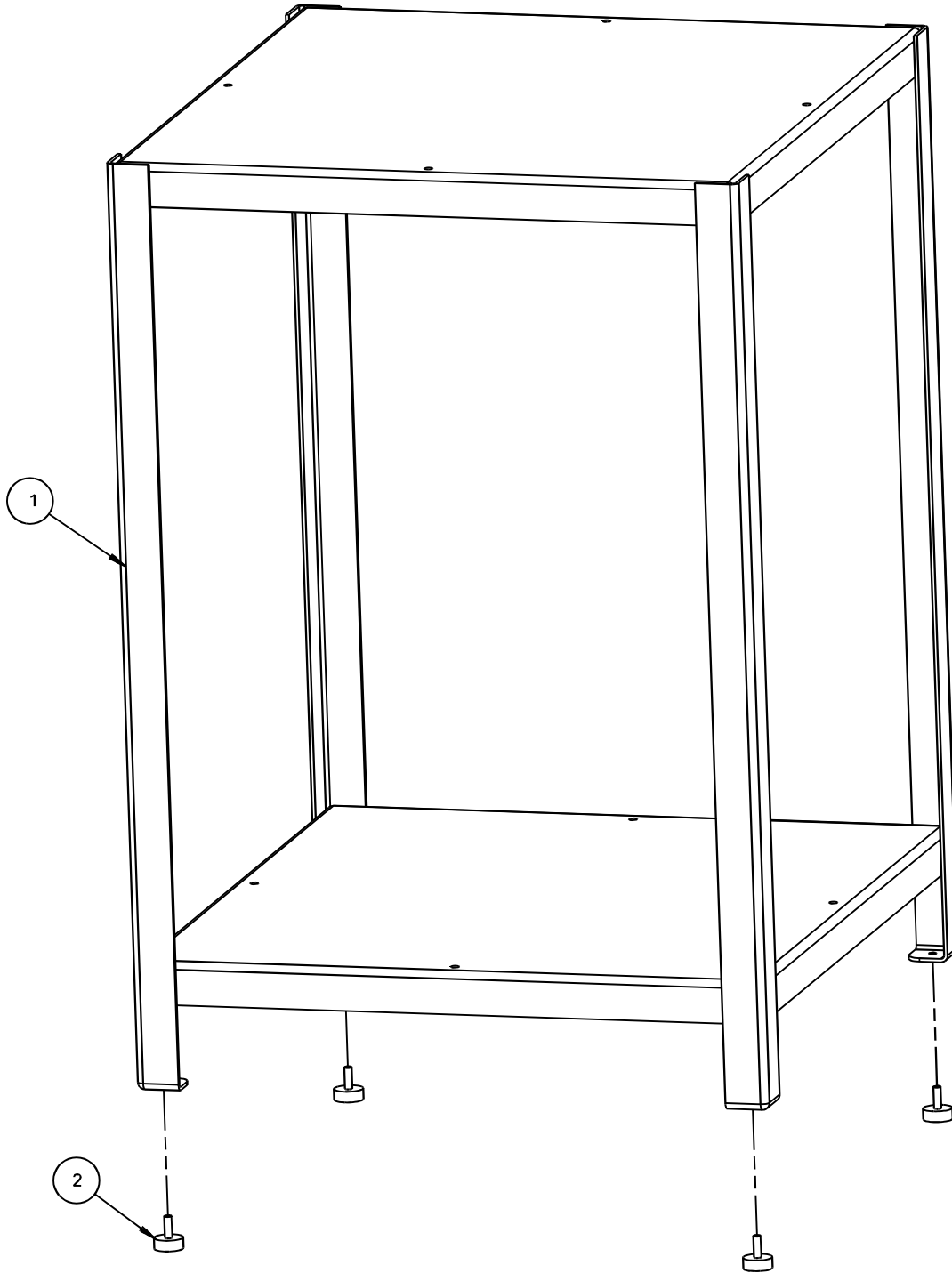
CUT/CRUSH HAZARD! KEEP HANDS FROM UNDER PLUNGER AND KNIFE WHILE IN OPERATION!



DO NOT OPERATE WITH ANY COVERS REMOVED!

4.13 Optional Floor Stand Assembly

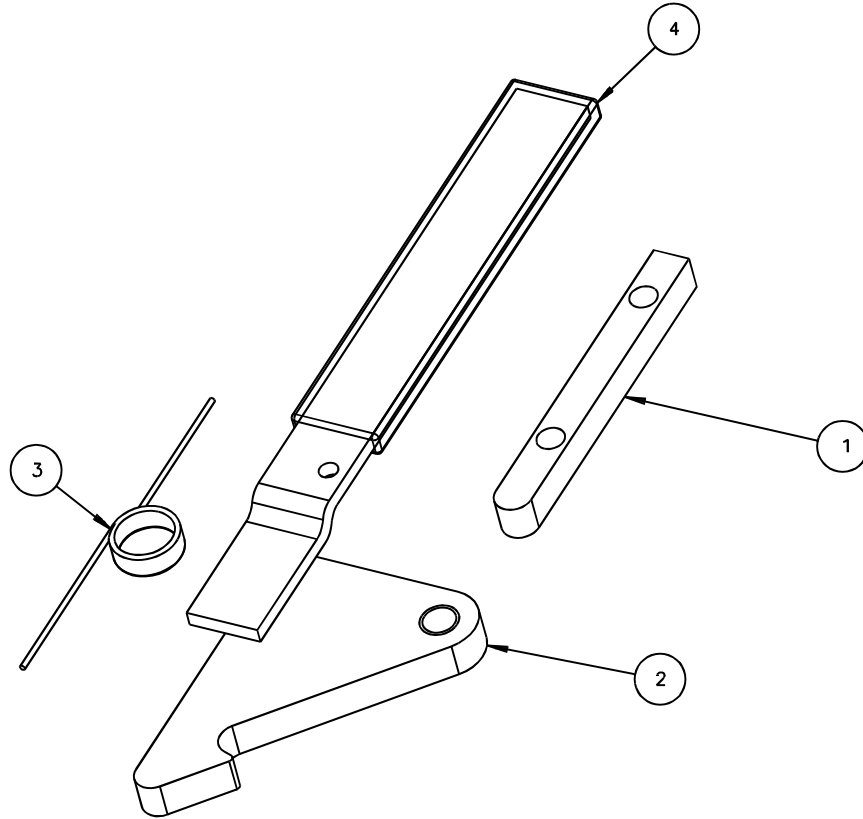
61070, Rev. A



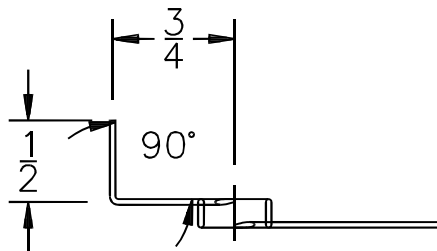
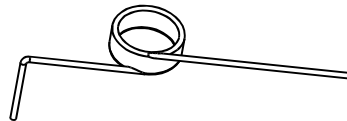
Item	Part No.	Description	Qty.
1	61067	STAND	1
2	40016-6	MOUNT - VIBRATION	4
3	H-6910-408	SCREW - 1/4-20 X 1 BUTTON HEAD CAP	2

4.14 Knife Latch Replacement Kit

K-61074, Rev. "A". See instructions in Section 3.5.1 Knife Latch Replacement on page 20.



NOTES:
1. PUSH RUBBER CAP ONTO KNIFE LATCH LEVER AS SHOWN.



SPRING MUST BE BENT AS SHOWN

Item	Part No.	Description	Qty.
1	61039	KNIFE BAR KEEPER	1
2	61042	KNIFE LATCH	1
3	61071	TORSION SPRING	1
4	61072	KNIFE LATCH CAP	1