



HEARTH PRODUCTS



CARE AND OPERATION INSTRUCTIONS

MPD Pro Direct-Vent Gas Fireplaces

MERIT Plus[®] SERIES

P/N 506017-05 Rev. NC 06/2012

This manual is one of a set of two supporting this product. Refer to P/N 506015-06 for Installation Instructions.
Ce manuel est disponible en français, simplement en faire la demande. Numéro de la pièce 506223-40.

MODELS	ELECTRONIC:	
	MPDP35IN	MPDP35IP
	MPDP40IN	MPDP40IP

Table of Contents	2
Safety and Your Fireplace	2
FREE Safety Guard Offer (Protects Against Burns)	2
Important Safety Information	4
Attaching the Safety-in-Operation Warnings	5
[EN FRANÇAIS] L'information de sûreté importante	3-4
Apposition des mises en garde relatives à la sécurité d'utilisation	5
[EN ESPAÑOL] Información importante de seguridad	3-4
Colocación de advertencias de seguridad en operación	5



OTL Report No. 116-F-59-5



INSTALLER: Leave this manual with the appliance.
CONSUMER: Retain this manual for future reference.
INSTALLATEUR : Laissez cette notice avec l'appareil.
CONSOMMATEUR : Conservez cette notice pour consultation ultérieure.

! WARNING / AVERTISSEMENT / AVISO

- | | | | |
|---|--|--|--|
| <ul style="list-style-type: none"> • HOT GLASS WILL CAUSE BURNS. • DO NOT TOUCH GLASS UNTIL COOLED. • NEVER ALLOW CHILDREN TO TOUCH GLASS. | | <ul style="list-style-type: none"> • UNE SURFACE VITRÉE CHAUDE PEUT CAUSER DES BRÛLURES. • LAISSER REFROIDIR LA SURFACE VITRÉE AVANT D'Y TOUCHER. • NE PERMETTEZ JAMAIS À UN ENFANT DE TOUCHER LA SURFACE VITRÉE. | <ul style="list-style-type: none"> • EL VIDRIO CALIENTE CAUSARÁ QUEMADURAS. • USTED DEBE NUNCA TOCAR EL VIDRIO CALIENTE. • LOS NIÑOS DEBEN NUNCA TOCAR EL VIDRIO. |
|---|--|--|--|

WARNING: If the information in these instructions is not followed exactly, a fire or explosion may result, causing property damage, personal injury, or death.

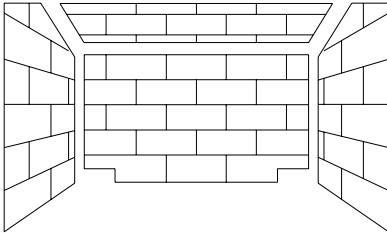
- Do not store or use gasoline or other flammable vapors and liquids in the vicinity of this or any other appliance.
- **WHAT TO DO IF YOU SMELL GAS:**
 - Do not try to light any appliance.
 - Do not touch any electrical switch; do not use any phone in your building.
 - Immediately call your gas supplier from a neighbor's phone. Follow the gas supplier's instructions.
 - If you cannot reach your gas supplier, call the fire department.
- Installation and service must be performed by a qualified installer, service agency or the gas supplier.

AVERTISSEMENT : Assurez-vous de bien suivre les instructions données dans cette notice pour réduire au minimum le risque d'incendie ou d'explosion ou pour éviter tout dommage matériel, toute blessure ou la mort.

- Ne pas entreposer ni utiliser d'essence ni d'autres vapeurs ou liquides inflammables dans le voisinage de cet appareil ou de tout autre appareil.
- **QUE FAIRE SI VOUS SENTEZ UNE ODEUR DE GAZ :**
 - Ne pas tenter d'allumer d'appareil.
 - Ne touchez à aucun interrupteur. Ne pas vous servir des téléphones se trouvant dans le bâtiment où vous trouvez.
 - Appelez immédiatement votre fournisseur de gaz depuis un voisin. Suivez les instructions du fournisseur.
 - Si vous ne pouvez rejoindre le fournisseur de gaz, appelez le service des incendies.
- L'installation et l'entretien doivent être assurés par un installateur ou un service d'entretien qualifié ou par le fournisseur de gaz.

Product Reference Information			
Cat. No.	Model	Ship. Wt.	Ship. Volume
H8568	MPDP35IN (NG)	113 lb.	15.8 cu. ft.
H8569	MPDP35IP (LP)		
H8570	MPDP40IN (NG)	147 lb.	20.2 cu. ft.
H8571	MPDP40IP (LP)		

REQUIRED ACCESSORIES

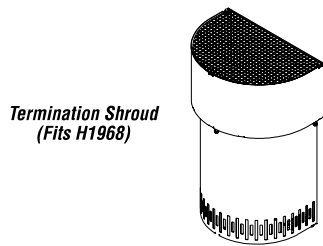


The brickaded panel liner kits include ceramic panels of the side walls, the rear and the baffle of the firebox. The panels have brick-like features in relief.

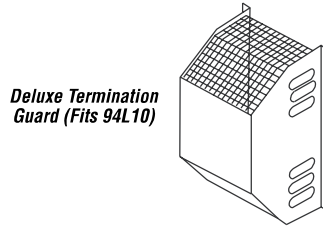
One of the following kits must be installed for safe operation of this appliance.

Firebox Liner Kits		
Cat. No.	Model	Description
H8572	BLKBP-MPDP35	Black Porcelain, MPDP35
H8573	BLKBP-MPDP40	Black Porcelain, MPDP40
H0913	MBLK-35	Brickaded, MPDP35
H0914	MBLK-40	Brickaded, MPDP40

OPTIONAL ACCESSORIES



Termination Shroud (Fits H1968)



Deluxe Termination Guard (Fits 94L10)

Termination Guard Kits

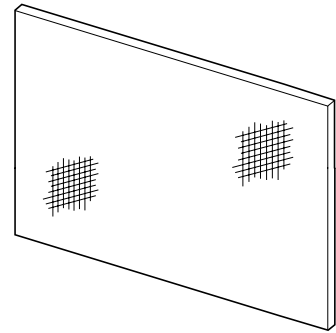
The vent termination guards may be used to cover the vent termination on the exterior of the home to minimize exposure to the hot surface of the termination.

Termination Guard Kits (all models)		
Cat. No.	Model No.	Description
H5820	4.5HTSK	Termination Shroud
87L02	SV4.5HGS	Termination Guard, Deluxe



Repair of minor scratches and discoloration of the appliance painted surfaces may be accomplished with the touch-up paint kit.

Touch-Up Paint (Black) Kit		
Cat. No.	Model	Description
90L73	TPK-B	Touch-Up Paint, Black



These barrier screen kits create a barrier to prevent direct contact with the hot glass. The screen panel affixes directly to the front glass enclosure panel.

Barrier Screen Kits		
Cat. No.	Model	Description
H7975	HG35M	Barrier Screen, MPDP35
H7976	HG40M	Barrier Screen, MPDP40

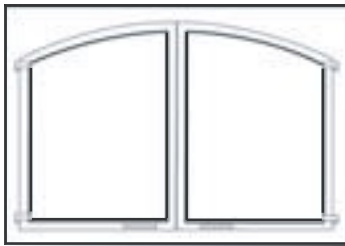


**Bag of Glowing Embers
Bag of Volcanic Stone**

Replacement ember materials or volcanic stone are available for use with these appliances. Order kits as part of the periodic maintenance of the appliance.

Decorative Firebox Accessories		
Cat. No.	Model No.	Description
88L53	FGE	Bag of Glowing Embers (1 oz. rockwool)
80L42	FDVS	Bag of Decorative Volcanic Stone

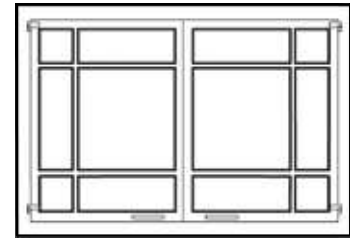
ACCESSORY COMPONENTS (continued)



Arch Design



Arch Pane Design



Square Pane Design

Style View Doors -

Style View Doors come in three beautiful styles. They are easy to install and will not require hardware to attach them to the standard glass door frame. The door includes heavy duty magnet door latches and functional twin-pane doors.

ARCH DESIGN KITS			
Cat. No.	Model	Description	Model Series
H8769	AD35B-2	35" Arch Doors, Black	MPDP35
H8770	AD35SP-2	35" Arch Doors, Satin Pewter	
H8771	AD40B-2	40" Arch Doors, Black	MPDP40
H8772	AD40SP-2	40" Arch Doors, Satin Pewter	
ARCH PANE DESIGN KITS			
H8775	APD35B-2	35" Arch Pane Doors, Black	MPDP35
H8776	APD35SP-2	35" Arch Pane Doors, Satin Pewter	
H8777	APD40B-2	40" Arch Pane Doors, Black	MPDP40
H8778	APD40SP-2	40" Arch Pane Doors, Satin Pewter	

SQUARE PANE DESIGN KITS			
H8781	SPB35B-2	35" Sq. Pane Doors, Black	MPDP35
H8782	SPB35SP-2	35" Sq. Pane Doors, Satin Pewter	
H8783	SPB40B-2	40" Sq. Pane Doors, Black	MPDP40
H8784	SPB40SP-2	40" Sq. Pane Doors, Satin Pewter	

REPLACEMENT PARTS LIST

Item No.	Description	MPDP35		MPDP40	
		Part No.	Qty.	Part No.	Qty.
1	Hood	97K51	1	97K52	1
2	Radiant Panel Assembly, Upper	H8661	1	H8662	1
3	Radiant Panel Assembly, Lower	H8665	1	H8666	1
4	Enclosure, Glass Front (Complete)	H8584	1	H8586	1
5	Nameplate (Brand)	12L15	1	12L15	1
6	Door Latch Spring	H1264	2	H1264	2
7	Catch, Door, Magnetic	69L31	2	69L31	2
8	Log Set (Complete)	24M22	1	24M25	1
9	Burner Assembly	H8585	1	H8587	1
10	Grate Assembly	H6526	1	H6314	1
11	Orifice, Main Burner - Nat. Gas	H3721	1	18L40	1
11	Orifice, Main Burner - LP Gas	99K79	1	21L01	1
12	Bag Of Embers (Rockwool)	88L53	1	88L53	1
13	Bag Of Decorative Volcanic Stone	80L42	1	80L42	1
14	Gas Line Flexible Connector	93L32	1	93L32	1
15	CPI Switch (pilot mode)	27K30	1	27K30	1
16	Forced Air Blower, FBK-100	80L84	1	80L84	1

Contact an Lennox Hearth Products dealer to obtain any of these parts. Never use substitute materials. Use of non-approved parts can result in poor performance and safety hazards.

! WARNING

Failure to position the parts in accordance with these diagrams or failure to use only parts specifically approved with this appliance may result in property damage or personal injury.

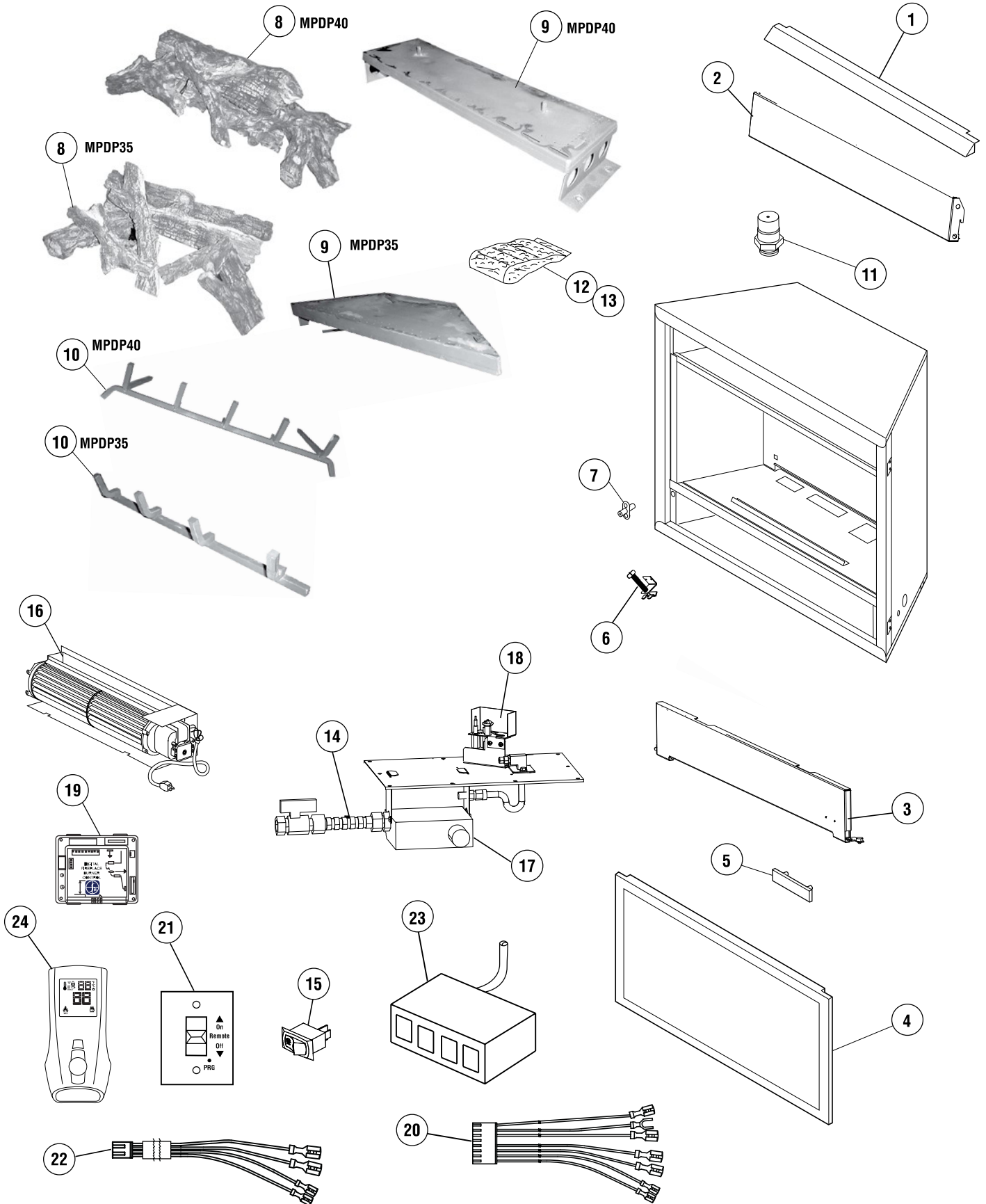
! AVERTISSEMENT

Risque de dommages ou de blessures si les pièces ne sont pas installées conformément à ces schémas et ou si des pièces autres que celles spécifiquement approuvées avec cet appareil sont utilisées.

GAS CONTROLS — SIT ELECTRONIC

Item No.	Description	Natural Gas		Propane Gas	
		Part No	Qty	Part No	Qty
17	Gas Valve	H7270	1	H7271	1
18	Pilot Assembly	H7268	1	H7269	1
19	DFC Ignition Board	H7272	1	H7272	1
20	DFC Wire Harness	H7273	1	H7273	1
21	Receiver Kit	H7277	1	H7277	1
22	Receiver Cable Harness	H7276	1	H7276	1
23	Fan Control Module	H7274	1	H7274	1
24	Transmitter Kit	H7275	1	H7275	1
25	Ground Wire	H7278	1	H7278	1

REPLACEMENT PARTS



NOTE: DIAGRAMS & ILLUSTRATIONS ARE NOT TO SCALE.