

# DIAMOND CORE DRILLING MACHINE

Original instructions

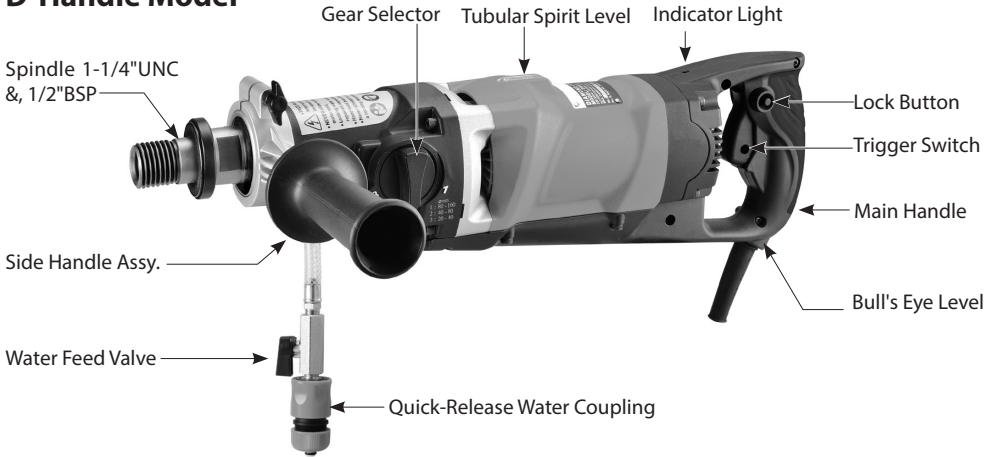


**CAUTION:**  
Machine equipped with overheat thermal protection. When the thermal protection kicks in, always remove from the workpiece and run at no load for at least 3 minutes to allow motor to cool before returning to operation.

CE CB

Model	D-Handle Model	Pistol-Handle Model	Constant Speed Model
Power Input	220-240V: 2000W, 110-120V: 1700W		220-240V: 2500W, 110-120V: 2300W
Voltage	See machine nameplate		
No Load min <sup>-1</sup>	930 / 1520 / 4270		480 / 1050 / 2200
Rated Load min <sup>-1</sup>	560 / 910 / 2560		480 / 1050 / 2200
Capacity-Wet (Hand-Held)	80mm (3")		
Capacity-Wet (Rig-Mounted)	162mm (6-1/4")		202mm (8")
Capacity-Dry (Convertible Models Only)	182mm (7-1/4")		n/a
Arbor Thread	1-1/4"UNC & 1/2" BSP		
Neck Diameter	60mm		
Dimensions	528mm X 106mm X 145mm	437mm X 115mm X 289mm	463mm x 127mm x 310mm
Net Weight	6.4kg (14 Lbs.)	6.4kg (14 Lbs.)	7.3kg (16 Lbs)

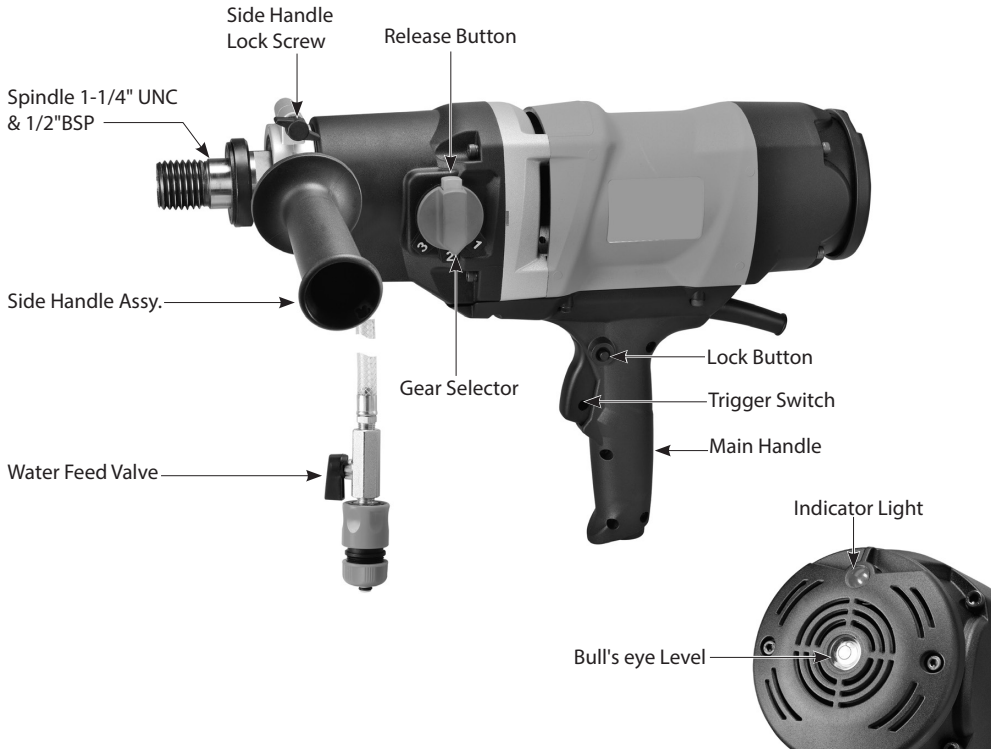
## D-Handle Model



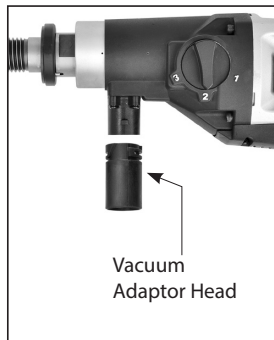
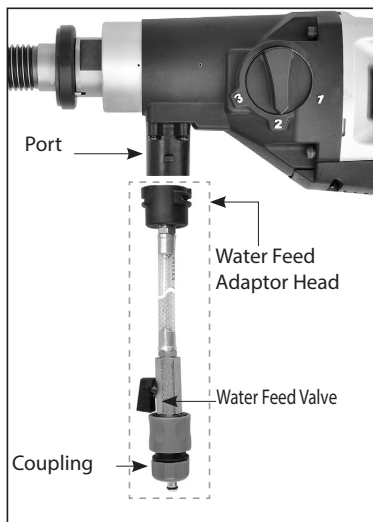
## Pistol-Handle Model

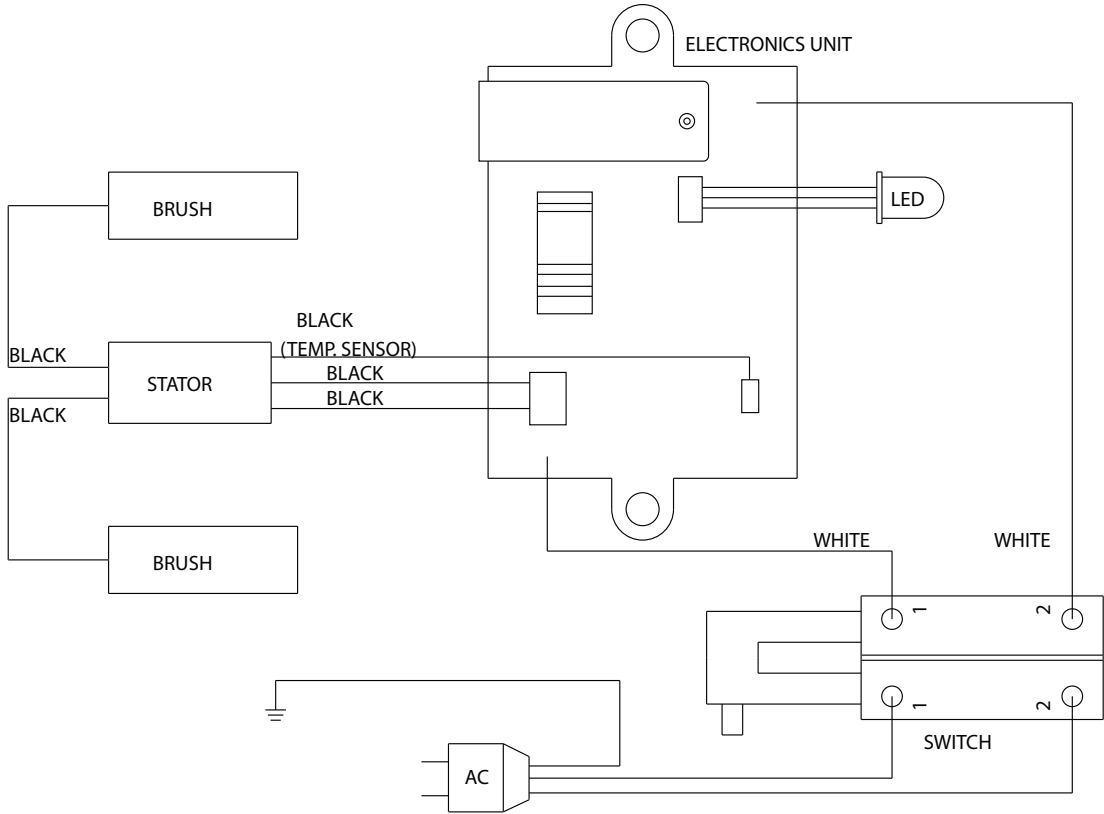


# Constant Speed Model

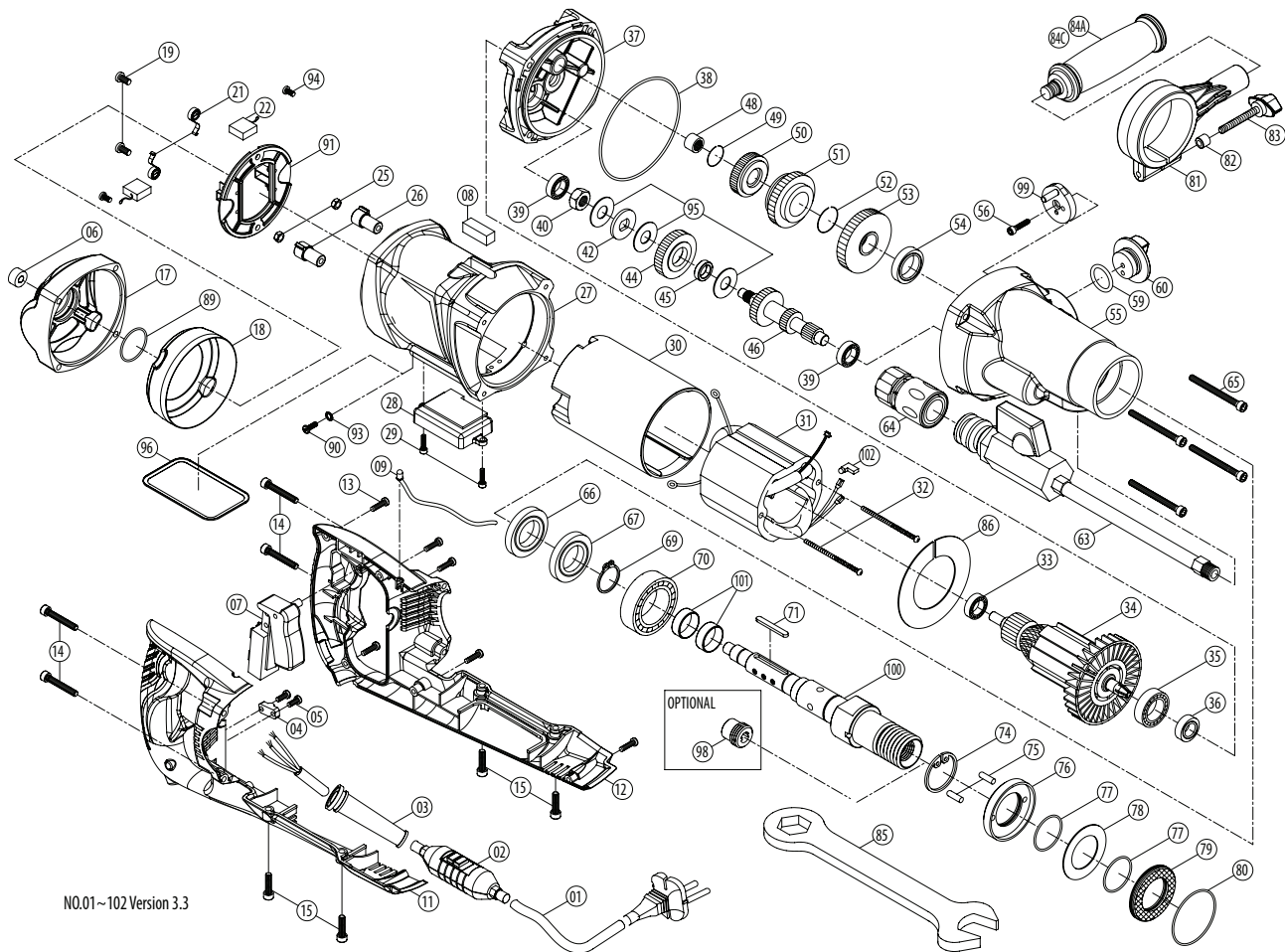


# Convertible Models





D-Handle Model Exploded View

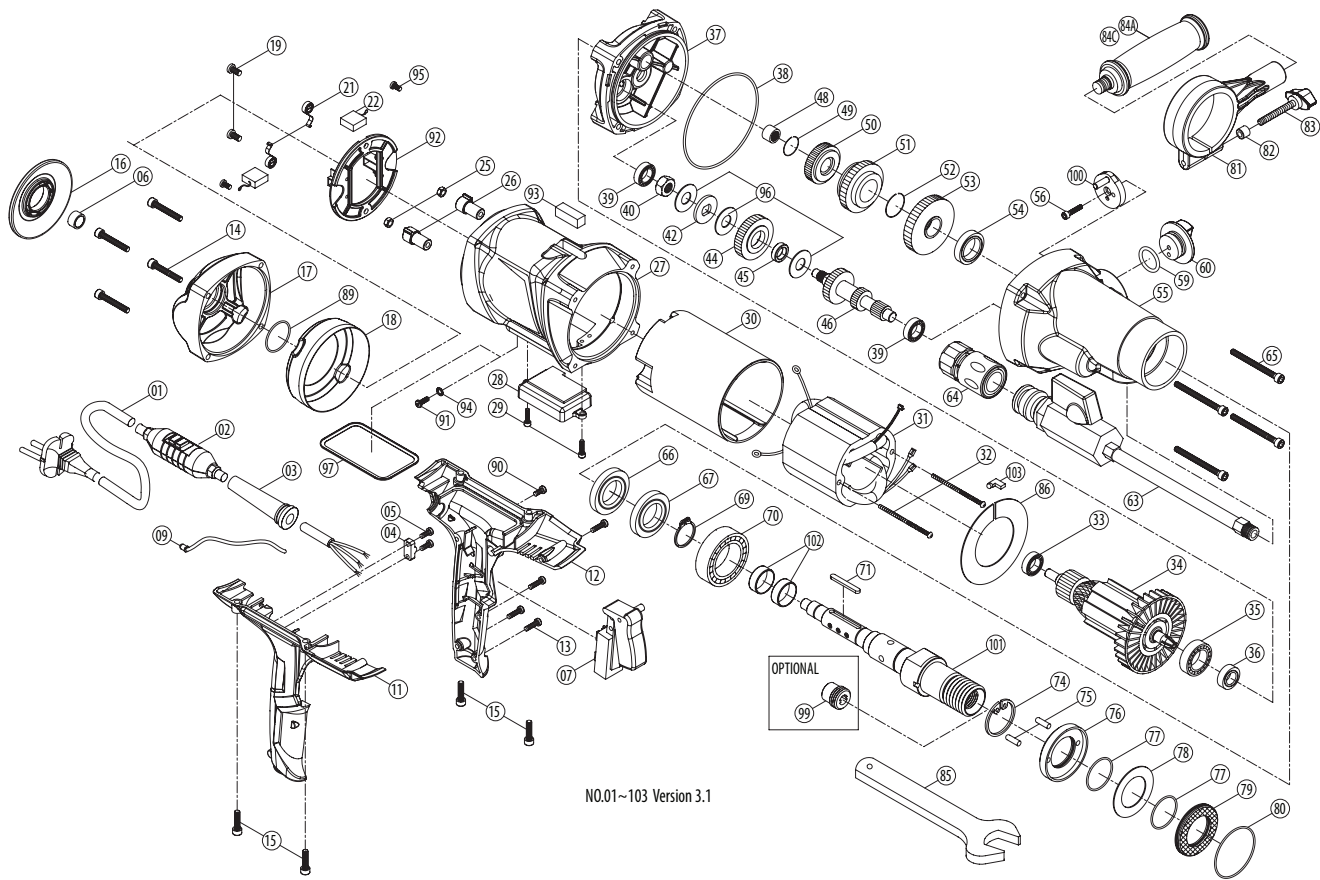


NO.01~102 Version 3.3

## D-Handle Model Parts List

NO.	Parts Name	Q'TY	NO.	Parts Name	Q'TY
1	POWER SUPPLY CABLE	1	53	OUTPUT GEAR M1.25 x 46T	1
2	PRCD INTERRUPTER PROTECTION 110V.220V	1	54	OIL SEAL Ø22 x Ø32 x 7	1
3	CORD ARMOR	1	55	GEAR HOUSING	1
4	CABLE CLIP	1	56	SOCKET CAP SCREW M5x12	1
5	PANHEAD TAPPING SCREW M4x14	2	57	N/A	-
6	BULLS-EYE LEVEL	1	58	N/A	-
7	SWITCH 110V / 220V	1	59	O-RING Ø20 x 3	1
8	SPIRIT LEVEL 10x10x29	1	60	GEAR SELECTOR	1
9	LED OVERLOAD LAMP 110V / 220V	1	61	N/A	-
10	N/A	-	62	N/A	-
11	D-HANDLE HALF-RIGHT	1	63	WATER FEED CONNECTOR KIT	1
12	D-HANDLE HALF-LEFT	1	64	WATER COUPLING 1/2"	1
13	PANHEAD TAPPING SCREW M4x16	6	65	SOCKET CAP SCREW M5x50	4
14	SOCKET CAP SCREW M5x40	4	66	OIL SEAL Ø25 x Ø45 x 7	1
15	SOCKET CAP SCREW M5x16	4	67	OIL SEAL Ø25 x Ø47 x 7	1
16	N/A	-	68	N/A	-
17	MOTOR END CASTING	1	69	EXTERNAL CIRCLIP S-25	1
18	INSULATING COVER	1	70	BALL BEARING 6205	1
19	PANHEAD TAPPING SCREW M4x12	2	71	PARALLEL KEY 5x5x40	1
20	N/A	-	72	N/A	-
21	BRUSH SPRING 0.4x4x3T	2	73	N/A	-
22	CARBON BRUSH 7x17x19 110V/220V	2	74	INTERNAL CIRCLIP R-52	1
23	N/A	-	75	DOWEL PIN Ø4 x 11.8	2
24	N/A	-	76	ANTI-SEIZE CUP	1
25	NYLOCK NUT M5	2	77	O-RING Ø32 x 1.5	2
26	INSULATING SLEEVE	2	78	THRUST RING 3252-B	1
27	MOTOR HOUSING	1	79	ANTI-SEIZE RING	1
28	ELECTRONICS UNIT 110V/ 220V	1	80	O-RING Ø49 x 1.5	1
29	PANHEAD MACHINE SCREW M4x10	2	81	HANDLE CLAMP	1
30	MOTOR INSULATION SLEEVE	1	82	SPACER Ø6.1xØ12x10	1
31	STATOR 110V/220V -81x45.8x70	1	83	THUMB SCREW M6x55	1
32	PANHEAD MACHINE SCREW M5x95	2	84A	FRONT HANDLE M12xP1.75	1
33	BALL BEARING 6200	1	84B	N/A	-
34	ARMATURE 110V/220V -81x45.8x70	1	84C	FRONT HANDLE M12	1
35	BALL BEARING 6201	1	85	COMBINATION WRENCH M32	1
36	OIL SEAL Ø12 x Ø22 x 7	1	86	FAN BAFFLE Ø48xØ87.5x1	1
37	GEAR PLATE	1	87	N/A	-
38	O-RING Ø92 x 2	1	88	N/A	-
39	BALL BEARING 608	2	89	O-RING Ø30 x 1.5	1
40	CLUTCH NUT M10	1	90	PANHEAD MACHINE SCREW M4x8	1
41	N/A	-	91	BRUSH HOLDER PLATE ASSY.	1
42	PRESSURE DISC Ø12.1xØ28x2.65	1	92	N/A	-
43	N/A	-	93	EXTERNAL STAR WASHER M4	1
44	INPUT GEAR M1.0x38T	1	94	PANHEAD MACHINE SCREW M4x6	2
45	BUSHING Ø12xØ18x5	1	95	CLUTCH DISC SET	1
46	INPUT SHAFT M1.25x24Tx12Tx8T	1	96	GASKET	1
47	N/A	-	97	N/A	-
48	NEEDLE BEARING HK 1010	1	98	PILOT DRILL SOCKET	1
49	INTERNAL CIRCLIP IS14	1	99	SELECTOR DISC	1
50	OUTPUT GEAR M1.25 x 29T	1	100	SPINDLE SET 1-1/4"-7 x 1/2" BSP	1
51	SPINDLE GEAR M1.25x42T	1	101	STAINLESS BUSHING Ø23xØ25x9	2
52	INTERNAL CIRCLIP IS18	1	102	FLAG TERMINAL	1

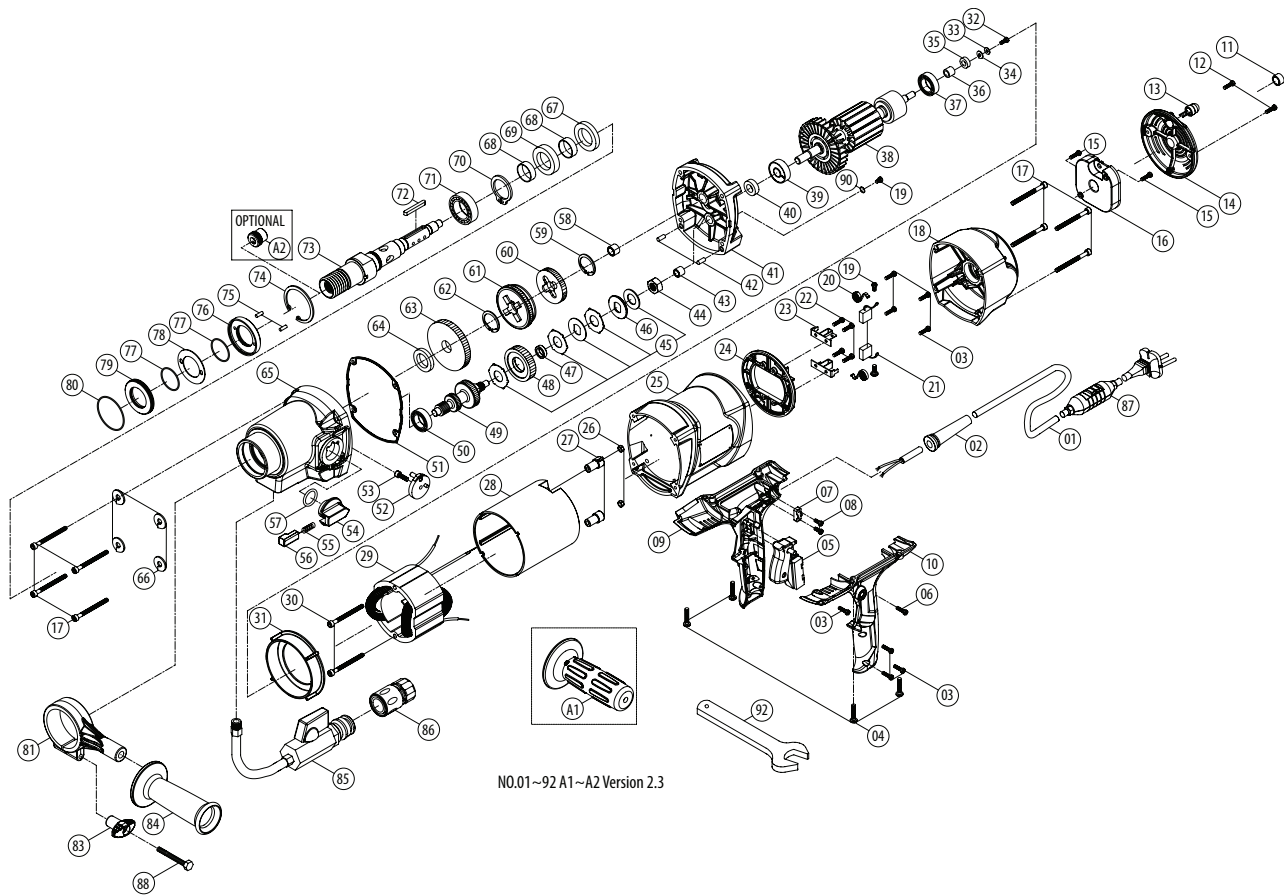
Pistol-Handle Model Exploded View



NO.01~103 Version 3.1

## Pistol-Handle Model Parts List

NO.	Parts Name	Q'TY	NO.	Parts Name	Q'TY
1	POWER SUPPLY CABLE	1	52	INTERNAL CIRCLIP IS18	1
2	PRCD INTERRUPTER PROTECTION 110V/220V	1	53	OUTPUT GEAR M1.25 x 46T	1
3	CORD ARMOR	1	54	OIL SEAL Ø22 x Ø32 x 7	1
4	CABLE CLIP	1	55	GEAR HOUSING	1
5	PANHEAD TAPPING SCREW M4x14	2	56	SOCKET CAP SCREW M5x12	1
6	BULLS-EYE LEVEL	1	57~58	N/A	-
7	SWITCH 110V&220V	1	59	O-RING Ø20 x 3	1
8	N/A	-	60	GEAR SELECTOR	1
9	LED OVERLOAD LAMP 110V & 220V	1	61~62	N/A	-
10	N/A	-	63	WATER FEED CONNECTOR KIT	1
11	HANDLE HALF-RIGHT	1	64	WATER COUPLING	1
12	HANDLE HALF-LEFT	1	65	SOCKET CAP SCREW M5x50 ~	4
13	PANHEAD TAPPING SCREW M4x16	4	66	OIL SEAL Ø25 x Ø45 x 7	1
14	SOCKET CAP SCREW M5x30	4	67	OIL SEAL Ø25 x Ø47 x 7	1
15	SOCKET CAP SCREW M5x20	4	68	N/A	-
16	BUTT PLATE	1	69	EXTERNAL CIRCLIP S-25	1
17	MOTOR END CASTING	1	70	BALL BEARING 6205	1
18	INSULATING COVER	1	71	PARALLEL KEY 5x5x40	1
19	PANHEAD TAPPING SCREW M4x12	2	72~73	N/A	-
20	N/A	-	74	INTERNAL CIRCLIP R-52	1
21	BRUSH SPRING 0.4x4x3T	2	75	DOWEL PIN Ø4 x 11.8	2
22	CARBON BRUSH 7x17x19 110V / 220V	2	76	ANTI-SEIZE CUP	1
23~24	N/A	-	77	O-RING Ø32 x 1.5	2
25	NYLOCK NUT M5	2	78	THRUST RING 3252-B	1
26	INSULATING SLEEVE	2	79	ANTI-SEIZE RING	1
27	MOTOR HOUSING	1	80	O-RING Ø49 x 1.5	1
28	ELECTRONICS UNIT 110V / 220V	1	81	HANDLE CLAMP	1
29	PANHEAD MACHINE SCREW M4x10	2	82	SPACER Ø6.1xØ12x10	1
30	MOTOR INSULATION SLEEVE	1	83	THUMB SCREW M6x55	1
31	STATOR 110V/ 220V -81x45.8x70	1	84A	FRONT HANDLE M12	1
32	PANHEAD MACHINE SCREW M5x95	2	84B	N/A	-
33	BALL BEARING 6200	1	84C	FRONT HANDLE M12	1
34	ARMATURE 110V / 220V -81x45.8x70	1	85	WRENCH M32	1
35	BALL BEARING 6201	1	86	FAN BAFFLE Ø48xØ87.5x1	1
36	OIL SEAL Ø12 x Ø22 x 7	1	87~88	N/A	-
37	GEAR PLATE	1	89	O-RING Ø30 x 1.5	1
38	O-RING Ø92 x 2	1	90	PANHEAD TAPPING SCREW M4x8	1
39	BALL BEARING 608	2	91	PANHEAD MACHINE SCREW M4x8	1
40	CLUTCH NUT M10	1	92	BRUSH HOLDER PLATE ASSY.	1
41	N/A	-	93	SPIRIT LEVEL 1 0x10x29	1
42	PRESSURE DISC Ø12.1xØ28x2.65	1	94	EXTERNAL STAR WASHER M4	1
43	N/A	-	95	PANHEAD MACHINE SCREW M4x6	2
44	INPUT GEAR M1.0x38T	1	96	CLUTCH DISC SET	1
45	BUSHING Ø12xØ18x5	1	97	GASKET	1
46	INPUT SHAFT M1.25x24Tx12Tx8T	1	98	N/A	-
47	N/A	-	99	PILOT DRILL SOCKET	1
48	NEEDLE BEARING HK 1010	1	100	SELECTOR DISC	1
49	INTERNAL CIRCLIP IS14	1	101	SPINDLE SET 1-1/4"-7 x 1/2" BSP	1
50	OUTPUT GEAR M1.25 x 29T	1	102	STAINLESS BUSHING Ø23xØ25x9	2
51	SPINDLE GEAR M1.25x42T	1	103	FLAG TERMINAL	1

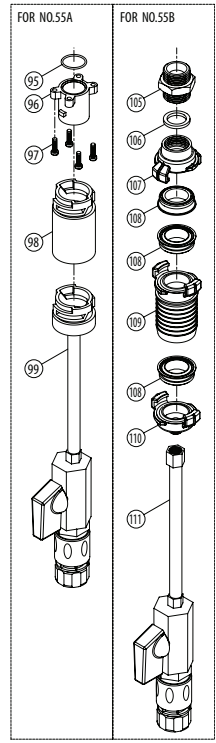
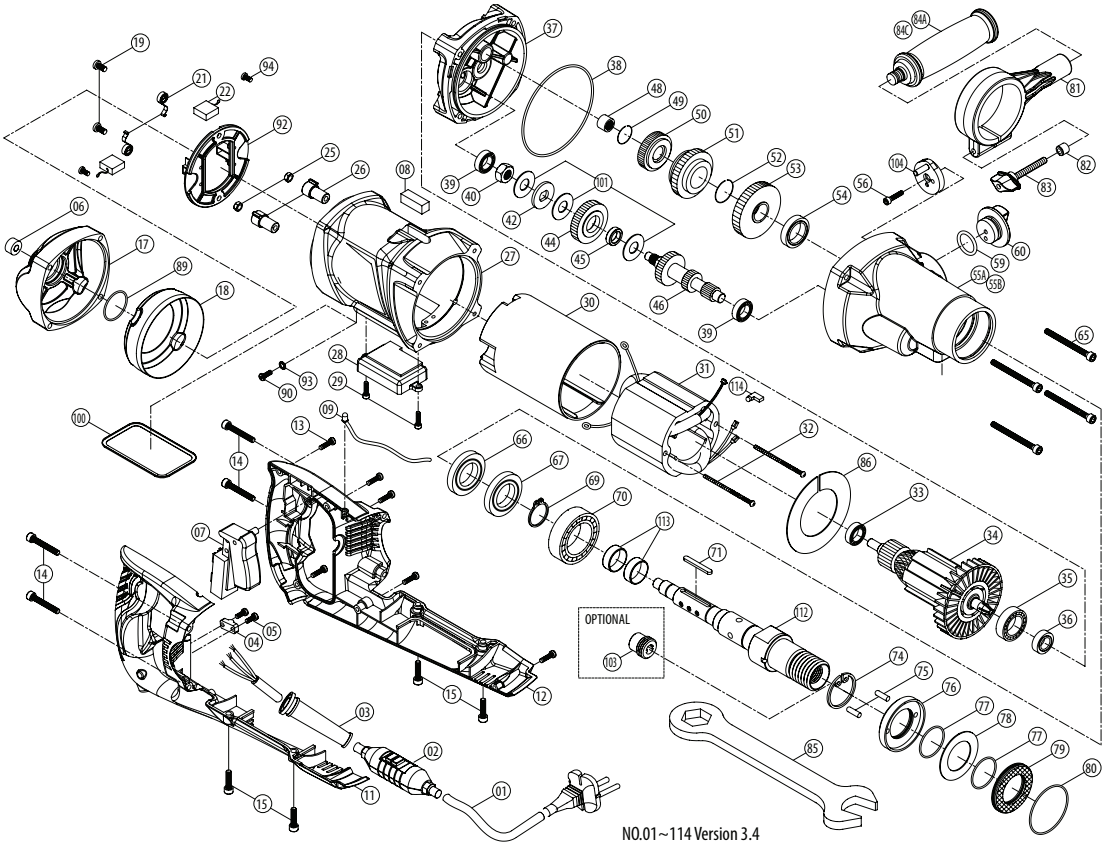


NO.01~92 A1~A2 Version 2.3

## Constant Speed Model Parts List

NO.	Parts Name	Q'TY	NO.	Parts Name	Q'TY
1	POWER SUPPLY CABLE	1	48	INPUT GEAR M1.0x45T	1
2	CORD ARMOR	1	49	INPUT SHAFT M1.25x29TxM1.25x18TxM1.25x10T	1
3	PANHEAD TAPPING SCREW M4x16	8	50	BALL BEARING 6200	1
4	SOCKET CAP SCREW M5x20	4	51	GASKET	1
5	SWITCH 110V&220V	1	52	SELECTOR DISC	1
6	PANHEAD TAPPING SCREW M4x10	1	53	SOCKET CAP SCREW M5x16	1
7	CABLE CLIP	1	54	GEAR SELECTOR	1
8	PANHEAD TAPPING SCREW M4x14	2	55	SPRING Ø0.6xØ3.8xØ5x11Tx35L	1
9	HANDLE HALF-RIGHT	1	56	RELEASE PIN	1
10	HANDLE HALF-LEFT	1	57	O-RING Ø20x3	1
11	BULLS-EYE LEVEL	1	58	NEEDLE BEARING HK 1010	1
12	SOCKET CAP SCREW M4x16	2	59	INTERNAL CIRCLIP IS14	1
13	LED INDICATOR LIGHT	1	60	OUTPUT GEAR M1.25x39T	1
14	BUTT PLATE	1	61	SPINDLE GEAR M1.25x50T	1
15	PANHEAD TAPPING SCREW M4x30	2	62	INTERNAL CIRCLIP IS18	1
16	ELECTRONICS UNIT 110V/220V	1	63	OUTPUT GEAR M1.25x58T	1
17	SOCKET CAP SCREW M5x60	8	64	OIL SEAL Ø22xØ32x7	1
18	MOTOR END CASTING	1	65	GEAR HOUSING	1
19	PANHEAD MACHINE SCREW M4x6	2	66	SPRING WASHER M5	4
20	BRUSH SPRING 0.4x4x3T	2	67	OIL SEAL Ø27xØ42x7	1
21	CARBON BRUSH 7x17x20	2	68	STAINLESS BUSHING	2
22	PANHEAD TAPPING SCREW M4x8	4	69	OIL SEAL Ø27xØ45x8	1
23	CARBON BRUSH HOLDER 7x17	2	70	EXTERNAL CIRCLIP S-28	1
24	BRUSH HOLDER PLATE	1	71	BALL BEARING 60/28	1
25	MOTOR HOUSING	1	72	PARALLEL KEY 5x5x40	1
26	NYLOCK NUT M5	2	73	SPINDLE SET 1 1/4"-7 x 1/2"BSP-222.7MM	1
27	INSULATING SLEEVE	2	74	INTERNAL CIRCLIP R-52	1
28	MOTOR INSULATION SLEEVE	1	75	DOWEL PIN Ø4x11.8	2
29	STATOR 110V/220V-94x54x55	1	76	ANTI-SEIZE CUP	1
30	PANHEAD MACHINE SCREW M5x80	2	77	O-RING Ø32x1.5	2
31	FAN BAFFLE	1	78	THRUST RING 3252	1
32	PANHEAD TAPPING SCREW M4x10	1	79	ANTI-SEIZE RING	1
33	FLAT WASHER Ø4xØ10x1	1	80	O-RING Ø49x1.5	1
34	RUBBER WASHER Ø4xØ11x1	1	81	HANDLE CLAMP	1
35	PICKUP MAGNET Ø8xØ15x5	1	82	SPACER Ø6.1xØ12x10	1
36	SPACER Ø8xØ12x10.5	1	83	THUMB SCREW M6x55	1
37	BALL BEARING 6200	1	84	FRONT HANDLE M12	1
38	ARMATURE 220V-94x54x55	1	85	WATER FEED CONNECTOR KIT	1
39	BALL BEARING 6201	1	86	WATER COUPLING 1/2'	1
40	OIL SEAL Ø12xØ22x7	1	87	PRCD INTERRUPTER PROTECTION 220V	1
41	GEAR PLATE	1	88	HEX BOLT M6x60	1
42	ROLL PIN Ø5x12	2	89	N/A	-
43	NEEDLE BEARING HK 0810	1	90	EXTERNAL STAR WASHER (M4)	1
44	CLUTCH NUT M12xP1.75x9T	1	91	N/A	-
45	CLUTCH DISC SET	1	92	WRENCH M32	1
46	PRESSURE DISC Ø34.8xØ16x2.5	1	A1	FRONT HANDLE M12	1
47	BUSHING Ø15.9xØ22x4.7	1	A2	PILOT DRILL SOCKET	1

Convertible Models: D-Handle Model Exploded View

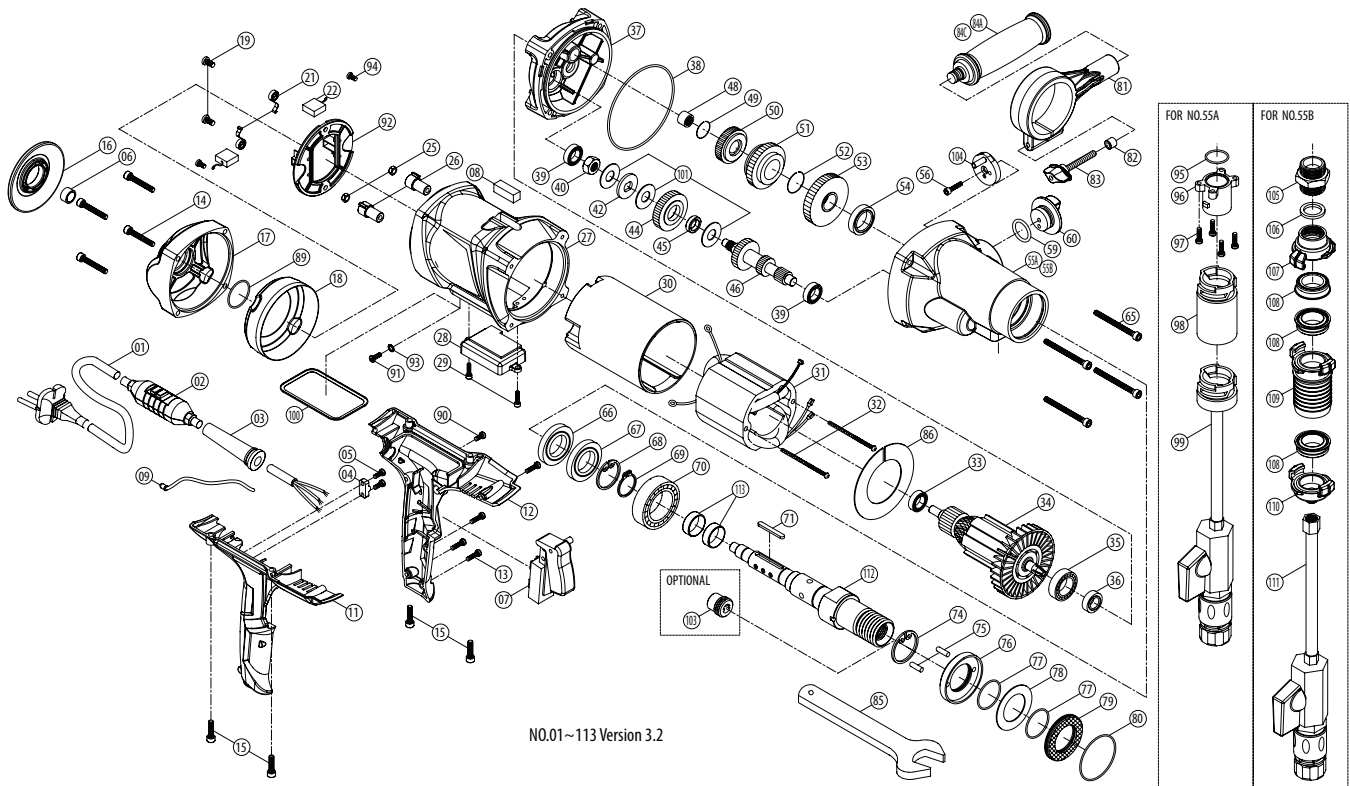


NO.01~114 Version 3.4

## Convertible Models: D-Handle Model Parts List

NO.	Parts Name	Q'TY	NO.	Parts Name	Q'TY
1	POWER SUPPLY CABLE	1	56	SOCKET CAP SCREW M5x12	1
2	PRCD INTERRUPTER PROTECTION 110V / 220V	1	57~58	N/A	-
3	CORD ARMOR	1	59	O-RING Ø20 x 3	1
4	CABLE CLIP	1	60	GEAR SELECTOR	1
5	PANHEAD TAPPING SCREW M4x14	2	61~64	N/A	-
6	BULLS-EYE LEVEL	1	65	SOCKET CAP SCREW M5x50	4
7	SWITCH 110V&220V	1	66	OIL SEAL Ø25 x Ø45 x 7	1
8	SPIRIT LEVEL 10x10x29	1	67	OIL SEAL Ø25 x Ø47 x 7	1
9	LED OVERLOAD LAMP 110V&220V	1	68	N/A	-
10	N/A	-	69	EXTERNAL CIRCLIP S-25	1
11	D-HANDLE HALF-RIGHT	1	70	BALL BEARING 6205	1
12	D-HANDLE HALF-LEFT	1	71	PARALLEL KEY 5x5x40	1
13	PANHEAD TAPPING SCREW M4x16	6	72~73	N/A	-
14	SOCKET CAP SCREW M5x40	4	74	INTERNAL CIRCLIP R-52	1
15	SOCKET CAP SCREW M5x16	4	75	DOWEL PIN Ø4 x 11.8	2
16	N/A	-	76	ANTI-SEIZE CUP	1
17	MOTOR END CASTING	1	77	O-RING Ø32 x 1.5	2
18	INSULATING COVER	1	78	THRUST RING	1
19	PANHEAD TAPPING SCREW M4x12	2	79	ANTI-SEIZE RING	1
20	N/A	-	80	O-RING Ø49 x 1.5	1
21	BRUSH SPRING 0.4x4x3T	2	81	HANDLE CLAMP	1
22	CARBON BRUSH 7x17x19/110V , 7x17x20/220V	2	82	SPACER Ø6.1xØ12x10	1
23~24	N/A	-	83	THUMB SCREW M6x55	1
25	NYLOCK NUT M5	2	84A	FRONT HANDLE M12xP1.75	1
26	INSULATING SLEEVE	2	84B	N/A	-
27	MOTOR HOUSING	1	84C	FRONT HANDLE M12	1
28	ELECTRONICS UNIT 110V / 220V	1	85	COMBINATION WRENCH M32	1
29	PANHEAD MACHINE SCREW M4x10	2	86	FAN BAFFLE Ø48xØ87.5x1	1
30	MOTOR INSULATION SLEEVE	1	87~88	N/A	-
31	STATOR 110V 220V-81x45.8x70	1	89	O-RING Ø30 x 1.5	1
32	PANHEAD MACHINE SCREW M5x95	2	90	PANHEAD MACHINE SCREW M4x8	1
33	BALL BEARING 6200	1	91	N/A	-
34	ARMATURE 110V 220V -81x45.8x70	1	92	BRUSH HOLDER PLATE ASSY.	1
35	BALL BEARING 6201	1	93	EXTERNAL STAR WASHER M4	1
36	OIL SEAL Ø12 x Ø22 x 7	1	94	PANHEAD MACHINE SCREW M4x6	2
37	GEAR PLATE	1	95	O-RING Ø22 x Ø25 x 1.5	1
38	O-RING Ø92 x 2	1	96	UNIVERSAL PORT	1
39	BALL BEARING 608	2	97	PANHEAD MACHINE SCREW M4x16	4
40	CLUTCH NUT M10	1	98	VACUUM ADAPTOR	1
41	N/A	-	99	WATER FEED CONNECTOR KIT 1/2"	1
42	PRESSURE DISC Ø12.1xØ28x2.65	1	100	GASKET	1
43	N/A	-	101	CLUTCH DISC SET	1
44	INPUT GEAR M1.0x38T	1	102	N/A	-
45	BUSHING Ø12xØ18x5	1	103	PILOT DRILL SOCKET	1
46	INPUT SHAFT M1.25x24Tx12T1x8T	1	104	SELECTOR DISC	1
47	N/A	-	105	NIPPLE 3/4"PS-14	1
48	NEEDLE BEARING HK 1010	1	106	SEAL Ø19xØ26x3	1
49	INTERNAL CIRCLIP IS14	1	107	GEKA FEMALE CLAW 3/4"BSP	1
50	OUTPUT GEAR M1.25 x 29T	1	108	SEAL	3
51	SPINDLE GEAR M1.25x42T	1	109	GEKA HOSE CLAW 1-1/2"	1
52	INTERNAL CIRCLIP IS18	1	110	GEKA MALE CLAW 1/4"BSP	1
53	OUTPUT GEAR M1.25 x 46T	1	111	WATER FEED CONNECTOR KIT	1
54	OIL SEAL Ø22 x Ø32 x 7	1	112	SPINDLE SET 1-1/4"-7 x 1/2"BSP	1
55A	GEAR HOUSING	1	113	STAINLESS BUSHING Ø23xØ25x9	2
55B	GEAR HOUSING	1	114	FLAG TERMINAL	1

Convertible Models: Pistol-Handle Model Exploded View



## Convertible Models: Pistol-Handle Model Parts List

NO.	Parts Name	Q'TY	NO.	Parts Name	Q'TY
1	POWER SUPPLY CABLE	1	56	SOCKET CAP SCREW M5x12	1
2	PRCD INTERRUPTER PROTECTION 110V/220V	1	57~58	N/A	-
3	CORD ARMOR	1	59	O-RING Ø20 x 3	1
4	CABLE CLIP	1	60	GEAR SELECTOR	1
5	PANHEAD TAPPING SCREW M4x14	2	61~64	N/A	-
6	BULLS-EYE LEVEL	1	65	SOCKET CAP SCREW M5x50	4
7	SWITCH 110V&220V	1	66	OIL SEAL Ø25 x Ø45 x 7	1
8	SPIRIT LEVEL 10x10x29	1	67	OIL SEAL Ø25 x Ø47 x 7	1
9	LED OVERLOAD LAMP 110V & 220V	1	68	N/A	-
10	N/A	-	69	EXTERNAL CIRCLIP S-25	1
11	HANDLE HALF-RIGHT	1	70	BALL BEARING 6205	1
12	HANDLE HALF-LEFT	1	71	PARALLEL KEY 5x5x40	1
13	PANHEAD TAPPING SCREW M4x16	4	72~73	N/A	-
14	SOCKET CAP SCREW M5x30	4	74	INTERNAL CIRCLIP R-52	1
15	SOCKET CAP SCREW M5x20	4	75	DOWEL PIN Ø4 x 11.8	2
16	BUTT PLATE	1	76	ANTI-SEIZE CUP	1
17	MOTOR END CASTING	1	77	O-RING Ø32 x 1.5	2
18	INSULATING COVER	1	78	THRUST RING 3252-B	1
19	PANHEAD TAPPING SCREW M4x12	2	79	ANTI-SEIZE RING	1
20	N/A	-	80	O-RING Ø49 x 1.5	1
21	BRUSH SPRING 0.4x4x3T	2	81	HANDLE CLAMP	1
22	CARBON BRUSH 7x17x19/110V , 7x17x20/220V	2	82	SPACER Ø6.1xØ12x10	1
23~24	N/A	-	83	THUMB SCREW M6x55	1
25	NYLOCK NUT M5	2	84A	FRONT HANDLE (M12xP1.75)/M12	1
26	INSULATING SLEEVE	2	84B	N/A	-
27	MOTOR HOUSING	1	84C	FRONT HANDLE M12	1
28	ELECTRONICS UNIT 110V / 220V	1	85	WRENCH (M32)	1
29	PANHEAD MACHINE SCREW M4x10	2	86	FAN BAFFLE Ø48xØ87.5x1	1
30	MOTOR INSULATION SLEEVE	1	87~88	N/A	-
31	STATOR 110V / 220V-81x45.8x70	1	89	O-RING Ø30 x 1.5	1
32	PANHEAD MACHINE SCREW M5x95	2	90	PANHEAD TAPPING SCREW-B M4x8	1
33	BALL BEARING 6200	1	91	PANHEAD MACHINE SCREW M4x8	1
34	ARMATURE 110V 220V -81x45.8x70	1	92	BRUSH HOLDER PLATE ASSY.	1
35	BALL BEARING 6201	1	93	EXTERNAL STAR WASHER M4	1
36	OIL SEAL Ø12 x Ø22 x 7	1	94	PANHEAD MACHINE SCREW M4x6	2
37	GEAR PLATE	1	95	O-RING Ø22 x Ø25 x 1.5	1
38	O-RING Ø92 x 2	1	96	UNIVERSAL PORT	1
39	BALL BEARING 608	2	97	PANHEAD MACHINE SCREW M4x16	4
40	CLUTCH NUT M10	1	98	VACUUM ADAPTOR	1
41	N/A	-	99	WATER FEED CONNECTOR KIT 1/2"	1
42	PRESSURE DISC Ø12.1xØ28x2.65	1	100	GASKET	1
43	N/A	-	101	CLUTCH DISC SET	1
44	INPUT GEAR M1.0x38T	1	102	N/A	-
45	BUSHING Ø12xØ18x5	1	103	PILOT DRILL SOCKET	1
46	INPUT SHAFT M1.25x24Tx12Tx8T	1	104	SELECTOR DISC	1
47	N/A	-	105	NIPPLE 3/4"PS-14	1
48	NEEDLE BEARING HK 1010	1	106	SEAL Ø19xØ26x3	1
49	INTERNAL CIRCLIP IS14	1	107	GEKA FEMALE CLAW 3/4"BSP	1
50	OUTPUT GEAR M1.25 x 29T	1	108	SEAL	3
51	SPINDLE GEAR M1.25x42T	1	109	GEKA HOSE CLAW 1-1/2"	1
52	INTERNAL CIRCLIP IS18	1	110	GEKA MALE CLAW 1/4"BSP	1
53	OUTPUT GEAR M1.25 x 46T	1	111	WATER FEED CONNECTOR KIT	1
54	OIL SEAL Ø22 x Ø32 x 7	1	112	SPINDLE SET 1-1/4"-7 x 1/2"BSP	1
55A	GEAR HOUSING	1	113	STAINLESS BUSHING Ø23xØ25x9	2
55B	GEAR HOUSING	1			