

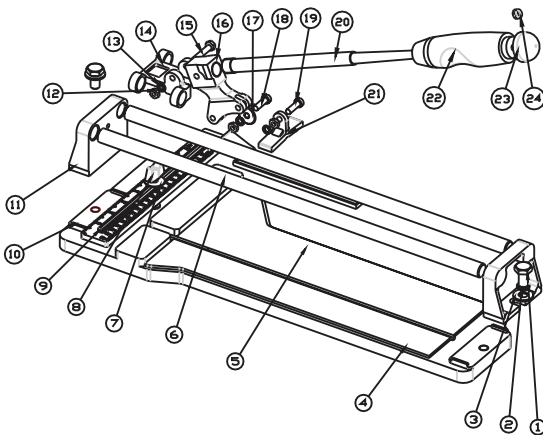
EXTRA CUTTING WHEEL STORAGE

The 13 in. Brutus Tile Cutter features a convenient storage compartment in the handle, for spare 7/8 in. cutting wheels (Fig 5). Simply unscrew the handle end to open.



FIG. 5

PARTS LIST



1	bolt
2	spring washer
3	flat washer
4	sponge cushion 1
5	sponge cushion 2
6	sliding bar
7	washer
8	guide knob
9	ruler
10	base
11	support
12	nut
13	spring washer
14	slide
15	bolt
16	connector
17	cutting wheel
18	bolt
19	bolt
20	push bar
21	breaker foot
22	handle base
23	handle cover
24	flange nut

GENERAL MAINTENANCE

1. Oil should not be used on the 13000 Brutus Tile Cutter. Use of oil will cause eventual gumming and sticking of the movable parts as the oil combines with dirt and ceramic tile dust.
2. Wear is normal in the chrome plated rails and can be evenly distributed by occasional rotation of each of the two rails. For cutters with hex bolts holding the rails, loosen each hex bolt and slightly rotate the rails. Retighten the hex bolts when finished.
3. The only part routinely needing replacement is the carbide scoring wheel. All other parts are also available, if needed.