

REVISED STARTING SERIAL NO. 060610304

PARTS MANUAL Model SK-14



14" DOWNCUT CONCRETE/ASPHALT WALK BEHIND SAWS

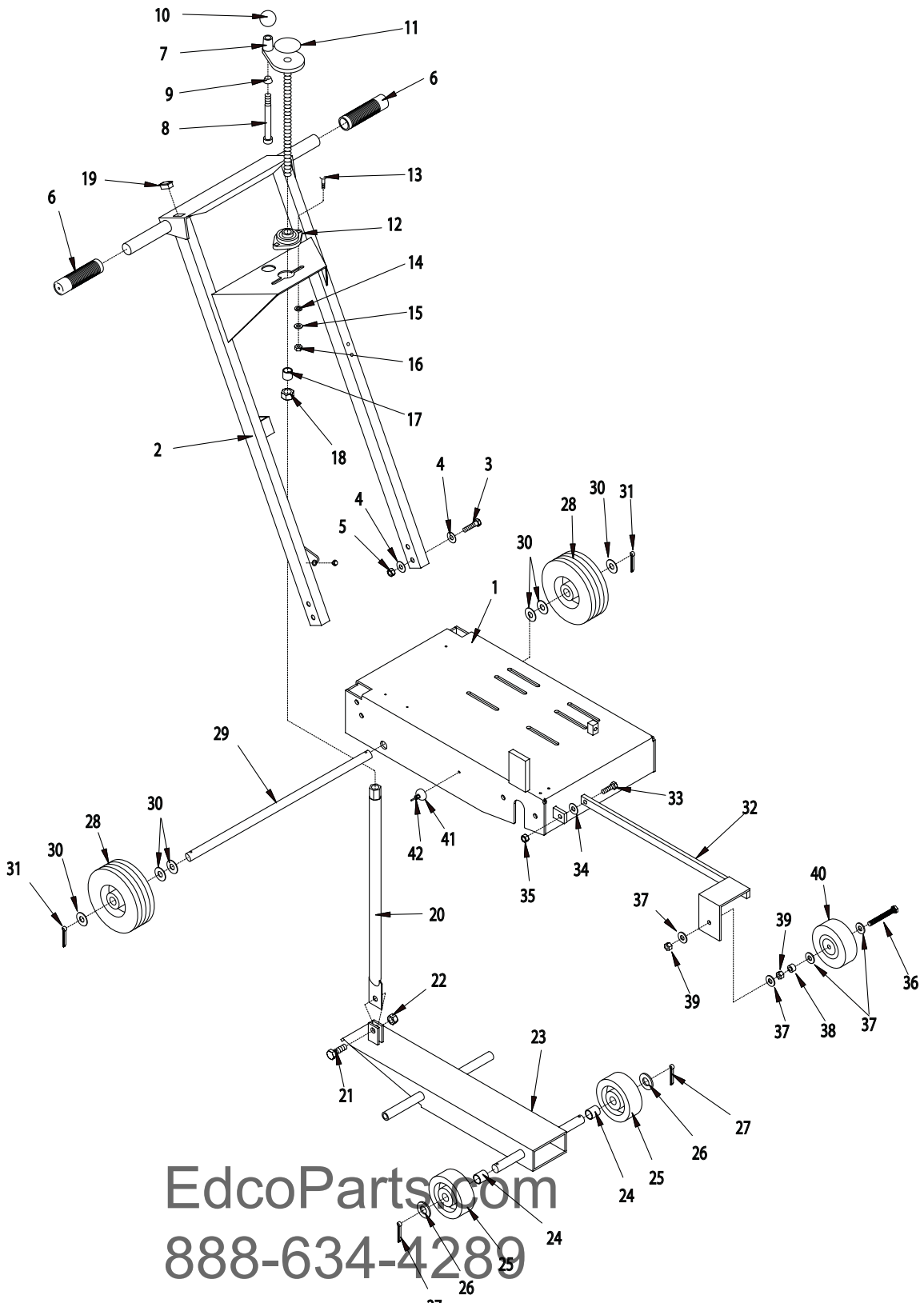
| SKU NO. | MODEL | POWER OPTION |
|---------|-------------|-----------------------------|
| 45400D | SK14-9H | HONDA ENGINE 9 HP GX270 |
| 45600D | SK14-11H | HONDA ENGINE 11 HP GX340 |
| 48100D | SK14-13H | HONDA ENGINE 13 HP GX390 |
| 49800D | SK14-13.5RS | ROBIN SUBARU ENGINE EH41 |
| 45500 | SK14-9RS | ROBIN SUBARU ENGINE EX27 |
| 48900D | SK14-12KC | KOHLER COMMAND ENGINE CS12T |

EdcoParts.com

888-634-4289

An IRV Stores Company

ILLUSTRATION 1: MAIN FRAME GROUPING



EdcoParts.com
888-634-4289
An iBuy Stores Company

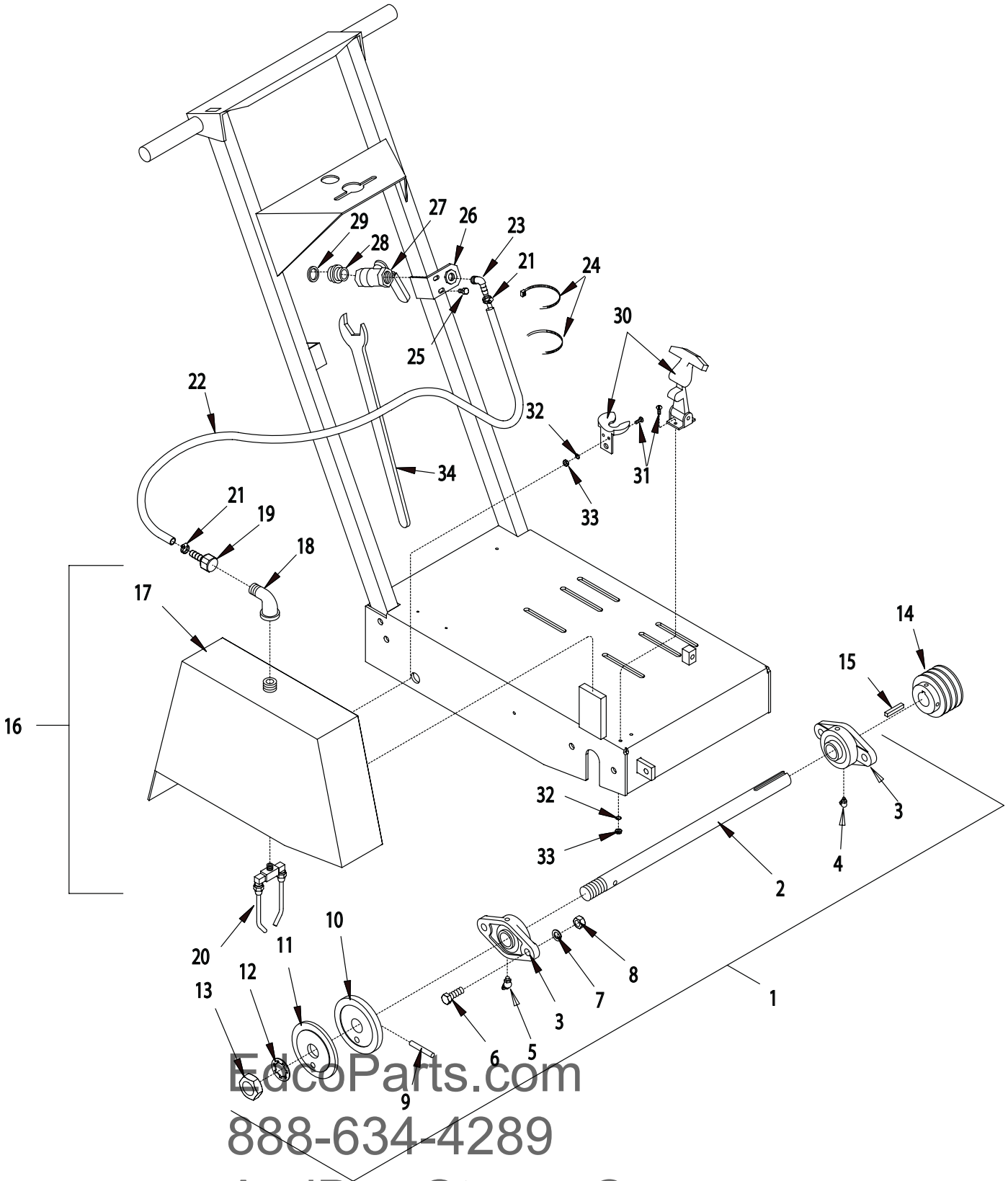
| PARTS LISTING - ILLUSTRATION 1: MAIN FRAME GROUPING | | | |
|--|--------|--|------|
| ITEM # | PART # | DESCRIPTION | QTY. |
| 1 | 52070 | MAIN FRAME | 1 |
| 2 | 52021 | HANDLE BAR | 1 |
| 3 | 10029 | SCREW, CAP 3/8-24 x 1-3/4 | 4 |
| 4 | 10025 | WASHER, FLAT 3/8 | 8 |
| 5 | 10004 | NUT, LOCK 3/8-24 | 4 |
| 6 | 10608 | GRIP, HAND 1" MODEL AT | 2 |
| 7 | 80008 | HANDWHEEL, SMALL w/ 5/8-11 x 12" ROD | 1 |
| 8 | 10411 | SCREW, SKT. HD. CAP 1/2-13 x 4 | 1 |
| 9 | 50550 | SLEEVE FOR 1/2" CAPSCREW, TAPERED | 1 |
| 10 | 14023 | KNOB, BALL 1-3/8" DIA. w/ 1/2-13 THD. | 1 |
| 11 | 80007 | DECAL, "CUT CONTROL" (SMALL) | 1 |
| 12 | 80009 | BEARING, BALL 5/8" 2-HOLE FLANGE (NO G.F.) | 1 |
| 13 | 10412 | BOLT, CARRIAGE 1/4-20 x 1 | 2 |
| 14 | 10213 | WASHER, FLAT 5/16 | 2 |
| 15 | 10602 | WASHER, FLAT 1/4 | 2 |
| 16 | 10861 | NUT, KEPS 1/4-20 | 2 |
| 17 | 55010 | SPACER, HANDWHEEL 5/8" ID x 3/4 | 1 |
| 18 | 10046 | NUT 5/8-11 | 1 |
| 19 | 15204 | PLUG, RECT. HOLE, PLASTIC SNAP-IN | 1 |
| 20 | 52016 | LINKAGE, CUT CONTROL | 1 |
| 21 | 10321 | SCREW, CAP 1/2-20 x 1-1/4 | 1 |
| 22 | 10205 | NUT, LOCK 1/2-20 | 1 |
| 23 | 52061 | FORK | 1 |
| 24 | 52010 | SPACER, FRONT WHEEL 3/4 ID x 15/16 | 2 |
| 25 | 52001 | WHEEL, ALUM. 4 x 1-1/2 x 3/4" BRG. | 2 |
| 26 | 10009 | WASHER, FLAT 3/4 | 2 |
| 27 | 10306 | PIN, COTTER 3/16 x 1-1/4 | 2 |
| 28 | 79013 | WHEEL 8 X 2-1/2 X 3/4" BRG. | 2 |
| 29 | 52062 | AXLE SHAFT 3/4 DIA. x 19-1/4" L | 1 |
| 30 | 10009 | WASHER, FLAT 3/4 | 6 |
| 31 | 10306 | PIN, COTTER 3/16 x 1-1/4 | 2 |
| 32 | 52007 | GUIDE BAR | 1 |
| 33 | 10021 | SCREW, CAP 3/8-24 x 1 | 1 |
| 34 | 10025 | WASHER, FLAT 3/8 | 1 |
| 35 | 10004 | NUT, LOCK 3/8-24 | 1 |
| 36 | 10885 | SCREW, CAP 3/8-24 x 3 | 1 |
| 37 | 10025 | WASHER, FLAT 3/8 | 4 |
| 38 | 10011 | SPACER, STEEL 5/8 OD x 3/8 ID x 3/8 | 1 |
| 39 | 10004 | NUT, LOCK 3/8-24 | 2 |
| 40 | 50024 | WHEEL, 4 x 1-3/8 x 3/8" BORE | 1 |
| 41 | 52022 | BUMPER, RUBBER 1" OD x 3/16 ID x 7/16 H | 1 |
| 42 | 52023 | RIVET, BLIND 3/16 x .7" x .375 HD | 1 |

EdcoFarts.com

888-634-4289

An iBuy Stores Company

ILLUSTRATION 2: ARBOR & BLADE GUARD GROUPING



EdcoParts.com

888-634-4289

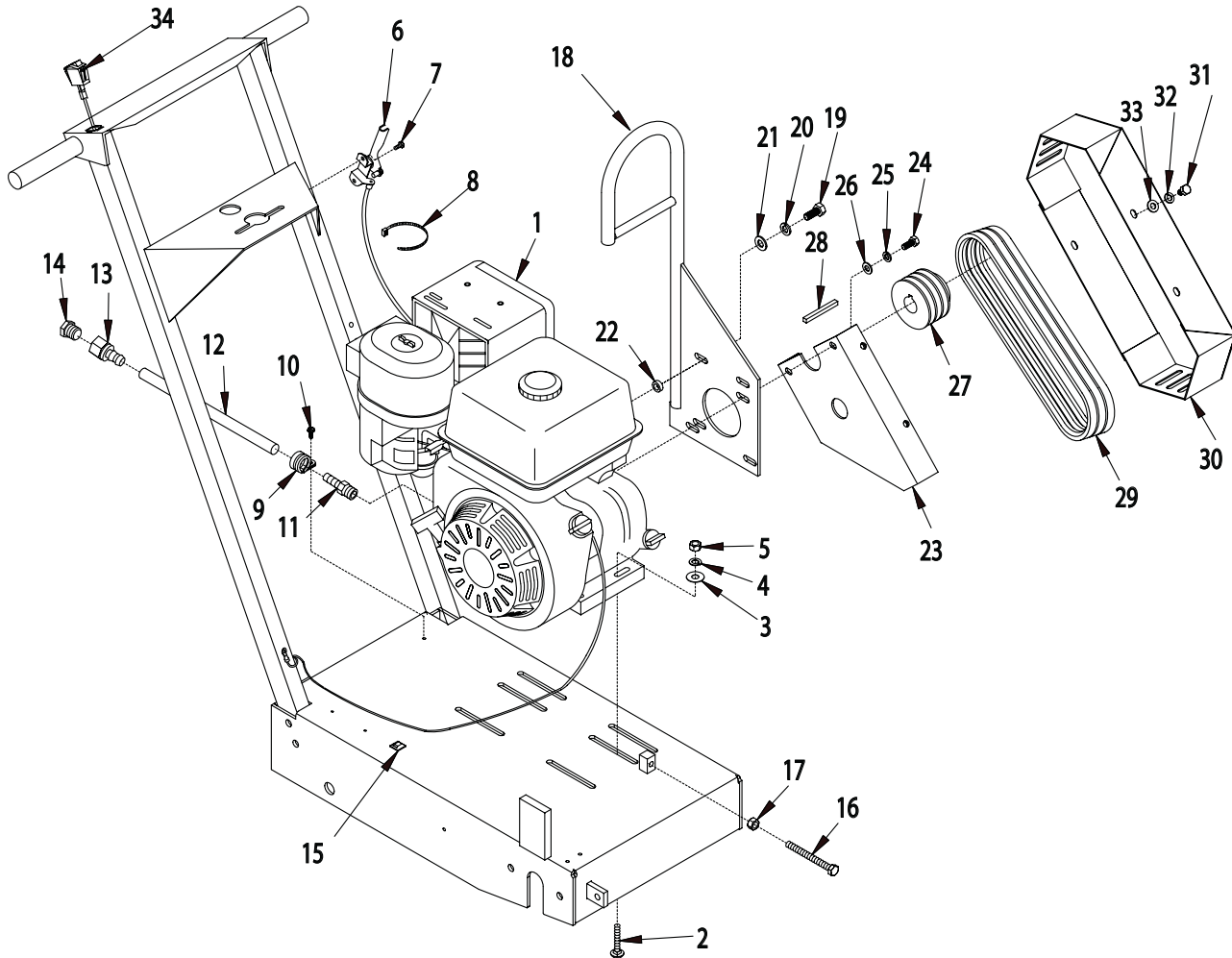
An iBuy Stores Company

PARTS LISTING - ILLUSTRATION 2 : ARBOR & BLADE GUARD GROUPING

| ITEM # | PART # | DESCRIPTION | QTY. |
|--------|--------|---|------|
| 1 | 69050A | ARBOR ASSEMBLY COMPLETE (ITEMS 2 -13) | 1 |
| 2 | 69050 | ARBOR SHAFT 1" DIA. x 19-1/4 | 1 |
| 3 | 62022 | BEARING , BALL 1" 2-HOLE FLANGE | 2 |
| 4 | 10961 | FITTING, GREASE 1/4-28 x 90° | 1 |
| 5 | 10960 | FITTING, GREASE 1/4-28 x 45° | 1 |
| 6 | 10003 | SCREW, CAP 7/16-20 x 1-1/4 | 4 |
| 7 | 10450 | WASHER, LOCK 7/16 | 4 |
| 8 | 10481 | NUT 7/16-20 | 4 |
| 9 | 10211 | PIN, ROLL 5/16 x 2 | 1 |
| 10 | 56026 | ARBOR BACKING PLATE 4" DIA. | 1 |
| 11 | 56025 | ARBOR BLADE CAP 4" DIA. w/ 1" HOLE | 1 |
| 12 | 55009 | WASHER, LOCK, INT. TOOTH 1" | 1 |
| 13 | 50019 | NUT, JAM 1-14 | 1 |
| 14 | 80027 | SHEAVE, 3" OD x 3Gr.A x 1" BORE | 1 |
| 15 | 10115 | KEY 1/4 SQ. x 2 | 1 |
| 16 | 52005A | BLADE GUARD ASSEMBLY COMPLETE (INCLUDES ITEMS 17 - 20. NOTE: ALSO INCLUDES LATCH KEEPER BRACKET, SEE ITEM 30) | 1 |
| 17 | 52005 | GUARD, BLADE 14" | 1 |
| 18 | 10724 | ELBOW, STREET 1/2 NPT x 90° (BLACK) | 1 |
| 19 | 10729 | BARB, 3/8HOSE X 1/2FPT | 1 |
| 20 | 81004 | NOZZLE, COOLANT 1/8 MPT w/ 4" TUBES | 1 |
| 21 | 50069 | CLAMP, HOSE, SAE #6, ADJ. TO 13/16 | 2 |
| 22 | 56023 | HOSE, WATER 3/8"ID X 43"L | 1 |
| 23 | 10799 | BARB ELBOW 90, 3/8HOSE X 1/4MPT | 1 |
| 24 | 10982 | TIE, CABLE, BLACK NYLON 11-1/4" | 2 |
| 25 | 10846 | SCREW, CAP STSHW 1/4-20 X 1/2 | 2 |
| 26 | 56022 | BRACKET, WATER VALVE | 1 |
| 27 | 10711 | VALVE, BALL 1/2 FPT | 1 |
| 28 | 80021 | CONN., SWIVEL FEMALE 3/4 HOSE x 1/2 MPT INCLUDES HOSE WASHER, ITEM # 29 | 1 |
| 29 | 10070 | WASHER, HOSE 3/4 | 1 |
| 30 | 52002 | LATCH, FLEXIBLE DRAW w/ T-HANDLE&KEEPER BRKT. | 1 |
| | 52002K | LATCH KEEPER BRACKET ONLY | |
| 31 | 10830 | SCREW, MACHINE 10-32 x 1/2 | 1 |
| 32 | 10831 | WASHER, LOCK, INT TOOTH # 10 | 4 |
| 33 | 10832 | NUT 10-32 | 4 |
| 34 | 50445 | WRENCH, ARBOR L-1/2 | 2 |

EdcoParts.com
888-634-4289
An iBuy Stores Company

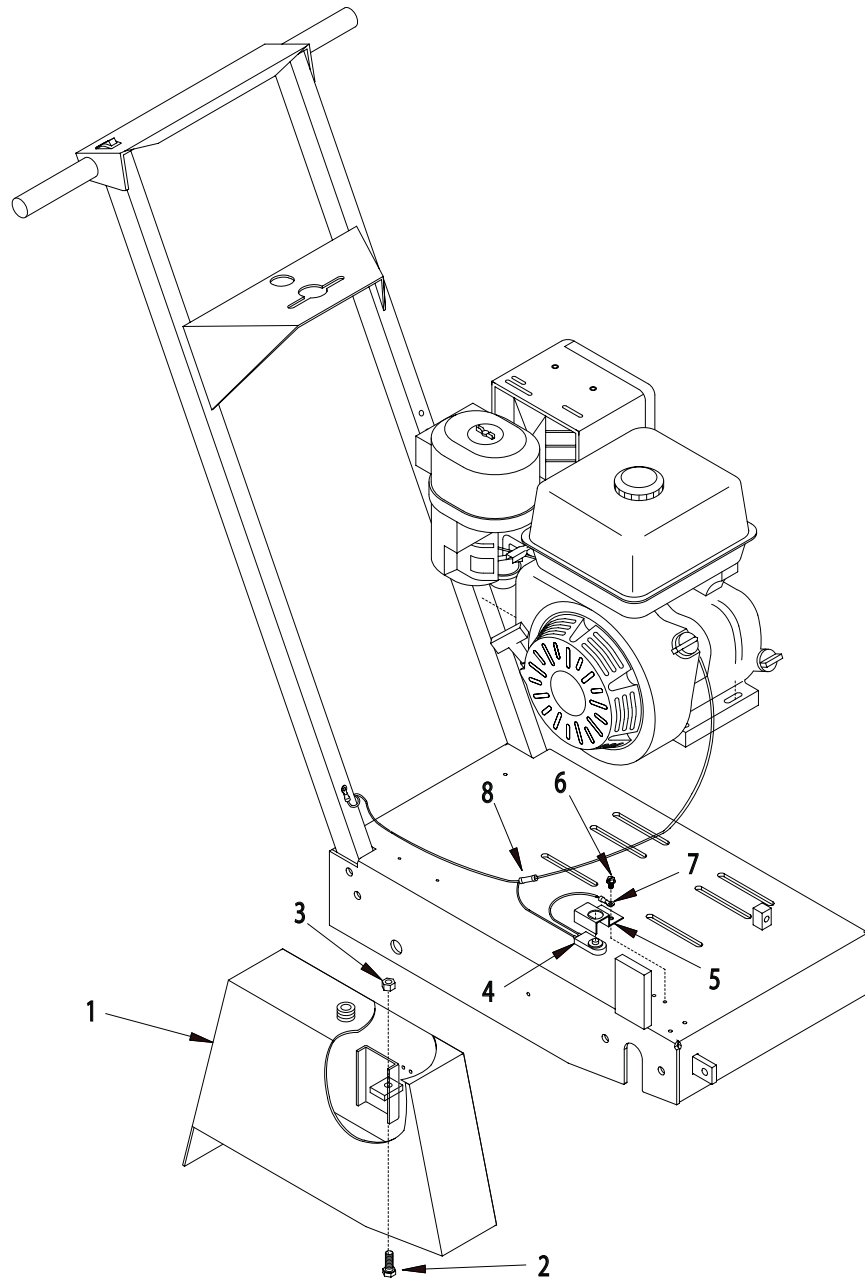
ILLUSTRATION 3: ENGINE GROUPING



| ITEM# | PART# | DESCRIPTION | QTY. | ITEM# | PART# | DESCRIPTION | QTY. |
|-------|-------|--|------|-------|--------|---|------|
| 1 | | ENGINE, | 1 | 16 | 52015 | BOLT, TAP 3/8-16 x 3-1/2 (FULL THREAD) | 1 |
| | 15027 | HONDA 9HP GX270-QXC9 | | 17 | 10404 | NUT 3/8-16 | 1 |
| | 79045 | HONDA 11HP GX340 K1-QXC9 | | 18 | 30101 | LIFTING BAIL, HORZ. SHAFT (HONDA ONLY) | 1 |
| | 15029 | HONDA 13HP GX390K1-QXC9 | | 19 | 10055 | SCREW, CAP 3/8-16 X 1 | |
| | 15063 | ROBIN SUBARU 9 HP EX27 CYC. | | 20 | 10811 | WASHER, LOCK 3/8 | |
| | 15066 | ROBIN SUBARU 13.5 HP EH41 CYC. | | 21 | 10025 | WASHER, FLAT 3/8 SAE | |
| | 15045 | KOHLER 12HP COMMAND CS12T | | 22 | 10113 | SPACER, STEEL 9/16OD X 3/8ID X 7/32 | |
| 2 | 10918 | BOLT, CARRIAGE 5/16-18 x 1-3/4 | 4 | 23 | 52072 | BRACKET, BELT COVER | 1 |
| 3 | 10213 | WASHER, FLAT 5/16 | 4 | 24 | 10048 | SCREW, CAP 5/16-24 X 3/4 | |
| 4 | 10801 | WASHER, LOCK 5/16 | 4 | 25 | 10801 | WASHER, LOCK 5/16 | |
| 5 | 10054 | NUT 5/16-18 | 4 | 26 | 10213 | WASHER, FLAT 5/16 SAE | |
| 6 | 40388 | CABLE, THROTTLE, LEVER-TYPE 24" | 1 | 27 | 80027 | SHEAVE 3" OD x 3Gr.A x 1" BORE | 1 |
| 7 | 10877 | SCREW, CAP STSHW 10-24 x 1/2 | 2 | 28 | 10307 | KEY 1/4 SQ. x 2-1/4 | |
| 8 | 10982 | TIE, CABLE, BLACK NYLON 11-1/4 | 1 | 29 | 10253 | BELT AX-27 | 3 |
| 9 | 11565 | CLAMP, LOOM, 5/8" (SAE SIZE 10) | 1 | 30 | 52071 | COVER, BELT | 1 |
| 10 | 10877 | SCREW, CAP STSHW 10-24 x 1/2 | 1 | 31 | 10018 | SCREW, CAP 1/4-20 X 3/4 | 3 |
| 11 | 11542 | BARB, PUSH-ON 3/8 HOSE x 12mm x 1.5 MALE | 1 | 32 | 10038 | WASHER, LOCK 1/4 | 3 |
| 12 | 52063 | HOSE, PUSH-ON 3/8" ID x 10-1/2"L | 1 | 33 | 10602 | WASHER, FLAT 1/4 SAE | 3 |
| 13 | 11544 | BARB, PUSH-ON 3/8 HOSE x 1/4 FPT | 1 | 34 | 15201A | SWITCH SUBASSY., ROCKER ON-OFF (INCLUDES WIRES) | 1 |
| 14 | 10776 | PIPE PLUG 1/4 NPT (BRASS) | 1 | | 15201 | SWITCH ONLY, ROCKER ON-OFF | |
| 15 | 36042 | CLIP, ADHESIVE BACK CORD 5/8x5/8 | 1 | | | | |

EdcoParts.com
 888-634-4289
 An iBuy Stores Company

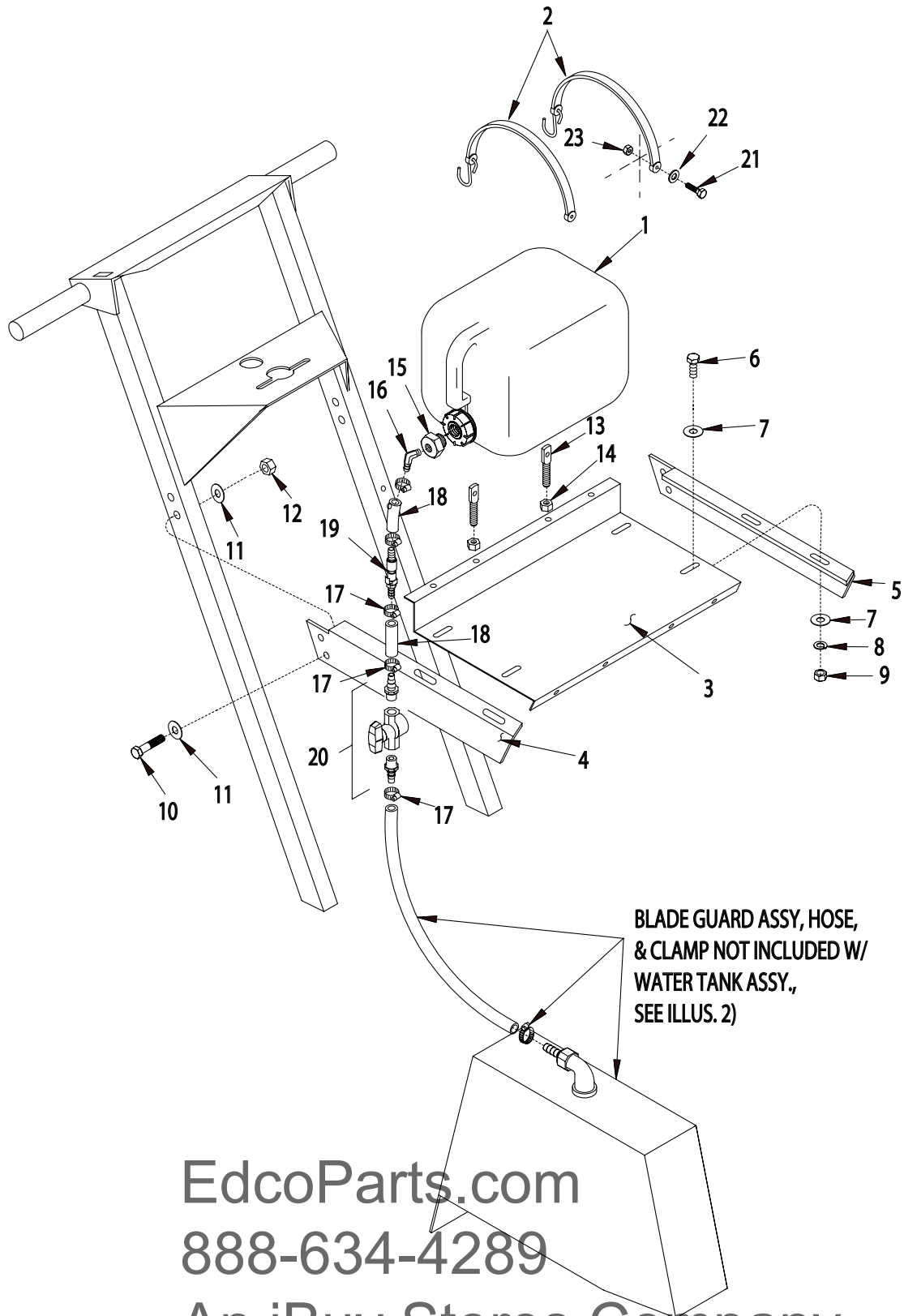
ILLUSTRATION 4: CE BLADE GUARD WITH SAFETY SWITCH



| ITEM # | PART # | DESCRIPTION | QTY. |
|--------|--------|---|------|
| 1 | 52005E | GUARD, BLADE 14" CE (REFER TO ILLUS. 2 FOR OTHER PARTS) | 1 |
| 2 | 10021 | SCREW, CAP 3/8-24 x 1 | 1 |
| 3 | 10014 | NUT 3/8-24 | 1 |
| 4 | 52040 | SWITCH, WATERPROOF, 2 WIRE N/C | 1 |
| 5 | 52041 | BRACKET, SAFETY SWITCH | 1 |
| 6 | 10877 | SCREW, CAP ST HW 10-24 x 1/2 | 2 |
| 7 | 50084 | TERM., RING # 10-16-14 GA. INSULATED | 1 |
| 8 | 10938 | CONNECTOR, BUTT 16-14 GA. INSULATED | 1 |

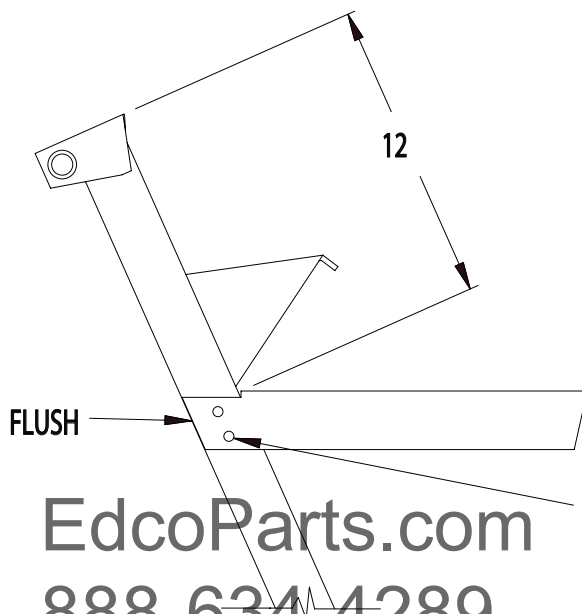
An iBuy Stores Company

**ILLUSTRATION 5: OPTIONAL WATER TANK ASSEMBLY
PART # 52030**



EdcoParts.com
888-634-4289
An iBuy Stores Company

| PARTS LISTING : ILLUSTRATION 5: OPTIONAL WATER TANK ASSEMBLY | | | |
|---|--------|--|------|
| ITEM # | PART # | DESCRIPTION | QTY. |
| 1 | 52031 | DRUM, PLASTIC 5 GALLON, 3/4 NPT CAP | 1 |
| 2 | 52035 | TIE-DOWN STRAP, MOLDED RUBBER 24" | 2 |
| 3 | 52036 | TRAY, WATER TANK | 1 |
| 4 | 52037 | MOUNT BRACKET, WATER TANK (RIGHT) | 1 |
| 5 | 52038 | MOUNT BRACKET, WATER TANK (LEFT) | 1 |
| 6 | 10053 | SCREW, CAP 5/16-18 x 3/4 | 4 |
| 7 | 10213 | WASHER, FLAT 5/16 | 8 |
| 8 | 10801 | WASHER, LOCK 5/16 | 4 |
| 9 | 10054 | NUT 5/16-18 | 4 |
| 10 | 10029 | SCREW, CAP 3/8-16 x 1-3/4 | 4 |
| 11 | 10025 | WASHER, FLAT 3/8 | 8 |
| 12 | 10004 | NUT, LOCK 3/8-16 | 4 |
| 13 | 10843 | BOLT, SPADE 3/8-16 x 1- 5/8 | 2 |
| 14 | 10810 | NUT, LOCK 3/8-16 | 4 |
| 15 | 52034 | BUSHING, HEX 3/4 x 1/4 NPT (BRASS) | 1 |
| 16 | 10799 | BARB, ELBOW 90° 3/8 HOSE x 1/4 MPT (BRASS) | 1 |
| 17 | 50069 | CLAMP, HOSE, SAE #6, ADJ. TO 13/16 | 5 |
| 18 | 52028 | HOSE, WATER, 3/8 x 1-3/4 | 2 |
| 19 | 11637 | COUPLING, QUICK-DISCONNECT 3/8" (SPECIAL FITTING w/ SHUT-OFF) | 1 |
| 20 | 52032 | VALVE KIT, STOPCOCK 1/4 NPT (INCLUDES FITTINGS) | 1 |
| 21 | 10031 | SCREW, CAP 1/4-20 x 1 | 2 |
| 22 | 10213 | WASHER, FLAT 5/16 | 2 |
| 23 | 10015 | NUT, LOCK 1/4-20 | 2 |



EdcoParts.com
888-634-4289

LOCATE MOUNT BRACKET
ON BOTH SIDES OF
HANDLE BAR AND DRILL
THRU 3/8 DIA., 4 PLACES.

An iBuy Stores Company