

REVISED STARTING
SERIAL # 130910012

PARTS LIST MANUAL

MODEL TS-8 TILESHARK



8" MANUAL FLOOR STRIPPERS

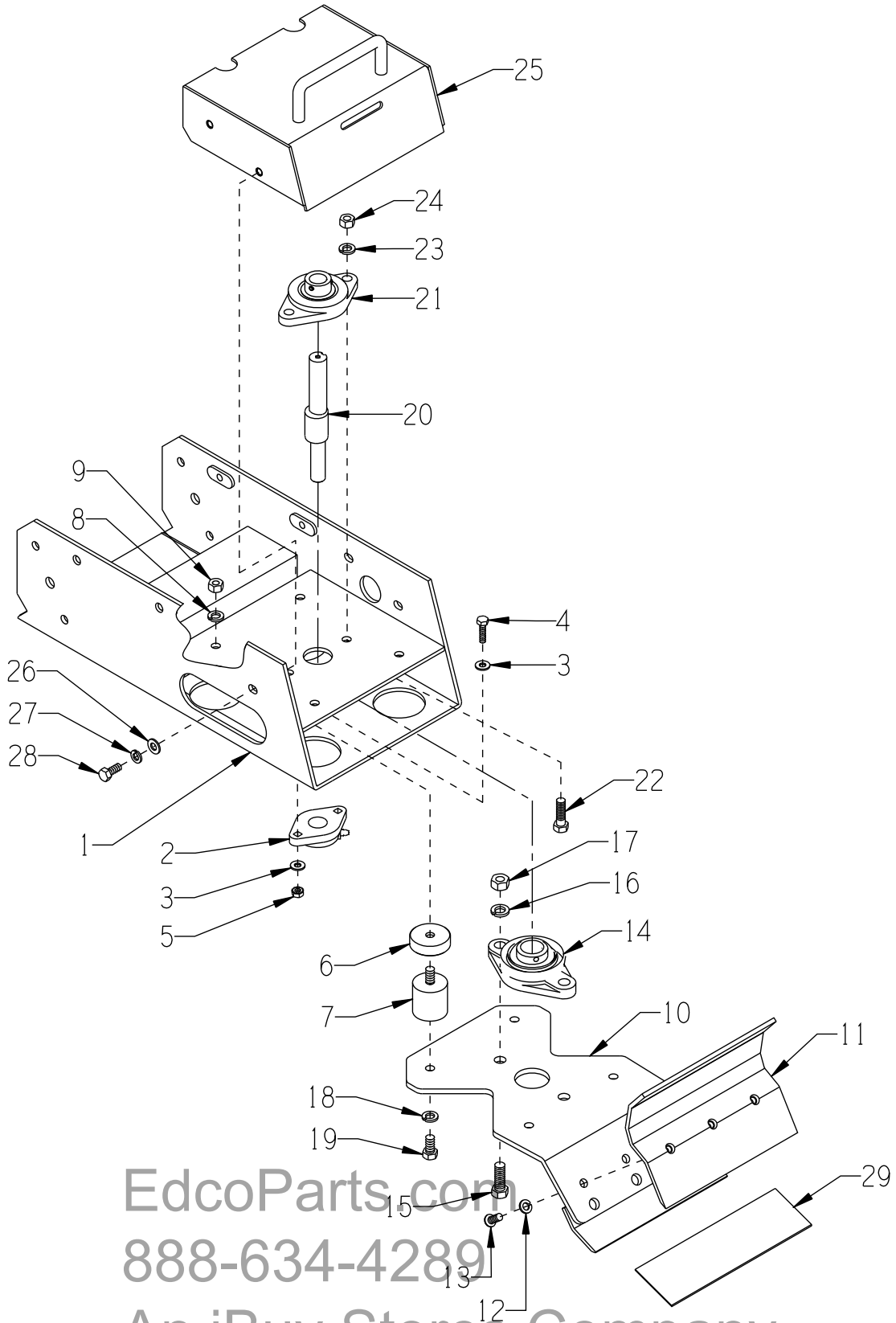
SKU #	MODEL #	POWER OPTION
94400	TS8-.75L	LEESON ELECTRIC MOTOR .75HP 1PH 60Hz 115/230V
44500	TS8-.75L/50	LEESON ELECTRIC MOTOR .75HP 1PH 50Hz 110/220V

Edcor parts.com

888-634-4289

An iBuy Stores Company

ILLUSTRATION 1: MAIN GROUPING



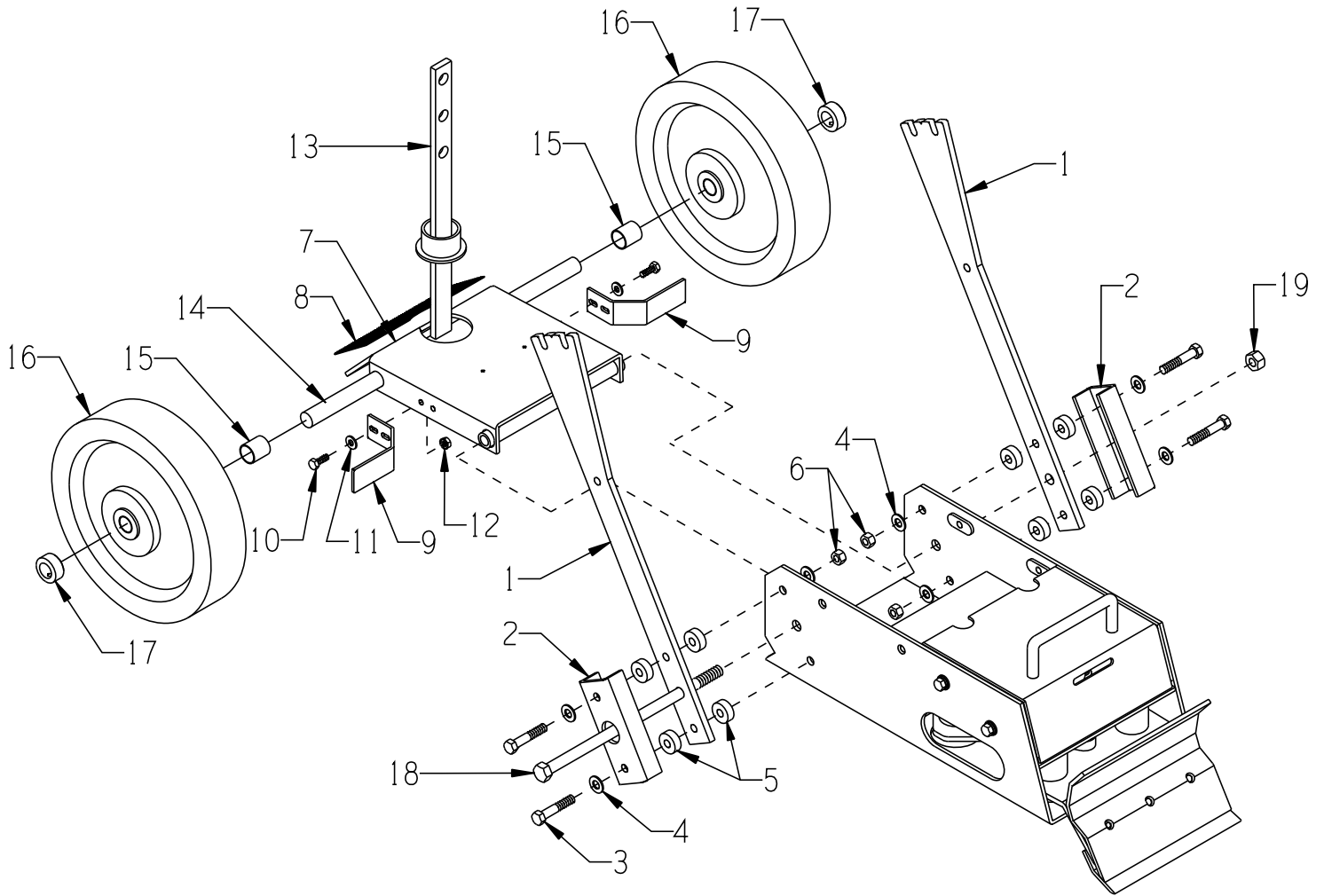
EdcoParts.com
888-634-4289
An iBuy Stores Company

**PARTS LISTING
ILLUSTRATION 1 : MAIN GROUPING**

ITEM #	PART #	DESCRIPTION	QTY.
1	28101	MAIN FRAME, TILE SHARK	1
2	80009G	BEARING, BALL 5/8" 2-HOLE (W/ G.F.)	1
3	10602	WASHER, FLAT 1/4 SAE ZINC	2
4	10031	SCREW, CAP 1/4-20 X 1	2
5	10861	NUT, KEPS LOCK 1/4-20 ZINC	2
6	28148	ISOLATOR CUP, TILE SHARK	4
7	28115	MOUNT, FLEX-BOLT SANDWICH 3/8-16	4
8	10811	WASHER, LOCK 3/8 ZINC	4
9	10404	NUT, HEX 3/8-16 ZINC	4
10	28145	STRIKER PLATE, TILE SHARK	1
11	28146	RETAINER, SCRAPER BLADE	1
12	10801	WASHER, LOCK 5/16 ZINC	3
13	10627	SCREW, SKT. BUTTON HD. 5/16-18 X 3/4	3
14	62022	BEARING, BALL 1" 2-HOLE FLANGE	1
15	10003	SCREW, CAP 7/16-20 X 1-1/4 ZINC	2
16	10450	WASHER, LOCK 7/16 ZINC	2
17	10481	NUT, HEX 7/16-20 ZINC	2
18	10811	WASHER, LOCK 3/8 ZINC	4
19	10907	SCREW, CAP 3/8-16 X 3/4	4
20	28116	CAM SHAFT, STRIKER PLATE, TS-8	1
21	50049	BEARING, BALL 3/4" 2-HOLE FLANGE	1
22	10309	SCREW, CAP 3/8-24 X 1-1/4 ZINC	2
23	10811	WASHER, LOCK 3/8 ZINC	2
24	10014	NUT, HEX 3/8-24 ZINC	2
25	28137	HOOD, TILE SHARK	1
26	10213	WASHER, FLAT 5/16 SAE ZINC	4
27	10801	WASHER, LOCK 5/16 ZINC	4
28	10053	SCREW, CAP 5/16-18 X 3/4	4
29*		SCRAPER & SLICER BLADES (NOT INCLUDED)	*
	28040	8" RIGID (PACK OF 5)	
	28050	8" SLICER FOR LINOLEUM & CARPET (PACK OF 5)	
	28060	12" FOAM RUBBER BACKING (PACK OF 5)	

* REFER TO EQUIPMENT CATALOG & PRICE LIST FOR BLADES THAT ARE AVAILABLE.
BLADES ARE SOLD IN PACKS OF 5.

**ILLUSTRATION 2: WHEEL, FORK AND
HANDLE LOWER LEG GROUPING**



EdcoParts.com

888-634-4289

An iBuy Stores Company

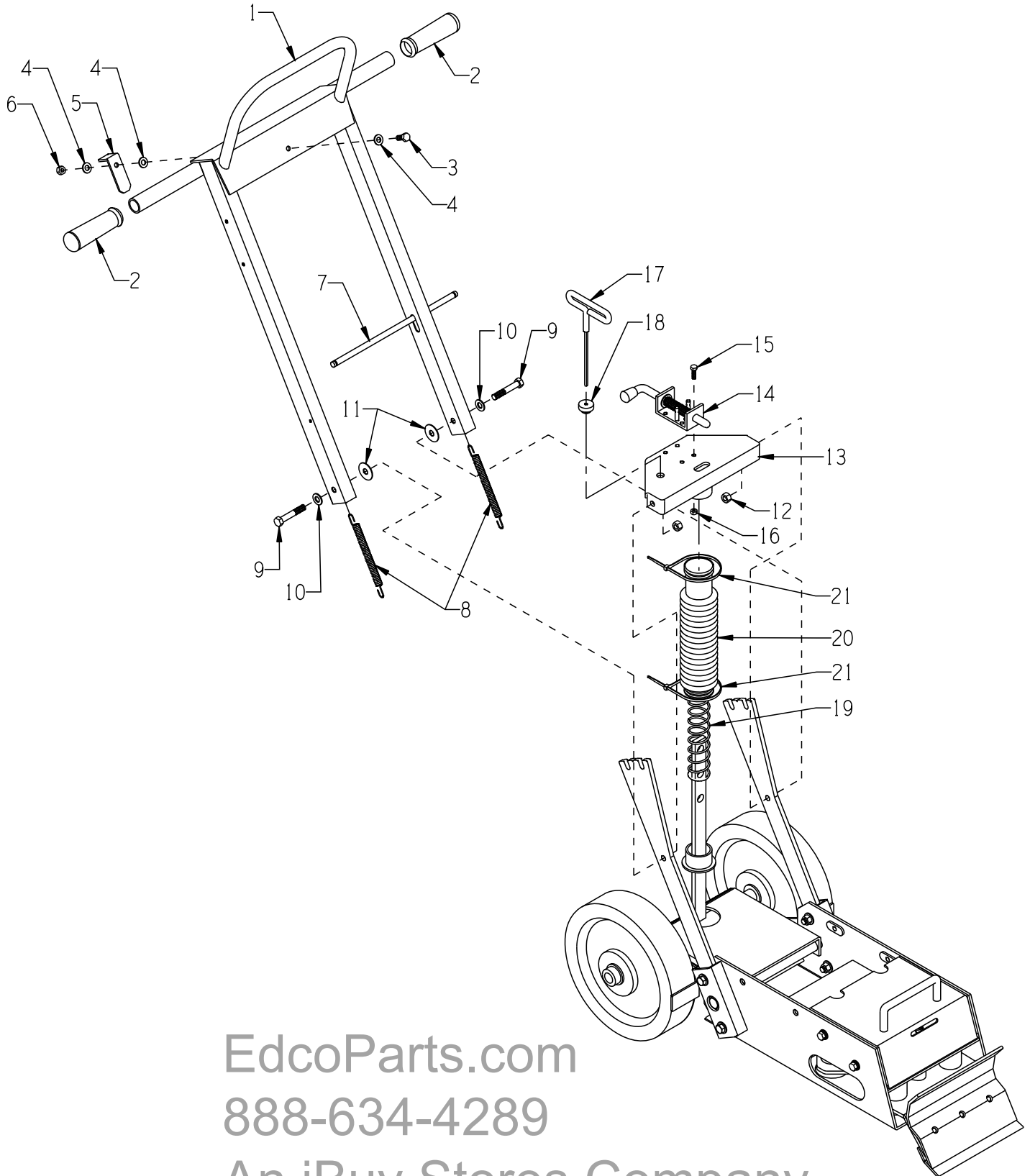
PARTS LISTING			
ILLUSTRATION 2: WHEEL, FORK AND HANDLE LOWER LEG GROUPING			
ITEM #	PART #	DESCRIPTION	QTY.
1	28117	LEG, HANDLE BAR LOWER, TILE SHARK	2
2	28110	MOUNTING BRKT., HANDLE BAR, TS-8	2
3	10030	SCREW, CAP 3/8-24 X 2	4
4	10025	WASHER, FLAT 3/8 SAE ZINC	8
5	40329	BUSHING, RUBBER 1"OD X 3/8"ID X 3/8	8
6	10004	NUT, HEX LOCK 3/8-24 ZINC	4
7	28103	FORK, TILE SHARK	1
8	28134	TREAD, ABRASIVE 2-1/2 X 7-1/2	1
9	28126	WIPER, WHEEL, TILE SHARK	2
10	10018	SCREW, CAP 1/4-20 X 3/4	4
11	10602	WASHER, FLAT 1/4 SAE ZINC	4
12	10861	NUT, KEPS LOCK 1/4-20 ZINC	4
13	28106	ADJUSTMENT BAR, ANGLE, TILE SHARK	1
14	28104	AXLE SHAFT 3/4"DIA. X 17, TS-8	1
15	28105	SPACER, WHEEL, TILE SHARK 13/16"ID x 15/16"OD x 7/8"L	2
16	28129	WHEEL, PHENOLIC 10 X 2-1/2 X 3/4BRG	2
17	10428	COLLAR, LOCKING 3/4"ID	2
18	10355	SCREW, CAP 1/2-13 X 11	1
19	10407	NUT, HEX LOCK 1/2-13 ZINC	1

EdcoParts.com

888-634-4289

An iBuy Stores Company

ILLUSTRATION 3: HANDLE GROUPING



EdcoParts.com

888-634-4289

An iBuy Stores Company

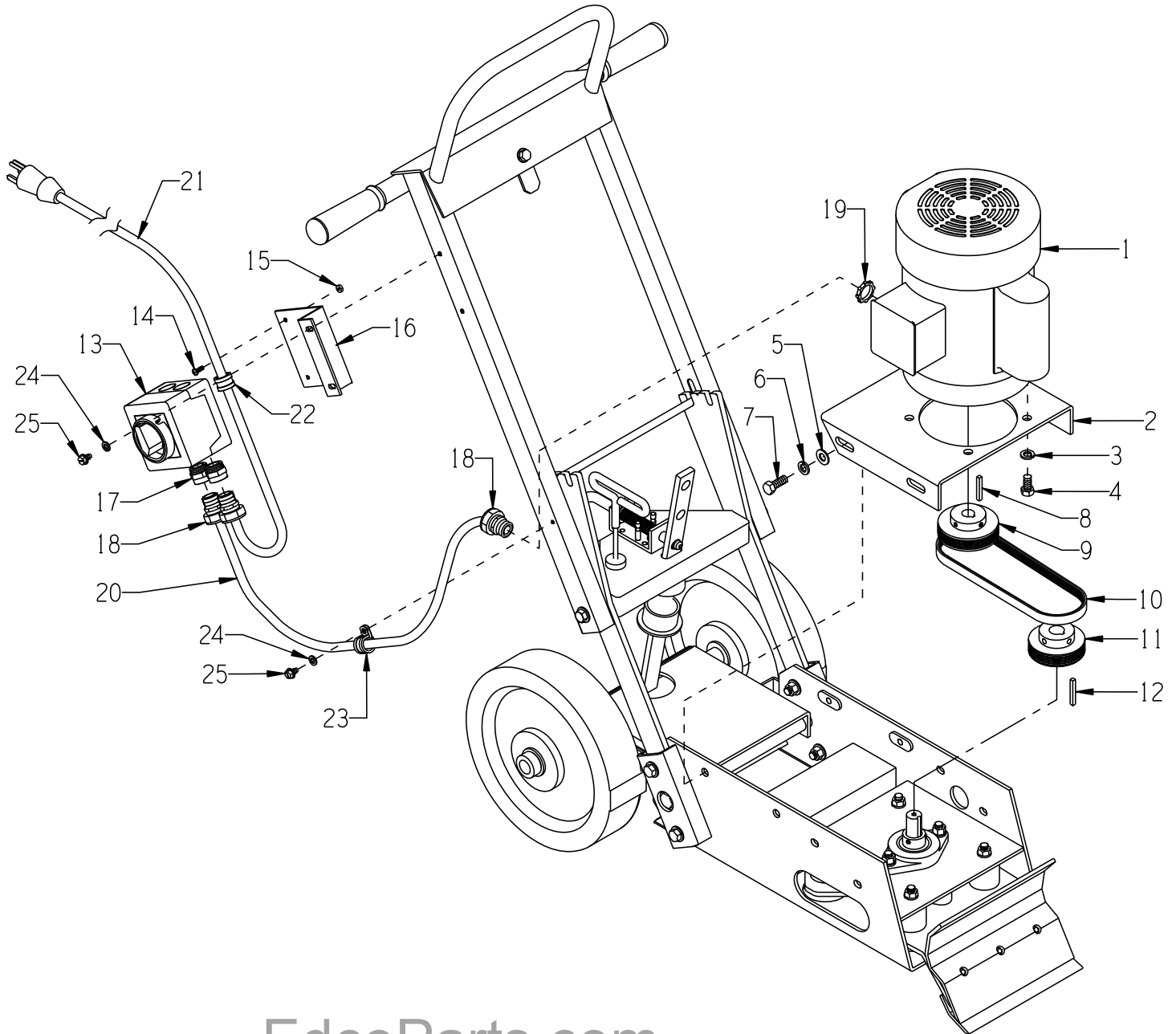
PARTS LISTING ILLUSTRATION 3: HANDLE GROUPING			
ITEM #	PART #	DESCRIPTION	QTY.
1	28109	HANDLE BAR, TILE SHARK	1
2	10608	GRIP, HAND 1" MODEL AT	2
3	10053	SCREW, CAP 5/16-18 X 3/4	1
4	10213	WASHER, FLAT 5/16 SAE ZINC	3
5	28125	LATCH, HANDLE HOLD DOWN, TILE SHARK	1
6	10807	NUT, HEX LOCK 5/16-18 ZINC	1
7	28118	ROD, HANDLE SPRING, TILE SHARK 3/8"DIA. X 11-3/8"L	1
8	3636	SPRING, EXT. 6"L	2
9	10336	SCREW, CAP 3/8-24 X 2-1/4	2
10	10025	WASHER, FLAT 3/8 SAE ZINC	2
11	28133	WASHER, FLAT 13/32 X 1-1/4 X .047	2
12	10004	NUT, HEX LOCK 3/8-24 ZINC	2
13	28147	LATCH SUPPORT WELDMENT, TILE SHARK	1
14	72304	LATCH, SPRING 1/2" SNAP LOCK	1
15	11634	SCREW, CAP M6 X 1.0P X 20MM	4
16	28026	NUT, HEX NYLON LOCK M6 X 1MM	4
17	28132	WRENCH, HEX KEY 3/16, T-HANDLE	1
18	28122	RUBBER PLUG, HEX KEY WRENCH NOTE: HOLE IS DRILLED OUT TO 1/4"	1
19	28107	SPRING, COMP. 1.468"OD X 11"FL	1
20	24761	BELLOWS 1-3/4"ID X 10-1/4"LG	1
21	10982	TIE, CABLE, BLACK NYLON 11-1/4"	2

EdcoParts.com

888-634-4289

An iBuy Stores Company

ILLUSTRATION 4: MOTOR GROUPING



EdcoParts.com

888-634-4289

An iBuy Stores Company

**PARTS LISTING
ILLUSTRATION 4: MOTOR GROUPING**

ITEM #	PART #	DESCRIPTION	QTY.
1		MOTOR, LEESON C-FACE (SEE 60 OR 50 HZ. BELOW)	
	16045	MOTOR .75HP 60HZ 1-PHASE, 115/208-230V (CAT. NO. 116664.00)	1
		REPLACEMENT PARTS:	
	16182	CAPACITOR, START, LEESON 003024.48 (600 MFD, 115V)	1
	16153	RESET BUTTON, LEESON 300002.02 (CEJ53CA)	1
	16051	MOTOR .75HP 50HZ 1-PHASE 110/220V (CAT. NO. 116930.00)	1
		REPLACEMENT PARTS:	
	16516	CAPACITOR, START, LEESON 003024.16 (440 MFD, 125V)	1
	16517	RESET BUTTON, LEESON 300031.02 (CED2715)	1
2	28111	MOUNT, MOTOR, TILE SHARK	1
3	10811	WASHER, LOCK 3/8 ZINC	4
4	10907	SCREW, CAP 3/8-16 X 3/4	4
5	10025	WASHER, FLAT 3/8 SAE ZINC	4
6	10811	WASHER, LOCK 3/8 ZINC	4
7	10055	SCREW, CAP 3/8-16 X 1	4
8	-----	KEY 3/16SQ X 1-3/8 (INCLUDED WITH MOTOR)	-
9	28131	SHEAVE 3.0"OD X 6GR.J X 5/8"BORE (60Hz MODEL)	1
	28069	SHEAVE 3.5"OD X 6GR.J X 5/8"BORE (50Hz MODEL)	1
10	28113	BELT 220J-6 V RIBBED	1
11	28130	SHEAVE 2.80"OD X 6GR.J X 3/4"BORE	1
12	10016	KEY 3/16SQ X 1-1/2	1
13	77043	SWITCH, ROTARY CAM ON/OFF	1
14	11663	SCREW, MACHINE 8-32 X 1/2 RHCD ZINC NOTE: THIS SCREW IS LOCATED INSIDE THE SWITCH BOX	4
15	10462	NUT, KEPS LOCK 8-32 ZINC	4
16	77042	BRACKET, ROTARY CAM SWITCH	1
17	77043-1	SWITCH ADAPTER, PG16 TO 1/2"NPT	2
18	41130	STRAIN RELIEF 1/2NPT X .550-.650" (CG50A-650)	3
19	10790	CONDUIT LOCK NUT 1/2 NP NOTE: THIS NUT IS LOCATED INSIDE THE JUNCTION BOX	1
20	77045	WIRE HARNESS 12/3 X 42"LOA (CORD SJOOW 300V)	1
21	86422	CORD W/ PLUG, 25FT. POWER 12/3 SJOOW 300V CORD WITH MOLDED STRAIGHT BLADE PLUG. NOTE: PLUG IS NEMA 5-15P 15A/125V FOR DOMESTIC USE ONLY. FOREIGN UNITS HAVE THE PLUG REMOVED.	1
22	11690	CLAMP, LOOM, 3/8"	1
23	11565	CLAMP, LOOM, 5/8" (SAE SIZE 10)	1
24	10038	WASHER, LOCK 1/4 ZINC	2
25	10846	SCREW, CAP STSHW 1/4-20 X 1/2	2

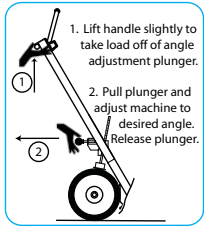
EdcoParts.com

888-634-4289

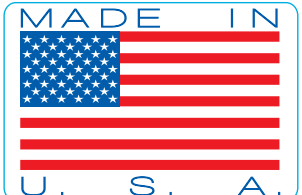
An iBuy Stores Company

DECAL SHEET P/N 92217

RENTAL-TOUGH®



TS-8 14 x 17
P/N 92217 ReVA



exceeds 85dBA

GREASE BEARINGS
WEEKLY



EdcoParts.com

888-634-4289

An iBuy Stores Company