

**PARTS MANUAL**



**MODEL CG500C2  
CONTAINER GENERATOR  
(CUMMINS QSX15-G9 DIESEL ENGINE)**

Revision #0 (07/21/21)



**THIS MANUAL MUST ACCOMPANY THE EQUIPMENT AT ALL TIMES.**

## **CG500C2 Container Generator**

Table Of Contents .....	2
Explanation Of Code In Remarks Column.....	4
Suggested Spare Parts .....	5

### **Component Drawings**

Frame/Door And Louvers Assembly .....	6-7
Insulation Panels Assembly .....	8-9
Circuit Breaker 2000 Amp Assembly .....	10-11
Output Buss Assembly .....	12-13
Remote Controller Assembly .....	14-15
Exhaust System Assembly .....	16-17
Saddle Box/Engine Assembly.....	18-19
Exterior Fuel Box Assembly .....	20-21
Radiator Wall Assembly .....	22-23
Six-Step Ladder Storage Assembly.....	24-25
Fuel System Assembly (600 Gallon) .....	26-27
Fuel Platform Assembly.....	28-29
Fire Extinguisher Kit Assembly. ....	30-31
Step Plate/Fuel Line/Step Hat Section Assy.....	32-33

#### **NOTICE**

Specifications and part numbers are subject to change without notice.

# EXPLANATION OF CODE IN REMARKS COLUMN

The following section explains the different symbols and remarks used in the Parts section of this manual. Use the help numbers found on the back page of the manual if there are any questions.

**NOTICE**

The contents and part numbers listed in the parts section are subject to change **without notice**. Multiquip does not guarantee the availability of the parts listed.

## SAMPLE PARTS LIST

NO.	PART NO.	PART NAME	QTY.	REMARKS
1	12345	BOLT .....	1	INCLUDES ITEMS W/%
2%		WASHER, 1/4 IN. ....		NOT SOLD SEPARATELY
2%	12347	WASHER, 3/8 IN. ...	1	MQ-45T ONLY
3	12348	HOSE .....	A/R	MAKE LOCALLY
4	12349	BEARING .....	1	S/N 2345B AND ABOVE

## NO. Column

**Unique Symbols** — All items with same unique symbol (@, #, +, %, or >) in the number column belong to the same assembly or kit, which is indicated by a note in the “Remarks” column.

**Duplicate Item Numbers** — Duplicate numbers indicate multiple part numbers, which are in effect for the same general item, such as different size saw blade guards in use or a part that has been updated on newer versions of the same machine.

**NOTICE**

When ordering a part that has more than one item number listed, check the remarks column for help in determining the proper part to order.

## PART NO. Column

**Numbers Used** — Part numbers can be indicated by a number, a blank entry, or TBD.

TBD (To Be Determined) is generally used to show a part that has not been assigned a formal part number at the time of publication.

A blank entry generally indicates that the item is not sold separately or is not sold by Multiquip. Other entries will be clarified in the “Remarks” Column.

## QTY. Column

**Numbers Used** — Item quantity can be indicated by a number, a blank entry, or A/R.

A/R (As Required) is generally used for hoses or other parts that are sold in bulk and cut to length.

A blank entry generally indicates that the item is not sold separately. Other entries will be clarified in the “Remarks” Column.

## REMARKS Column

Some of the most common notes found in the “Remarks” Column are listed below. Other additional notes needed to describe the item can also be shown.

**Assembly/Kit** — All items on the parts list with the same unique symbol will be included when this item is purchased.

Indicated by:

“INCLUDES ITEMS W/(unique symbol)”

**Serial Number Break** — Used to list an effective serial number range where a particular part is used.

Indicated by:

“S/N XXXXX AND BELOW”

“S/N XXXX AND ABOVE”

“S/N XXXX TO S/N XXX”

**Specific Model Number Use** — Indicates that the part is used only with the specific model number or model number variant listed. It can also be used to show a part is NOT used on a specific model or model number variant.

Indicated by:

“XXXXX ONLY”

“NOT USED ON XXXX”

**“Make/Obtain Locally”** — Indicates that the part can be purchased at any hardware shop or made out of available items. Examples include battery cables, shims, and certain washers and nuts.

**“Not Sold Separately”** — Indicates that an item cannot be purchased as a separate item and is either part of an assembly/kit that can be purchased, or is not available for sale through Multiquip.

## SUGGESTED SPARE PARTS

### CG500C2 CONTAINER GENERATOR WITH CUMMINS QSX15-G9 DIESEL ENGINE

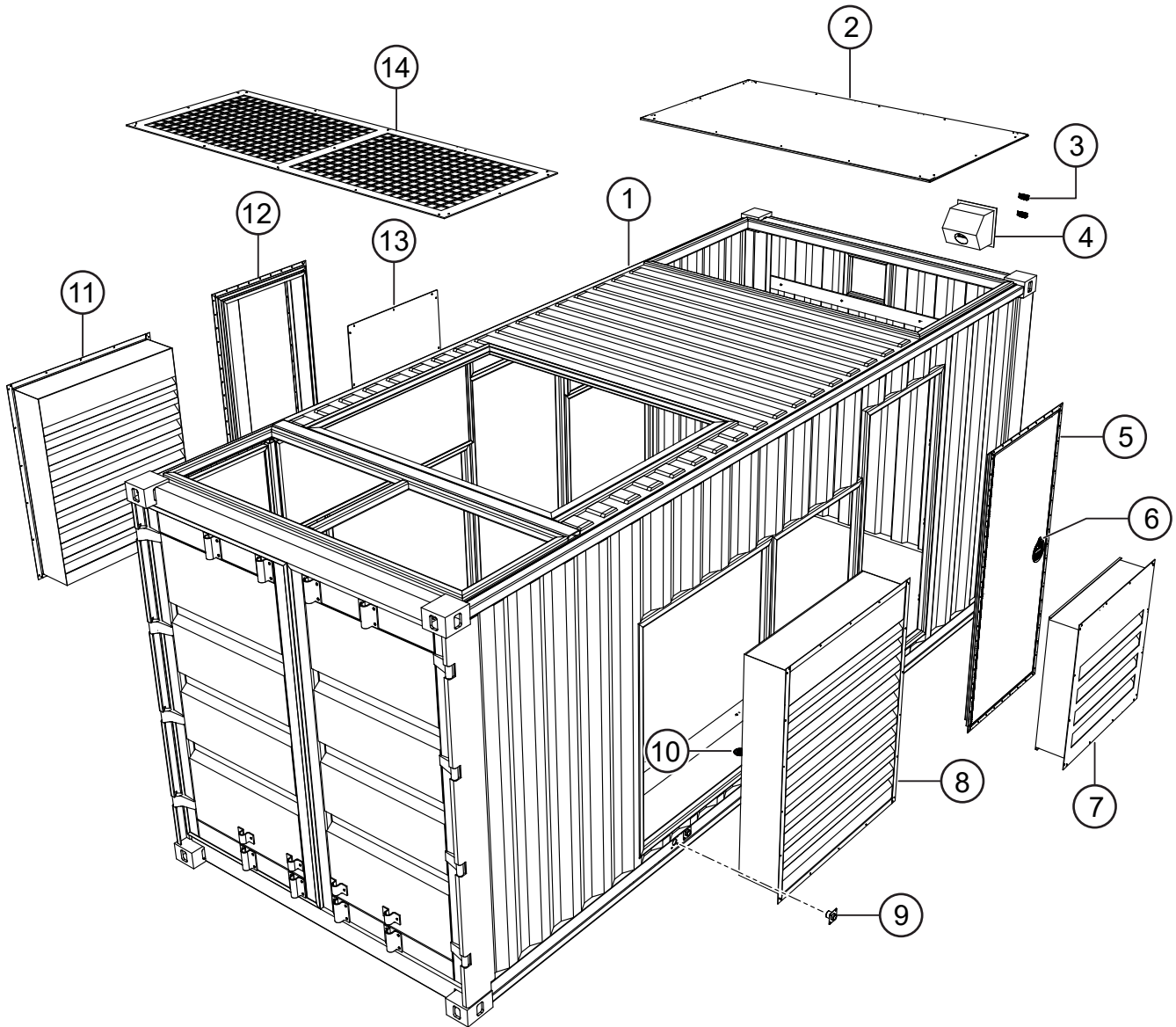
#### 1 TO 3 UNITS

Qty.	P/N	Description
6	23075366	CARTRIDGE, OIL FILTER, FULL-FLOW
5	23075367	CARTRIDGE, OIL FILTER, BY-PASS
3	P812559	ELEMENT, AIR CLEANER OUTER
3	P836913	ELEMENT, AIR CLEANER INNER
5	22480372	CARTRIDGE, FUEL FILTER
5	20998367	CARTRIDGE, FUEL PRE-FILTER
1	3883978	BELT, FAN
1	20995830	BELT, ALTERNATOR
1	22059603	RADIATOR HOSE, UPPER
1	22305168	RADIATOR HOSE, LOWER
3	EE50144	PUMP, FUEL, 24V (~)
2	EE44807	CIRCUIT BREAKER, 15 A, 1 POLE, 480VAC
2	EE44808	CIRCUIT BREAKER, 10 A, 1 POLE, 480VAC
2	EE55784	CIRCUIT BREAKER, 3P, 10A, UL@480V
2	EE61048	CIRCUIT BREAKER, 3P, 225A

#### NOTICE

Part numbers on this Suggested Spare Parts list may supersede/replace the part numbers shown in the following parts lists.

# FRAME/DOOR AND LOUVERS ASSY.

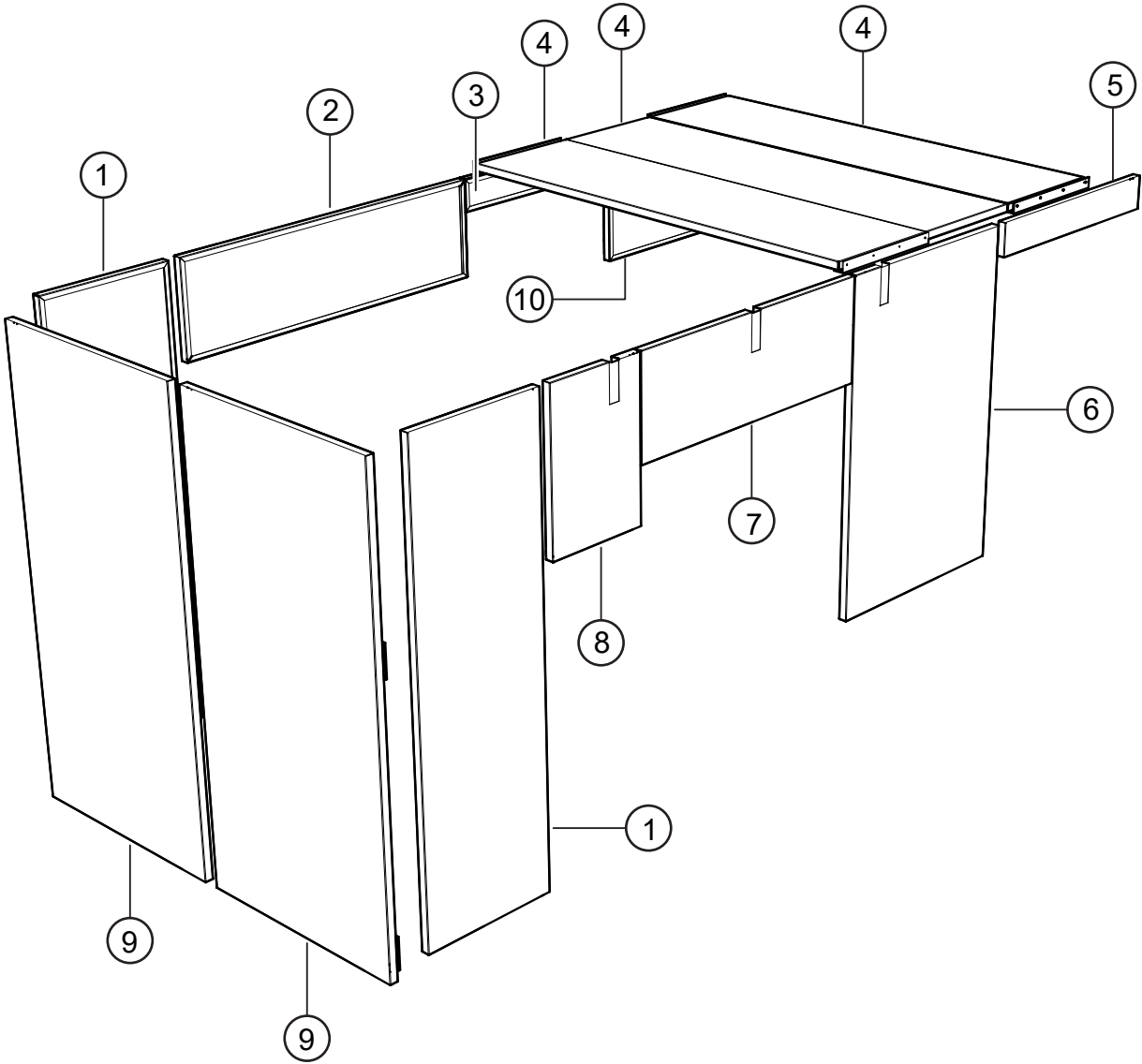


## **FRAME/DOOR AND LOUVERS ASSY.**

---

<b><u>NO.</u></b>	<b><u>PART NO.</u></b>	<b><u>PART NAME</u></b>	<b><u>QTY.</u></b>	<b><u>REMARKS</u></b>
1	EE56454	CONTAINER WELDMENT W/FRAMES	1	
2	EE56472	LID, FUEL TANK ACCESS	1	
3	EE16349	LATCH, LEVER, BLK. MATTE, W/LOCK	2	
4	EE1237	ASSEMBLY, FUEL FILL BOX W/4" FITTING	1	
5	EE7649	DOOR, ROADSIDE	1	
6	EE56241	CENTERCASE, 2-PT. LATCH, KEYED	1	
7	EE56411	LOUVERS, ACOUSTIC 8"D, 4 VENT X 36"	1	
8	EE56994	LOUVERS, ACOUSTIC 48"W X 60"H	1	
9	EE7659	FITTING, FLANGED COUPLING	2	
10	EE47200	DECK FILL/DRAIN, 1-1/2", BLACK NYLON	1	
11	EE56994	LOUVERS, ACOUSTIC 48"W X 60"H	1	
12	EE7652	DOOR, CURBSIDE	1	
13	EE56484	COVER PLATE, CIRCUIT BREAKER	1	
14	EE56471	GRILLE, EXHAUST	1	

**INSULATION PANELS ASSY.**

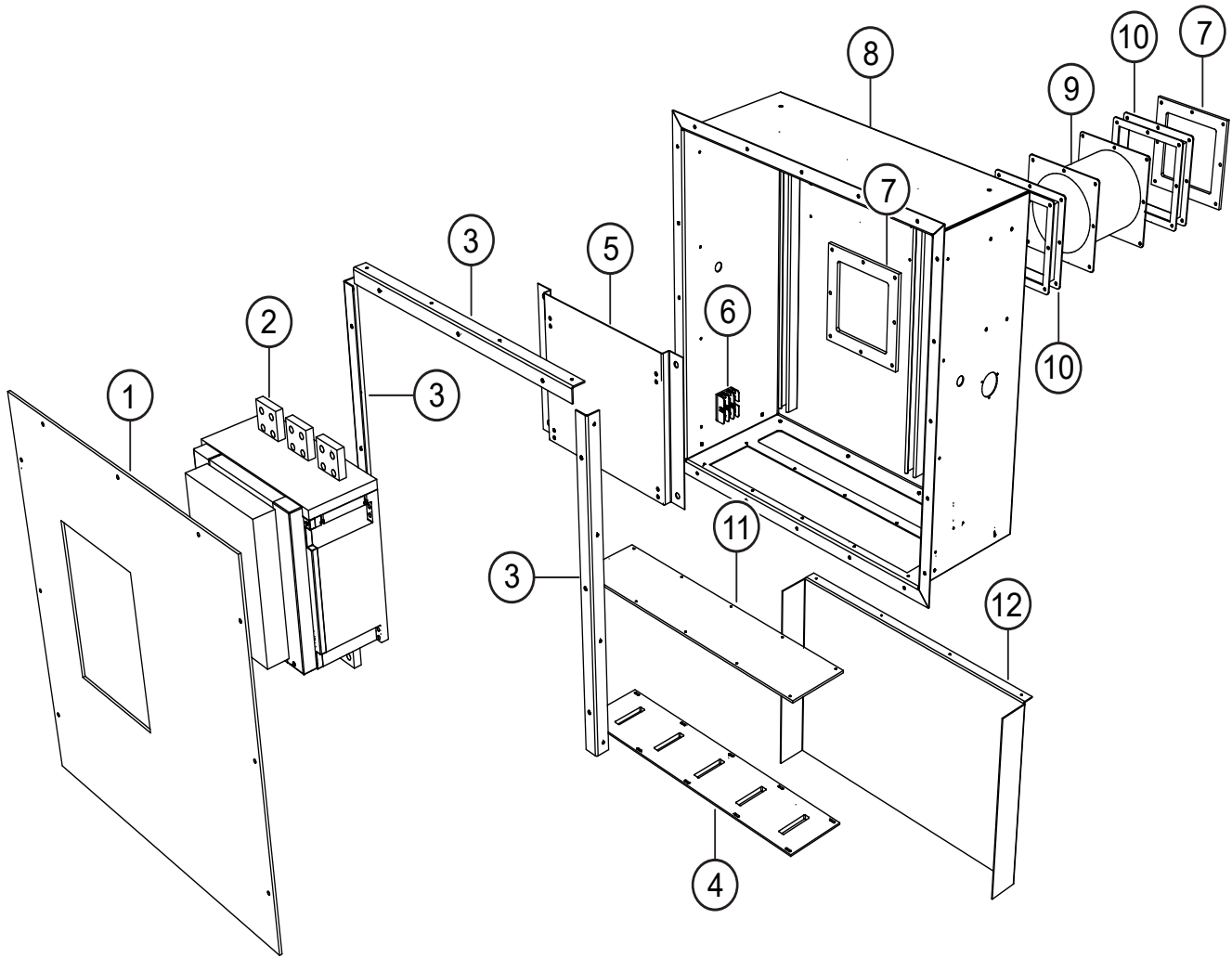


## INSULATION PANELS ASSY.

---

<u>NO.</u>	<u>PART NO.</u>	<u>PART NAME</u>	<u>QTY.</u>	<u>REMARKS</u>
1	EE57599	PANEL, INSULATION, ALUMINUM	2	
2	EE57601	PANEL, INSULATION, LOUVER ALUMINUM	1	
3	EE57602	PANEL, INSULATION, DOOR ALUMINUM	1	
4	EE57299	PANEL, INSULATION, ROOF ALUMINUM	3	
5	EE57595	PANEL, INSULATION, WALL DOOR ALUM.	1	
6	EE57596	PANEL, INSULATION, WALL ALUMINUM	1	
7	EE57597	PANEL, INSULATION, LOUVER ALUMINUM	1	
8	EE57598	PANEL, INSULATION, WALL ALUMINUM	1	
9	EE57600	PANEL, INSULATION, DOOR ALUMINUM	2	
10	EE57603	PANEL, INSULATION, CB HEADER ALUM.	1	

# CIRCUIT BREAKER 2000 AMP ASSY.

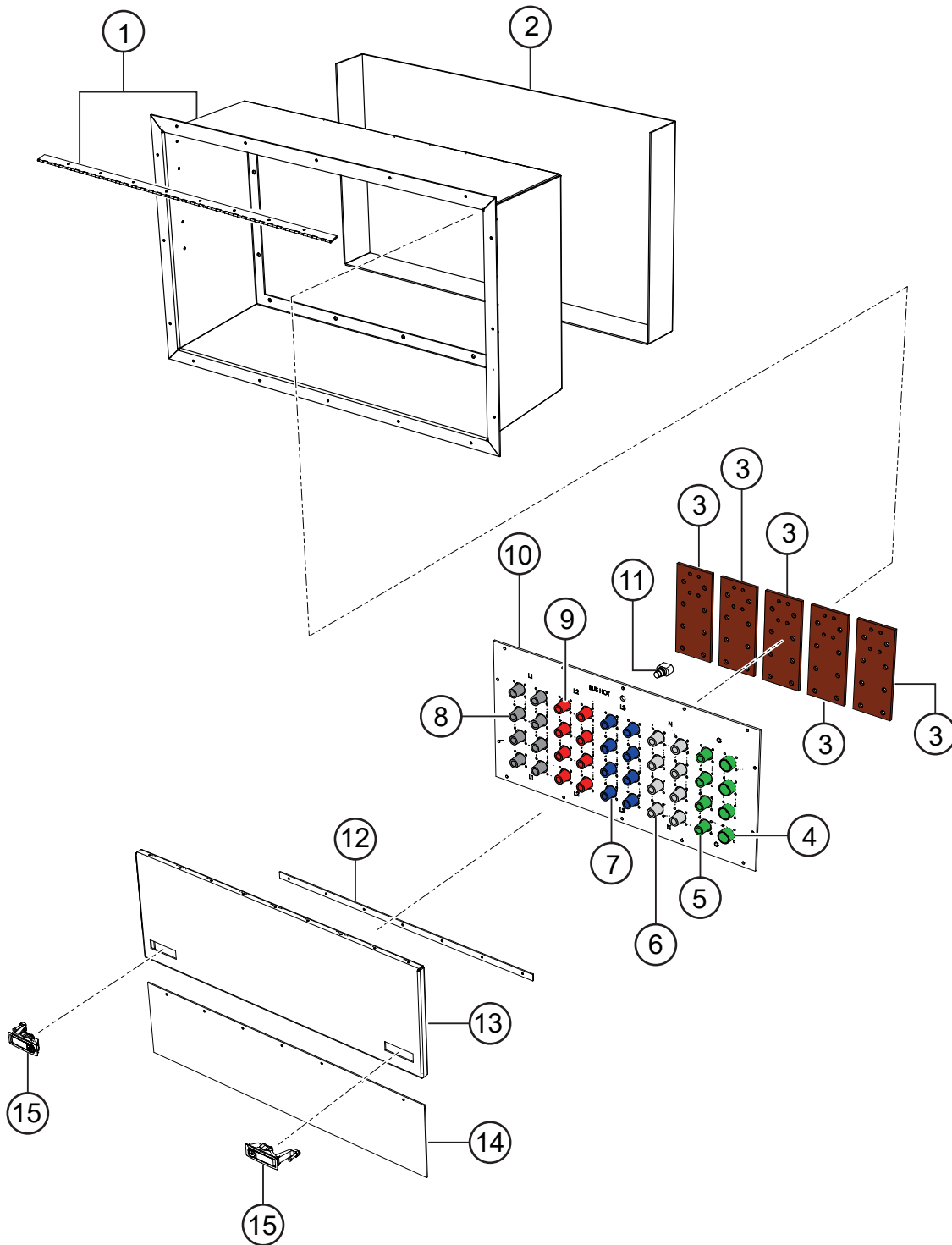


## **CIRCUIT BREAKER 2000 AMP ASSY.**

---

<u>NO.</u>	<u>PART NO.</u>	<u>PART NAME</u>	<u>QTY.</u>	<u>REMARKS</u>
1	EE56909	COVER, DEAD FRONT, 2000 AMP BREAKER	1	
2	EE56498	CIRCUIT BREAKER, 2000 AMP	1	
3	EE56496	ANGLE, DEAD FRONT MOUNTING, ALUMN.	4	
4	EE56895	MICARTA PANEL, BUSBAR, 500/1000 KW	1	
5	EE56908	HAT SECTION	1	
6	EE5759	BLOCK, MIDGET FUSE TYPE, 3 POLE	1	
7	EE6841	PHENOLIC BOARD, FEED THRU WIRE	2	
8	EE56894	ENCLOSURE, CIRCUIT BREAKER	1	
9	EE11489	WIREWAY, TYPE 12 FEED THRU, FLEX	1	
10	EE11490	WIREWAY, FEED THRU, NIPPLE	2	
11	EE57115	COVER PLATE, CB ENCLOSURE, 500 KW	1	
12	EE56968	LEXAN COVER, CAMLOK	1	

# OUTPUT BUSS ASSY.

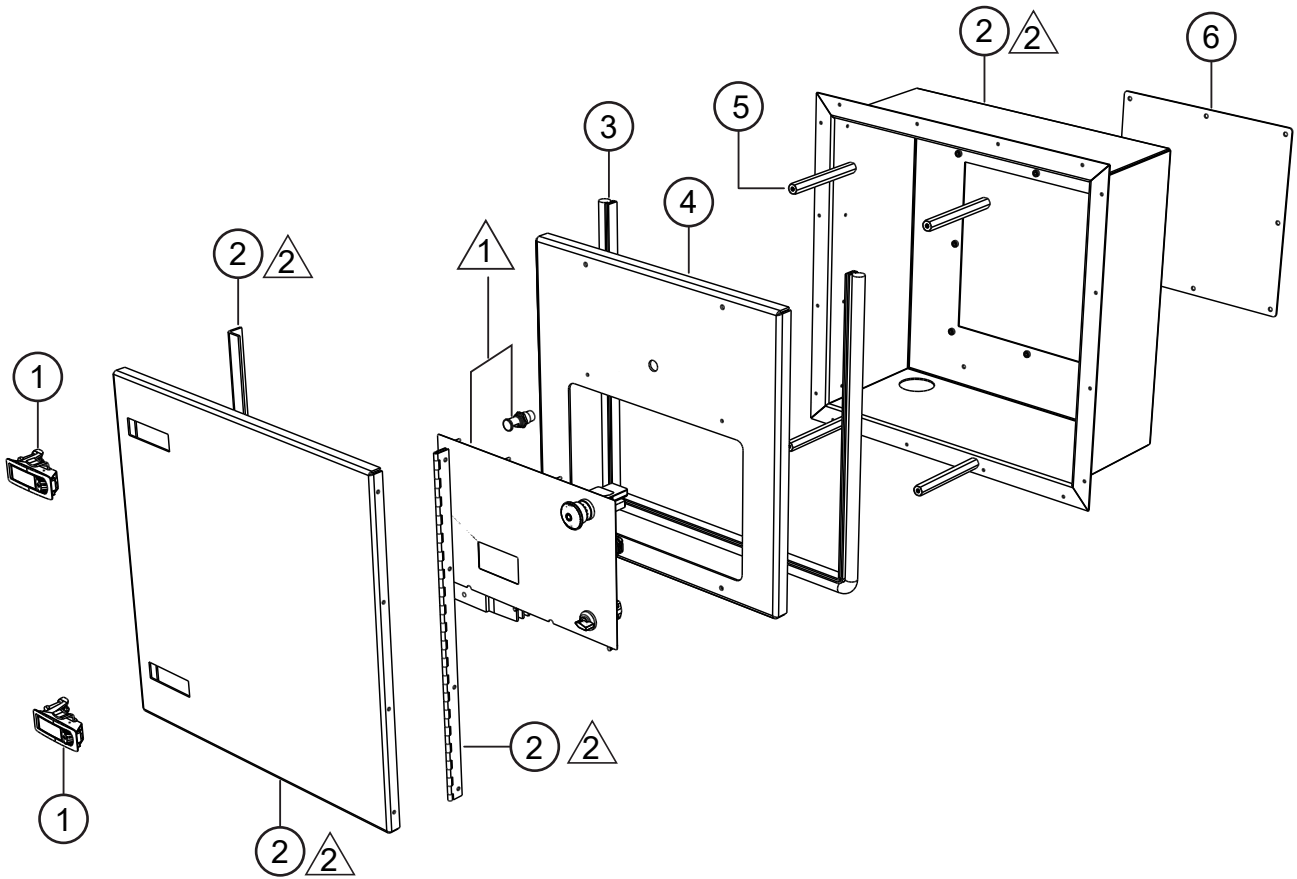


## OUTPUT BUSS ASSY.

---

<u>NO.</u>	<u>PART NO.</u>	<u>PART NAME</u>	<u>QTY.</u>	<u>REMARKS</u>
1	EE56470	INSERT, CAMLOK OUTPUT BUS	1	
2	EE61605	LEXAN GUARD, CAMLOK PANEL	1	
3	EE56468	BUS BAR, 8 SET CAMLOK, COPPER	5	
4	EE6387	RECEPTACLE, PANEL MNT., MALE, GRN.	4	
5	EE6382	RECEPTACLE, PANEL MNT., FEMALE, GRN.	4	
6	EE6379	RECEPTACLE, PANEL MNT., FEMALE, WHT.	8	
7	EE6381	RECEPTACLE, PANEL MNT., FEMALE, BLU.	8	
8	EE6378	RECEPTACLE, PANEL MNT., FEMALE, BLK.	8	
9	EE6380	RECEPTACLE, PANEL MNT., FEMALE, RED	8	
10	EE56467	PANEL, SILKSCREENED, 8 SET CAMLOK	1	
11	EE22728	LED, PILOT LIGHT, RED, 270 VOLTS	1	
12	EE56503	BRACKET, NEOPRENE FLAP	1	
13	EE56470	INSERT, CAMLOK OUTPUT BUS	1	
14	EE56502	FLAP, NEOPRENE RUBBER	1	
15	EE16349	LATCH, LEVER, BLACK MATTE, W/LOCK	2	

# REMOTE CONTROLLER ASSY.



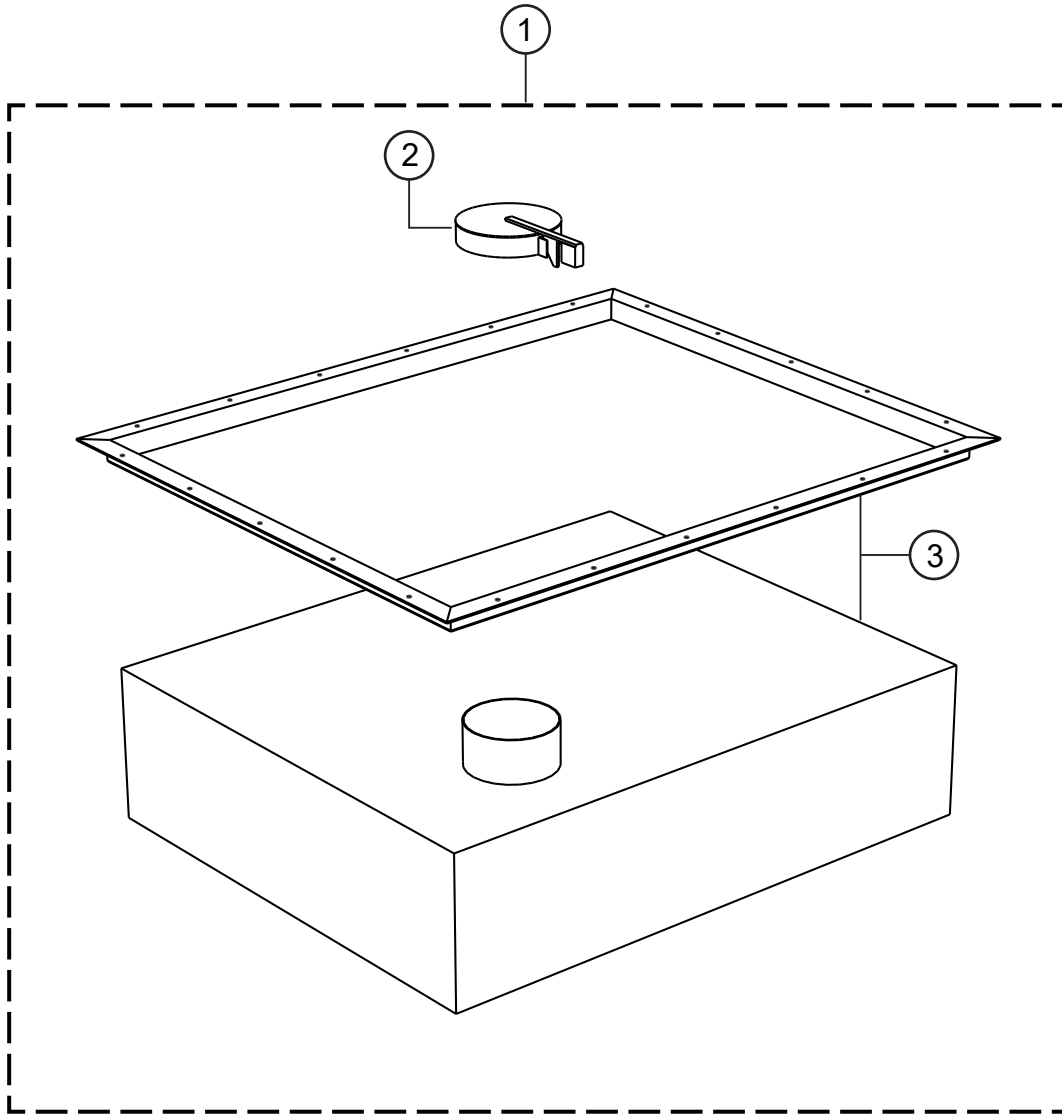
- NOTES**
- ① Modified Cummins Power Command Digital Generator Set Control
  - ② All items # 2 are part of EE56469 Assembly.

## REMOTE CONTROLLER ASSY.

---

<u>NO.</u>	<u>PART NO.</u>	<u>PART NAME</u>	<u>QTY.</u>	<u>REMARKS</u>
1	EE16349	LATCH, LEVER, BLACK MATTE, W/LOCK	2	
2	EE56469	INSERT, REMOTE CONTROLLER	1	
3	EE56595	SEAL RUBBER, VINYL GRIP	1	
4	EE56828	PANEL, CONTROL PWR. COMMAND	1	
5	EE56594	STANDOFF, 6-INCH THREADED	4	
6	EE56587	BACK COVER	1	

# EXHAUST SYSTEM ASSY.



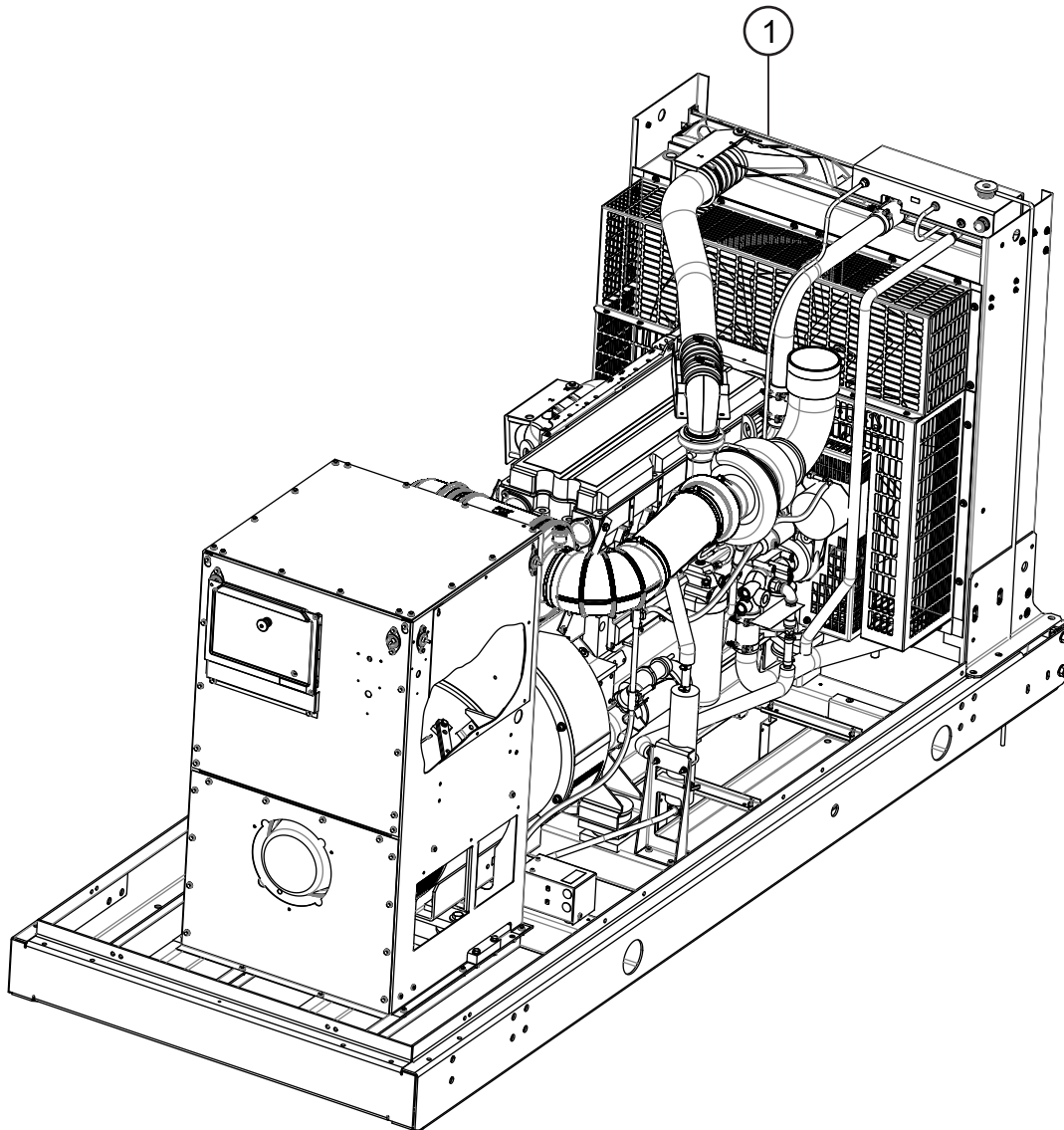
## EXHAUST SYSTEM ASSY.

---

<u>NO.</u>	<u>PART NO.</u>	<u>PART NAME</u>	<u>QTY.</u>	<u>REMARKS</u>
1	EE56407	EXHAUST ASSEMBLY .....	1.....	INCLUDES ITEMS W/\$
2\$	EE25228	RAIN CAP, STEEL, 10"	1	
3\$	EE56400	SILENCER	1	

# SADDLE BOX/ENGINE ASSY.

---

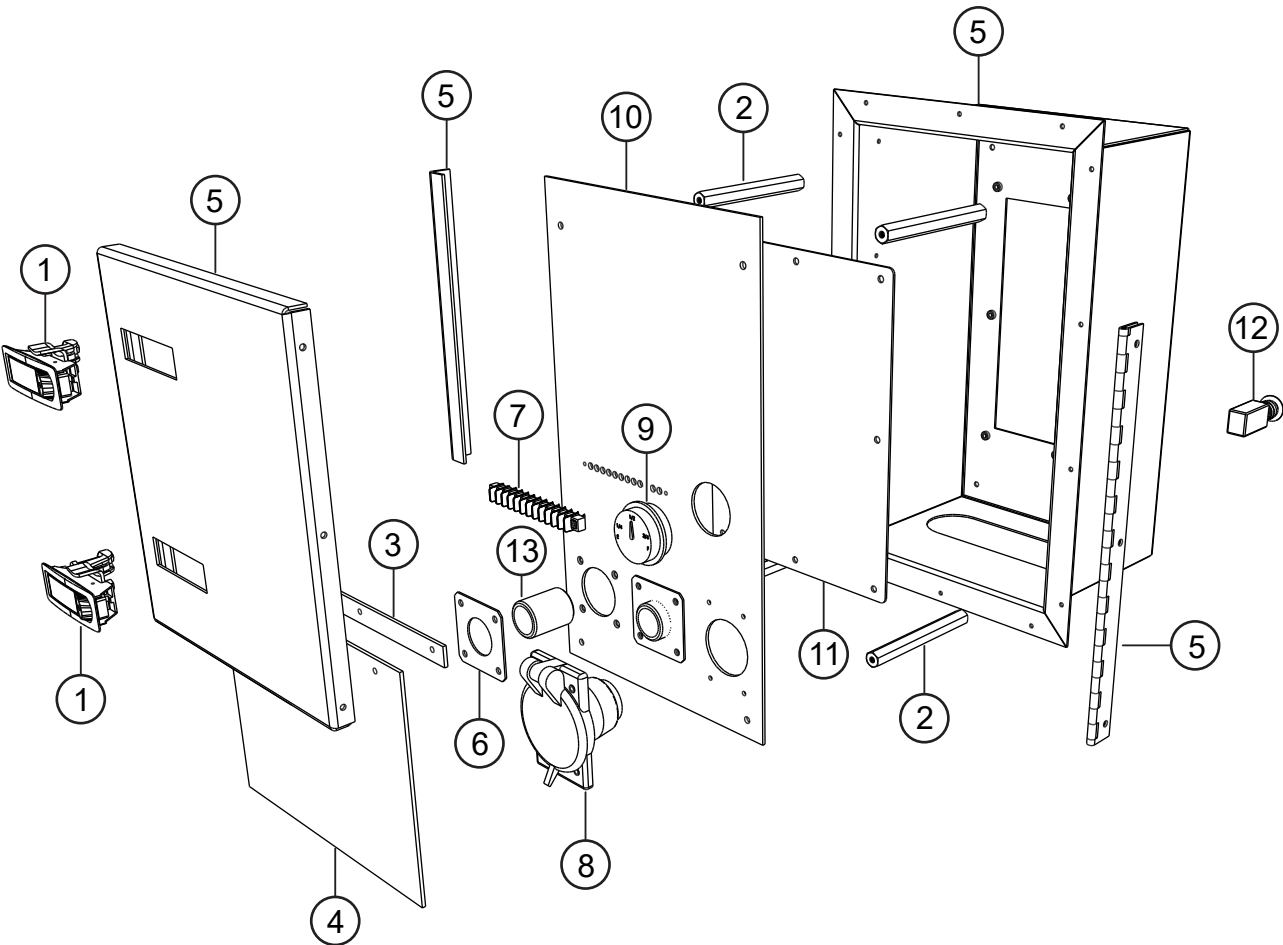


## SADDLE BOX/ENGINE ASSY.

---

<u>NO.</u>	<u>PART NO.</u>	<u>PART NAME</u>	<u>QTY.</u>	<u>REMARKS</u>
1	EE56455	GENSET, CUMMINS 500 KW STANDBY	1	

# EXTERIOR FUEL BOX ASSY.

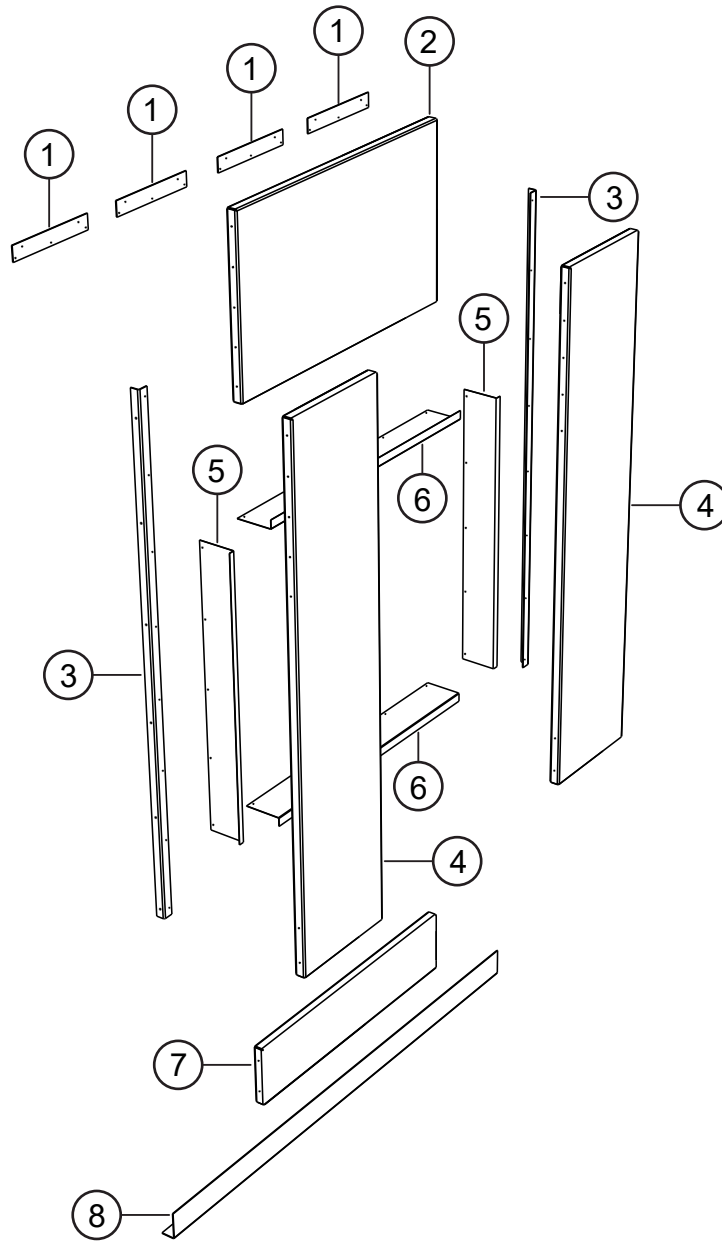


## EXTERIOR FUEL BOX ASSY.

---

<u>NO.</u>	<u>PART NO.</u>	<u>PART NAME</u>	<u>QTY.</u>	<u>REMARKS</u>
1	EE16349	LATCH, LEVER, BLACK MATTE, W/LOCK	2	
2	EE56594	STANDOFF 6", THREADED HEX FEMALE	4	
3	EE56807	BRACKET MOUNTING	1	
4	EE56806	RUBBER MAT COVER	1	
5	EE56801	INSERT, RECESS PNL. W/LOCKING DOOR	1	
6	EE33651	PLATE, COUPLING ASSEMBLY	2	
7	EE57012	TERMINAL STRIP 12 POSITION	1	
8	EE6141	COVER, LIFT, WEATHER PROOF	1	
9	EE45986	GAUGE, FUEL, HD W/ALARMS	1	
10	EE56805	PANEL, RECESSED, FUEL/ELEC., 30A	1	
11	EE56866	BACK COVER, REMOTE FUEL ACCESS	1	
12	EE22877	SWITCH, PUSHBUTTON, RED, 24V	1	
13	EE7659	FITTING, FLANGED COUPLING	2	

# RADIATOR WALL ASSY.

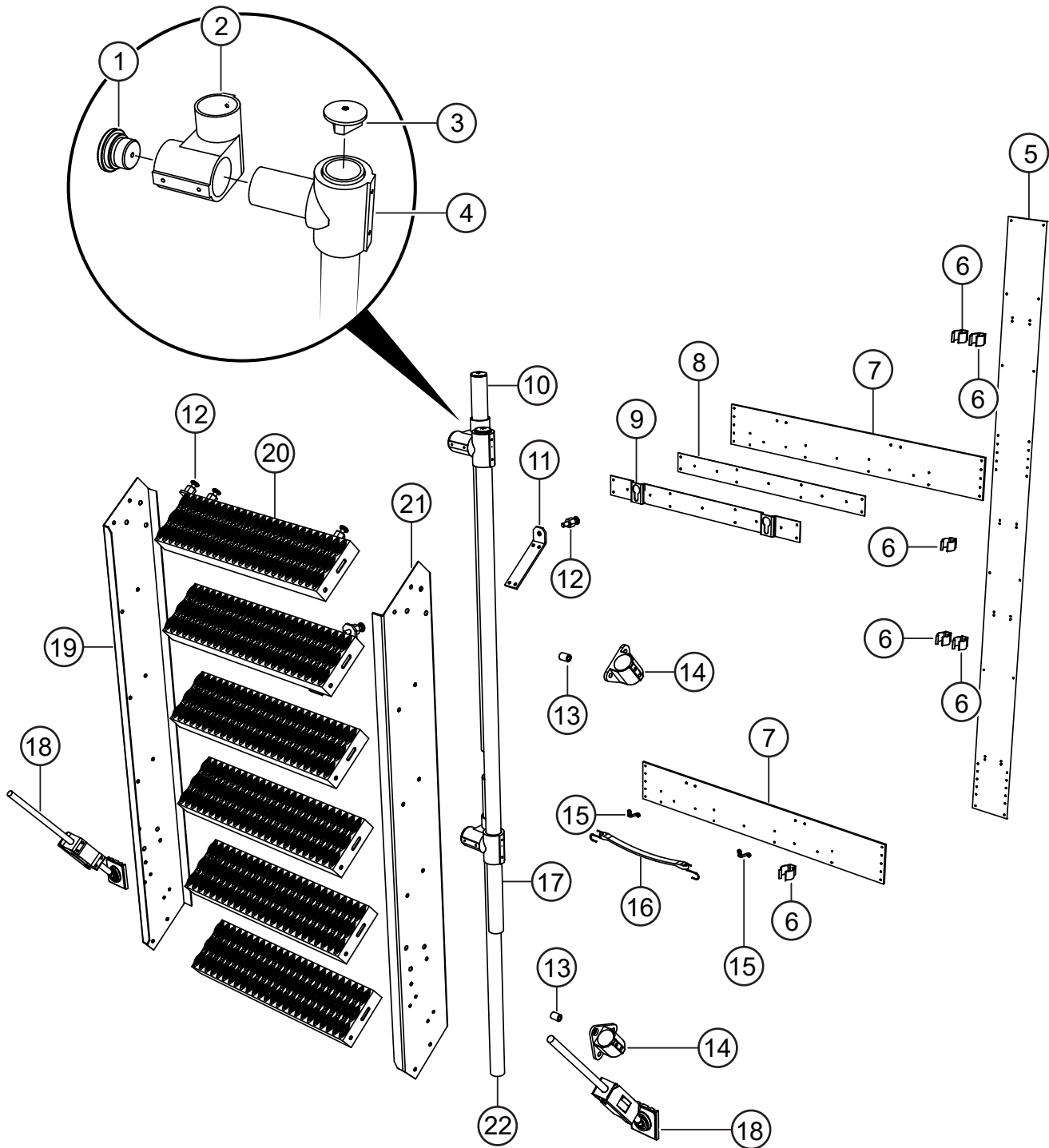


## **RADIATOR WALL ASSY.**

---

<u>NO.</u>	<u>PART NO.</u>	<u>PART NAME</u>	<u>QTY.</u>	<u>REMARKS</u>
1	EE56481	FLASHING, RADIATOR WALL, TOP	4	
2	EE56479	BAFFLE, RADIATOR, TOP	1	
3	EE56844	ANGLE, RADIATOR WALL, SIDE	2	
4	EE56477	BAFFLE, RADIATOR, SIDE	2	
5	EE56815	FLASHING, RIGHT AND LEFT SIDE	2	
6	EE56816	FLASHING, TOP AND BOTTOM	2	
7	EE56478	BAFFLE, RADIATOR, BOTTOM	1	
8	EE56480	ANGLE, RADIATOR WALL, BOTTOM	1	

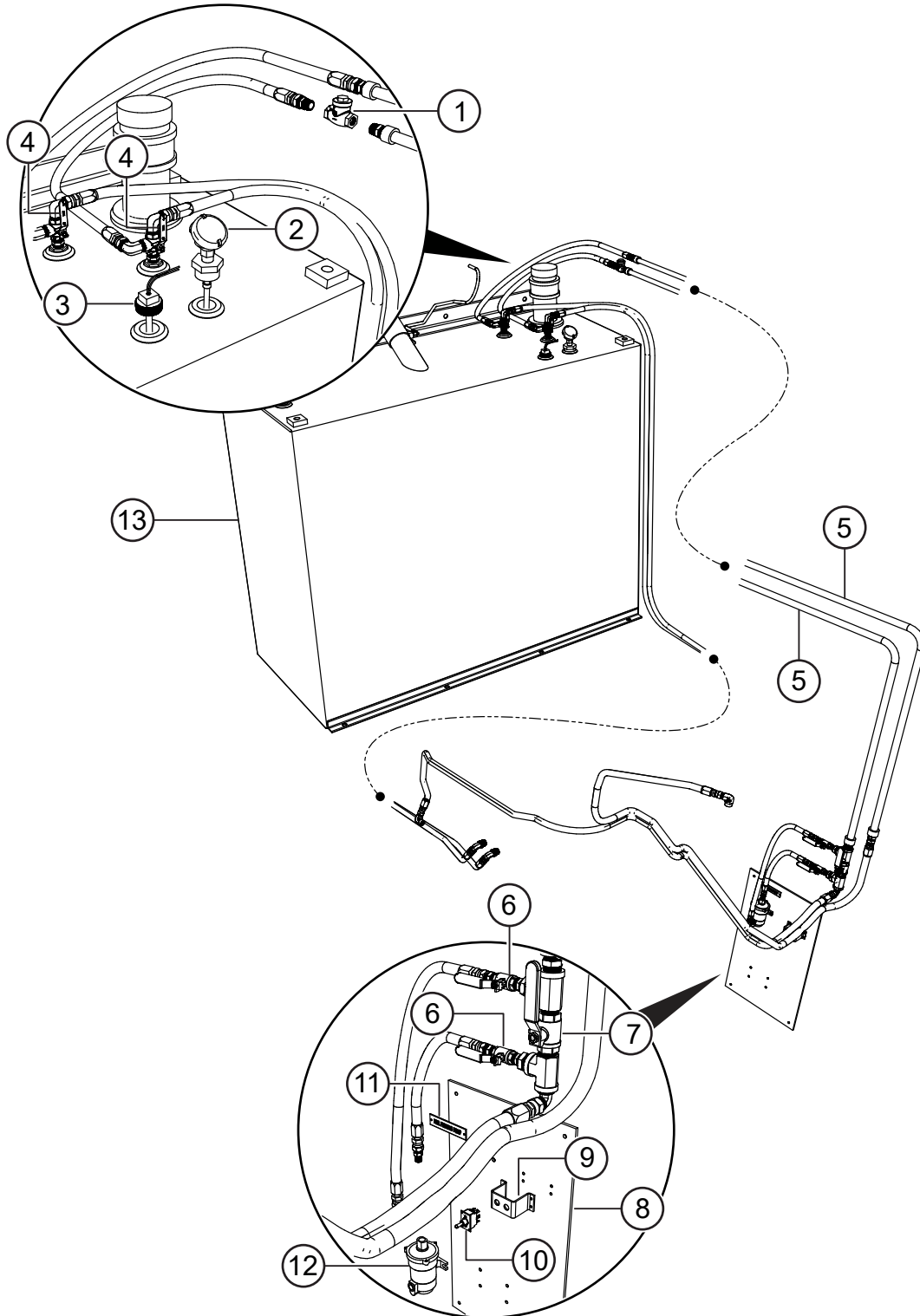
# SIX-STEP LADDER STORAGE ASSY.



## SIX-STEP LADDER STORAGE ASSY.

<u>NO.</u>	<u>PART NO.</u>	<u>PART NAME</u>	<u>QTY.</u>	<u>REMARKS</u>
1	EE8415	PLUG, SWIVEL, ALUMN. HEX	2	
2	EE21974	FITTING, CROSS, SPEED RAIL 30-A	2	
3	EE21977	PLUG, END, TYPE H-62-7, 1-1/4" PIPE	4	
4	EE21975	SWIVEL, CROSS, SPEED RAIL 30-B	2	
5	EE23056	PLATE, STORAGE, HAND RAIL ASSY.	1	
6	EE21969	HOLDER, SPRING-ACTION	6	
7	EE2100	PLATE, LADDER STORAGE, ALUMN.	2	
8	EE8402	PLATE, STRIKE, #18 GA, S.S.	1	
9	EE8385	BRACKET, HOOK RECEIVER, S.S.	1	
10	EE23041	PIPE, 6061-T6 ALUMN., 1-1/4", SCHED. 40	1	
11	EE1251	BRACKET, ANGLE PIN SUPPORT	2	
12	EE2003	PIN, LADDER HOOK, S.S.	5	
13	EE42624	SPACER, ALUMN., 3/8" BOLT	2	
14	EE42620	FITTING, MODIFIED SPEED RAIL NO. 50	1	
15	EE21973	GUIDE, ROPE, 9/16", SS	2	
16	EE21971	TIE DOWN, MOLDED-RUBBER	2	
17	EE23040	PIPE, 6061-T6 ALUMN., 1-1/4" SCHED. 40	1	
18	EE21972	LEVELER, LADDER, 11" MAX. ADJUST	1	
19	EE1359	CHANNEL, SIDE, 6-STEP, LEFT, ALUMN.	1	
20	EE25336	STEP, 7" GRIP STRUT, ALUMN., 28" LG.	6	
21	EE1360	CHANNEL, SIDE, 6-STEP, RIGHT, ALUMN.	1	
22	EE23042	PIPE, 6061-T6 ALUMN., 1-1/4", SCHED. 40	1	

# FUEL SYSTEM ASSY. (600 GALLON)

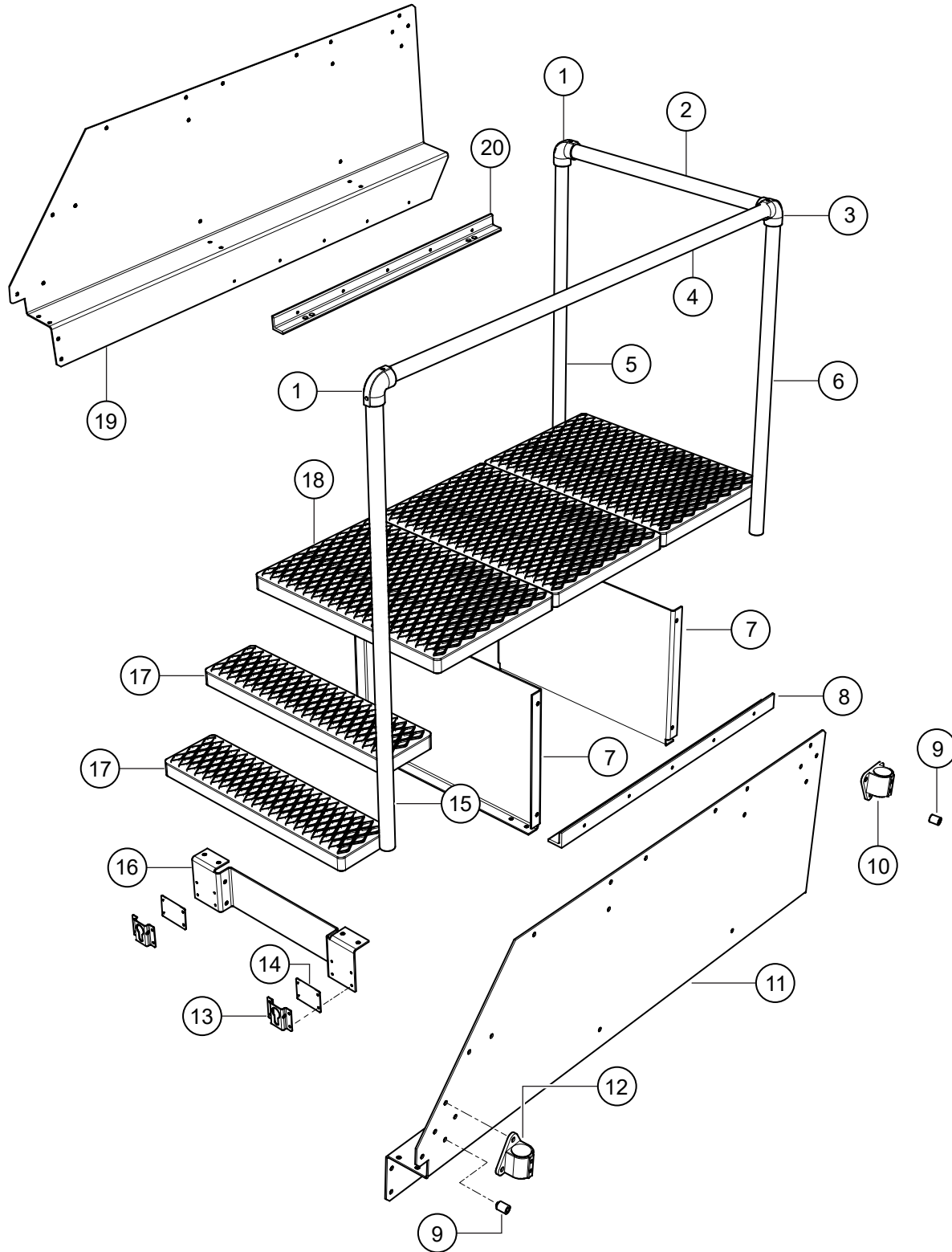


## **FUEL SYSTEM ASSY. (600 GALLON)**

---

<u>NO.</u>	<u>PART NO.</u>	<u>PART NAME</u>	<u>QTY.</u>	<u>REMARKS</u>
1	EE33050	CHECK VALVE, SWING, 3/4", SS	1	
2	EE51089	SENDER, FUEL LEVEL, 0-250 OHM	1	
3	EE44132	HIGH FUEL LEVEL SWITCH ASSEMBLY	1	
4	EE17949	VALVE, 3-WAY OPENING BALL, BRASS	2	
5	EE56535	FUEL PIPE, 3/4"	2	
6	EE18071	VALVE, LOCKING BALL, BRASS, 3/8" FNPT	2	
7	EE18068	VALVE, LOCKING BALL, BRASS, 3/4" FNPT	1	
8	EE56534	BRACKET, PRIMING PUMP ASSEMBLY	1	
9	EE6532	BRACKET, DUAL HOLE	1	
10	EE2614	SWITCH, TOGGLE, DPDT	1	
11	EE8533	PLACARD, PLASTIC ACRYLIC	1	
12	EE50144	PUMP, FUEL, 24V (~)	1	
13	EE56399	FUEL TANK, DOUBLE WALL, 600 GL.	1	

# FUEL PLATFORM ASSY.

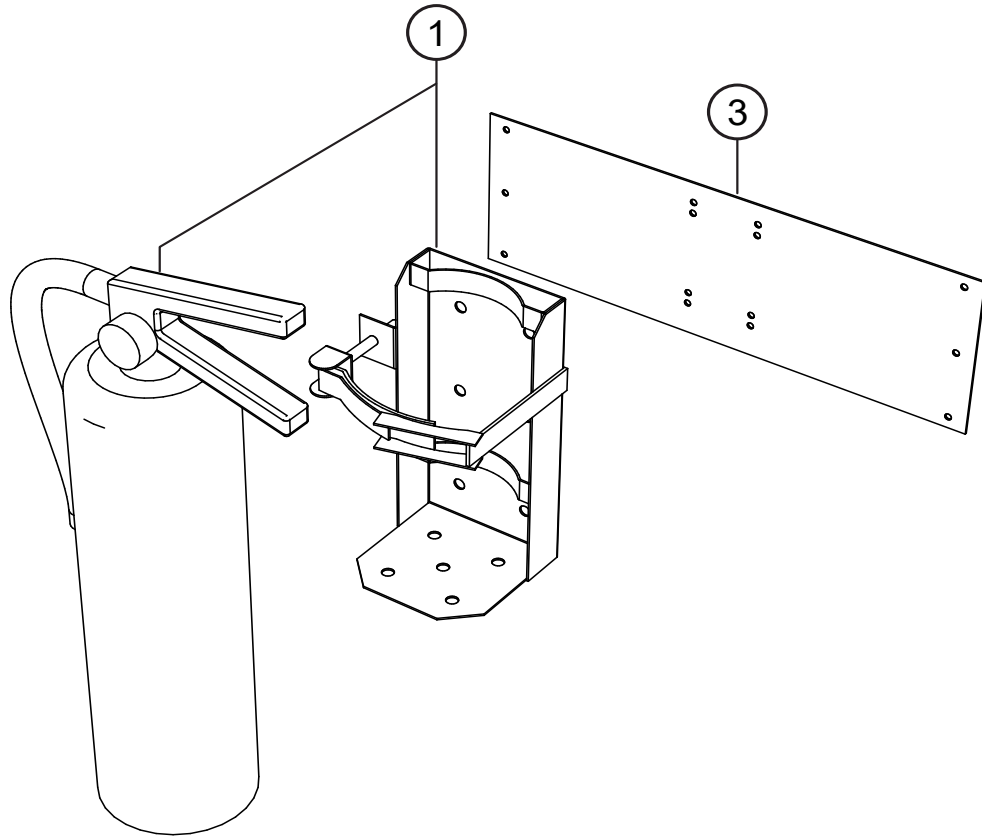


## FUEL PLATFORM ASSY.

<u>NO.</u>	<u>PART NO.</u>	<u>PART NAME</u>	<u>QTY.</u>	<u>REMARKS</u>
1	EE23049	ELBOW, SPEED RAIL SLIP-ON	2	
2	EE23045	PIPE, 6061-T6 ALUMN., 1-1/4"	1	
3	EE23050	ELBOW, SIDE OUTLET, SPD. RAIL SLIP-ON	1	
4	EE23047	PIPE, 6061-T6 ALUMN., 1-1/4"	1	
5	EE23046	PIPE, 6061-T6 ALUMN., 1-1/4"	2	
6	EE23046	PIPE, 6061-T6 ALUMN., 1-1/4"	2	
7	EE8542	STIFFENER, ALUMN., 20' CONT.	2	
8	EE25074	ANGLE MOUNTING, ALUMN.	2	
9	EE42624	SPACER, ALUMN., 3/8" BOLT	3	
10	EE21976	FLANGE, SPEED RAIL SLIP ON	2	
11	EE8540	SIDE CHANNEL, RAIL, RIGHT	1	
12	EE42620	FITTING, MODIFIED SPEED RAIL	1	
13	EE8448	PLATE, STRIKE, #18 GA, S.S.	2	
14	EE8447	BRACKET, HOOK RECEIVER, S.S.	2	
15	EE23048	PIPE, 6061-T6 ALUMN., 1-1/4"	1	
16	EE8554	PLATE, CAP HOOK RECEIVER MTG., SS	1	
17	EE25336	STEP, 7" GRIP STRUT, ALUMN., 28" LG.	2	
18	EE23051	STEP, 18-3/4" GRIP STRUT, ALUMN., 28" LG	3	
19	EE8541	SIDE CHANNEL, RAIL, LEFT	1	
20	EE25074	ANGLE MOUNTING, ALUMN.	2	

# FIRE EXTINGUISHER KIT ASSY.

---



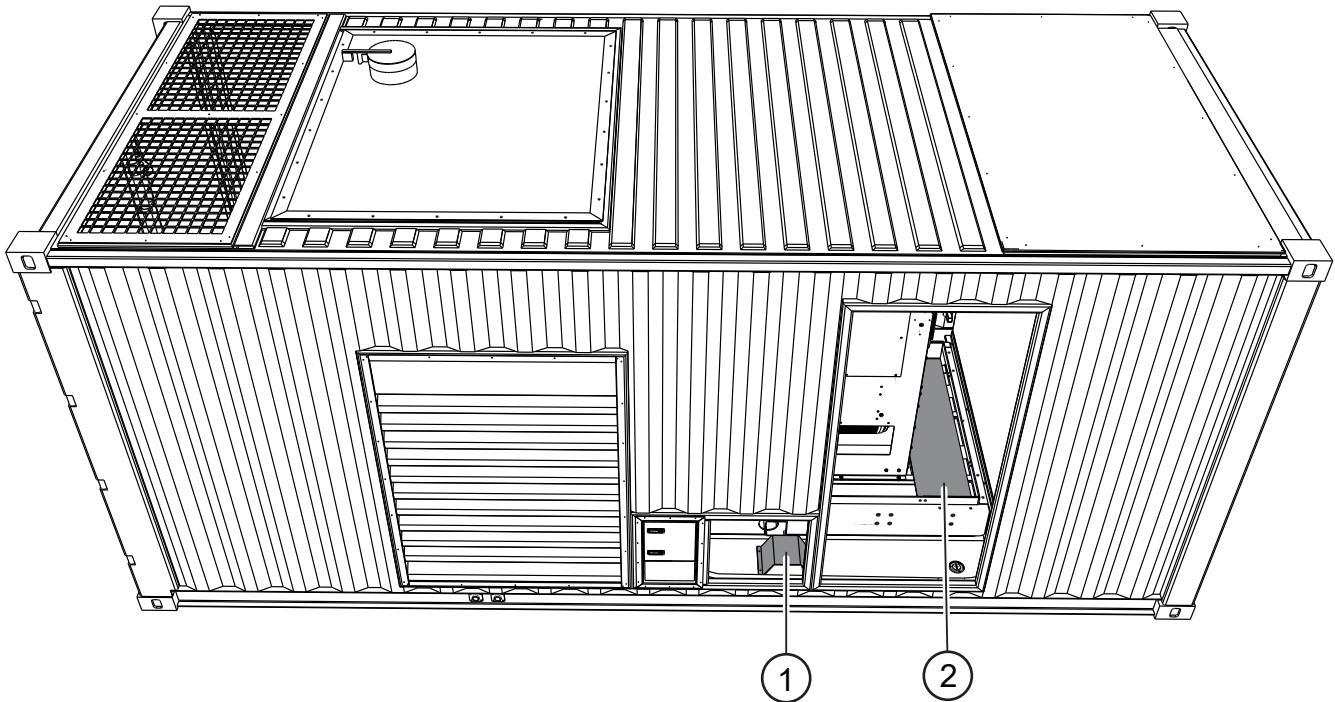
## **FIRE EXTINGUISHER KIT ASSY.**

---

<u>NO.</u>	<u>PART NO.</u>	<u>PART NAME</u>	<u>QTY.</u>	<u>REMARKS</u>
1	EE18221	EXTINGUISHER, FIRE	1	
3	EE25199	BRACKET, MOUNTING	2	

# STEP PLATE/FUEL LINE/STEP HAT SECTION ASSY.

---



## **STEP PLATE/FUEL LINE/STEP HAT SECTION ASSY.**

---

<u>NO.</u>	<u>PART NO.</u>	<u>PART NAME</u>	<u>QTY.</u>	<u>REMARKS</u>
1	EE56812	STEP PLATE, ALUMINUM DIAMOND PLT.	1	
2	EE56827	HAT SECTION, CONDUIT STEP-OVER	1	