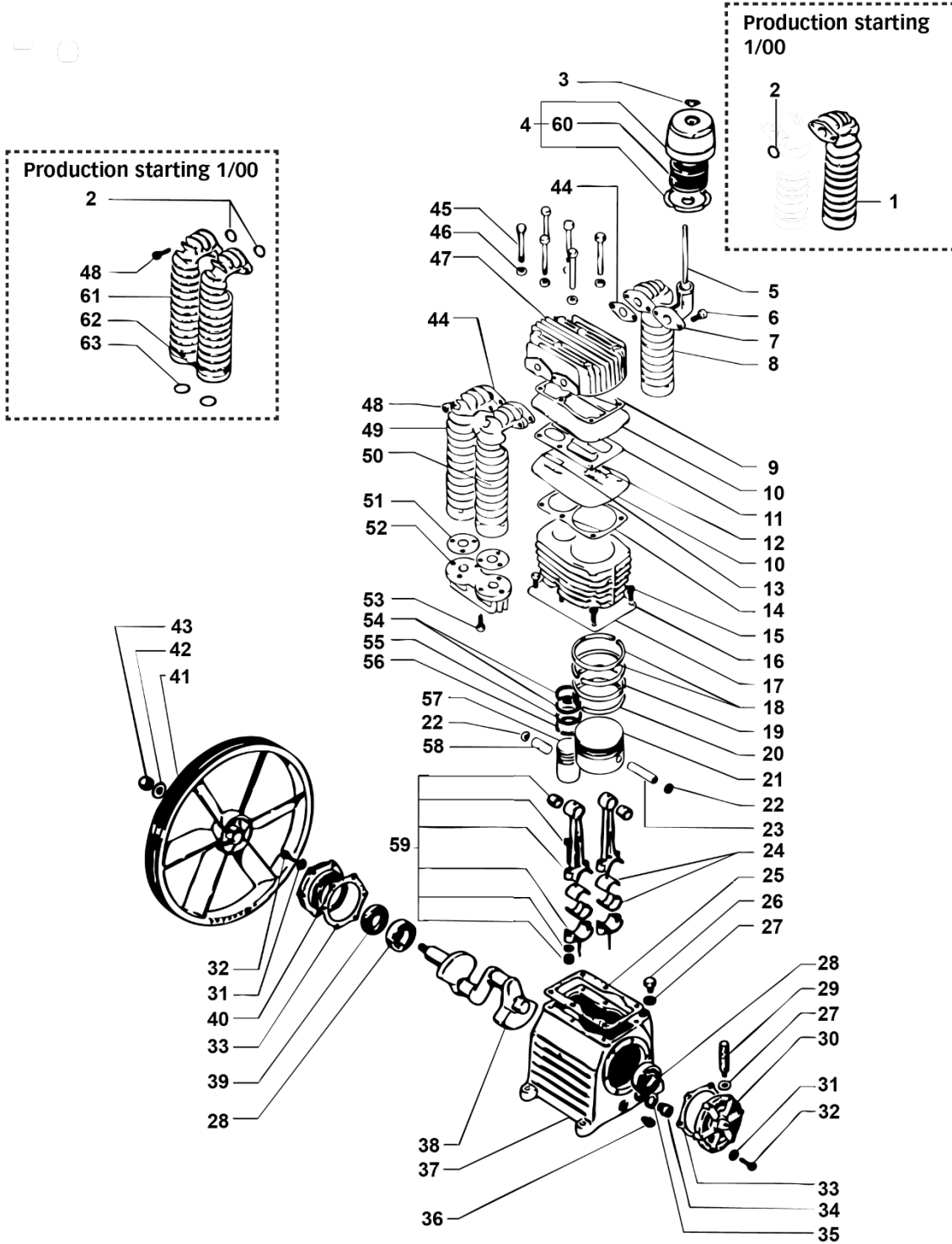
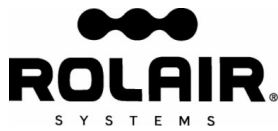


**SCHEMATIC FOR  
PMP22K50**





### PARTS LIST FOR PMP22K50

Sch.#	Description	Part#	Qty
1	Aftercooler (current)	3290417ACH	1
2	O Ring	30502400CH	3
3	Wing Nut	37400450CH	1
4	Intake Assy *	SP81000	1
5	Intake Rod	37304130CH	1
6	Bolt	37302470CH	2
7	Intake Elbow	35604140CH	1
8	Aftercooler (old style)	Order 1 & 2	1
9	Gasket	30504080CH	1
10	Valve Plate	32703670CH	2
11	Gasket	30504070CH	1
12	Valve - LP	32704060CH	2
13	Valve - HP	32702400CH	2
14	Gasket	30504030CH	1
15	Bolt	37304020CH	6
16	Washer	37504230CH	6
17	Cylinder	31604010CH	1
18	Ring - LP	31204000CH	2
19	Ring - LP	31203980CH	1
20	Ring - LP	31203960CH	1
21	Piston - LP	31203940CH	1
22	Snap Ring	37603900CH	4
23	Piston Pin - LP	31203910CH	1
24	Con Rod Inserts	31103860CH	2
25	Gasket	30503820CH	1
26	Oil Fill Plug	36503650CH	1
27	Gasket	3050016ACH	2
28	Roller Bearing	30303720CH	2
29	Crankcase Vent	36500300CH	1
30	Bearing Carrier	30403790CH	1
31	Washer	37508130CH	12
32	Bolt	37304240CH	12
33	Gasket	30503740CH	2
34	Sight Glass w/gasket	36504450CH	1
35	Gasket	30504440CH	1
36	Oil Drain Plug	BLSQPL0250	1
37	Crankcase	33103700CH	1
38	Crankshaft	30203710CH	1
39	Oil Seal	30303730CH	1
40	Bearing Carrier	30403750CH	1
41	Flywheel	31004050CH	1
42	Washer	37503770CH	1
43	Bolt	37403780CH	1
44	Gasket	30504190CH	3
45	Bolt	37304100CH	6
46	Washer	37504110CH	6
47	Head	31304090CH	1
48	Bolt	37304180CH	4
49	Cooler (old style)	Order 2, 61, 63	1
50	Cooler (old style)	Order 2, 62, 63	1
51	Gasket	30504120CH	2
52	Connector	36904200CH	1
53	Bolt	37307570CH	6
54	Ring - HP	31203990CH	2
55	Ring - HP	31203970CH	1
56	Ring - HP	31203950CH	1
57	Piston - HP	31204520CH	1
58	Piston Pin - HP	31203920CH	1
59	Con Rod Assy	31103690CH1	2
60	Intake Element	35602380CH	1
61	Cooler (current)	3290415ACH	1
62	Cooler (current)	3290416ACH	1
63	O Ring	30502700CH	2
Kits			
	Gasket Set (2,9,11,14,25,27,29,33,34,63)	K50GASKETS	1
	Ring Set (18,19,20,54,55,56)	K50RINGS	1
	Valve Plate Assembly (9,10,11,12,13,14)	5000VK50	1
	Valve Kit (9,11,12,13,14)	VKK50	1
	Piston Assembly - LP (18, 19,20,21,22,23)	5000PLPK50	1
	Piston Assembly - HP (22,54,55,56,57,58)	5050PHPK50	1