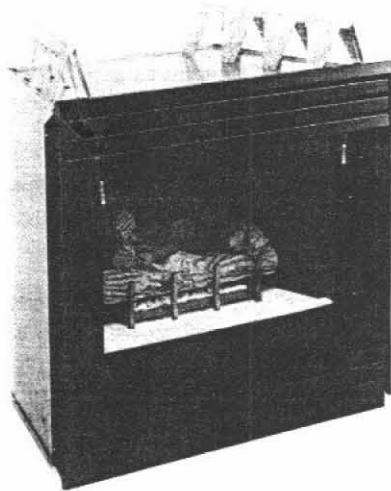


Installation And Operating Instructions

*For Superior's
Discovery Series
Sealed Combustion
Decorative Gas
Appliance*

*Natural Gas Models
DS-36RN
Propane Models
DS-36RP*

*And Termination
Components
DSR-EXT12
DSR-EXT6
DSR-HTK
ELB-45*



WARNING: IMPROPER INSTALLATION, ADJUSTMENT, ALTERATION, SERVICE OR MAINTENANCE CAN CAUSE INJURY OR PROPERTY DAMAGE. REFER TO THIS MANUAL. FOR ASSISTANCE OR ADDITIONAL INFORMATION CONSULT A QUALIFIED INSTALLER, SERVICE AGENCY OR THE GAS SUPPLIER.

FOR YOUR SAFETY

What to do if you smell gas:

- Do not try to light any appliance.
- Do not touch any electrical switches. Do not use any phone in your building.
- Immediately call your gas supplier from a neighbor's phone. Follow the gas supplier's instructions.
- If you cannot reach your gas supplier, call the fire department.

FOR YOUR SAFETY

Do not store or use gasoline or other flammable vapors or liquids in the vicinity of this or any other appliance.

WARNING: THE DS-36R SERIES FIREPLACES ARE VENTED DECORATIVE GAS APPLIANCES. DO NOT BURN WOOD OR OTHER MATERIAL IN THESE APPLIANCES.

Due to high temperatures, the appliance should be located out of traffic and away from furniture or drapes. Do not place clothing or other materials on or near the appliance.

PLEASE RETAIN THIS MANUAL FOR FUTURE REFERENCE.

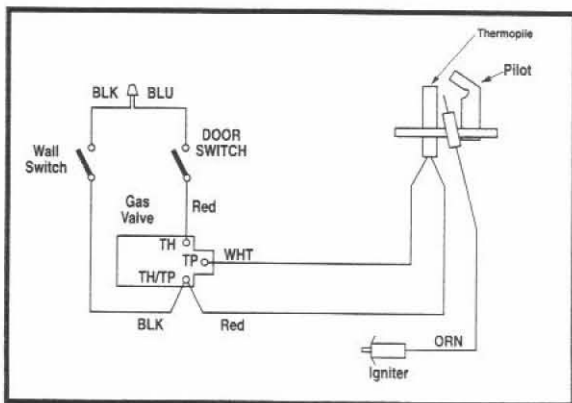
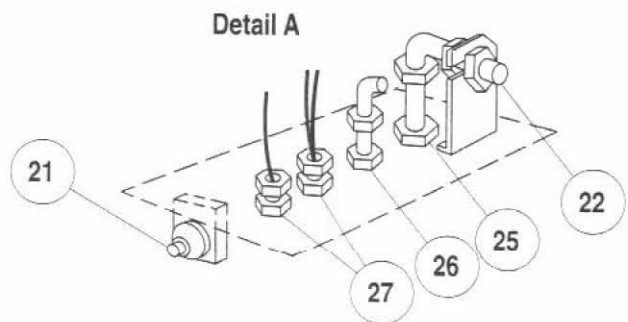
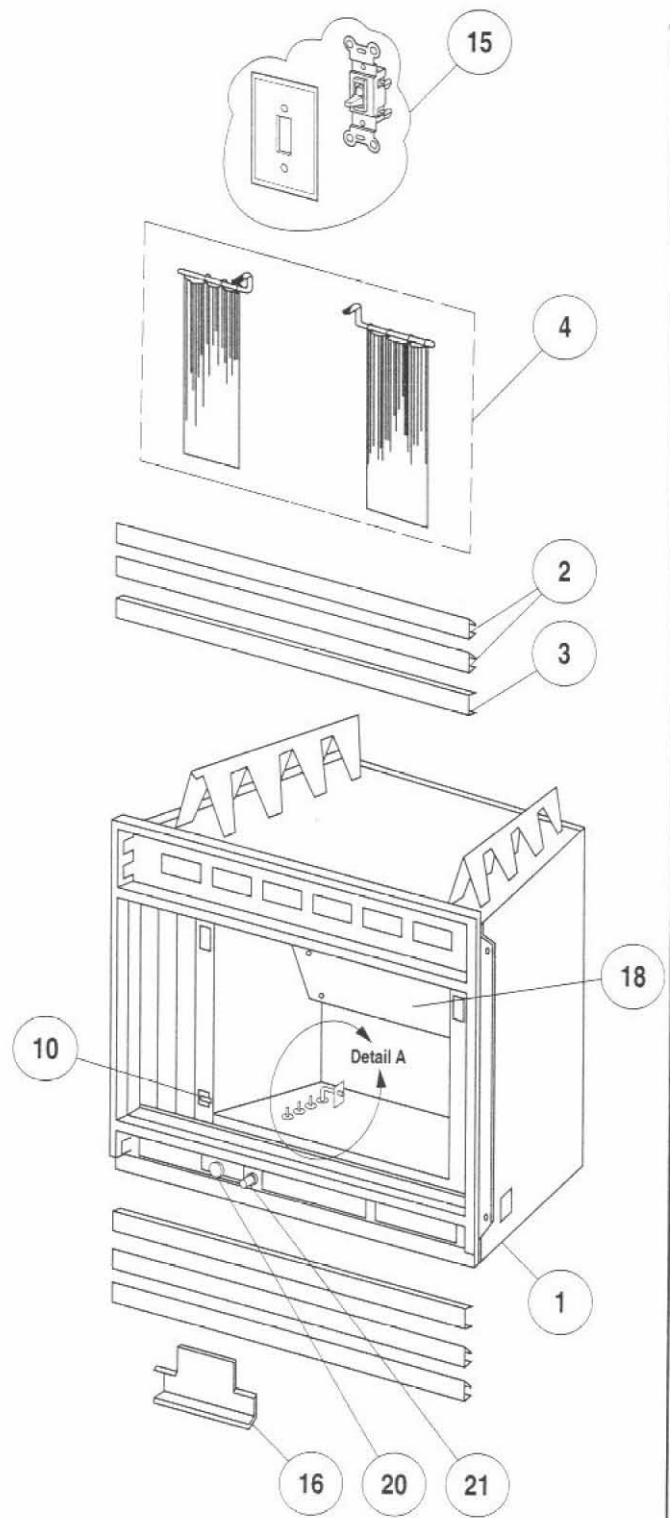
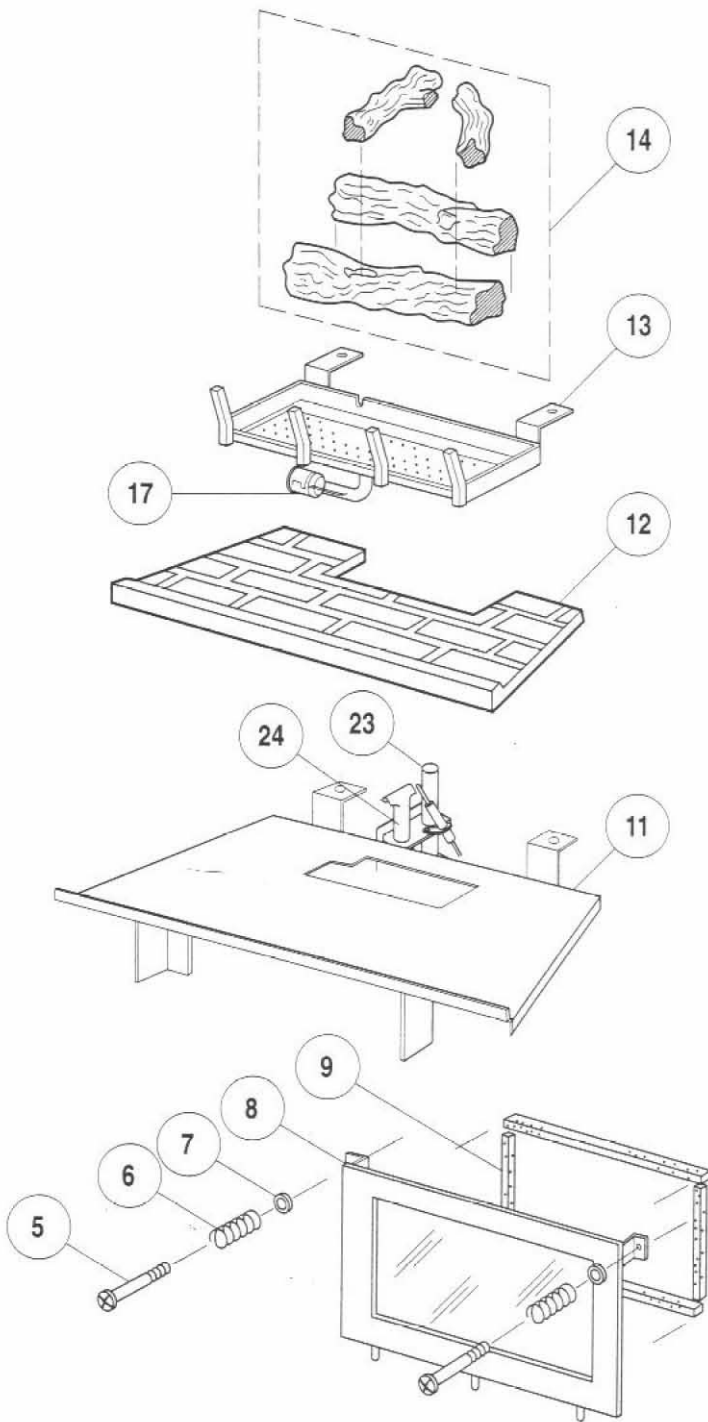


REPLACEMENT PARTS LIST

No.	DESCRIPTION	DS-36RN		DS-36RP	
		Part No.	Qty.	Part No.	Qty.
1.	Gas Fireplace Assembly	046141	1	046142	1
2.	Bar, Louver (black)	024501	4	024501	4
3.	Trim, Upper/Lower (brass)	037171	2	037171	2
4.	Screen Assembly		1		1
	Screen Panel/Pull	095883	2	095883	2
	Screen Rod - RH	037312	1	037312	1
	Screen Rod - LH	037311	1	037311	1
5.	Bolt	000817	2	000817	2
6.	Spring	097953	2	097953	2
7.	Washer	000703	2	000703	2
8.	Glass Frame Assembly with Gaskets	046022	1	064022	1
9.	Gasket - Top/Bottom	097961	2	097961	2
	Gasket - side	097962	2	097962	2
10.	Switch	097937	1	097937	1
11.	Control Panel Assembly	047581	1	047581	1
12.	Refractory, Bottom	024931	1	024931	1
13.	Burner Assembly	046641	1	046643	1
14.	Log Set	043321	1	043321	1
	Front Log	041207	1	041207	1
	Rear Log	041202	1	041202	1
	Top Right Log	041194	1	041194	1
	Top Left log	041196	1	041196	1
15.	Wall Switch Kit	025972	1	025972	1
16.	Cover Plate	032381	1	032381	1
17.	Venturi	093537	1	093537	1
18.	Radiant Panel	046431	1	046431	1

GAS CONTROLS

No.	DESCRIPTION	DS-36RN		DS-36RP	
		Part No.	Qty.	Part No.	Qty.
20.	Gas Valve – Robertshaw	009737	1	093771	1
21.	Piezo Igniter	091301	1	091301	1
22.	Orifice Fitting – Standard	094481	1	094482	1
	Orifice – High Altitude	094113	1	094114	1
23.	Flame Switch	-	-	-	-
24.	Thermopile	094527	1	094527	1
25.	Pilot Assembly	093763	1	093764	1
26.	Bulkhead Union	094502	1	094502	1
27.	Bulkhead Union	094501	1	094501	1
28.	Fitting	094499	2	094499	2



WIRING DIAGRAM