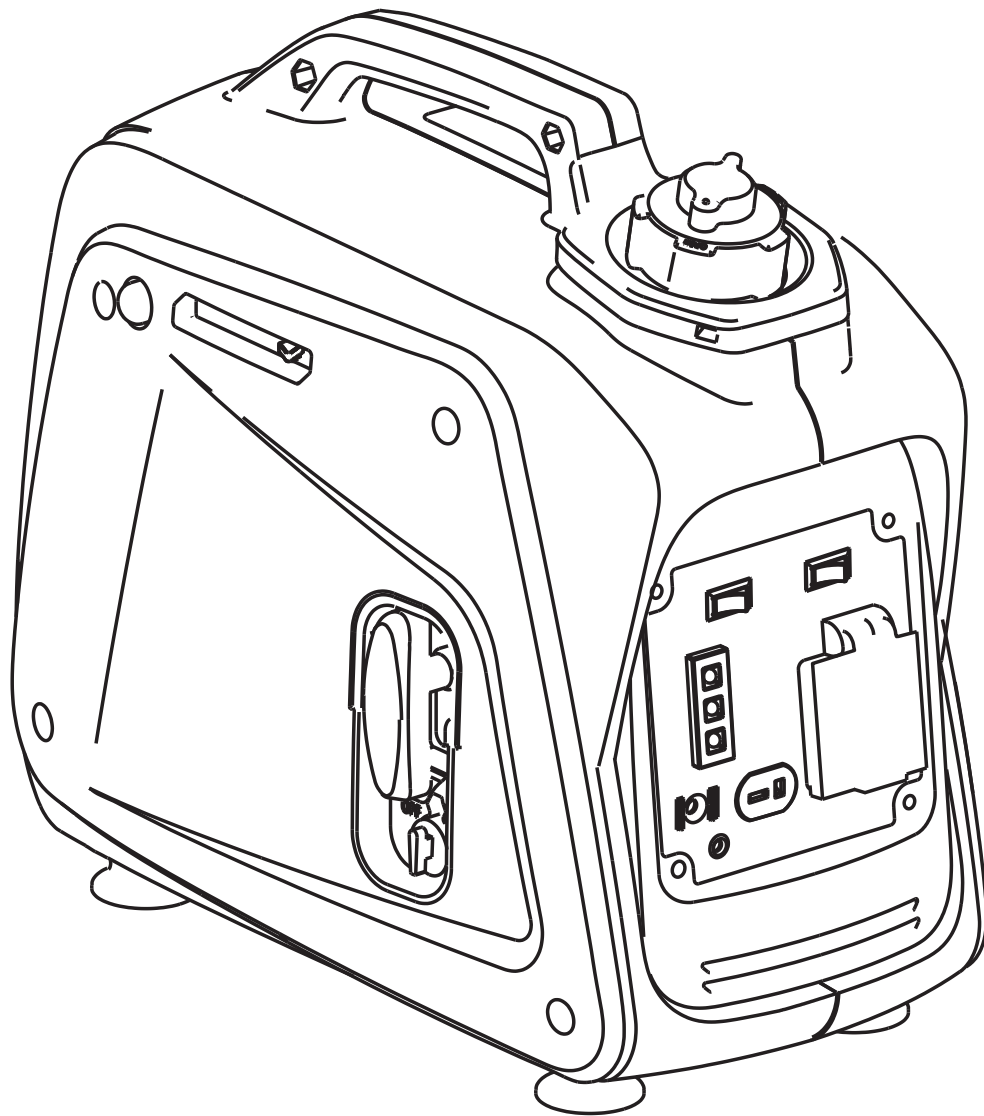


Earthquake™

Operator's Manual
**800 Watt
Inverter Generator**

SN

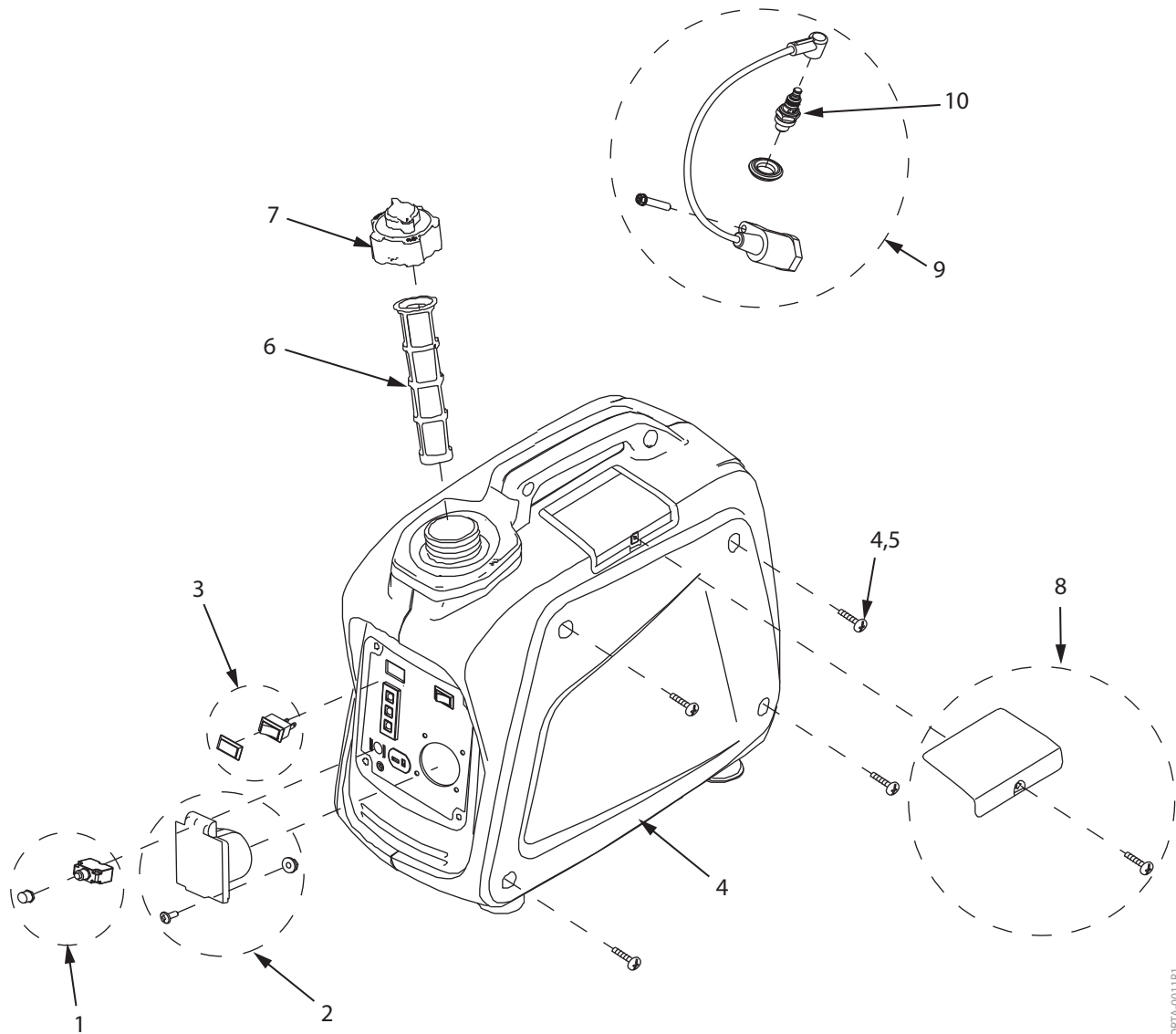


Model #: IG800W



P/N: 21377
ECN: 10650
REV1: 11/15/14
© 2014 Ardisam, Inc.
All Rights Reserved

ILLUSTRATED PARTS BREAKDOWN



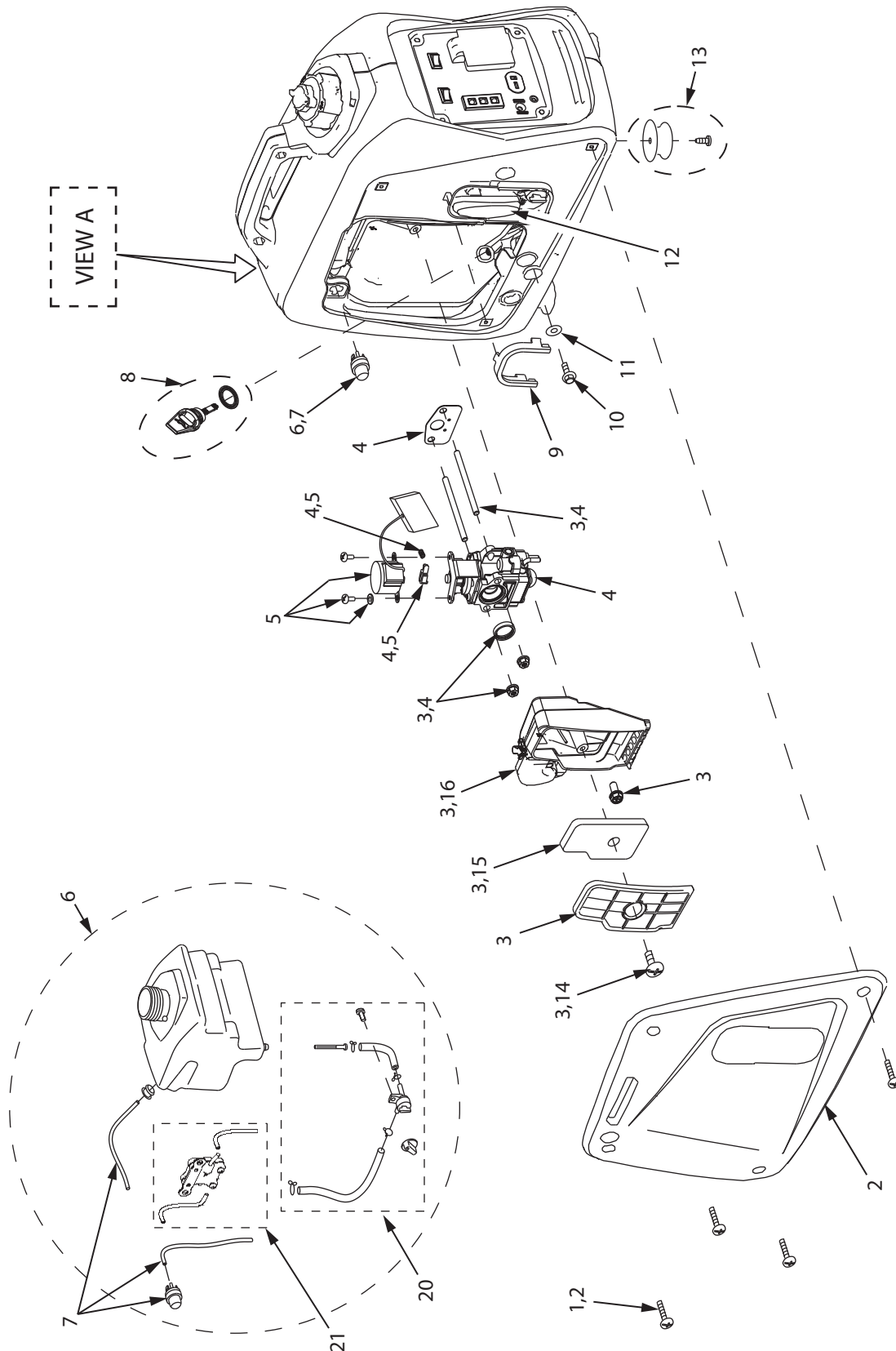
PORTA-0011R1

KEY	PART #	DESCRIPTION	QTY.
1	16116	KIT, CIRCUIT BREAKER 4.5 AMP	1
2	16118	KIT, US OUTLET/SOCKET 110VAC	1
3	16117	KIT, I-O SWITCH WITH COVER	2
4	16113	KIT, PANEL S PLUG PANEL SIDE W/ SCREWS	1
5	16072	SCREW M4.8 X 13 PPHB GR8.8 BLK OXT/F	4

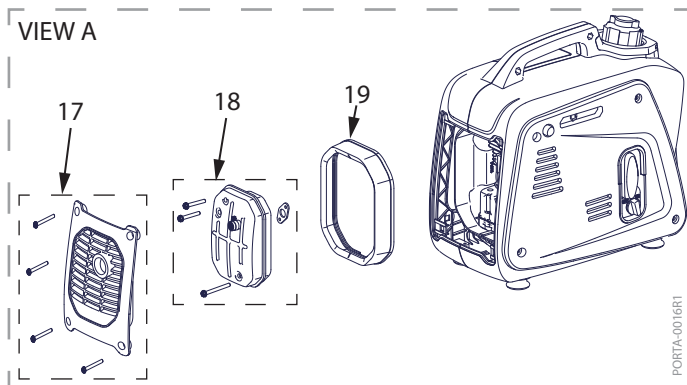
KEY	PART #	DESCRIPTION	QTY.
6	15993	FUEL FILL STRAINER	1
7	15992	CAP, FUEL MANUAL VENT	1
8	16110	KIT, SPARK PLUG ACCESS PANEL	1
9	16107	KIT, 40CC 4-CYCLE COIL W/ SPARK PLUG	1
10	13243	SPARK PLUG TORCH CMR6A (NGK 1223)	1

ILLUSTRATED PARTS BREAKDOWN

PORTA-0012R1



ILLUSTRATED PARTS BREAKDOWN



KEY	PART #	DESCRIPTION	QTY.
1	16072	SCREW (M4.8 X 13 PPHB GR8.8 BLK OX T/F)	4
2	16111	KIT, RECOIL PANEL SIDE W/ SCREWS	1
3	16086	KIT, AIR FILTER ASSEMBLY WITH CHOKE	1
4	16087	KIT, CARBURETOR REPLACEMENT	1
5	16115	KIT, THROTTLE CONTROL	1
6	16108	KIT, FUEL SYSTEM	1
7	16109	KIT, REMOTE PRIMER BULB W/ 2.5MM LINES	1
8	13393	KIT, OIL CAP WITH O-RING	1
9	16024	RECOIL ROPE GUARD	1
10	6272	BOLT (M6 X 1.0 X 12 HHFCS GR8.8 ZN)	1
11	16146	WASHER M6 X 13 X 2 FLAT ALUM	1
12	16101	KIT, RECOIL ASSEMBLY	1
13	16114	KIT, RUBBER FEET W/ SCREWS X4	1
14	16070	SCREW M5-0.8 X 12 PTHMS ZN 2MM SHLDR	1
15	15963	AIR FILTER, (XY139F-6)	1
16	15964	KIT, AIR BOX ASSEMBLY WITH CHOKE	1
17	20351	KIT, MUFFLER SHROUD IG800W	1
18	16166	MUFFLER 40CC 4-CYCLE	1
19	16176	GASKET, MUFFLER IG800W	1
20	20368	KIT, FUEL PETCOCK IG800W	1
21	20998	KIT, FUEL PRESSURE PUMP	1