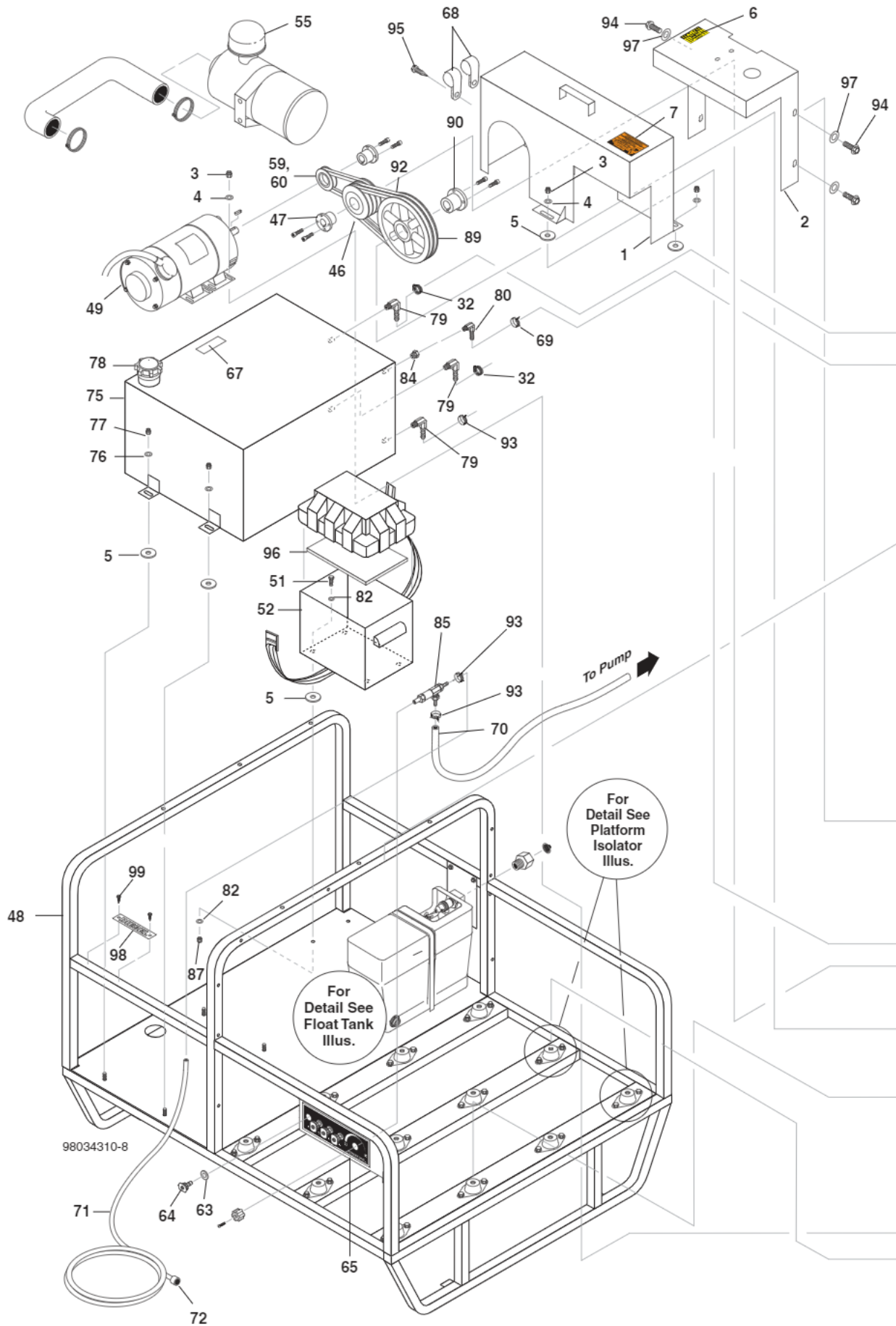
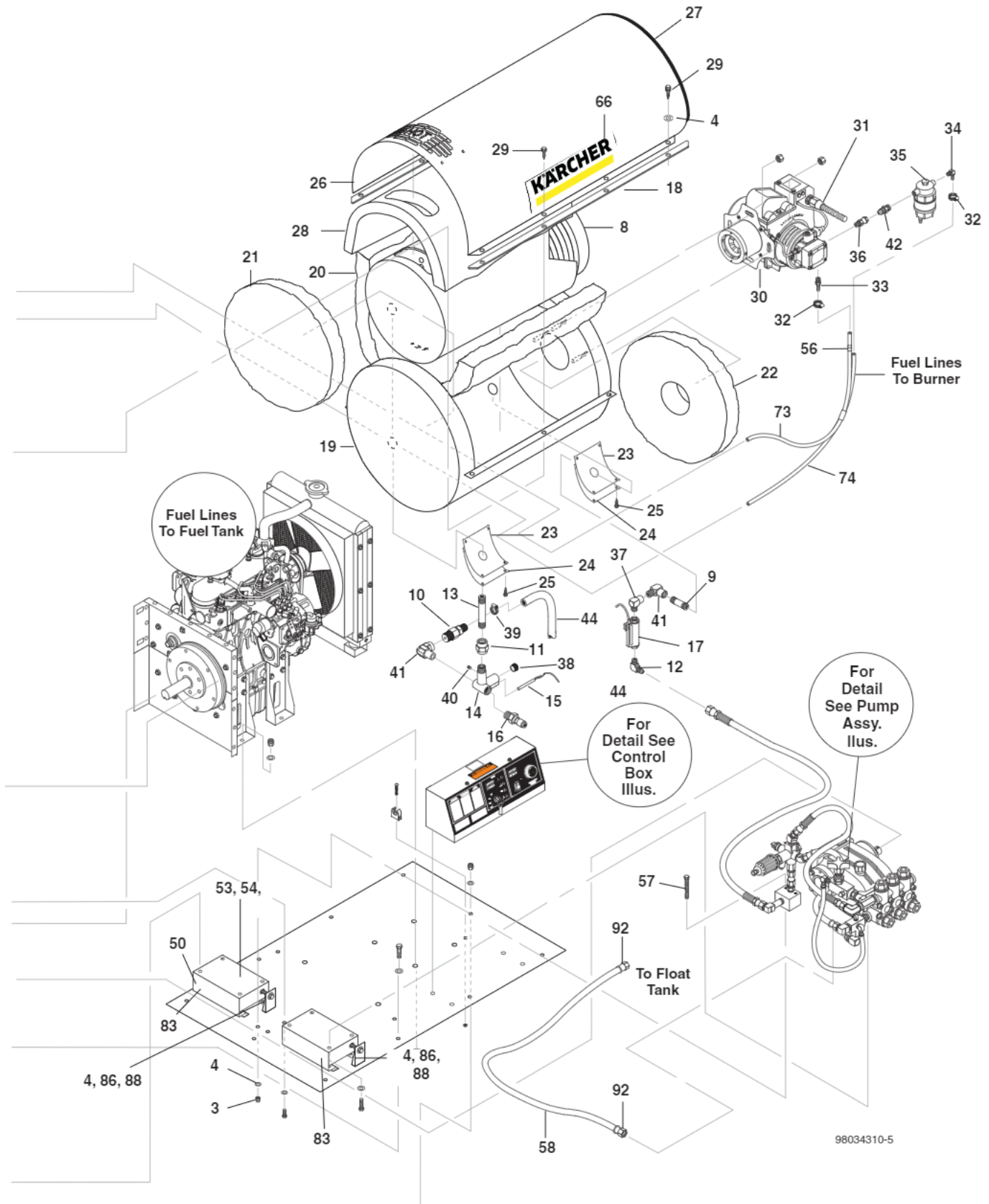


EXPLODED VIEW



EXPLODED VIEW



EXPLODED VIEW PARTS LIST

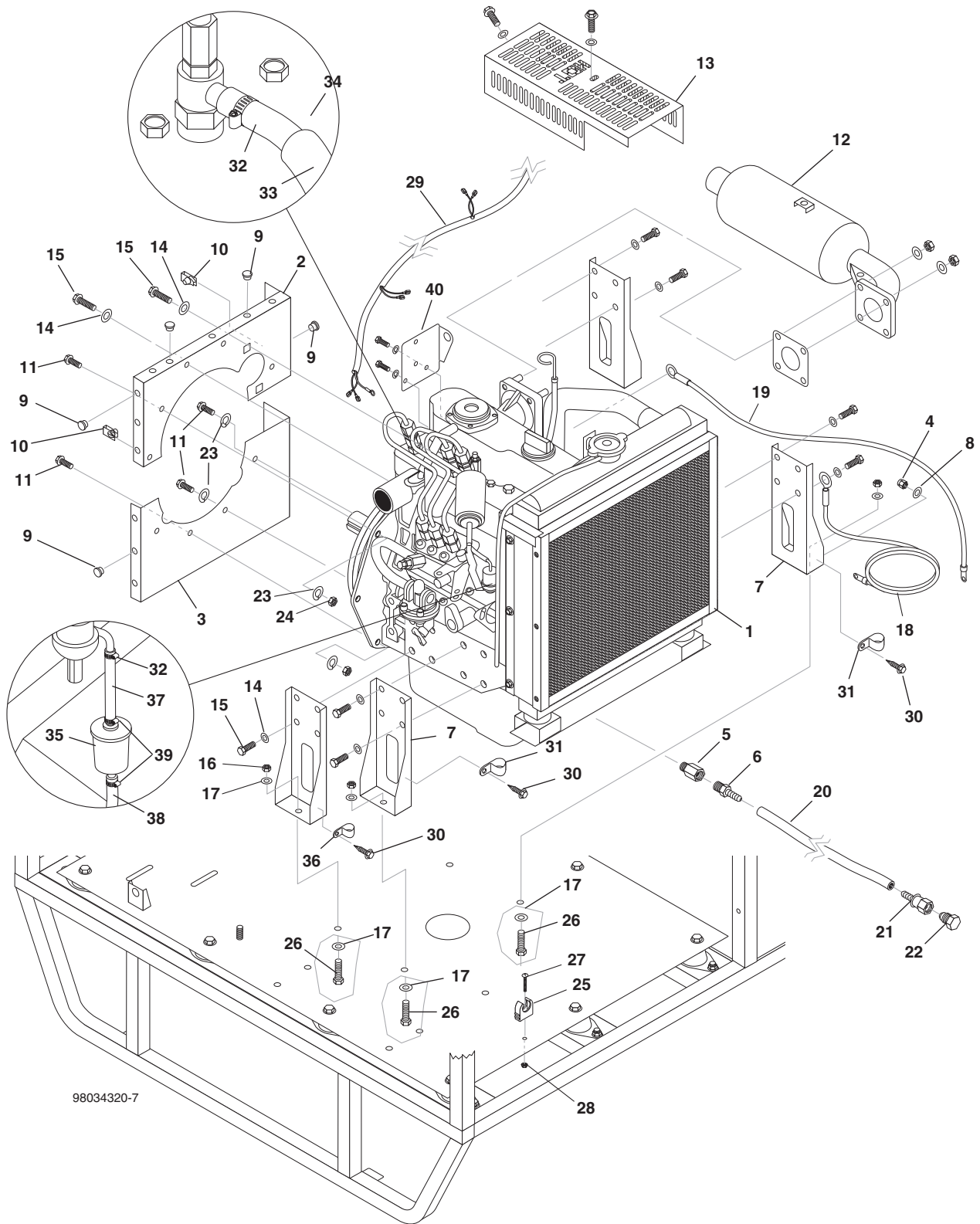
ITEM	PART NO.	DESCRIPTION	QTY	ITEM	PART NO.	DESCRIPTION	QTY
1	8.923-963.0	Wlmt,Belt Guard, Diesel Black (621.0) 12V DC	1	36	8.757-673.0	Adapter swivel steel 1/4 JICx1/4 NPTF(M)	1
	8.923-933.0	Wlmt, Belt Guard, Diesel Black (620.0) 120V AC	1	37	9.802-042.0	ELBOW, 1/2 JIC X 3/8 FEM, 90DGR, ST	1
2	8.923-934.0	Wlmt Cover, Engine	1	38	8.757-241.0	Plug, 3/8" ALLEN COUNTER SUNK, W/TAG	2
3	9.802-779.0	Nut, 3/8" ESNA, NC	9	39	9.803-559.0	Clamp,Screw, 9/16"W, 1-1/4"OD, SS	1
4	9.802-807.0	Washer, 3/8", SAE, Flat	18	40	9.196-012.0	Screw, 10-24 x 1/4"	1
5	9.802-067.0	Bumper Pad, Engine	11	41	8.757-239.0	Elbow Steel 3/8 NPTF-MX1/2 NPTF-F W/Slnt	1
6	9.800-006.0	Label, Hot/Caliente w/Arrows Warning	1	42	8.757-674.0	Adapter steel 1/4 JIC x 1/4 NPTF (M)	1
7	8.932-965.0	Label, Warning-Exposed Pulleys	1	43	9.802-781.0	▲ Nut Flange	2
8	9.803-014.0	Coil, Rodless	1	44	9.802-260.0	Hose, 5/8" Push-On	24"
9	8.757-405.0	Nipple Steel 1/2" X 2-1/2" SCH 80 W/SLNT	1	45	9.802.727.0	▲ Bolt 3/8 x 1 3/4	2
10	8.707-381.0	Rupture Disc Assy, 8500#	1	46		Pulley, See Parts Specifications Pages	
11	8.706-141.0	Coupling, 1/2", Steel	1	47		Bushing, See Parts Specifications Pages	
12	8.757-616.0	Adapter 1/2 JIC (M) x 3/8 BSPP (M) 90°	1	48	8.923-960.0	Wlmt, Frame, Diesel Skid	1
13	8.757-231.0	Nipple, 1/2" X 3", TAGGED	1	49	8.757-639.0	Generator, TB2400	1
14	8.757-240.0	Manifold, Coil Outlet Discharge, W/Tag	1	50	9.802-720.0	▲ Bolt, 3/8" x 1", NC HH (621.0)8	
15	8.750-094.0	Thermostat, Adjustable 302°F	1	51	9.802-701.0	Bolt, 1/4" x 1", Hex Head	4
16	9.802-171.0	Nipple, 3/8" x 3/8" NPT, Male	1	52	8.706-600.0	Box, Battery, M100, Large	1
17	8.933-006.0	Switch, MV60	1	53	9.803-004.0	Weldment, Generator, Rail Self-Aligning	1
18	8.924-310.0	Spacer, Outer Wrap	2	54	9.802-720.0	▲ Bolt, 3/8" x 1", NC HH (620.0)	4
19	8.921-606.0	Weldment, Bottom Wrap,	1	55	8.754-273.0	Cap, Air Cleaner, D1105	1
20	9.802-896.0	Insulation, Blanket, No Foil	1	56	8.754-911.0	Ckeck Valve, 1 Way 1/4" Barb	1
21	9.802-883.0	Insulation, Front Head, No Hole	1	57	8.754-643.0	Bolt, Hex 3/8" x 2-1/2"	2
22	9.802-894.0	Insulation, Burner Head, w/Hole	1	58	9.802-261.0	Hose, 3/4" Push-On	48"
23	8.933-009.0	Gasket, Burner Plate	2	59		Pulley, See Parts Specifications Pages	
24	9.803-132.0	Insulation Retainer	2	60		Bushing, See Parts Specifications Pages	
25	9.802-797.0	Screw, SS #10 HH Tek	8	61		Belt, See Parts Specifications Pages	
26	9.803-005.0	Top Wrap, SS	1	62	8.752-150.0	▲ Cord, Molded	1
27	9.802-071.0	Trim, 750 B2 x 1/16" Black	30"	63	9.802-064.0	Grommet, Rubber, Nozzle	4
28	9.802-902.0	Insulation/Blanket, Die-Cut	28	64		Nozzle, See Hose & Spray Gun Assembly	
29	9.802-766.0	Screw, 3/8" x 1" HX Wash Head	8	65	8.900-247.0	Label, Detergent Valve	1
30		Burner Assembly, See Spec's Pages		66	8.932-985.0	Label, Karcher, Stripe, 17" X 3.875"	1
31	9.802-519.0	▲ Strain Relief, 1/2" Metal, Two Screw	1	67	8.932-960.0	Label, Diesel Fuel	1
32	9.709-069.0	Clamp, Screw, 5/16"W 1/4-5/8"D SS	4	68	9.802-204.0	Clamp, Wire /Tube, .75	2
33	8.757-199.0	Hose Barb, 1/4" BARB x 1/4" M-NPTF, BRASS	1	69	8.709-116.0	Clamp Hose .40	1
34	8.706-958.0	Hose Barb, 1/4" Barb x 1/4" M-NPTF, 90°	1				
35	8.725-306.0	Filter, Fuel/H ₂ O/Oil Separator	1				

EXPLODED VIEW PARTS LIST

ITEM	PART NO.	DESCRIPTION	QTY
70	9.802-252.0	Hose, 1/4" x 1/2", Braided Vinyl	12"
71	9.802-251.0	Tube, 1/4" x 1/2", Clear Vinyl	72"
72	9.802-161.0	Strainer, 1/4", Brass w/Check	1
73	9.802-254.0	Hose, 1/4", Push-On, Fuel Line	24"
74	9.802-254.0	Hose, 1/4", Push-On, Fuel Line	32"
75	9.803-025.0	Fuel Tank Assembly, 20 Gallon MS	1
76	8.718-980.0	Washer, 5/16", Flat, SAE	9
77	9.802-776.0	Nut, 5/16", ESNA, NC	7
78	9.802-082.0	Cap, Fuel Tank, Plastic	1
79	8.757-205.0	Hose Barb, 1/4" Barb x 1/4" M-NPTF Pipe, 90°	3
80	8.757-721.0	Hose barb 90° brass 3/16 x 1/8 NPTF M	1
81	8.757-192.0	▲ Plug, 1/4" NPTF Counter Sunk Brass	1
82	9.802-802.0	Washer, 1/4", Flat, SAE	8
83	9.802-099.0	▲ Washer, Snubbing	6
84	8.757-720.0	Bushing, 1/4" x 1/8" NPT	1
85	9.802-188.0	Valve, Metering, 1/4" Hose	1
86	8.752-818.0	Bolt, 3/8" x 3-1/2", Tap	2
87	9.802-773.0	Nut, 1/4", ESNA, NC	4
88	9.802-789.0	▲ Nut, 3/8", Hex, NC	2
89		Pulley, See Parts Specifications Pages	
90		Bushing, See Parts Specifications Pages	
91		Belt, See Parts Specifications Pages	
92	9.802-152.0	Swivel, 3/4" SAE, Female Push-On	2
93	6.390-126.0	Clamp, Hose, .46-, .54 ST	3
94	8.750-768.0	Screw, 1/-20 x 1" Whiz Loc	4
95	9.802-799.0	Screw, #14 x 1" Tek Blk	4
96	9.802-076.0	Plate, Battery Box, Large	1
97	9.802-805.0	Washer, Flat, SAE, SS	4
98	8.921-831.0	Plate, Diesel	1
99	9.802-797.0	Screw, #10 x 1/2" Tek SS	2
100	8.925-529.0	Adapter Plate TB24 Mild Steel	1
101	9.802-710.0	Screw, 5/16-18 x 1" HH	3
102	8.757-364.0	ADAPTER, 3/4-16 (F) JIC X G 3/8-19 (M)	1
103	8.757-211.0	SEAL, BONDED, BSPP, 3/8" (-06)	1

▲ Not Shown

3 CYLINDER ENGINE MOUNTING ASSEMBLY EXPLODED VIEW

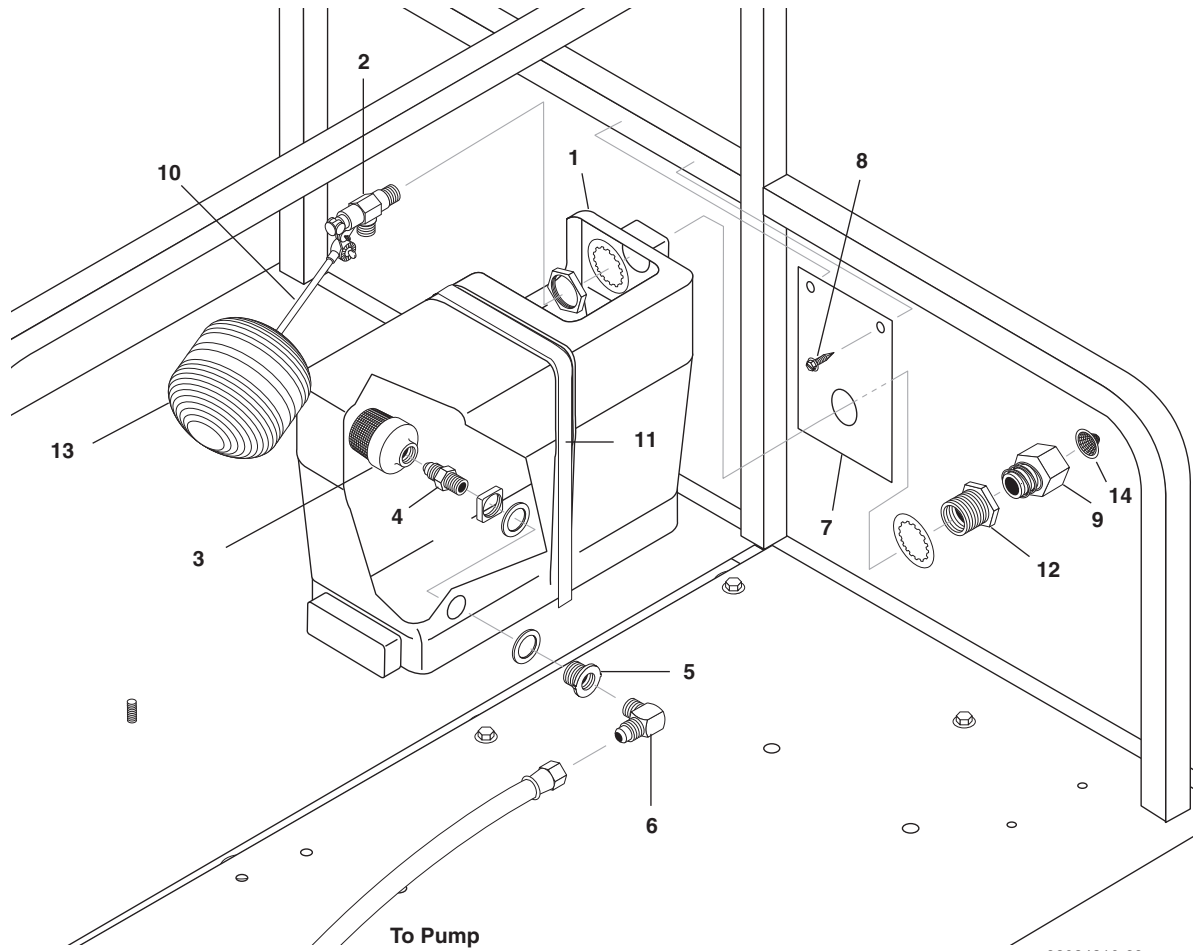


98034320-7

3 CYLINDER ENGINE MOUNTING ASSEMBLY PARTS LIST

ITEM	PART NO.	DESCRIPTION	QTY	ITEM	PART NO.	DESCRIPTION	QTY
1	8.753-177.0	Engine, Kubota D1105-E4B	1	22	9.802-126.0	Plug, 1/2", JIC Flare, 639F-8	1
2	8.923-594.0	Back Plate, Upper D1105	1	23	9.802-813.0	Washer, 5/16" Split Ring Lock	7
3	8.923-595.0	Back Plate, Lower, D1105	1	24	9.804-644.0	Nut, 8mm Hex	3
4	9.802-773.0	Nut, 1/4"-20 ESNA NC	1	25	9.802-203.0	Clamp, 1/2" RO-Clip, Kleinhuis P/N 796/1	1
5	8.753-291.0	Adapter, 3/8" FPT x 12mm, Steel Kubota D1105	1	26	8.753-063.0	Bolt, 7/16"-14 x 1-3/4" Hex, Zinc GR8	4
6	8.757-487.0	Hose Barb Brass 1/2" Barb x 3/8"	1	27	9.802-762.0	Screw, 10/32" x 1-1/4" RH, SL, BLK	1
7	8.923-066.0	Bracket, Engine, Kubota D1105	4	28	9.802-695.0	Nut, 10/32" Keps	1
8	9.802-802.0	Washer, 1/4" Flat SAE Zinc	1	29	8.754-924.0	Electric, Harness, Kubota D1105	1
9	9.802-068.0	Plug, Rubber	5	30	9.802-799.0	Screw, #14 X 1" Tek, Blk, Zinc	2
10	8.753-255.0	Nut, Extruded U-Nut, 1/4"-20	4	31	9.802-204.0	Clamp, Wire/Tube, .75	2
11	9.802-742.0	Bolt, 8mm x 20mm, HH)	7	32	9.709-069.0	Clamp, Screw, 5/16"W 1/4-5/8"D SS	2
12	8.754-271.0	Muffler, Kubota	1	33	9.802-587.0	Insulation, Fiber Sleeving	36"
13	8.923-990.0	Guard, Muffler, Kubota Vert, SSD	1	34	9.802-255.0	Hose, 3/16", Push-On Fuel Line	48"
14	8.754-288.0	Washer, M10, Nordlock, Steel	18	35	8.709-152.0	Filter, Fuel, Disposable	1
15	8.754-269.0	Bolt, 10mm x 25mm, GR	18	36	8.709-096.0	Clamp, RND 0.381 ID	1
16	8.754-004.0	Nut, Nylock, 7/16"-14, GR8 YZ	4	37	9.802-254.0	Hose, 1/4" Push-On	4"
17	8.754-289.0	Washer, 7/16", Nordlock, Steel	8	38	9.802-254.0	Hose, 1/4" Push-On	28"
18	9.802-504.0	Cable, Battery, 36" Black	1	39	6.390-126.0	Clamp, Hose, .46-, .54 ST	2
19	9.802-503.0	Cable, Battery, 36" Red	1	40	8.923-970.0	Bracket, Air filter KUB-D1105, HSS	1
20	9.802-259.0	Hose, 1/2" Push-On, /ft	15"				
21	9.802-151.0	Swivel, 1/2" Barb x 1/2" JIC Fem/Brass	1				

FLOAT TANK ASSEMBLY

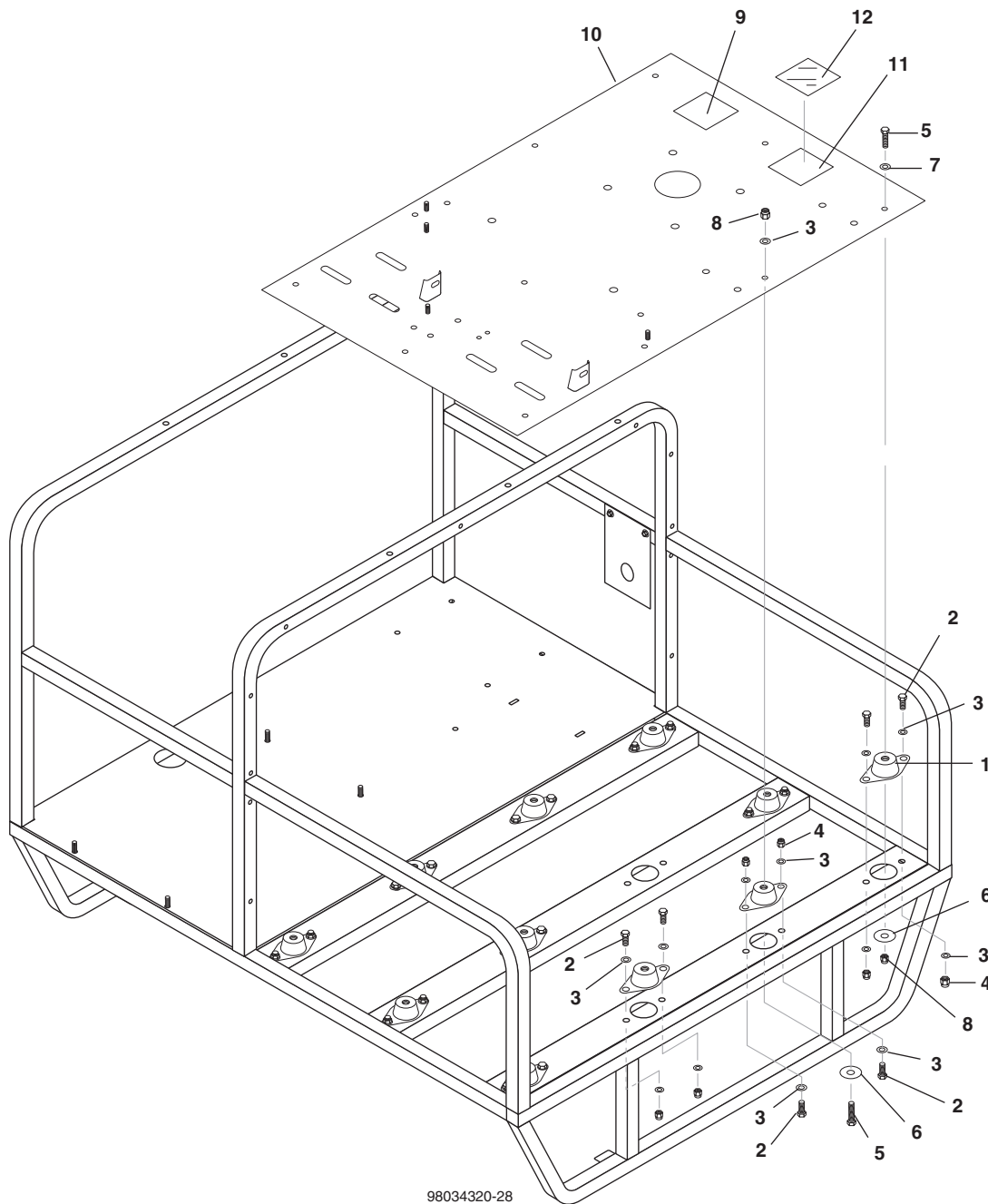


98034310-29

FLOAT TANK PARTS LIST

ITEM	PART NO.	DESCRIPTION	QTY	ITEM	PART NO.	DESCRIPTION	QTY
1	9.802-086.0	Tank, Float 2-1/2 Gal Blank (890880)	1	9	8.757-203.0	Swivel, 1/2" M-NPTF x 3/4" GHF	1
2	8.749-328.0	Valve, Float, PVC	1	10	9.803-671.0	Stem, 5" Float	1
3	9.802-162.0	Strainer, 1/2" Basket	1	11	9.802-512.0	Cable, TY, 48"	1
4	9.802-128.0	Nipple, 1/2" JIC x 1/2" MPT	1	12	8.707-000.0	Anchor, Connector, 1/2"	1
5	8.750-743.0	Bulkhead, 1/2" PVC	1	13	9.802-061.0	Ball, Float, Black Plastic	1
6	8.757-202.0	Elbow, 3/4" 45° SAE X 1/2" M-NPTF, BRASS	1	14	9.804-016.0	Filter Screen Washer, Garden Hose/30MESH	1
7	9.803-007.0	Support Plate, Float Tank	1				
8	9.802-799.0	Screw, #14 x 1", TEK, Black, Zinc	2				

PLATFORM ISOLATOR EXPLODED VIEW

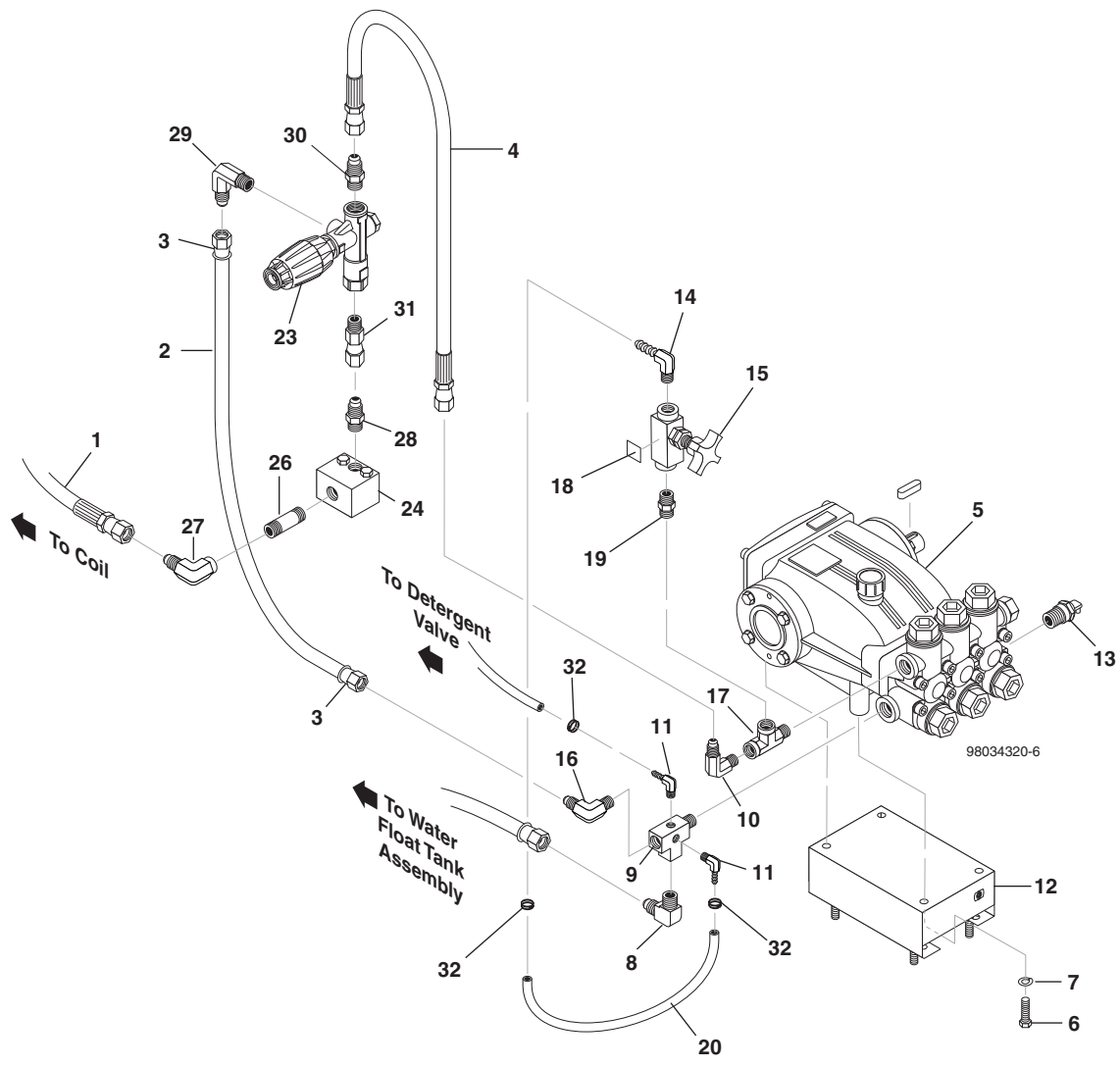


98034320-28

PLATFORM ISOLATOR PARTS LIST

ITEM	PART NO.	DESCRIPTION	QTY	ITEM	PART NO.	DESCRIPTION	QTY
1	9.802-057.0	Isolator, Vibration Mount, 100 LB	11	6	9.802-099.0	Washer, Snubbing	11
2	9.802-710.0	Bolt, 5/16" x 1", NC HH	22	7	9.802-807.0	Washer, 3/8", SAE, Flat	11
3	8.718-980.0	Washer, 5/16", Flat, SAE	44	8	9.802-779.0	Nut, 3/8", ESNA, NC	11
4	9.802-776.0	Nut, 5/16", ESNA, NC	22	9	8.923-560.0	Label, Warning, Super Skid	1
5	9.802-730.0	Bolt, 3/8" x 2-1/2" Grade 5 Zinc	11	10	8.923-928.0	Wlmt, Power Platform, Diesel	1
				11	8.932-968.0	Label, Intended For Outdoor Use	1
				12	9.800-034.0	Label, Clear Lexan	1

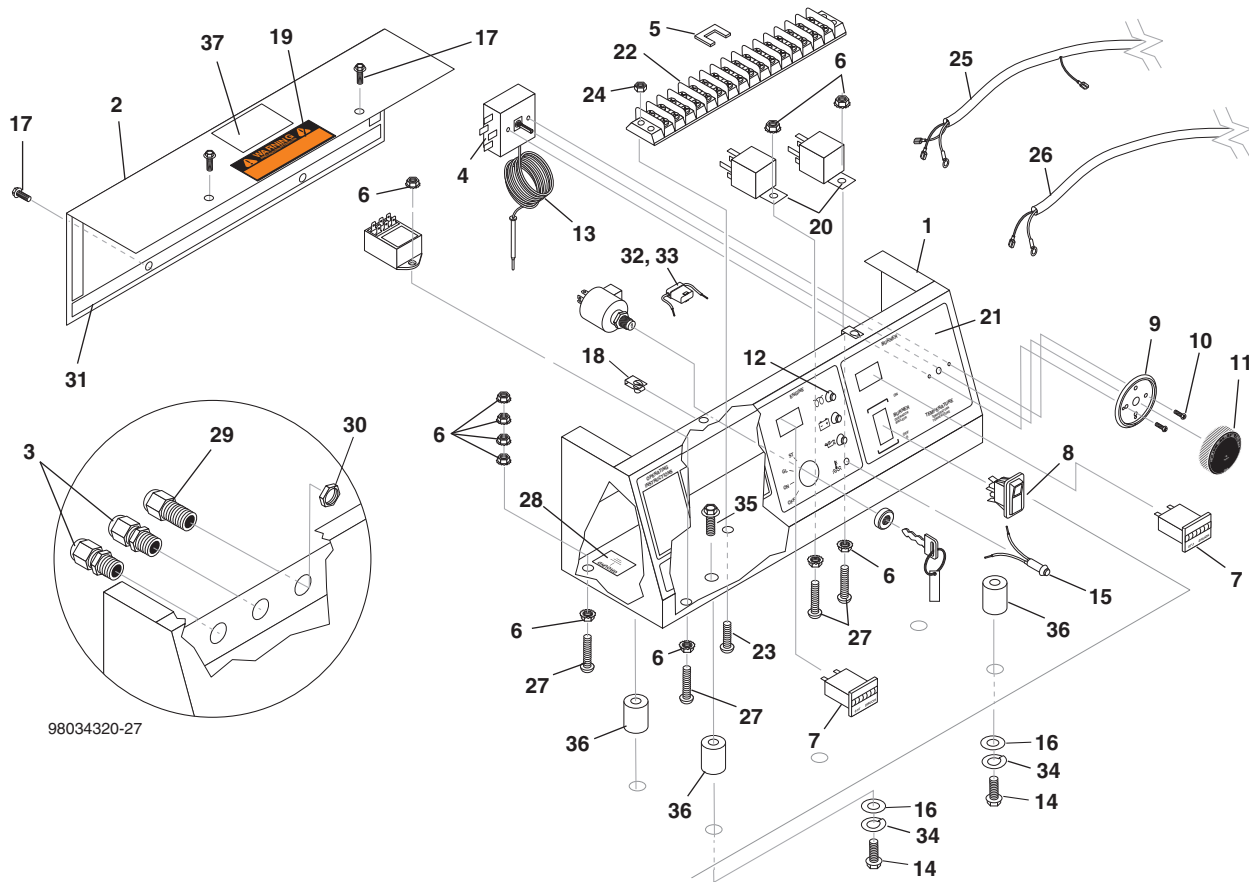
PUMP/UNLOADER ASSEMBLY EXPLODED VIEW



PUMP/UNLOADER ASSEMBLY PARTS LIST

ITEM	PART NO.	DESCRIPTION	QTY	ITEM	PART NO.	DESCRIPTION	QTY
1	8.918-429.0	Hose, 3/8" Pressure	62"	31	8.757-656.0	Adapter Swivel Steel 1/2 JICx3/8 NPTF(M)	1
2	9.802-259.0	Hose, 1/2" Push-On	18"	32	6.390-126.0	Clamp, Hose .46-, .54 ST	3
3	9.802-151.0	Swivel, 1/2" JIC Fem, Push-On	2	33	9.802-779.0	▲ Nut, 3/8" ESNA, NC	2
4	8.918-225.0	Hose, 1/2" x 28" Wire, Pressure	1			▲ Not Shown	
5	8.921-716.0	Pump, KT6036R.2 6.0@3600, 1450 RPM	1				
6	9.802-744.0	Bolt, 10mm x 20mm, Zinc	4				
7	8.754-288.0	Washer, M10, Nord Lock	4				
8	8.757-202.0	Elbow, 3/4" 45° SAE X 1/2" M-NPTF, BRASS	1				
9	8.757-710.0	Tee street brass 1/2" w/ 2 holes 1/8"	1				
10	8.757-509.0	Elbow, 3/4"-16 SAE X 3/8" NPTF(M), STEEL	1				
11	8.757-204.0	Hose Barb, 1/4" BARB X 1/8" M-NPTF, 90°	2				
12	8.923-988.0	Weldment, Pump Rail, SSD	1				
13	8.757-771.0	Pump Protector 1/2 BSPP 145°	1				
14	8.757-205.0	Hose Barb, 1/4" Barb x 1/4" ML Pipe, 90°	1				
15	9.802-187.0	Valve, Steam	1				
16	8.757-391.0	Elbow, 1/2" M SAE x 1/2" NPTF (M)	1				
17	8.757-705.0	Tee street steel 3/8 NPTF	1				
18	8.932-974.0	Label, Open For Steam	1				
19	8.757-719.0	Nipple hex steel 3/8" x 1/4" NPTF	1				
20	9.802-254.0	Hose, Push-On 1/4"	14"				
21	9.802-779.0	▲ Nut, 3/8" ESNA, NC	3				
22	9.802-807.0	▲ Washer, 3/8", SAE Flat Zinc	3				
23	8.753-726.0	Unloader, VRT100 5075 PSI @ 26.4 GPM	1				
24	9.802-869.0	Block Unloader, 1/2" x 1/2", Brass	1				
25	9.802-870.0	▲ Washer, 3/8", SAE Flat Zinc	2				
26	8.757-405.0	Nipple Steel 1/2" X 2-1/2" SCH 80 W/SLNT	1				
27	8.757-363.0	Elbow, 90°, 3/4-16 JIC X 1/2 NPTF (F) 90°1					
28	8.757-508.0	Adapter, 3/4"-16SAE X 1/2" NPTF(M),STEEL	1				
29	8.757-391.0	ELBOW, 1/2" M SAE x 1/2" NPTF (M)	1				
30	8.757-508.0	ADAPTER, 3/4"-16SAE X 1/2" NPTF(M),STEEL	1				

CONTROL BOX EXPLODED VIEW



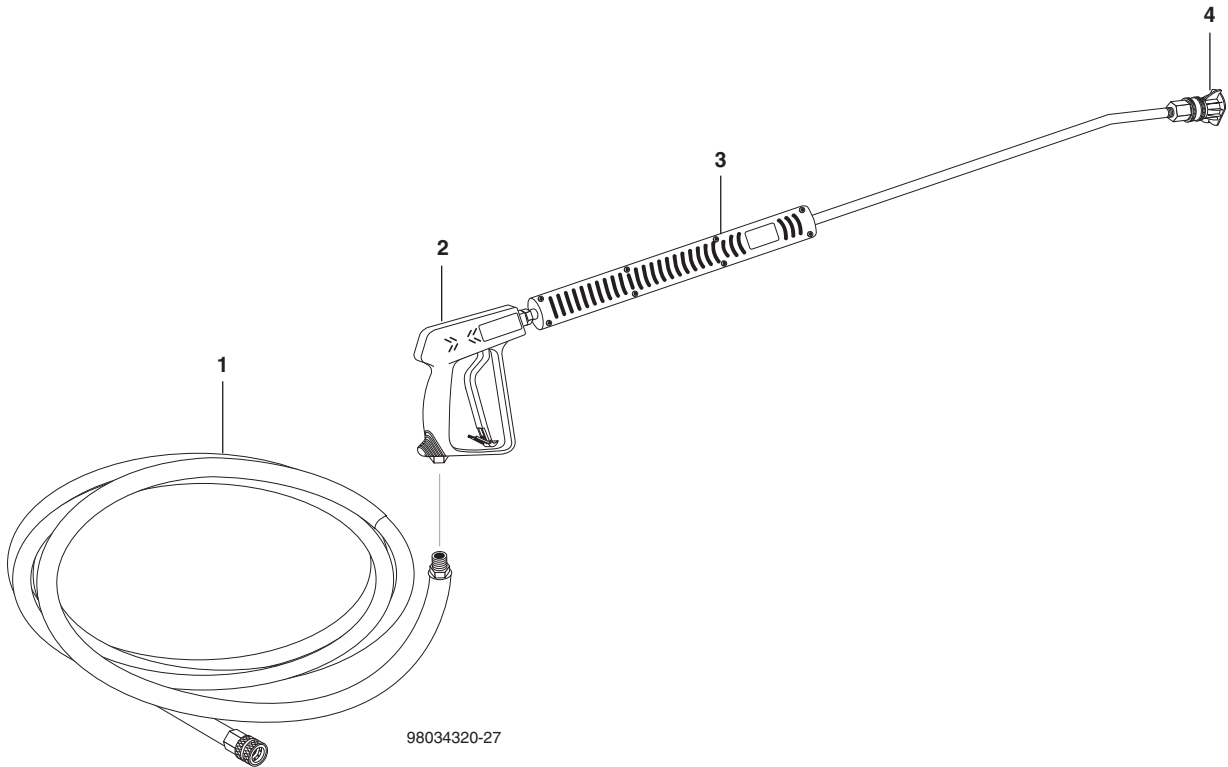
98034320-27

CONTROL PANEL ASSEMBLY PARTS LIST

ITEM	PART NO.	DESCRIPTION	QTY	ITEM	PART NO.	DESCRIPTION	QTY
1	8.923-927.0	Box, Electrical	1	21	9.801-721.0	Label, Contrl Panel, Kubota	1
2	8.923-584.0	Cover, Electrical Box	1	22	9.802-493.0	Block, Terminal, 16 Pole	1
3	9.802-514.0	Strain Relief, LT Str, 1/2" NPT	2	23	9.802-749.0	Screw, 8-32 x 3/4" BH SOC CS	2
4	8.750-094.0	Thermostat, 120C/240F	1	24	9.802-785.0	Nut, 8-32, KEPS	2
5	8.754-268.0	Jumper, Flat	5	25	8.754-714.0	Harness, Cntrl Panel 12V DC (620.0)	1
6	9.802-695.0	Nut, 10-32 KEPS 12V DC (620.0)	12	8.754-963.0	Harness, Cntrl Panel 120V AC (621.0)	1	
		120V AC (621.0)	8	26	8.754-924.0	Harness, Engine	1
7	9.802-283.0	Hour Meter, 24-240VAC	2	27	9.802-762.0	Screw, 10-32 x 1-1/4" 12V DC (620.0)	4
8	8.716-036.0	Switch, Rocker, (620.0) 12V DC	1			120V AC (621.0)	3
	9.802-451.0	Switch, Rocker, (621.0) 120V AC	1	28	9.800-040.0	Label, Ground Symbol	2
9	8.712-190.0	Bezel, Plastic, Thermostat	1	29	9.802-515.0	Strain Relief, LQ Tite 3200	1
10	8.718-779.0	Screw, 4 mm x 6 mm, Pan Head	2	30	9.802-525.0	Lock Nut, 1/2" 8463	1
11	8.750-096.0	Knob, Thermostat 32-248°	1	31	8.712-951.0	Foam Strip	52"
12	8.754-267.0	Light, LED, Green 12VDC	1	32	8.716-223.0	Holder, Fuse. (620.0)	1
13	9.804-072.0	Conduit, Wire Cover	6ft	33	8.716-206.0	▲ Fuse, ATC 30 Amp (620.0)	1
14	9.802-710.0	Screw, 5/16" x 1" NC	4	34	9.802-813.0	Washer, 5/16" Split Ring Lock	4
15	8.754-266.0	Light, LED, Amber, 12VDC	3	35	9.803-277.0	Screw, 5/16" x 1/2" Whiz Loc	4
16	8.718-980.0	Washer, 5/16" Flat SAE	4	36	9.803-532.0	Isolator, Threaded, Fem x Fem	4
17	9.802-753.0	Screw, 1/4"-20 x 3/4"	4	37	8.900-282.0	Label, RPM Factory Set	1
18	8.753-255.0	Nut, Extruded U-Nut 1/4"-20	4				
19	9.800-016.0	Label, Disconnect Power Supply	1				
20	9.802-470.0	Relay, 12V DC (620.0)	2				

▲ Not Shown

HOSE & SPRAY GUN ASSEMBLY



HOSE & SPRAY GUN PARTS LIST

ITEM	PART NO.	DESCRIPTION	QTY
1	8.925-132.0	Hose, 3/8" X 50' 2W 6000PSI SW/SO/CPL	1
2	8.710-384.0	Gun, TST-1500, 5000 PSI	1
3	8.711-293.0	Wand, VP w/Soap Nozzle	1
4	8.712-357.0	Nozzle, 0005.5, Red	1
	8.712-358.0	Nozzle, 1505.5, Yellow	1
	8.712-359.0	Nozzle, 2505.5, Green	1
	8.712-600.0	Nozzle, 4005.5, White	1

SPECIFICATIONS

WAYNE EHASR BURNER SPECIFICATIONS

Model No.	Burner	
	Assy No.	Fuel Nozzle
1.110-620.0	8.756-890.0	8.756-900.0
1.110-621.0	8.756-413.0	8.756-900.0

PART SPECIFICATIONS

PUMP

Machine Model	Pump Model	Part #	Unloader	Pulley	Pulley Part #	Bushing	Bushing Part #	Engine Size	Engine Part#	Engine Pulley	Pulley Part#
1.110-620.0	KT6036	8.921-716.0	9.802-366.0	2BK90H	8.715-593.0	25MM	9.802-403.0	30 HP	8.753-177.0	3TB40	9.802-394.0
1.110-621.0	KT6036	8.921-716.0	9.802-366.0	2BK90H	8.715-593.0	25MM	9.802-403.0	30 HP	8.753-177.0	3TB40	9.802-394.0

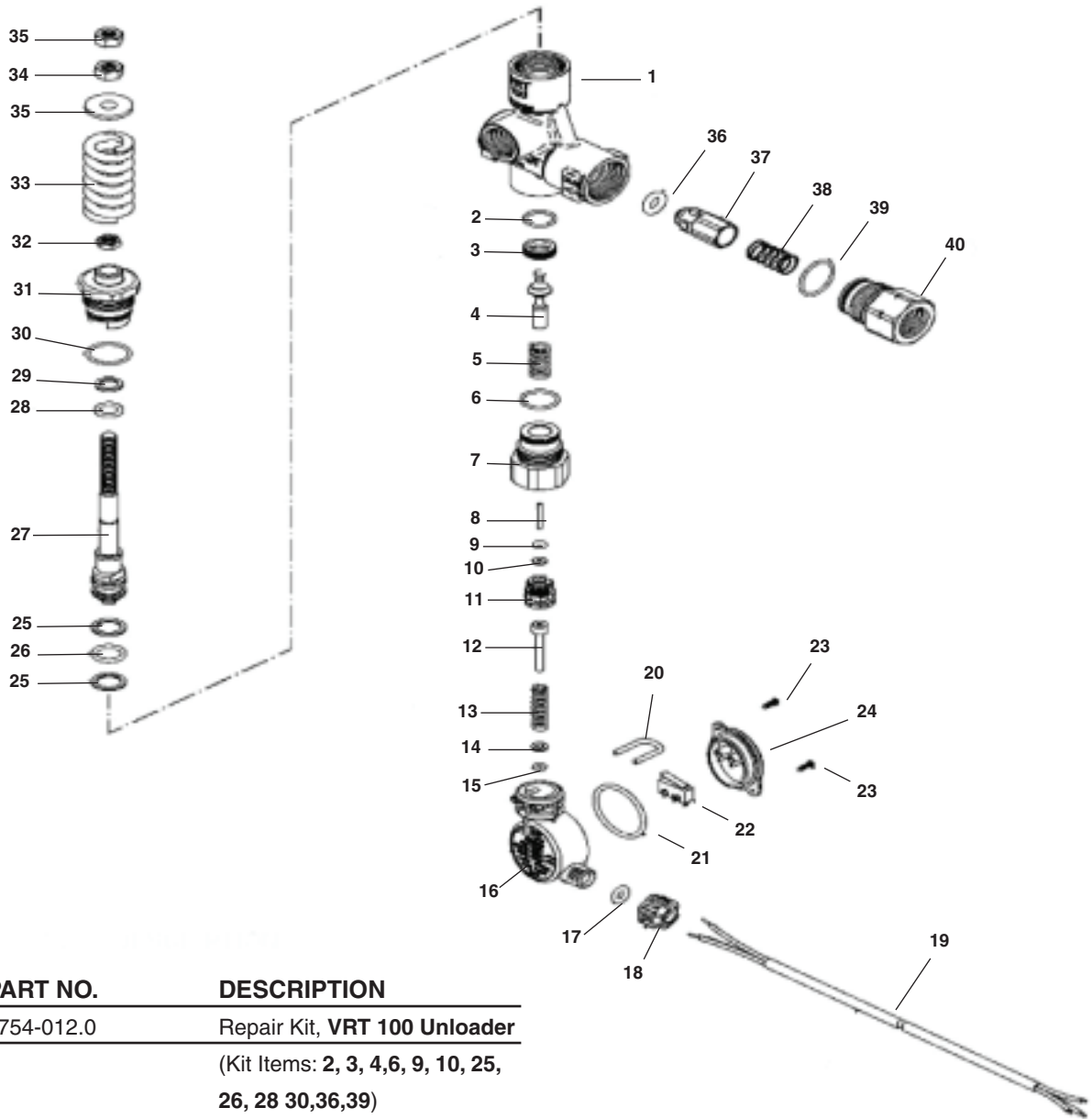
ENGINE (CON'T)

Model (Con't)	Bushing	Bushing Part #	Belt Size	Belt Part #	Pulley	Pulley Part#	Belts	Belt Part #	Bushing	Bushing Part#
1.110-620.0	P2 x 1-7/16	8.715-656.0	BX 34	8.715-695.0	NA	NA	NA	NA	NA	NA
1.110-621.0	P2 x 1-7/16	8.715-656.0	BX 34	8.715-695.0	BK36	9.802-379.0	BX26	8.754-917.0	7/8	8.715-633.0

ENGINE

GENERATOR

VRT100 UNLOADER EXPLODED VIEW AND PARTS LIST



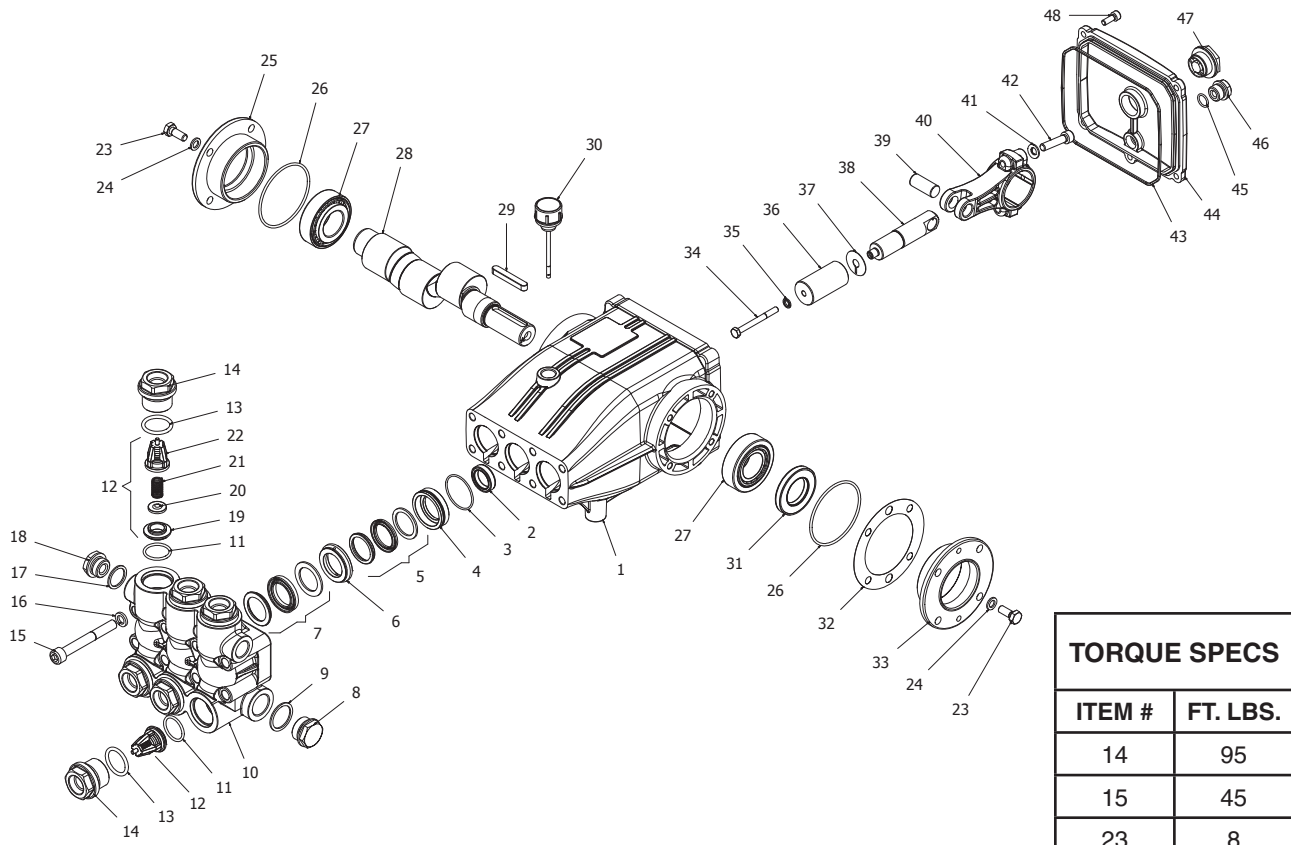
Unloader Adjustment Procedures

1. Remove lock nut (Item 19).
2. Remove adjustment knob (Item 18).
3. Loosen the two (2) nuts (Item 15), move them upward on stem (Item 8) until you see 4 or more threads below the nut.
4. Re-attach adjusting knob (Item 18).
5. Start machine. Open the trigger of the spray gun. Increase pressure by turning adjustment knob (Item 18) clockwise until pressure is at the desired operating pressure.
6. Remove the adjustment knob (Item 18), tighten the lower nut (Item 15) tightly against the upper nut (Item 15). Re-attach adjustment knob (Item 18) and screw down until contact is made with the nuts (Items 15). Screw down lock nut (Item 19) onto the stem (Item 8) until the threads cut into the nylon insert of the lock nut (Item 19).

*If adjustment knob (Item 18) **DOES NOT** make contact with upper nut (Items 15), remove adjusting knob (Item 18), re-adjust (raise) nuts (Items 15) on stem (Item 8) and re-attach adjustment knob (Item 18), then repeat step #6.

If adjustment knob (Item 18) **DOES make contact with upper nut; release the trigger of the spray gun and watch the pressure gauge for the pressure increase ("spike"). This "spike" **SHOULD NOT** exceed 500 psi above the operating pressure. If "spike" pressure exceeds the 500 psi limit, remove the adjusting knob (Item 18) and re-adjust (lower) the nuts (Items 15) on the stem (Item 8). Re-attach the adjusting knob (Item 18), then repeat step #6.

KT.2 SERIES PUMP EXPLODED VIEW



TORQUE SPECS	
ITEM #	FT. LBS.
14	95
15	45
23	8
34	10
42	30
48	8

ST.2 PUMP EXPLODED VIEW PARTS LIST

ITEM	PART NO.	DESCRIPTION	QTY	ITEM	PART NO.	DESCRIPTION	QTY
1	8.752-825.0	Crankcase	1	18	8.707-262.0	Brass Plug 3/8	1
2*	See Kit Below	Plunger Oil Seal	3	19	See Kit Below	Valve Seat	6
3*	See Kit Below	O-Ring Ø1.78 x 37.82	3	20	See Kit Below	Valve Plate	6
4*	See Kit Below	Pressure Ring, 18mm	3	21	See Kit Below	Valve Spring	6
5*	See Kit Below	U-Seal, 18mm	3	22	See Kit Below	Valve Cage	6
6*	See Kit Below	Intermediate Ring, 18mm	3	23	8.752-830.0	Hex Screw	8
7*	See Kit Below	U-Seal, 18mm	3	24	9.802-884.0	Washer	8
8	9.802-926.0	Brass Plug, G1/2	1	25	9.803-182.0	Closed Bearing Housing	1
9	9.803-199.0	Copper Washer 1/2	1	26	9.803-186.0	O-Ring Ø2.62 x 71.12	2
10	8.753-816.0	Manifold Housing	1	27	9.803-160.0	Roller Bearing	2
11*	9.804-498.0	O-Ring Ø2.62 x 25.1	6	28	8.753-818.0	Crankshaft Ø25 (4540)	1
12*	See Kit Below	Valve Assembly	6		8.752-827.0	Crankshaft Ø25 (6036)	1
13*	9.803-193.0	O-Ring 3068	6	29	9.803-167.0	Crankshaft Key	1
14	9.802-928.0	Valve Plug	6	30	8.752-834.0	Oil Dip Stick	1
15	8.753-817.0	Manifold Stud Bolt	8	31	9.803-139.0	Crankshaft Seal	1
16	9.802-890.0	Lock Washer	8	32	9.803-177.0	Shim	2
17	8.719-008.0	Copper Washer 3/8	1				

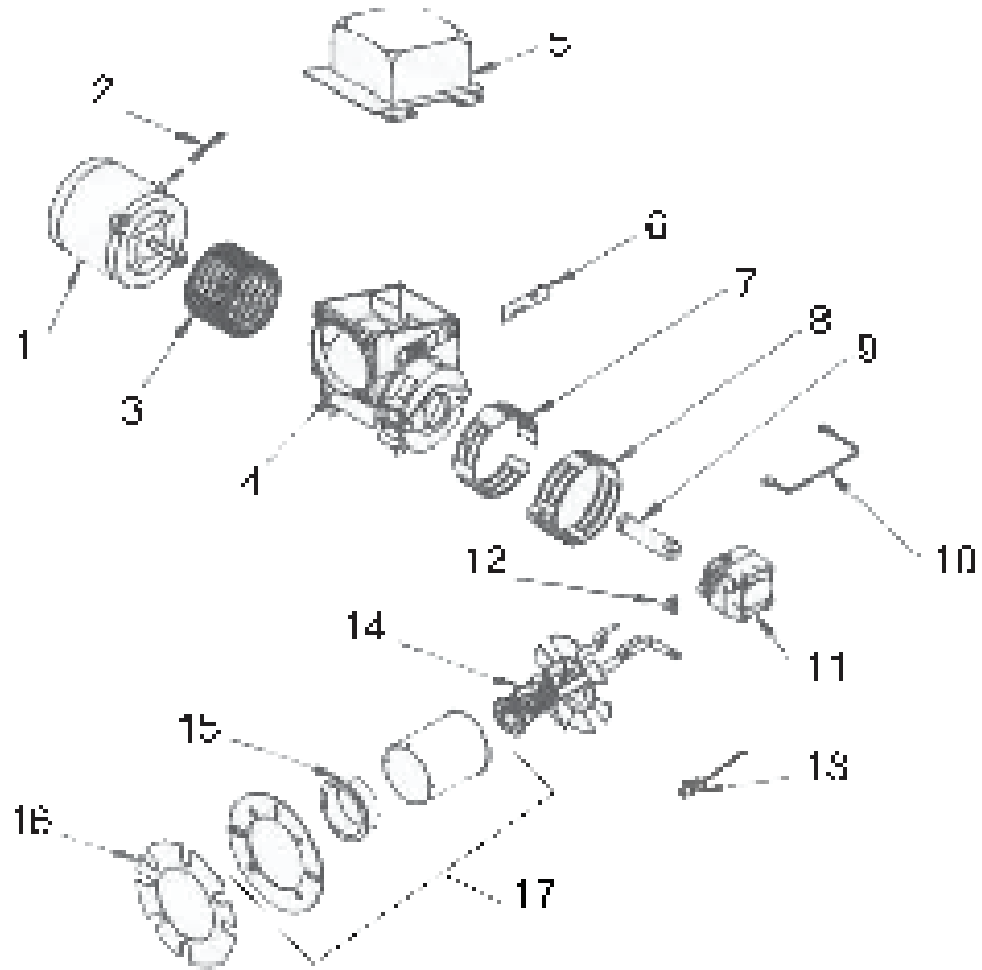
KT.2 SERIES PUMP EXPLODED VIEW PARTS LIST

ITEM	PART NO.	DESCRIPTION	QTY
33	9.803-181.0	Bearing Housing	1
34*	8.752-841.0	Plunger Bolt	3
35*	8.752-820.0	Bonded Seal	3
36*	8.753-819.0	Plunger, 18mm	3
37*	8.752-823.0	Copper Spacer	3
38	8.753-820.0	Plunger Rod	3
39	8.752-822.0	Connecting Rod Pin	3
40	8.752-821.0	Connecting Rod	3
41	9.802-889.0	Spring Washer	6
42	9.802-937.0	Connecting Rod Screw	6
43	9.803-194.0	O-Ring Ø2.62 x 152.07	1
44	8.752-826.0	Crankcase Cover	1
45	9.803-906.0	O-Ring Ø1.78 x 14.00	1
46	8.707-262.0	Brass Plug G3/8	1
47	9.803-202.0	Sight Glass G3/4	1
48	8.752-824.0	Cover Screw	5

Available in kit (See below)

KIT NUMBERS	8.753-821.0	8.753-822.0	8.753-823.0	8.753-824.0	8.752-835.0
KIT DESCRIPTION	Plunger Seals 18 mm	Seal Packing 18 mm	Plunger 18 mm	Complete Valve	Plunger Oil Seals
ITEMS NUMBERS INCLUDED	3, 5, 7	3, 4, 5, 6, 7,	34, 35, 36, 37	11, 12, 13	2
NO. OF CYLINDERS KIT WILL SERVICE	3	1	1	6	3

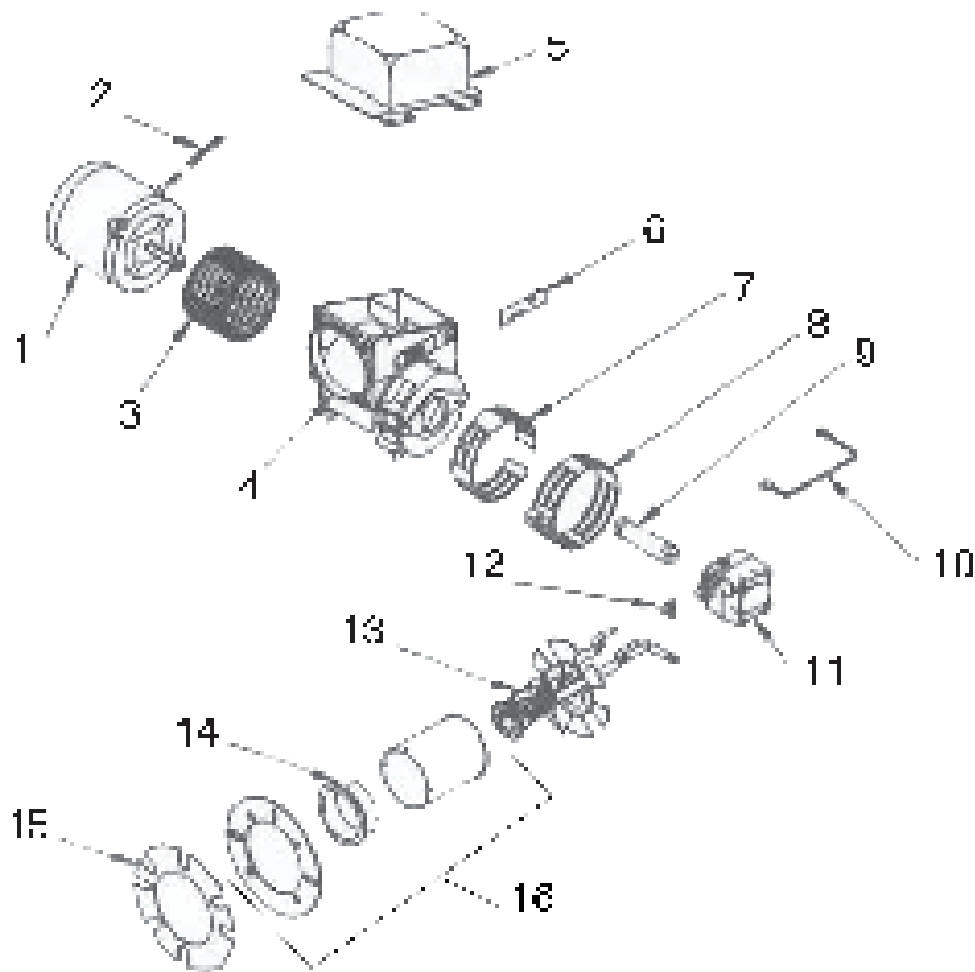
WAYNE EHASR DC EXPLODED VIEW



WAYNE EHASR DC PARTS LIST

ITEM	PART NO.	DESCRIPTION	QTY	ITEM	PART NO.	DESCRIPTION	QTY
1	8.756-716.0	Motor, 1/4 13.5VDC AMETEK	1	14	8.756-299.0	Gun Assembly, Burner-RG/*CST/GBB (Less than 5 GPM units)	1
2	13121	Motor Cord Cover	1	-	8.756-879.0	Gun-RG/SST/2"BB2 (5+ GPM Units)	1
3	8.756-726.0	Fan, 3.44"W X 5.25"D 5/16" Bore	1	15	8.700-724.0	Air Cone #4A	1
4	8.700-735.0	Burner Housing-Painted	1	16	8.700-692.0	Gasket E & M Series Burners	2
5	9.107-507.0	Ignitor, 12VDC, Low Amp	1	17	8.756-305.0	Flange, Air Tube, Welded 1.75" "E"	1
6	13392	Slot Cover Plate	1	18	2794-011	▲ Pedestal	1
7	8.700-732.0	Air Band - Inner 8 Slot	1	19	8.700-770.0	▲ Electrode Assembly Replacement Kit	1
8	8.700-729.0	Air Band - Outer 8 Slot	1	20	8.757-835.0	▲ Kit - plate, Cad-Cell, Igniter, & dropout timer subassembly replacement (items 5, & 13 +plate)	1
9	8.756-715.0	Coupling - A/B Pump	1			▲ Not Shown	
10	8.700-704.0	Oil Line Assembly	1				
11	8.756-437.0	Pump, Combo 12V/24V	1				
12	13494	Brass 90° Elbow	1				
13	8.700-819.0	Cad Cell	1				
-	8.756-661.0	Timer, Drop Out	1				

WAYNE EHASR AC EXPLODED VIEW



WAYNE EHASR AC PARTS LIST

ITEM	PART NO.	DESCRIPTION	QTY	ITEM	PART NO.	DESCRIPTION	QTY
1	8.756-436.0	Motor, 1/4 120V 50-60HZ	1	12	13494	Brass 90° Elbow	1
2	13121	Motor Cord Cover	1	13	8.756-299.0	Gun Assembly, Burner-RG/*CST/GBB (Less than 5 GPM units)	1
3	8.756-438.0	Fan 4.00"W X 6.25"D 1/2" Bore	1	-	8.756-879.0	Gun-RG/SST/2"BB2 (5+ GPM Units)	1
4	8.700-735.0	Burner Housing-Painted	1	14	8.700-724.0	Air Cone #4A	1
5	8.700-802.0	Ignitor, 120V, Side/EH-EHA Mount	1	15	8.700-692.0	Gasket E & M Series Burners	2
6	13392	Slot Cover Plate	1	16	8.756-305.0	Flange, Air Tube, Welded 1.75" "E"	1
7	8.700-732.0	Air Band - Inner 8 Slot	1	17	2794-011	▲ Pedestal	1
8	8.700-729.0	Air Band - Outer 8 Slot	1	18	8.700-770.0	▲ Electrode Assembly Replacement Kit	1
9	8.756-715.0	Coupling - A/B Pump	1			▲ Not Shown	
10	8.700-704.0	Oil Line Assembly	1				
11	8.756-437.0	Pump, Combo 12V/24V	1				